



US00D456362S

(12) **United States Design Patent** (10) **Patent No.:** **US D456,362 S**
Lee (45) **Date of Patent:** **** Apr. 30, 2002**

(54) **CONNECTOR GRIP**

(75) Inventor: **Kendrew Lee**, Fremont, CA (US)

(73) Assignee: **Monster Cable Products, Inc.**,
Brisbane, CA (US)

(**) Term: **14 Years**

(21) Appl. No.: **29/142,469**

(22) Filed: **May 25, 2001**

(51) **LOC (7) Cl.** **13-03**

(52) **U.S. Cl.** **D13/154**

(58) **Field of Search** 439/245, 277,
439/271, 275, 587; 174/84 C, 135, 73.1,
65 G; D13/154, 156; D8/399

(56) **References Cited**

U.S. PATENT DOCUMENTS

3,808,352	A	*	4/1974	Johnson	174/135
5,130,495	A	*	7/1992	Thompson	174/73.1
5,300,734	A	*	4/1994	Suzuki	174/135
5,636,955	A	*	6/1997	Hathaway et al.	174/65 G
D442,918	S	*	5/2001	Knight	D13/154

* cited by examiner

Primary Examiner—Jennifer Rivard
(74) *Attorney, Agent, or Firm*—LaRiviere, Grubman & Payne, LLP

(57) **CLAIM**

The ornamental design for a connector grip, as shown and described.

DESCRIPTION

A portion of the disclosure of this design patent document contains material to which a claim of copyright protection is made. The copyright owner has no objection to the facsimile reproduction of the patent document or the patent disclosure as it appears in the U.S. Patent and Trademark office file or records, but reserves all other rights.

FIG. 1 is a perspective view of a connector grip, in accordance with the present invention.

FIG. 2 is another perspective view thereof.

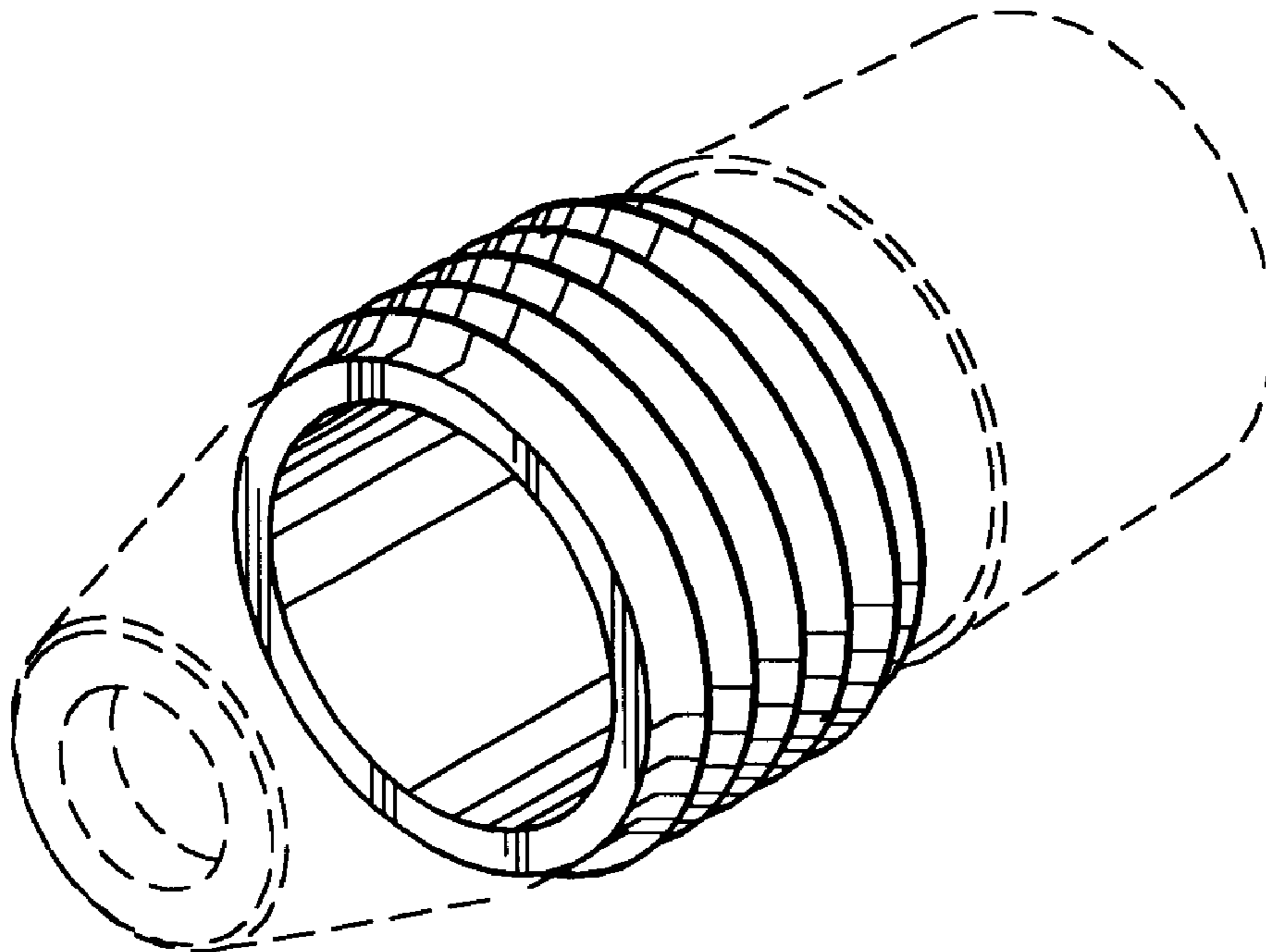
FIG. 3 is a top view thereof.

FIG. 4 is a frontal view thereof; and,

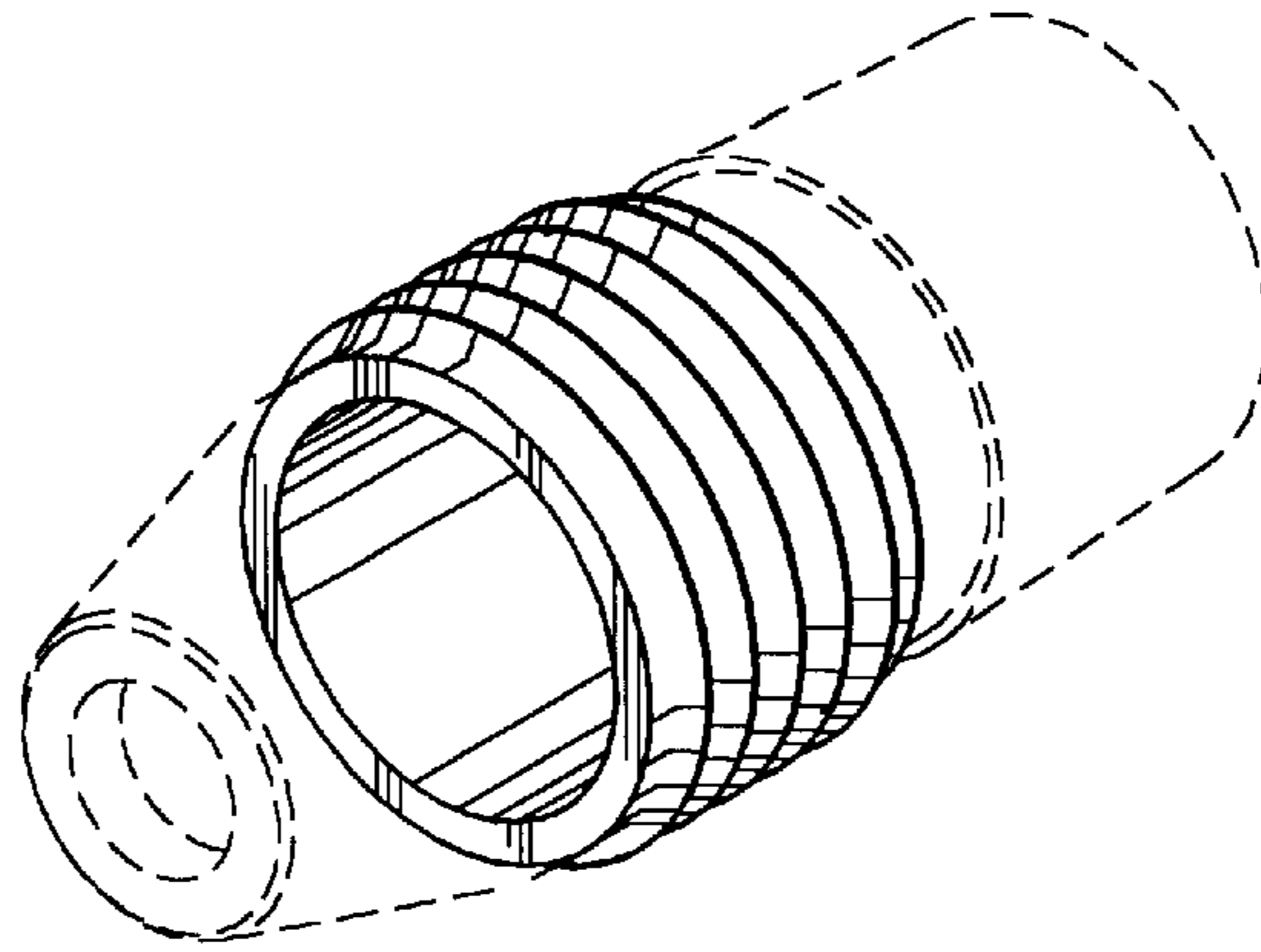
FIG. 5 is another top view thereof.

The broken lines showing the environment in FIGS. 1 & 5 are for illustrative purposes only and form no part of the claimed design.

1 Claim, 2 Drawing Sheets

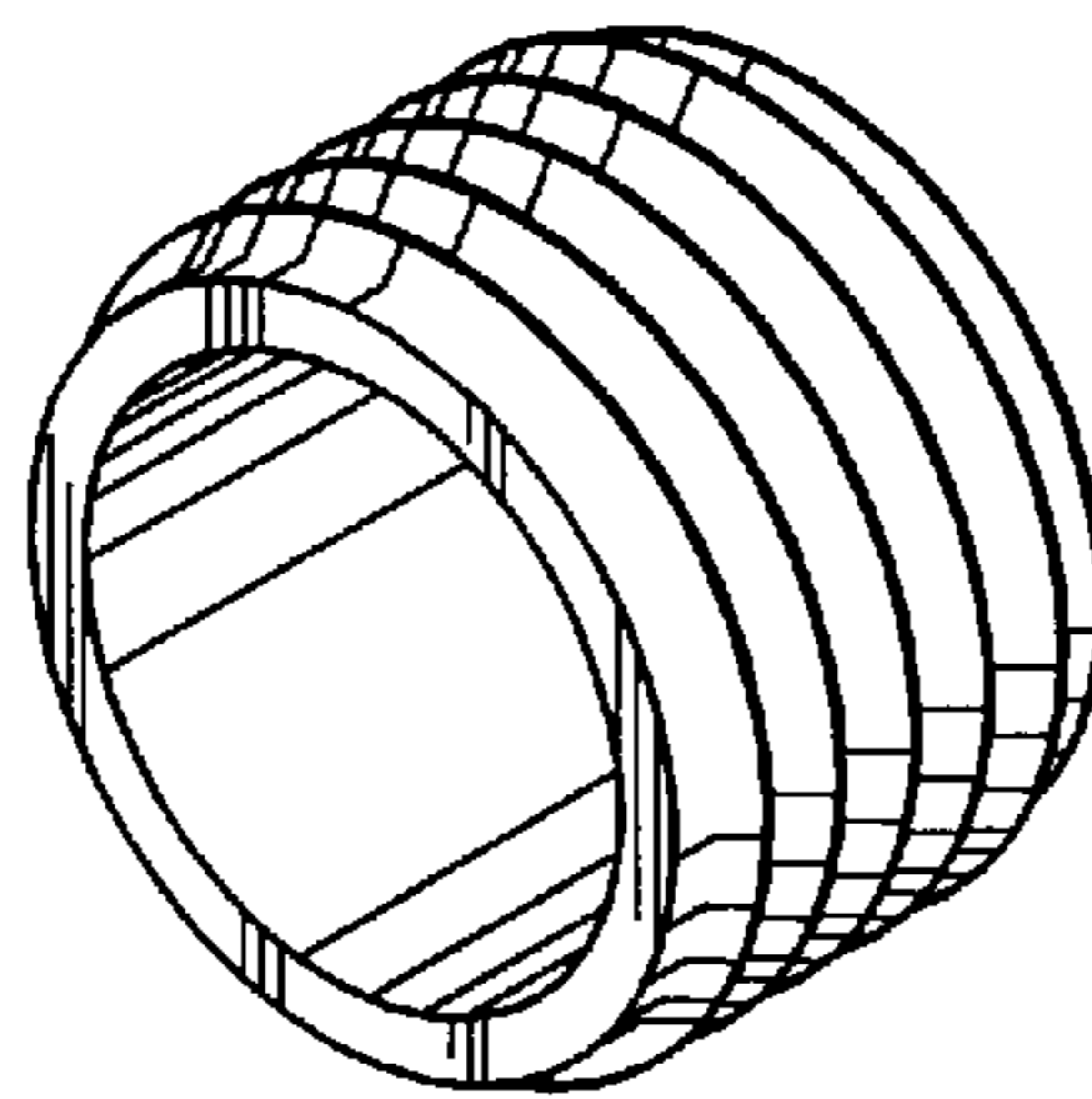


© 2001 MONSTER CABLE PRODUCTS, INC.



© 2001 MONSTER CABLE PRODUCTS, INC.

Figure 1



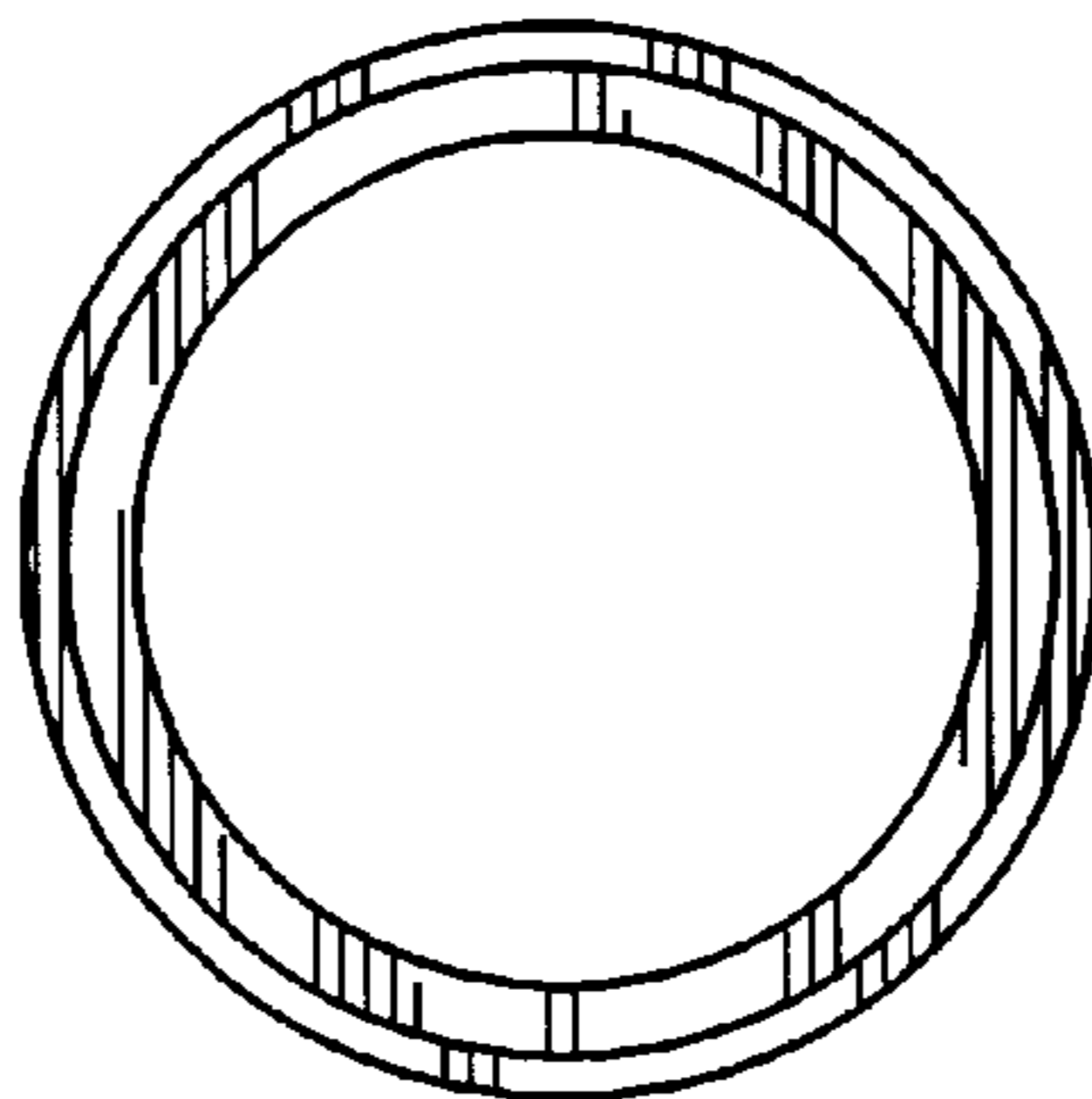
© 2001 MONSTER CABLE PRODUCTS, INC.

Figure 2



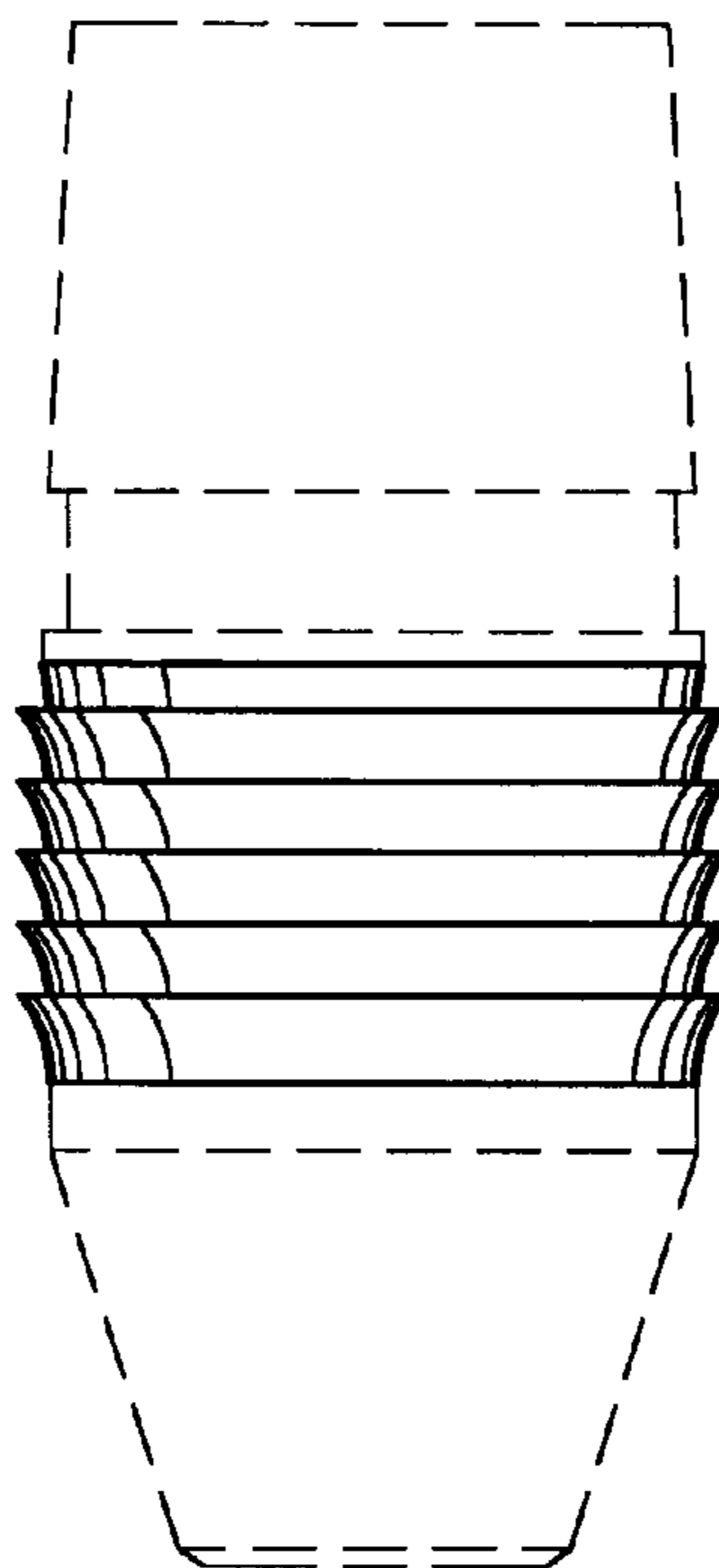
© 2001 MONSTER CABLE PRODUCTS, INC.

Figure 3



© 2001 MONSTER CABLE PRODUCTS, INC.

Figure 4



© 2001 MONSTER CABLE PRODUCTS, INC.

Figure 5