



US00D456361S

(12) **United States Design Patent**
Troxell

(10) **Patent No.:** **US D456,361 S**

(45) **Date of Patent:** **** Apr. 30, 2002**

(54) **UNIVERSAL CORD GRIP**

D368,649 S * 4/1996 Smartnick D8/356

(75) Inventor: **Donald L. Troxell**, Fillmore, CA (US)

* cited by examiner

(73) Assignee: **Michael R. Farrell**, Ventura, CA (US)

Primary Examiner—Jennifer Rivard

(**) Term: **14 Years**

(74) *Attorney, Agent, or Firm*—Marvin E. Jacobs

(21) Appl. No.: **29/140,062**

(57) **CLAIM**

(22) Filed: **Apr. 10, 2001**

The ornamental design for universal cord grip, as shown and described.

Related U.S. Application Data

DESCRIPTION

(63) Continuation-in-part of application No. 09/439,674, filed on Nov. 15, 1999, now abandoned

FIG. 1 is a front elevational view the invention;
FIG. 2 is a right side elevational view of the invention shown in FIG. 1;

(60) Provisional application No. 60/119,503, filed on Feb. 10, 1999.

FIG. 3 is a left side elevational view on the invention as shown in FIG. 1;

(51) **LOC (7) Cl.** **13-03**

FIG. 4 is a rear elevational view of the invention as shown in FIG. 1;

(52) **U.S. Cl.** **D13/154**

FIG. 5 is a top plan view of the invention as shown in FIG. 1;

(58) **Field of Search** D13/154; 439/368, 439/369, 371, 370; 24/129 R, 130; D8/356

FIG. 6 is a bottom plan view of the invention as shown in FIG. 1; and,

(56) **References Cited**

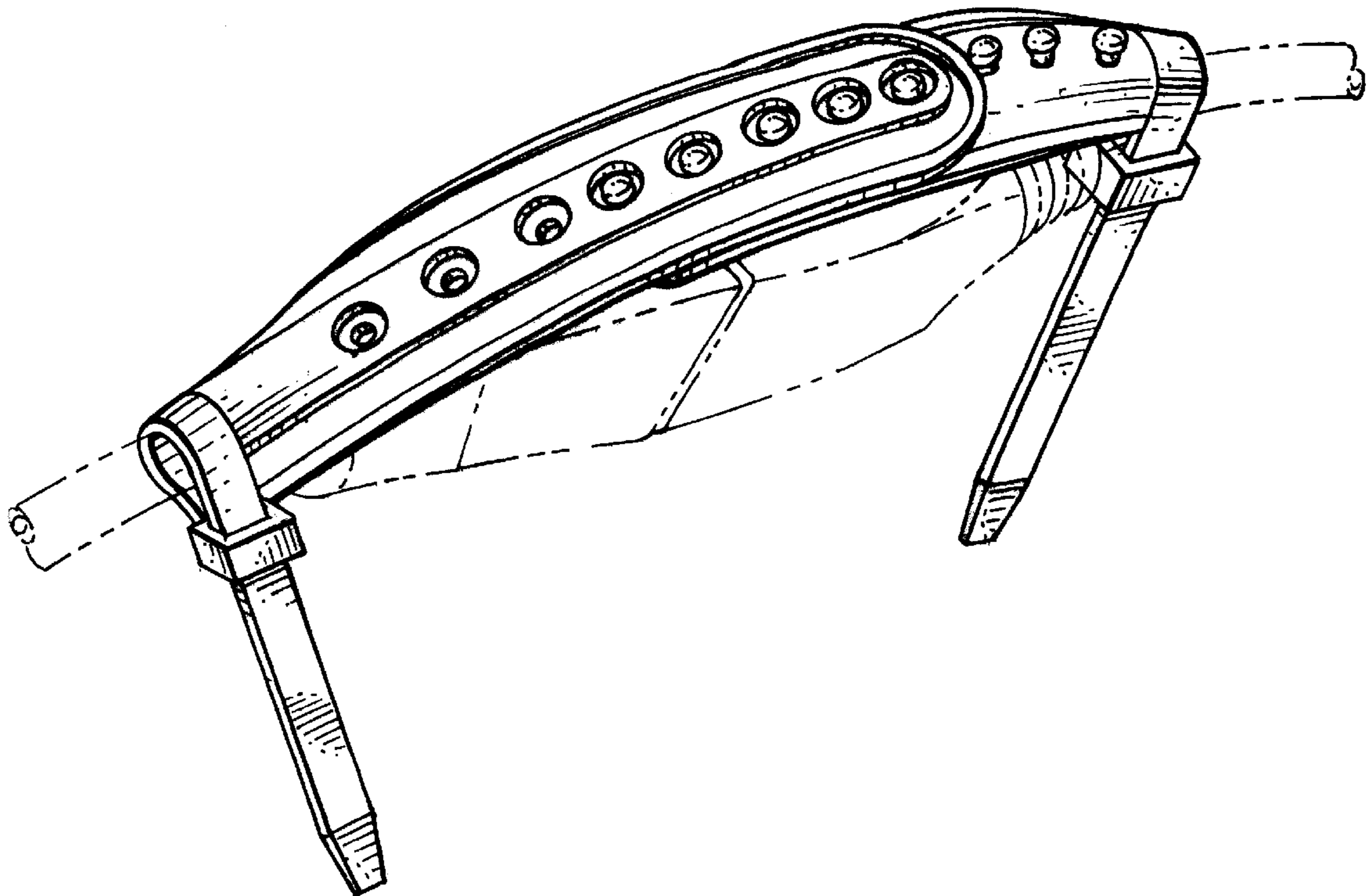
FIG. 7 is a perspective view of the invention.

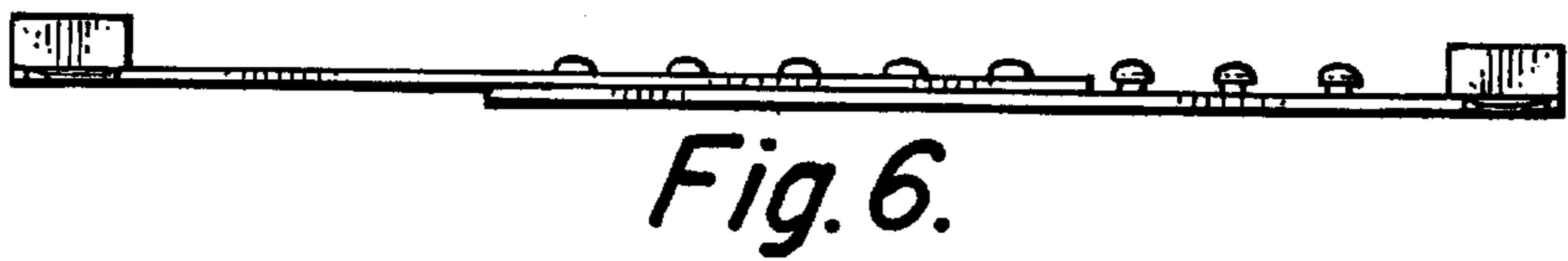
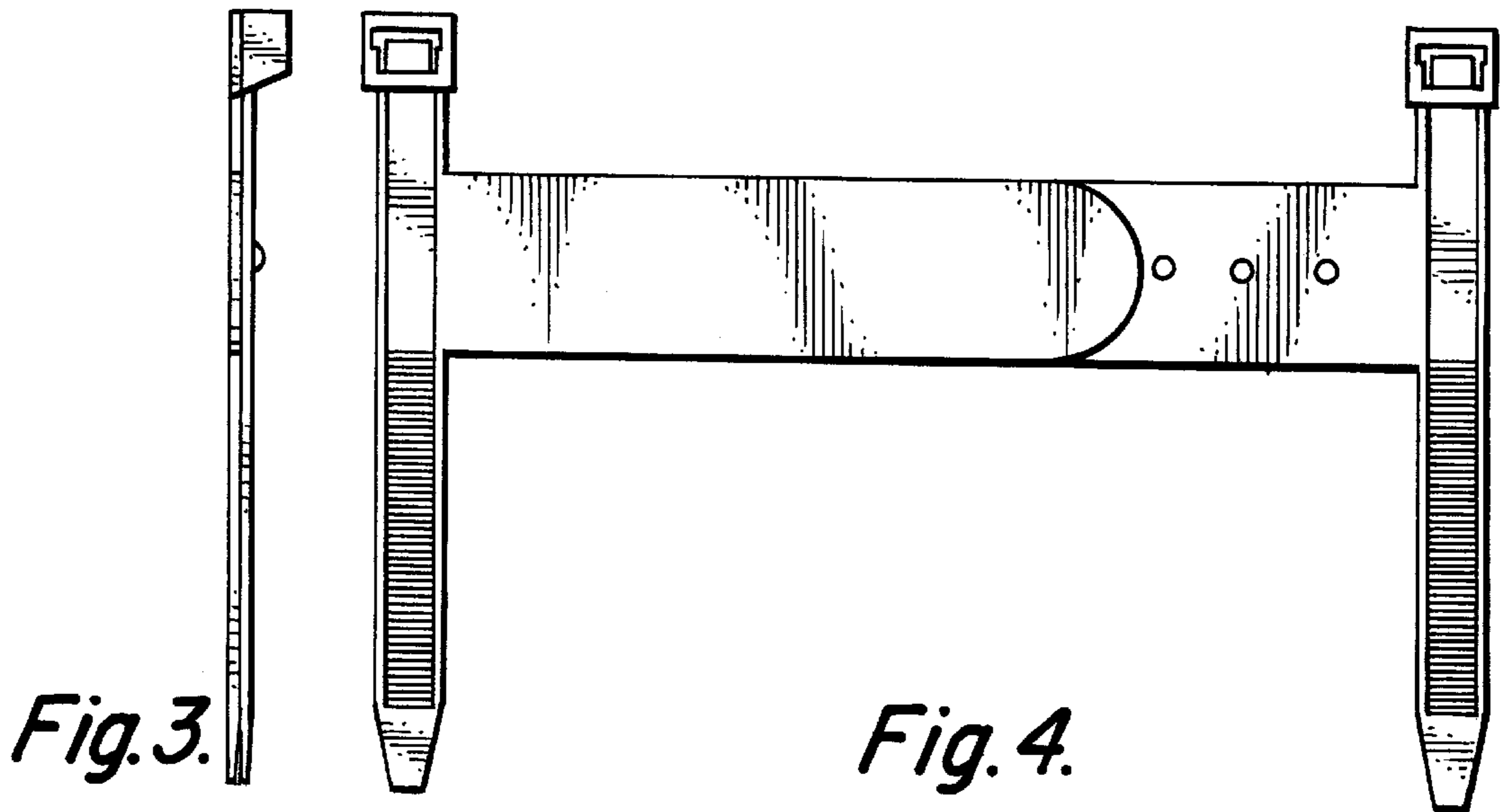
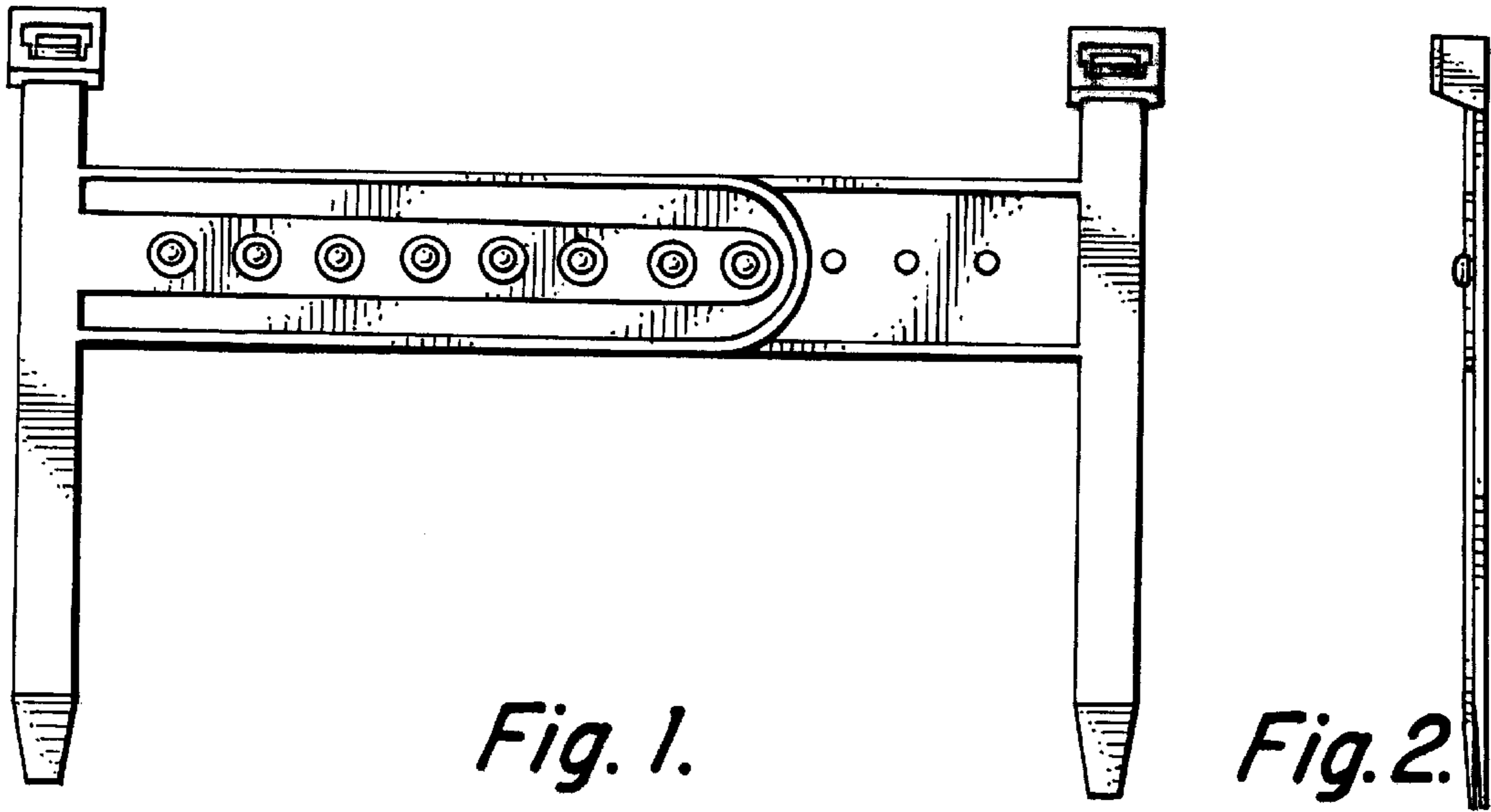
U.S. PATENT DOCUMENTS

The broken line environmental showing is for illustrative purposes only and forms no part of the claimed design.

4,898,542 A * 2/1990 Jones 439/371
5,104,335 A * 4/1992 Conley et al. 439/369

1 Claim, 2 Drawing Sheets





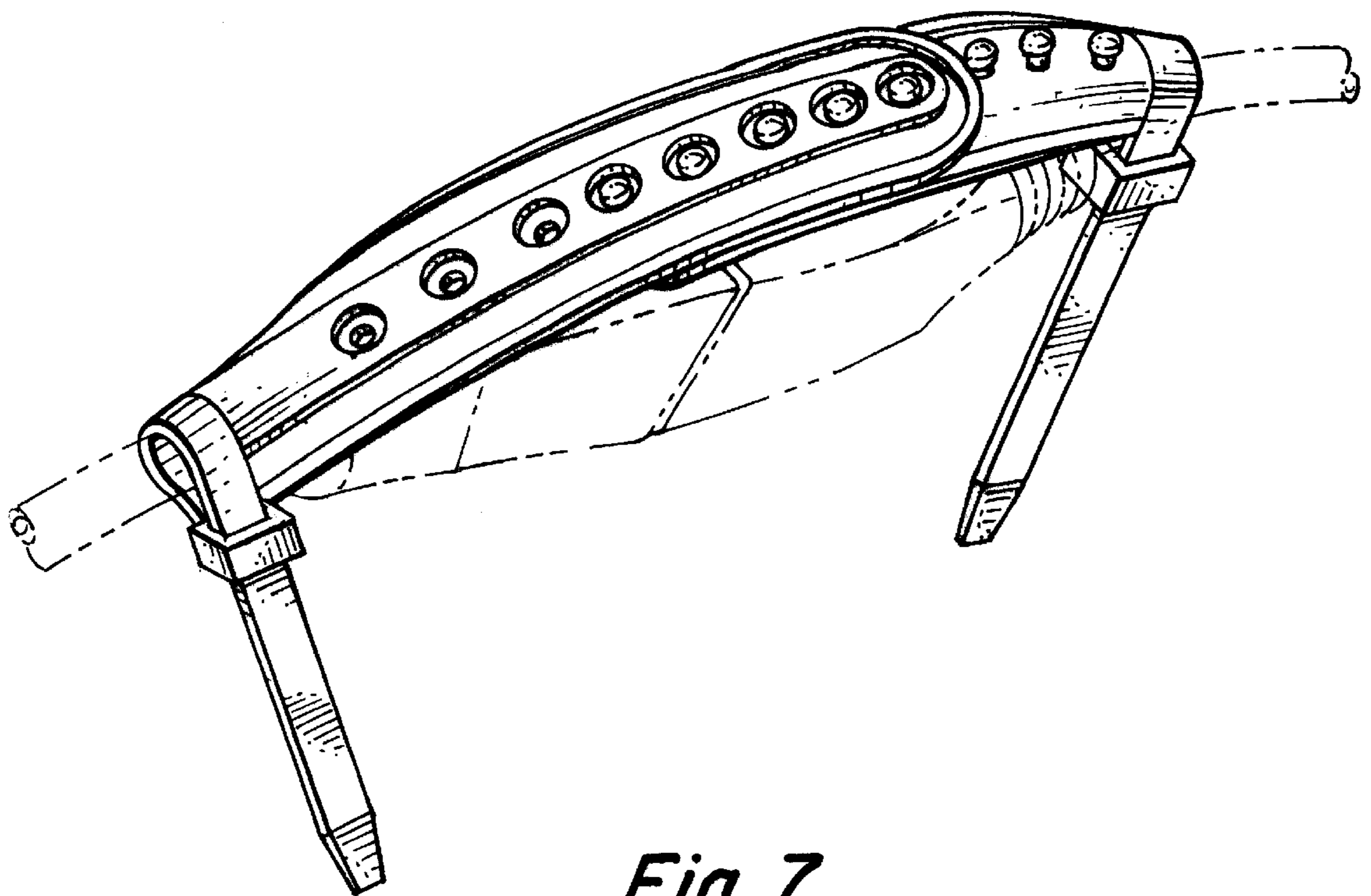


Fig. 7.