



US00D456357S

(12) **United States Design Patent**  
**Gershfeld**

(10) **Patent No.:** **US D456,357 S**

(45) **Date of Patent:** **\*\* Apr. 30, 2002**

(54) **TOWER SHAPED INTERCONNECT ENCLOSURE FOR COMPUTER AND AUDIO VISUAL EQUIPMENT CONCEALABLE IN FURNITURE**

(76) **Inventor:** **Jack Gershfeld**, 615 Del Rio Way, Fullerton, CA (US) 92835

(\*\*) **Term:** **14 Years**

(21) **Appl. No.:** **29/143,529**

(22) **Filed:** **Jun. 18, 2001**

(51) **LOC (7) Cl.** ..... **13-03**

(52) **U.S. Cl.** ..... **D13/139.4**

(58) **Field of Search** ..... D13/139.4, 139.6-139.8; 439/131, 135, 142, 650-654; 174/48, 49, 53, 58

(56) **References Cited**

**U.S. PATENT DOCUMENTS**

- 5,351,173 A \* 9/1994 Byrne ..... 439/131 X
- D442,143 S \* 5/2001 Gershfeld ..... D13/139.4
- 6,234,812 B1 \* 5/2001 Ivers et al. .... 439/131

\* cited by examiner

*Primary Examiner*—Jennifer Rivard

(74) *Attorney, Agent, or Firm*—Vladimir Khiterer

(57) **CLAIM**

The ornamental design for a tower shaped interconnect enclosure for computer and audio visual equipment concealable in furniture, as shown and described.

**DESCRIPTION**

FIG. 1 is a perspective view of a tower shaped interconnect

enclosure for computer and audio visual equipment concealable in furniture in the open position. The broken lines are to illustrate an environment only and form no part of the claimed design.

FIG. 2 is a perspective view thereof in the concealed position. The broken lines are to illustrate an environment only and form no part of the claimed design.

FIG. 3 is a front elevational view thereof in the open position. The broken lines are to illustrate an environment only and form no part of the claimed design.

FIG. 4 is a front elevational view thereof in the concealed position. The broken lines are to illustrate an environment only and form no part of the claimed design.

FIG. 5 is a back elevational view thereof in the open position. The broken lines are to illustrate an environment only and form no part of the claimed design.

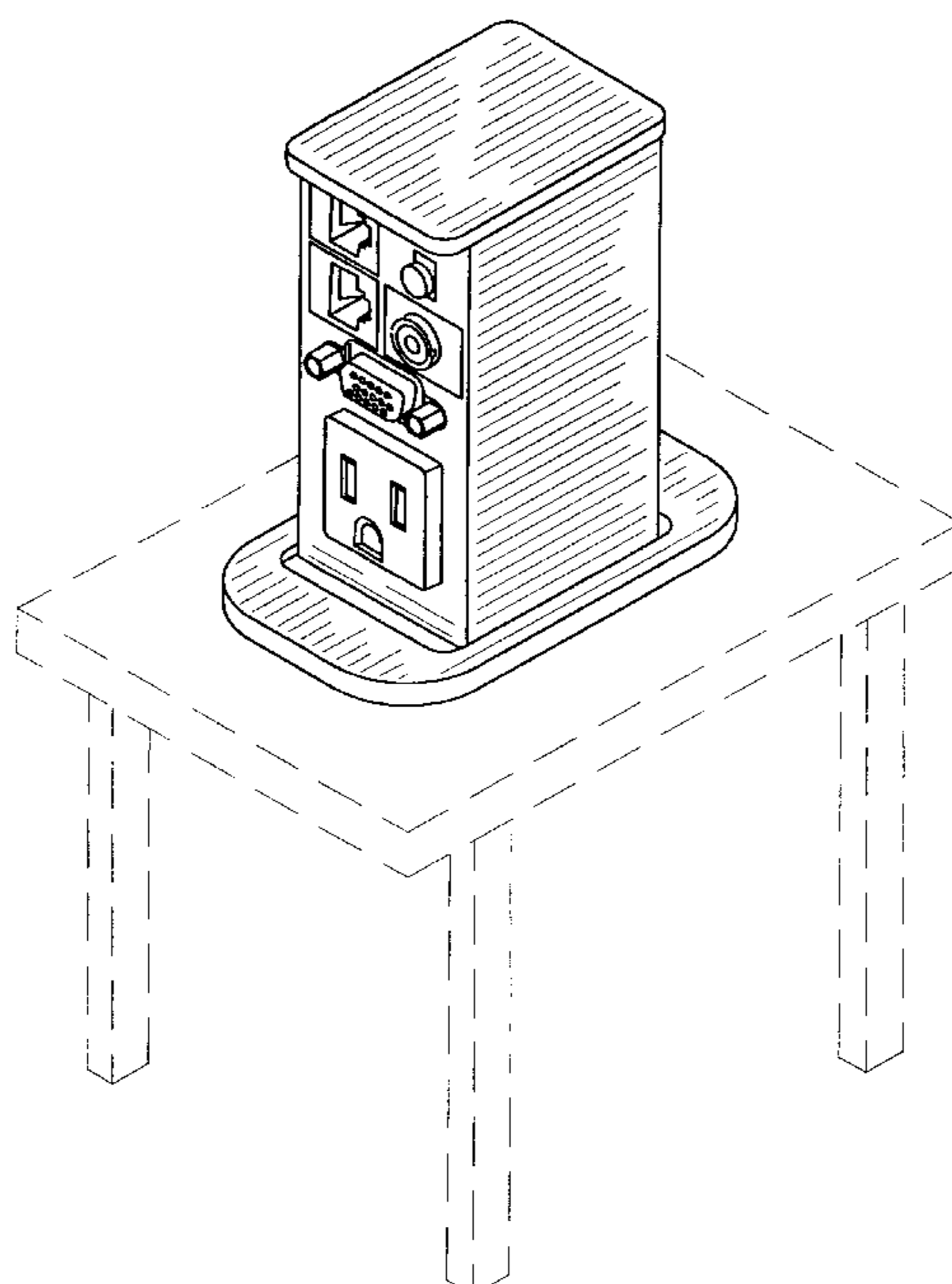
FIG. 6 is a left side elevational view thereof in the open position. The broken lines are to illustrate an environment only and form no part of the claimed design.

FIG. 7 is a right side elevational view thereof in the open position. The broken lines are to illustrate an environment only and form no part of the claimed design; and,

FIG. 8 is a top plan view thereof.

The appearance of the bottom forms no part of the claimed design.

**1 Claim, 8 Drawing Sheets**



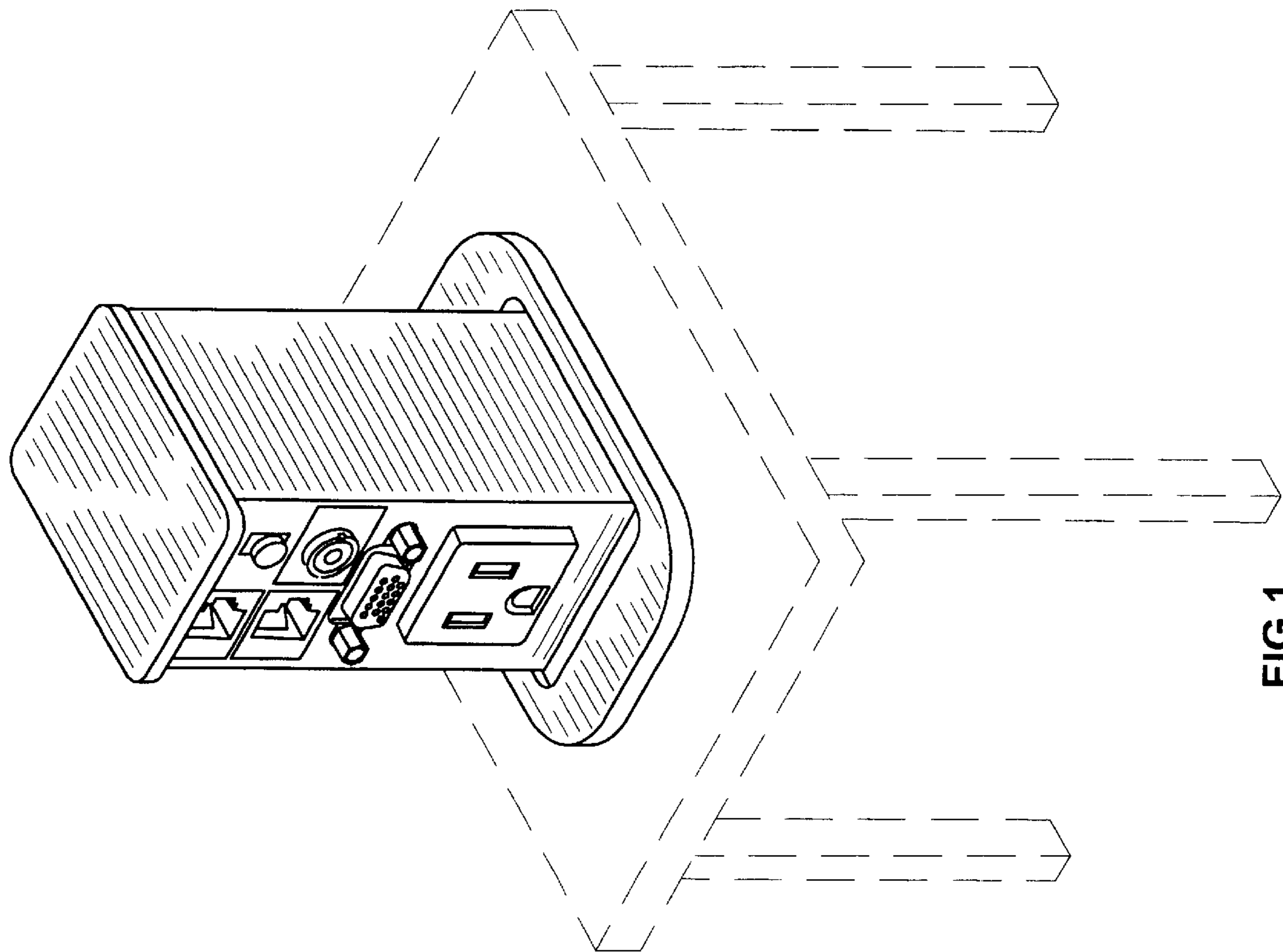


FIG. 1

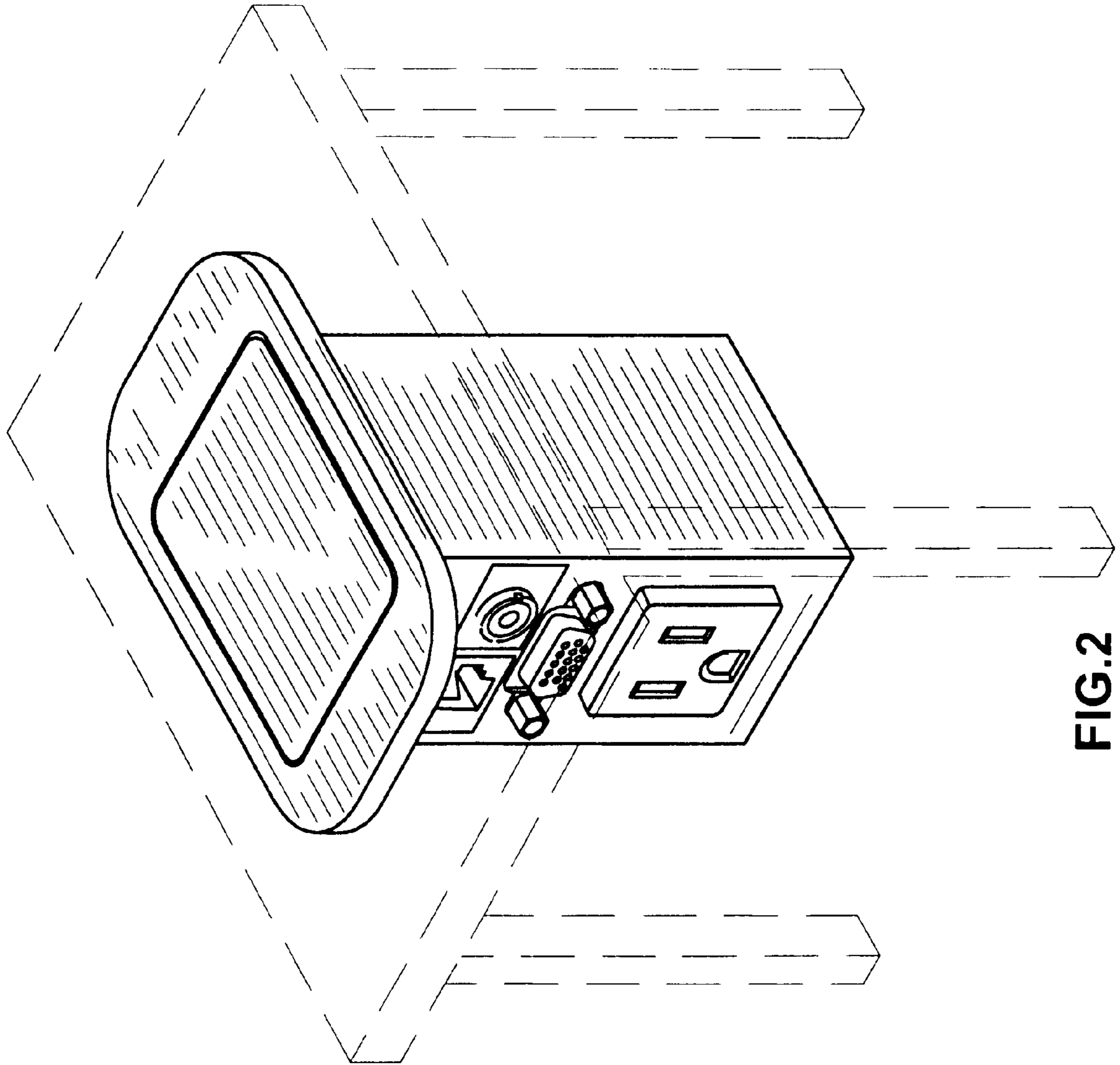


FIG.2

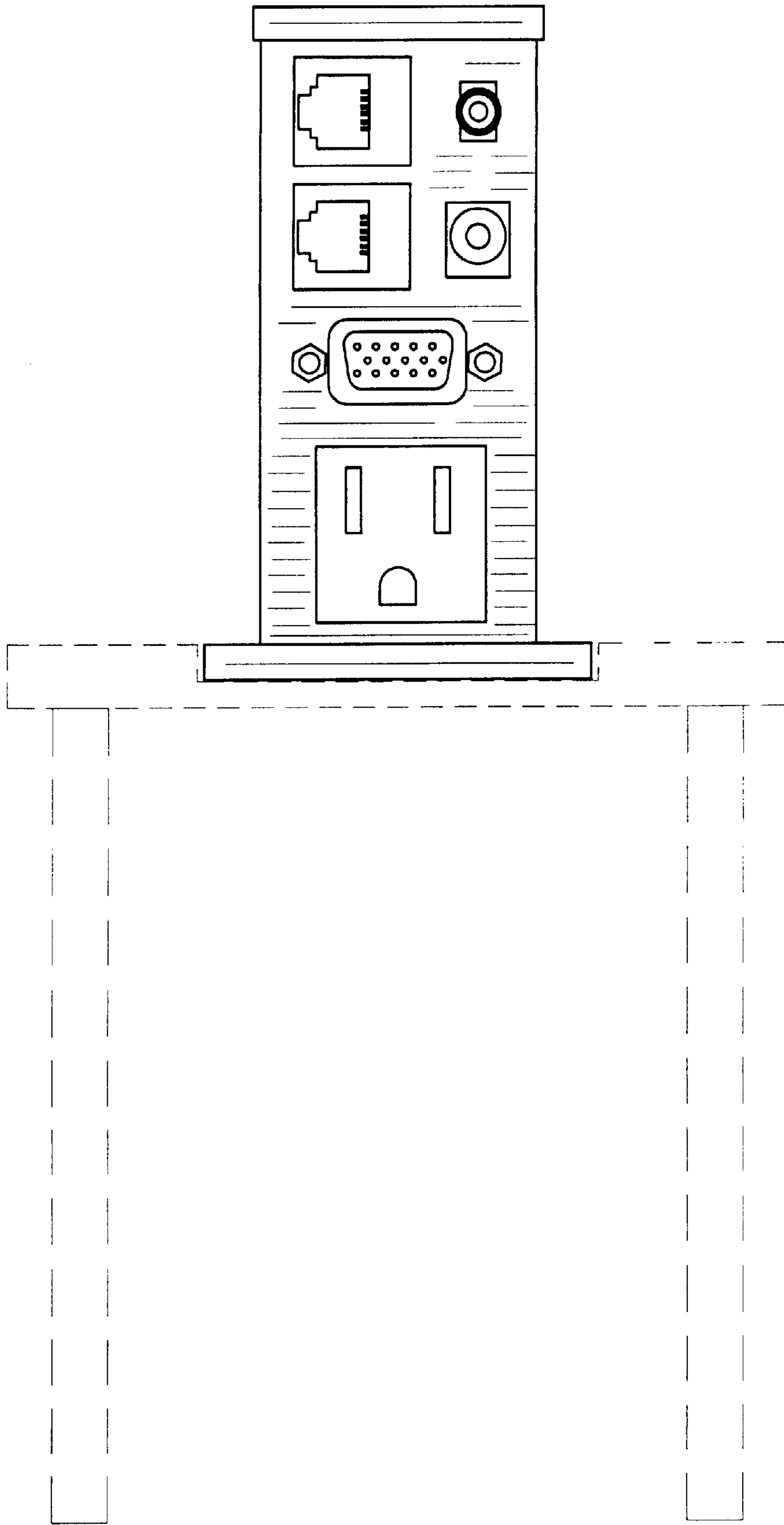


FIG.3

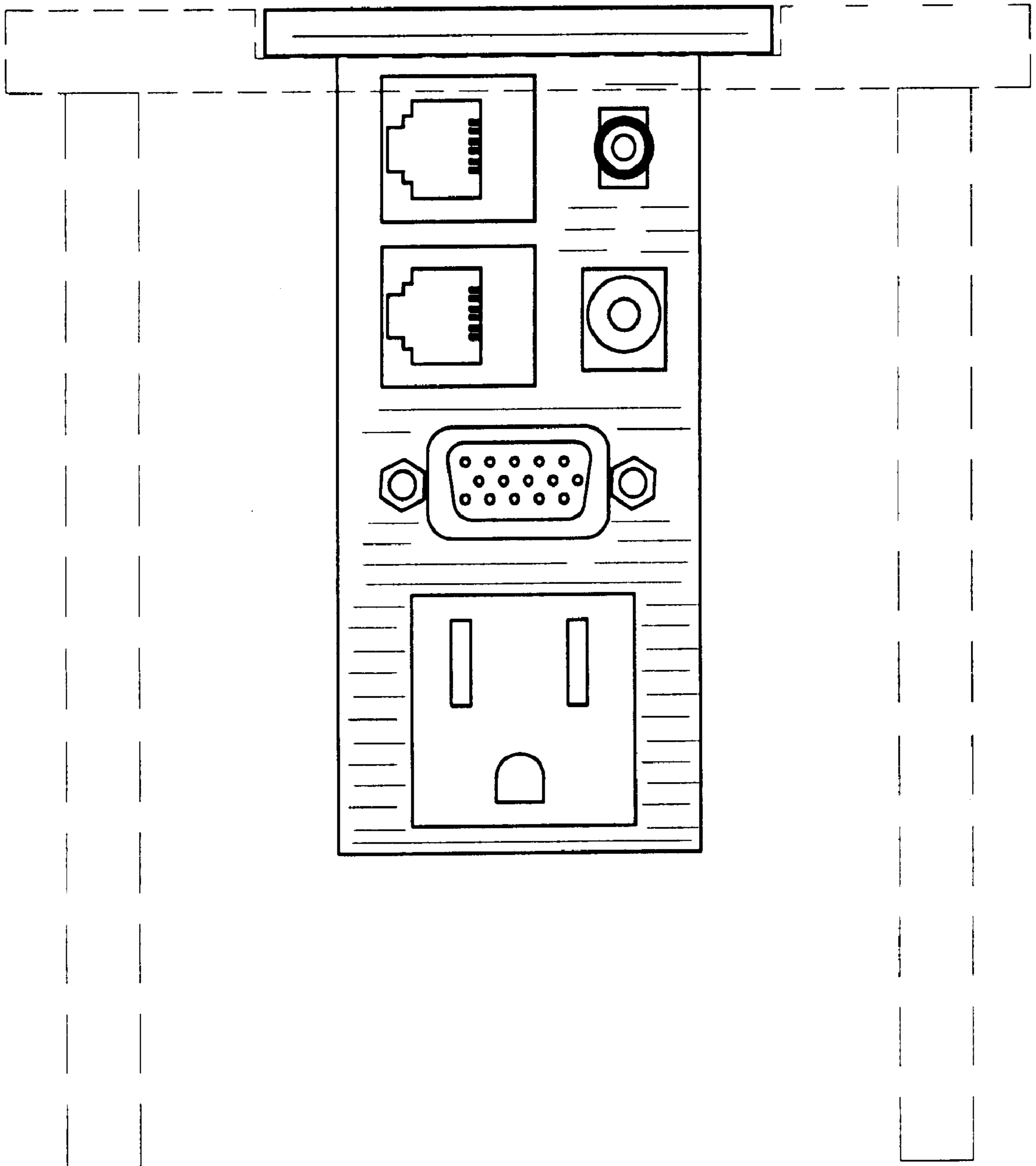


FIG.4

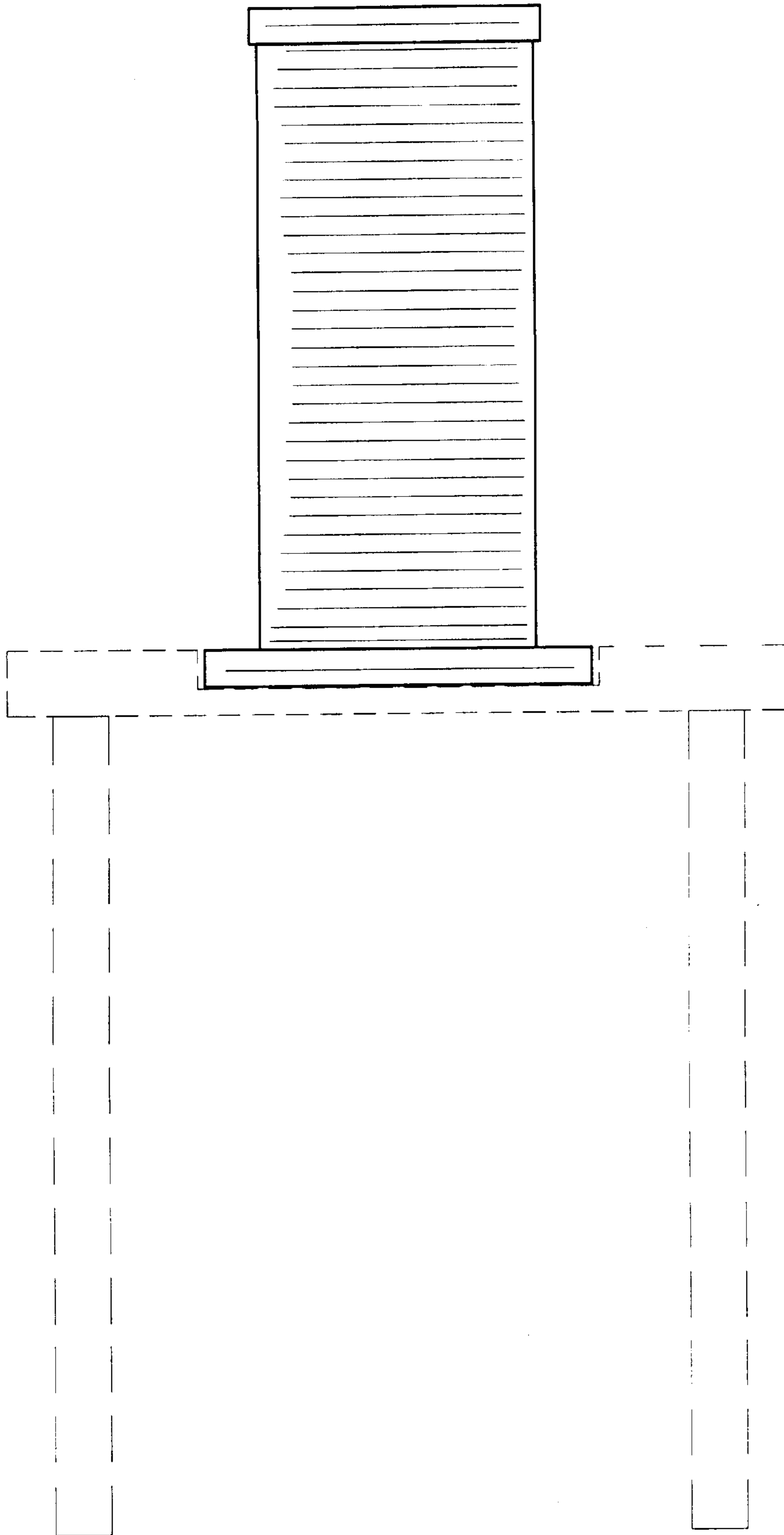


FIG.5

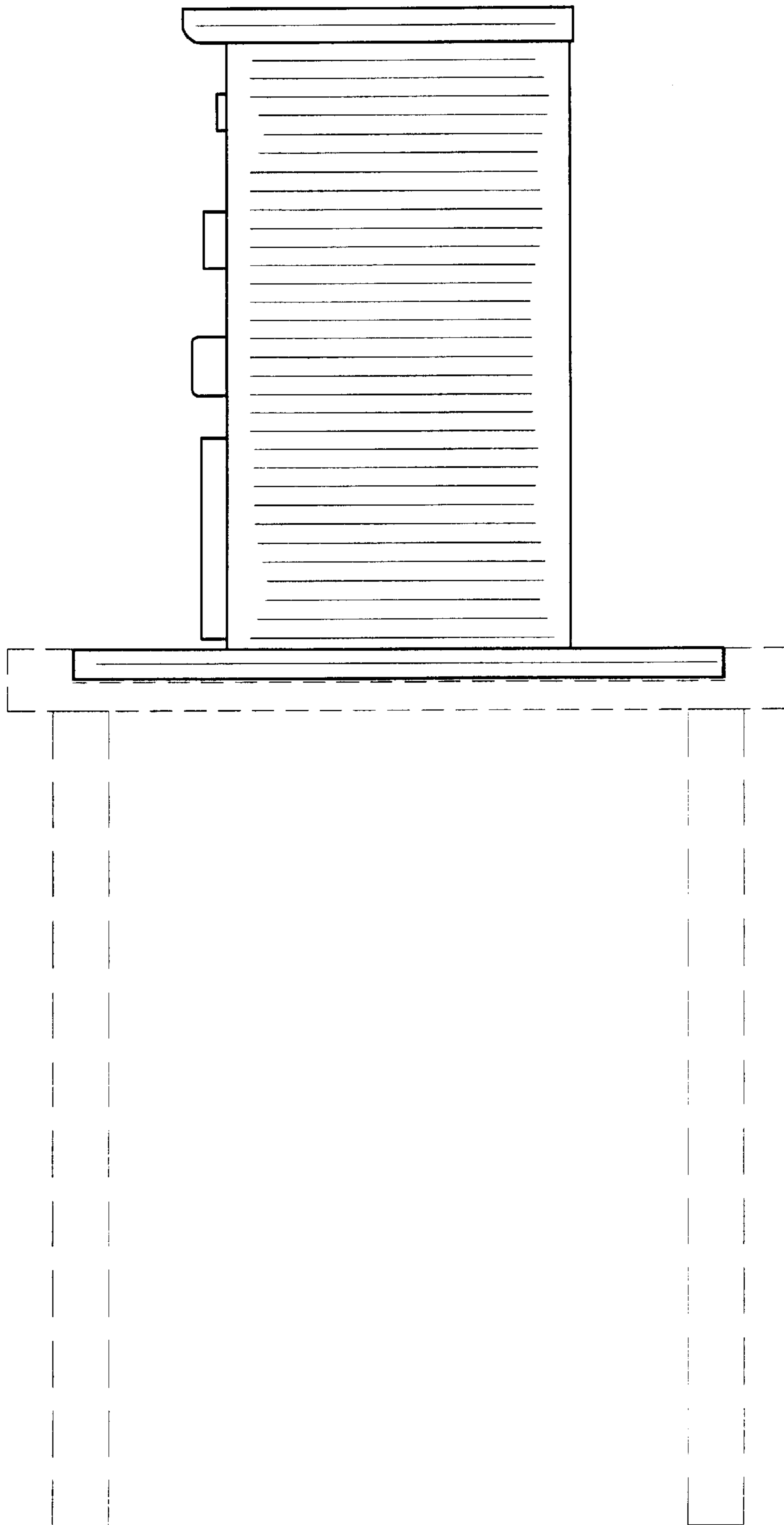


FIG.6

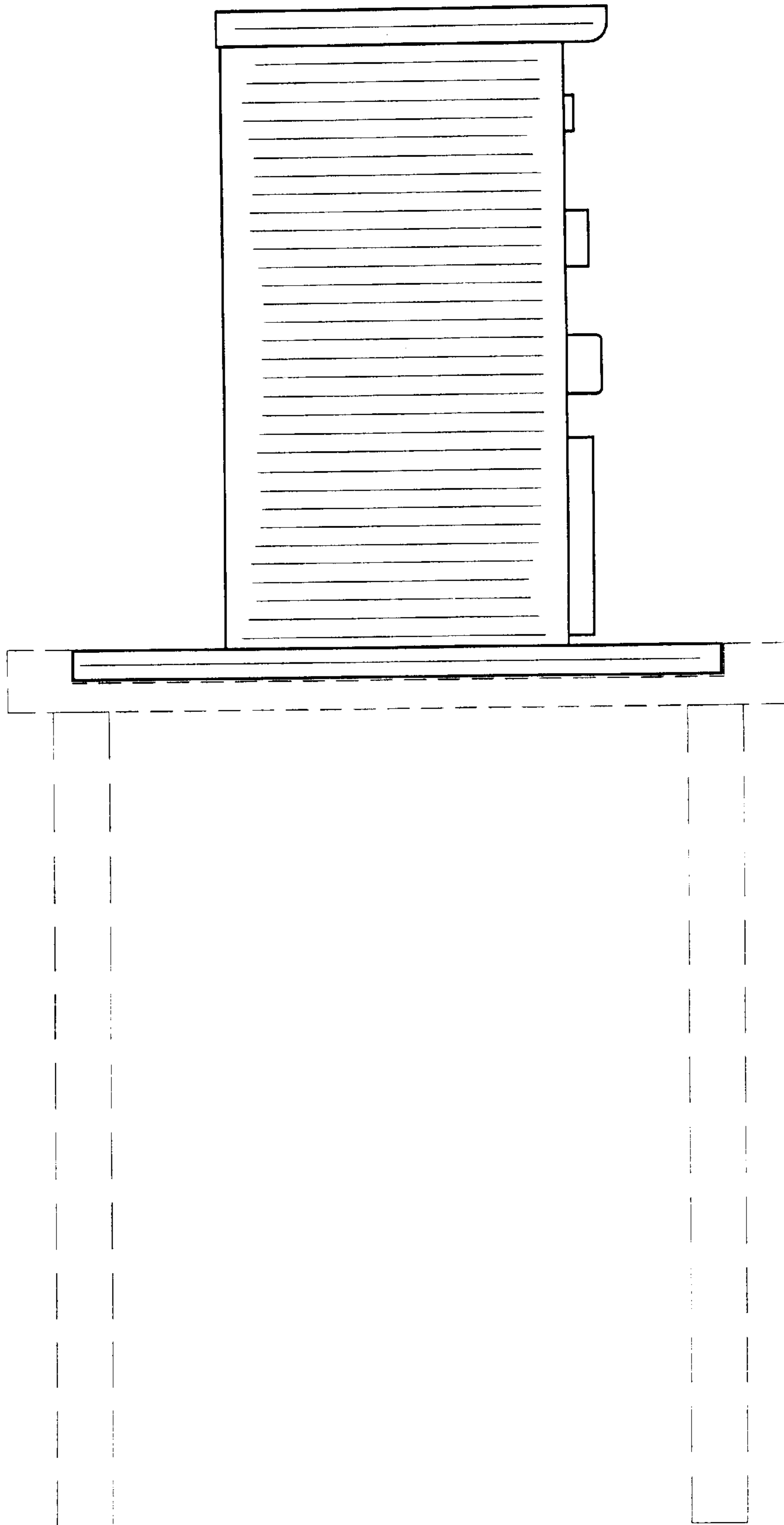
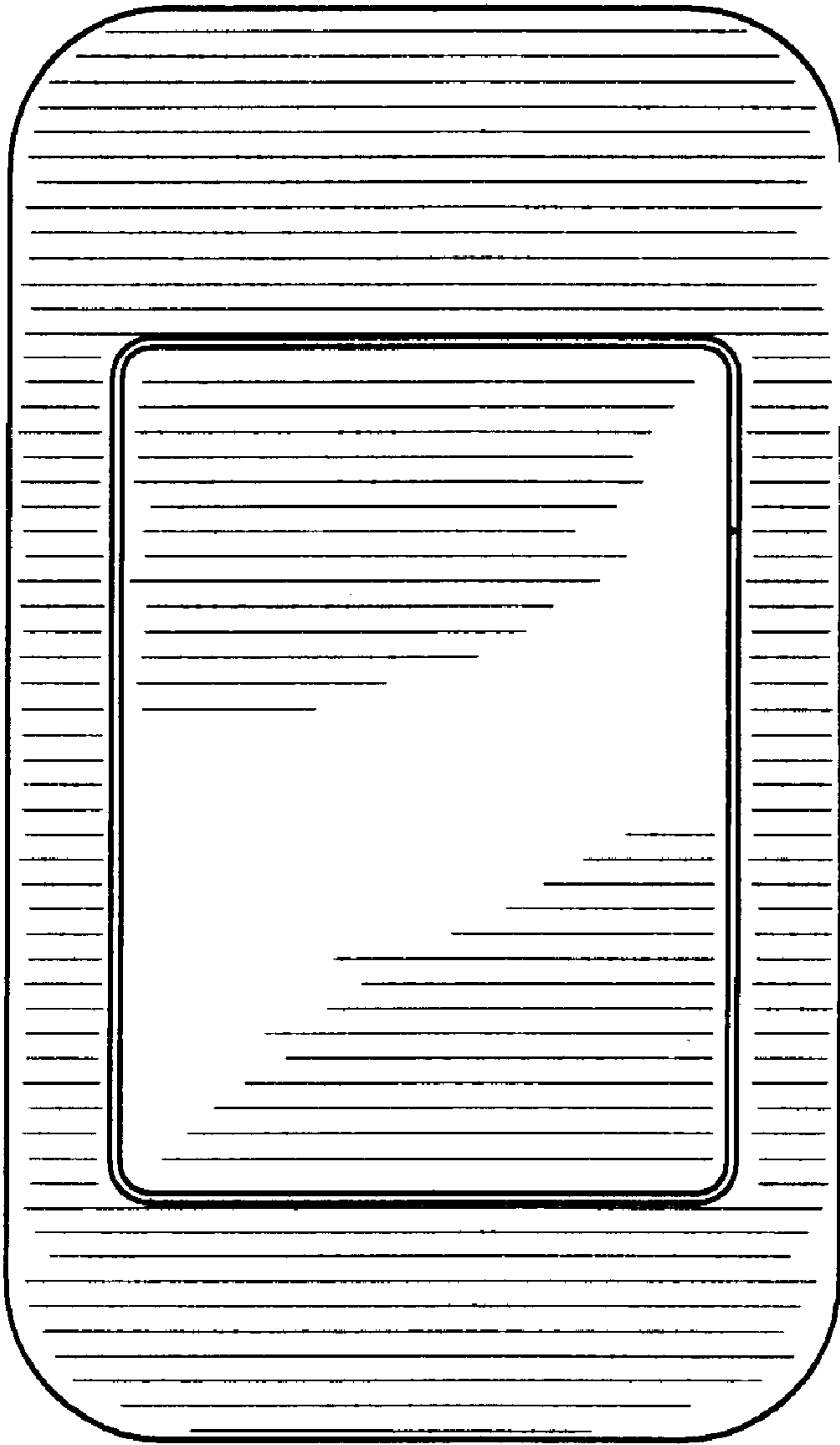


FIG.7





**FIG.8**