



US00D456356S

(12) **United States Design Patent**
Togashi

(10) **Patent No.:** **US D456,356 S**

(45) **Date of Patent:** **** Apr. 30, 2002**

(54) **COAXIAL CONNECTOR**

(75) Inventor: **Koji Togashi**, Tokyo (JP)

(73) Assignee: **SMK Corporation**, Tokyo (JP)

(**) Term: **14 Years**

(21) Appl. No.: **29/147,525**

(22) Filed: **Aug. 31, 2001**

(30) **Foreign Application Priority Data**

Mar. 2, 2001 (JP) 2001-005068

(51) **LOC (7) Cl.** **13-03**

(52) **U.S. Cl.** **D13/133**

(58) **Field of Search** D13/133; 439/675,
439/578, 581, 345, 346, 350, 352, 354,
357, 552, 557

(56) **References Cited**

U.S. PATENT DOCUMENTS

- 4,548,455 A * 10/1985 Ezure 439/152
- 5,145,409 A * 9/1992 Sato et al. 439/585
- D345,546 S * 3/1994 Lin et al. D13/133
- 5,467,062 A * 11/1995 Burroughs 439/578
- 5,904,578 A * 5/1999 Kubota et al. 439/63
- 5,967,852 A * 10/1999 Follingstad et al. 439/675

- 6,022,239 A * 2/2000 Wright 439/354
- 6,149,460 A * 11/2000 Straeb et al. 439/578

FOREIGN PATENT DOCUMENTS

- JP 1102739 1/2001
- JP 1102740 1/2001

* cited by examiner

Primary Examiner—Joel Sincavage

(74) *Attorney, Agent, or Firm*—Sughrue Mion, PLLC

(57) **CLAIM**

The ornamental design for a coaxial connector, as shown and described.

DESCRIPTION

FIG. 1 is a perspective view of the top, front and right side of a coaxial connector showing my new design;
 FIG. 2 is a perspective view of the bottom, rear and left side thereof;
 FIG. 3 is a front elevational view thereof;
 FIG. 4 is a rear elevational view thereof;
 FIG. 5 is a right side elevational view thereof, the left side elevational view being a mirror image thereof;
 FIG. 6 is a top plan view thereof; and,
 FIG. 7 is a bottom plan view thereof.

1 Claim, 3 Drawing Sheets

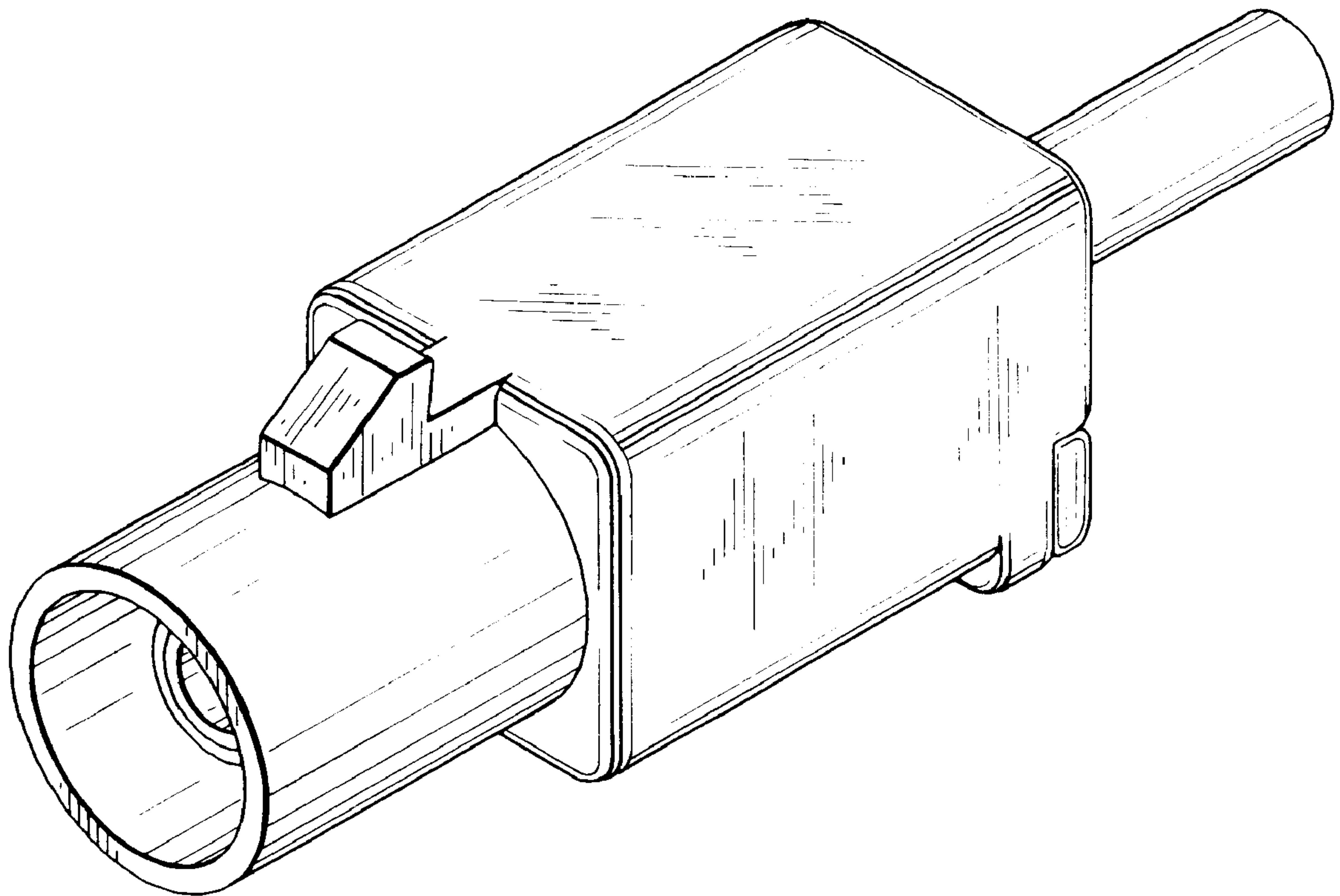


FIG. 1

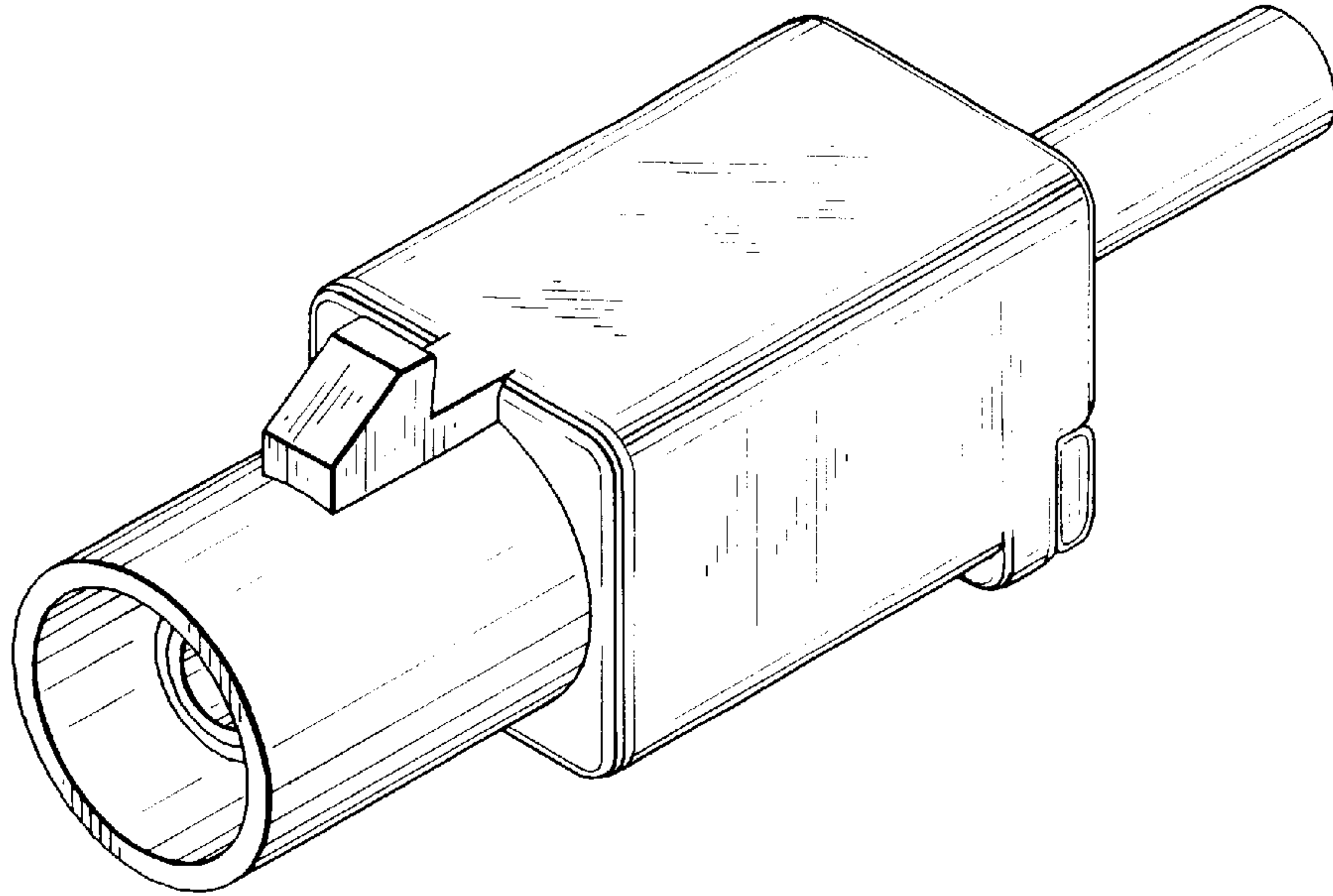


FIG. 2

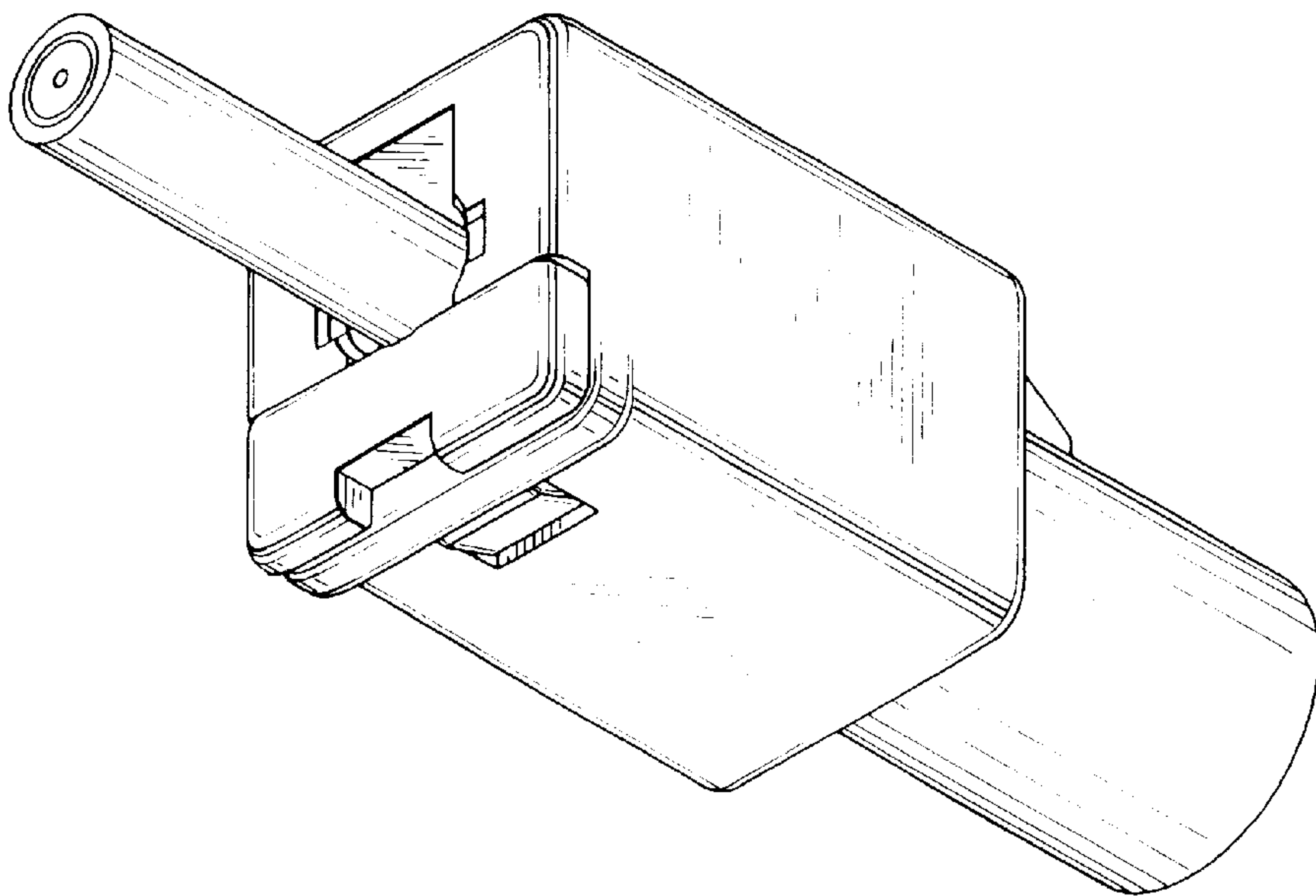


FIG. 3

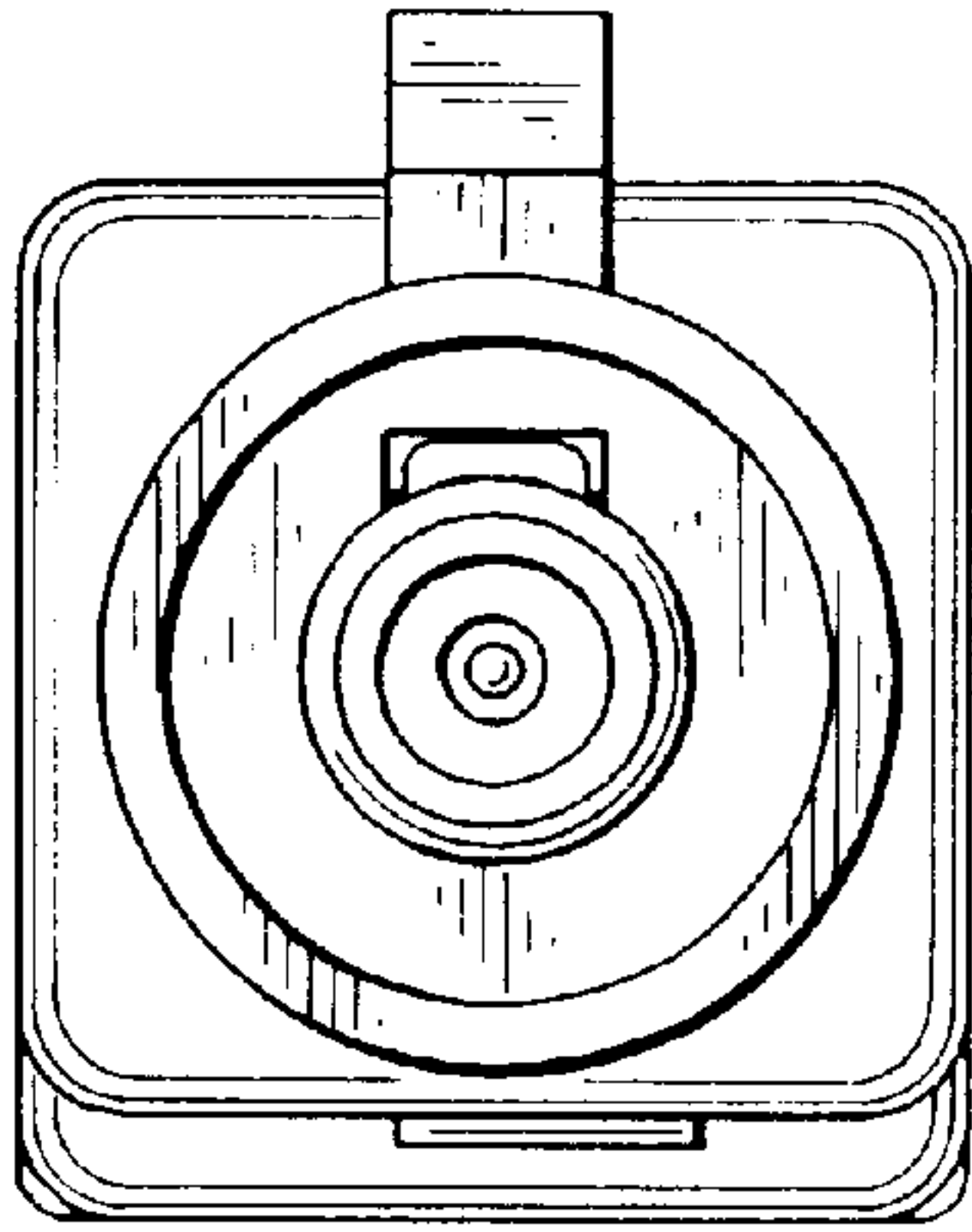


FIG. 4

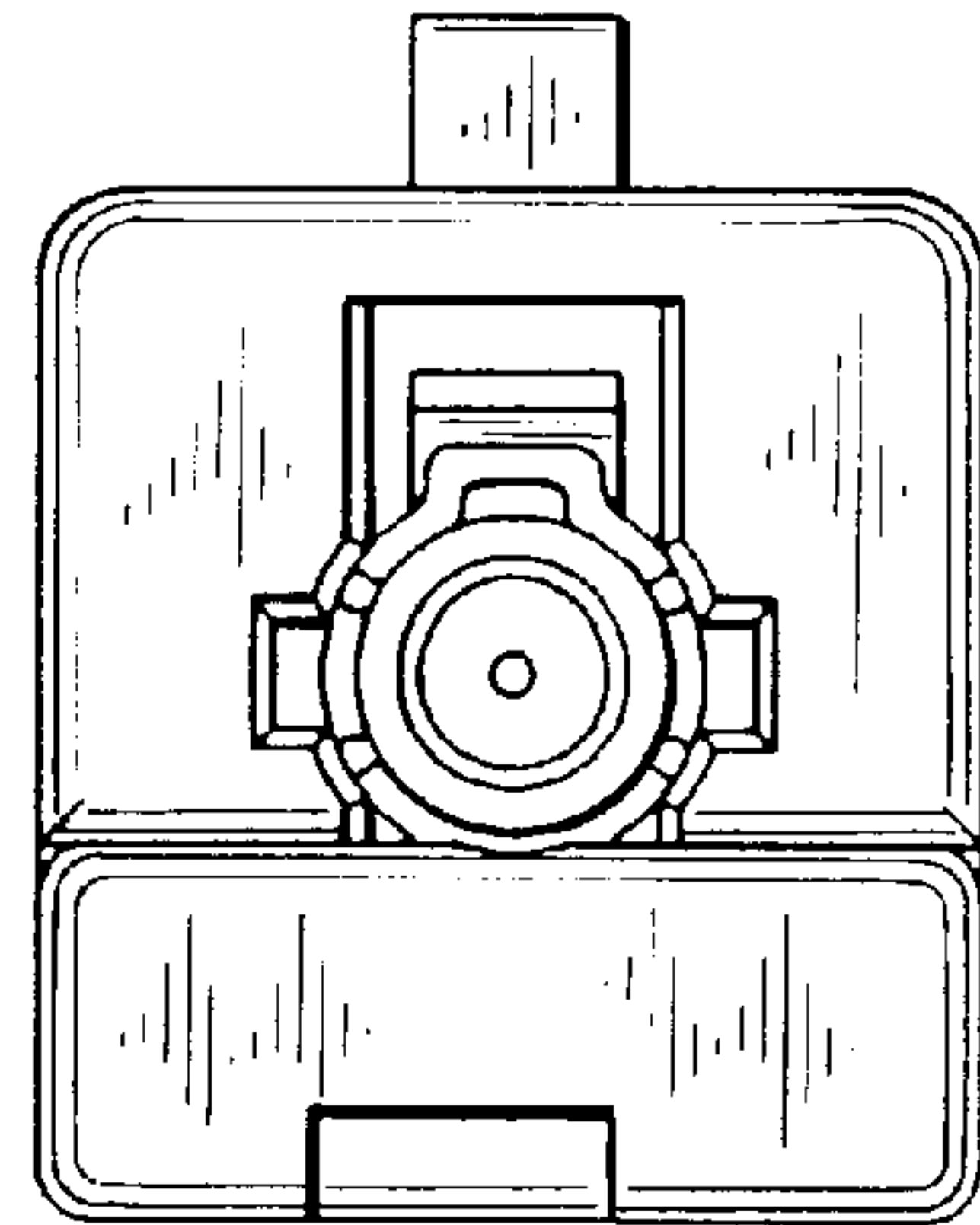


FIG. 5

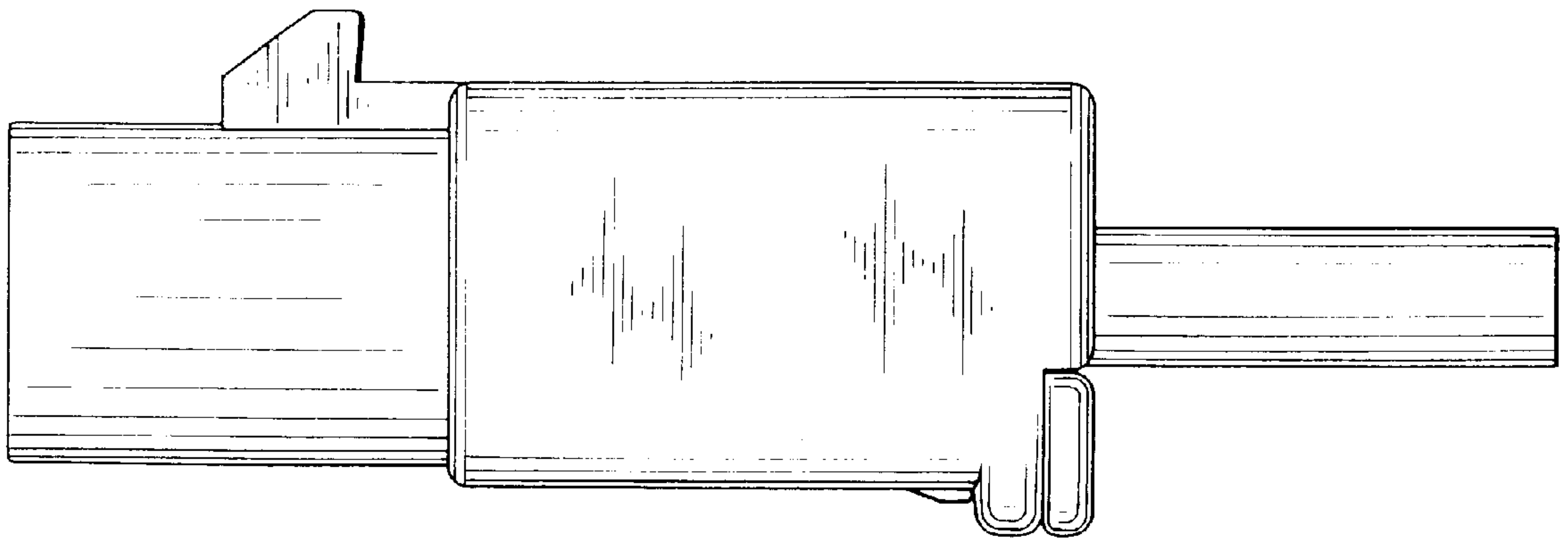


FIG. 6

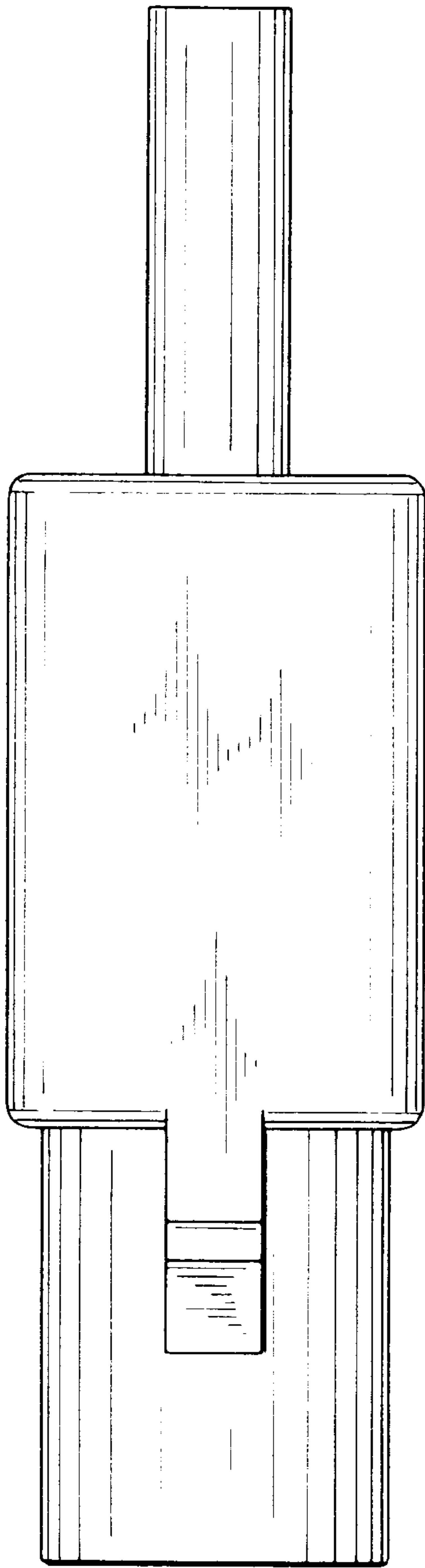


FIG. 7

