



US00D456354S

(12) **United States Design Patent**
Pickett et al.

(10) **Patent No.:** **US D456,354 S**

(45) **Date of Patent:** **** Apr. 30, 2002**

(54) **HOUSING FOR A WAVEFORM
CORRECTION ABSORBER**

(75) Inventors: **Andrew Pickett; Theodore Thibault;
Louis Christensen**, all of Carson City,
NV (US)

(73) Assignee: **Environmental Potentials, Inc.**, Carson
City, NV (US)

(**) Term: **14 Years**

(21) Appl. No.: **29/119,060**

(22) Filed: **Feb. 23, 2000**

(51) **LOC (7) Cl.** **13-03**

(52) **U.S. Cl.** **D13/123; D13/160**

(58) **Field of Search** **D13/123, 160,
D13/184; 361/56, 111, 118, 119, 93.1; 174/50,
65 R**

(56) **References Cited**

U.S. PATENT DOCUMENTS

D247,030	S	*	1/1978	Cocuzzo	D13/160
D252,568	S	*	8/1979	Comstock	D13/184
4,554,608	A	*	11/1985	Block	361/119
5,227,947	A	*	7/1993	Kaczmarek et al.	361/119
D350,728	S	*	9/1994	Goldbach et al.	D13/160
5,488,534	A	*	1/1996	Rau et al.	361/56
5,768,081	A	*	6/1998	Cohen et al.	361/119
5,793,352	A	*	8/1998	Greenberg et al.	345/132
D409,154	S	*	5/1999	Chudoba et al.	D13/160

* cited by examiner

Primary Examiner—Joel Sincavage

(74) *Attorney, Agent, or Firm*—John E. Wagner; Robert C. Smith

(57) **CLAIM**

The ornamental design for a housing for a waveform correction absorber, as shown and described.

DESCRIPTION

FIG. 1 is a perspective view of the housing for a waveform correction absorber;

FIG. 2 is a top plan view thereof;

FIG. 3 is a front elevational view thereof;

FIG. 4 is a left side elevational view, the opposite side being a mirror image;

FIG. 5 is a rear elevation view thereof; and

FIG. 6 is a bottom plan view thereof;

FIG. 7 is a perspective view of a three-phase embodiment of this invention thereof;

FIG. 8 is a top plan of the embodiment of FIG. 7;

FIG. 9 is a front elevational view of the embodiment of FIG. 7;

FIG. 10 is a side elevational view of the embodiment of FIG. 7, the opposite side being a mirror image;

FIG. 11 is a rear elevational view of the embodiment of FIG. 7; and,

FIG. 12 is a bottom plan view of the embodiment of FIG. 7.

1 Claim, 5 Drawing Sheets

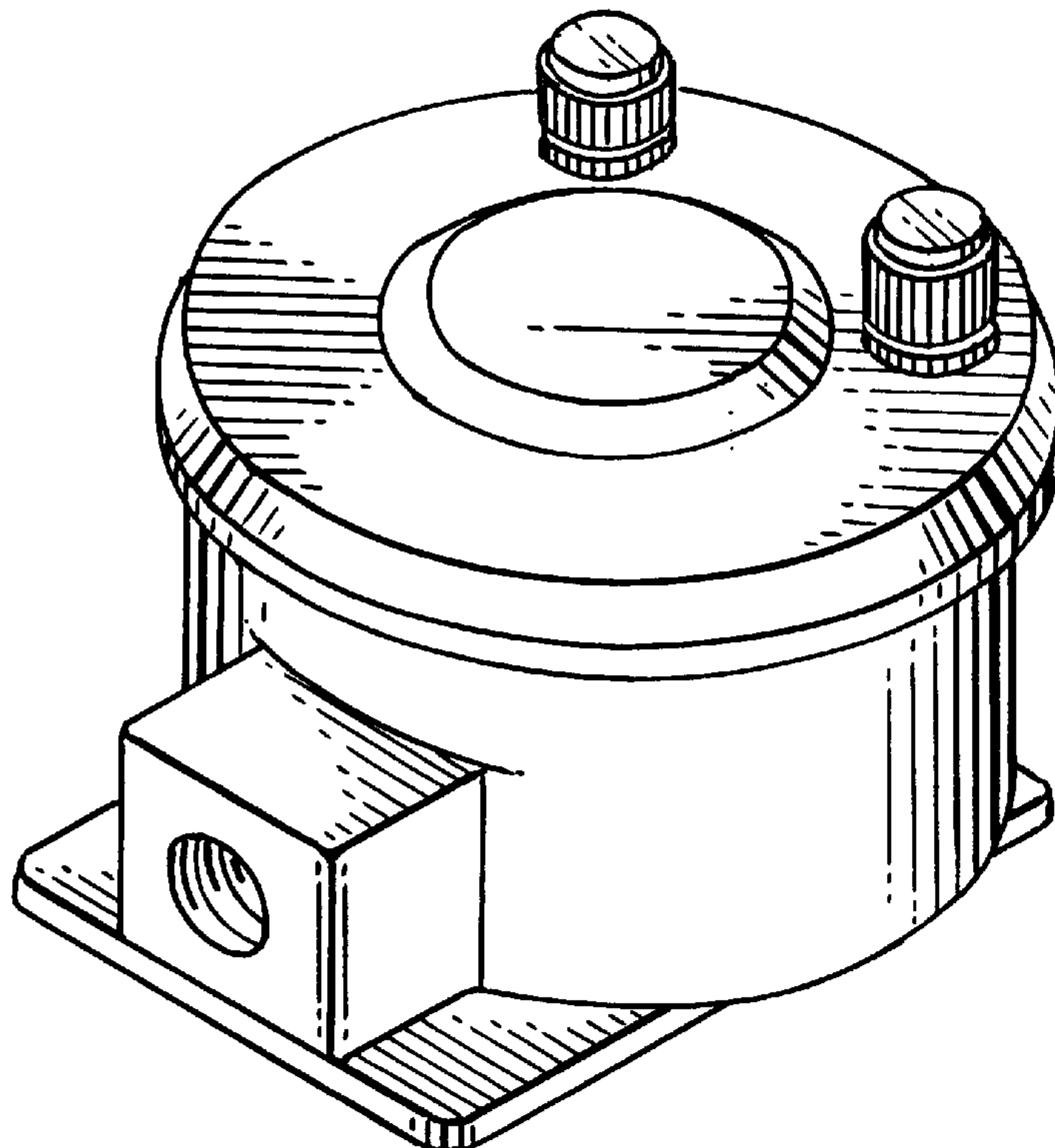


FIG. 1.

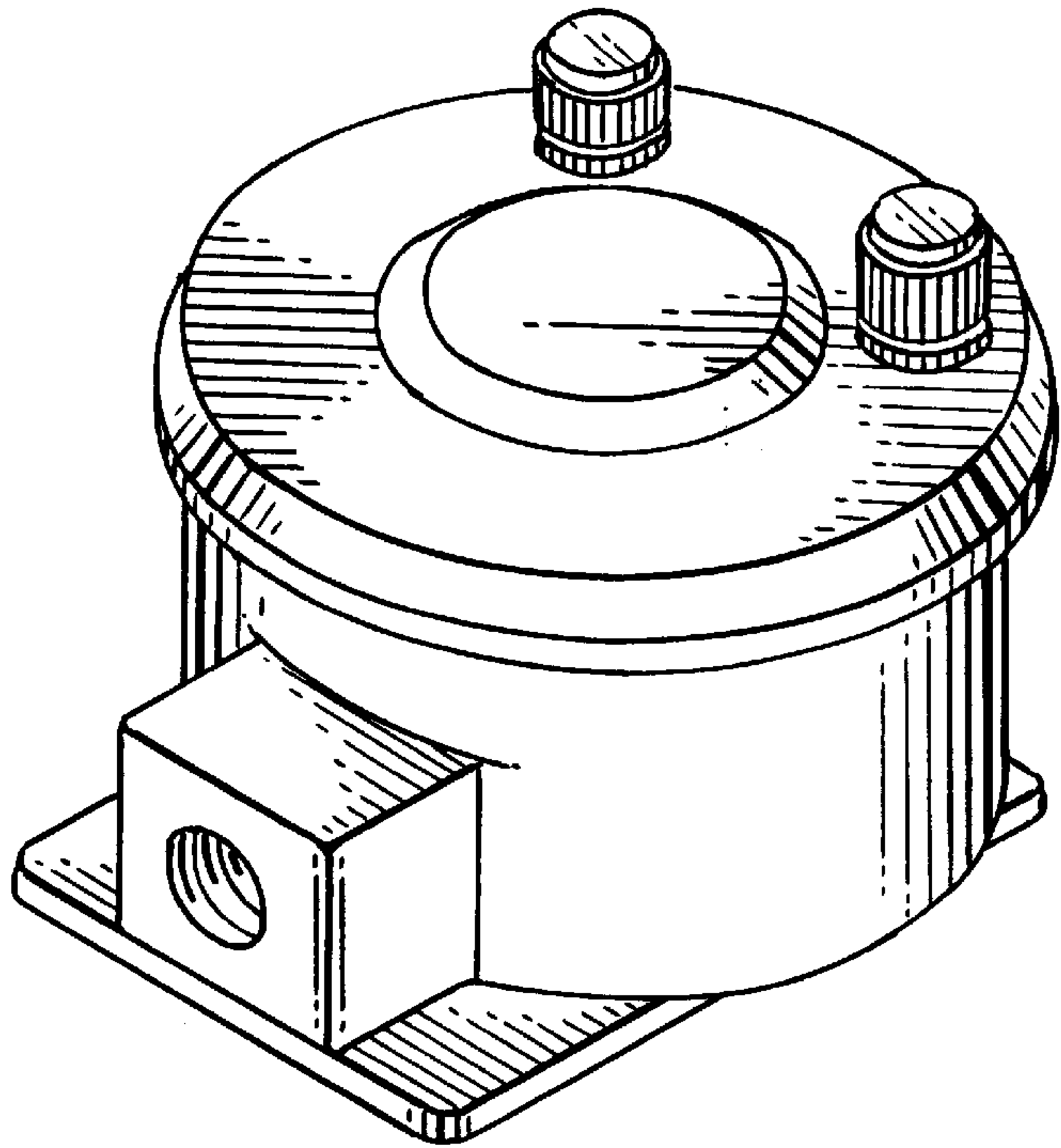


FIG. 2.

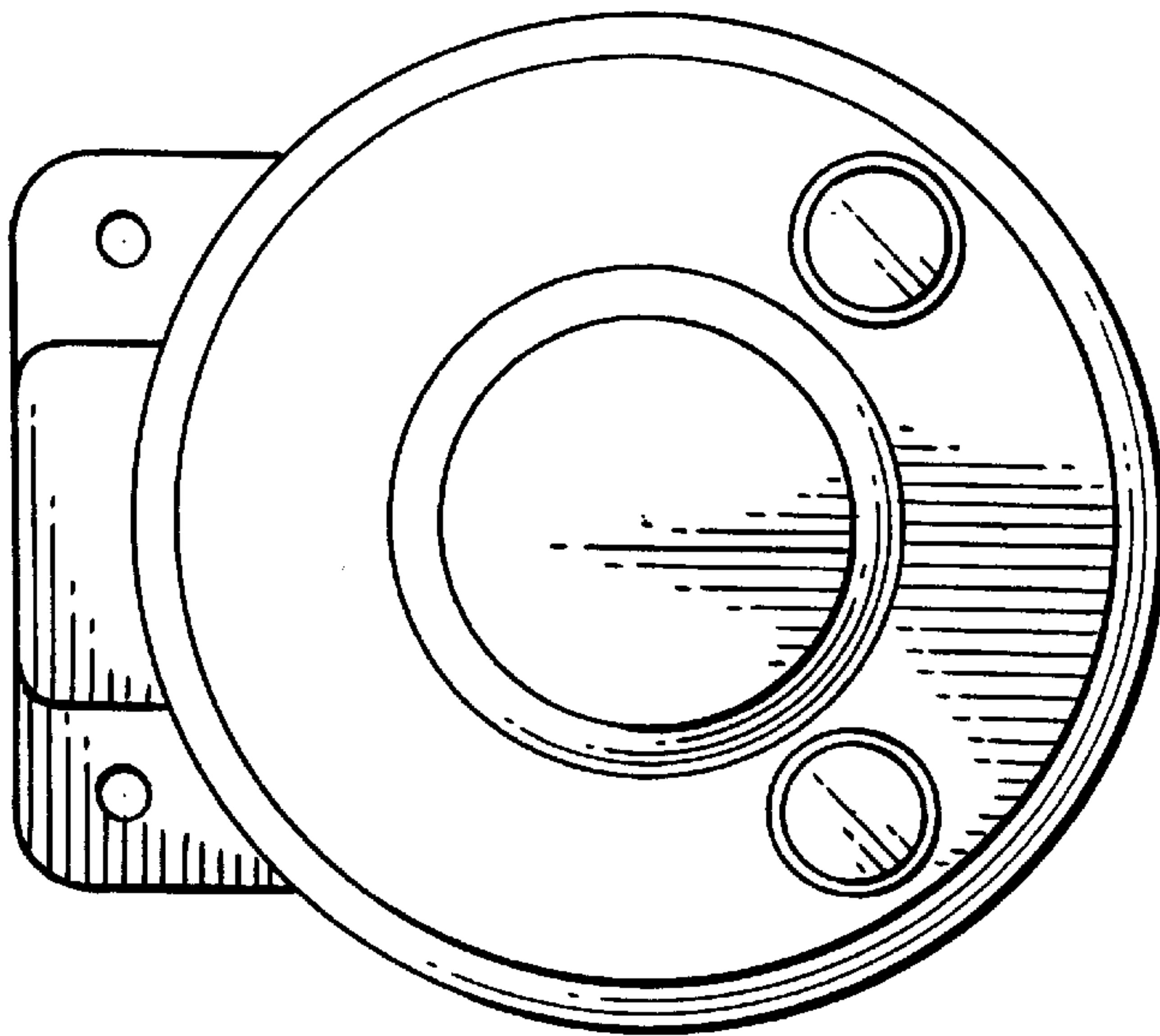


FIG. 3.

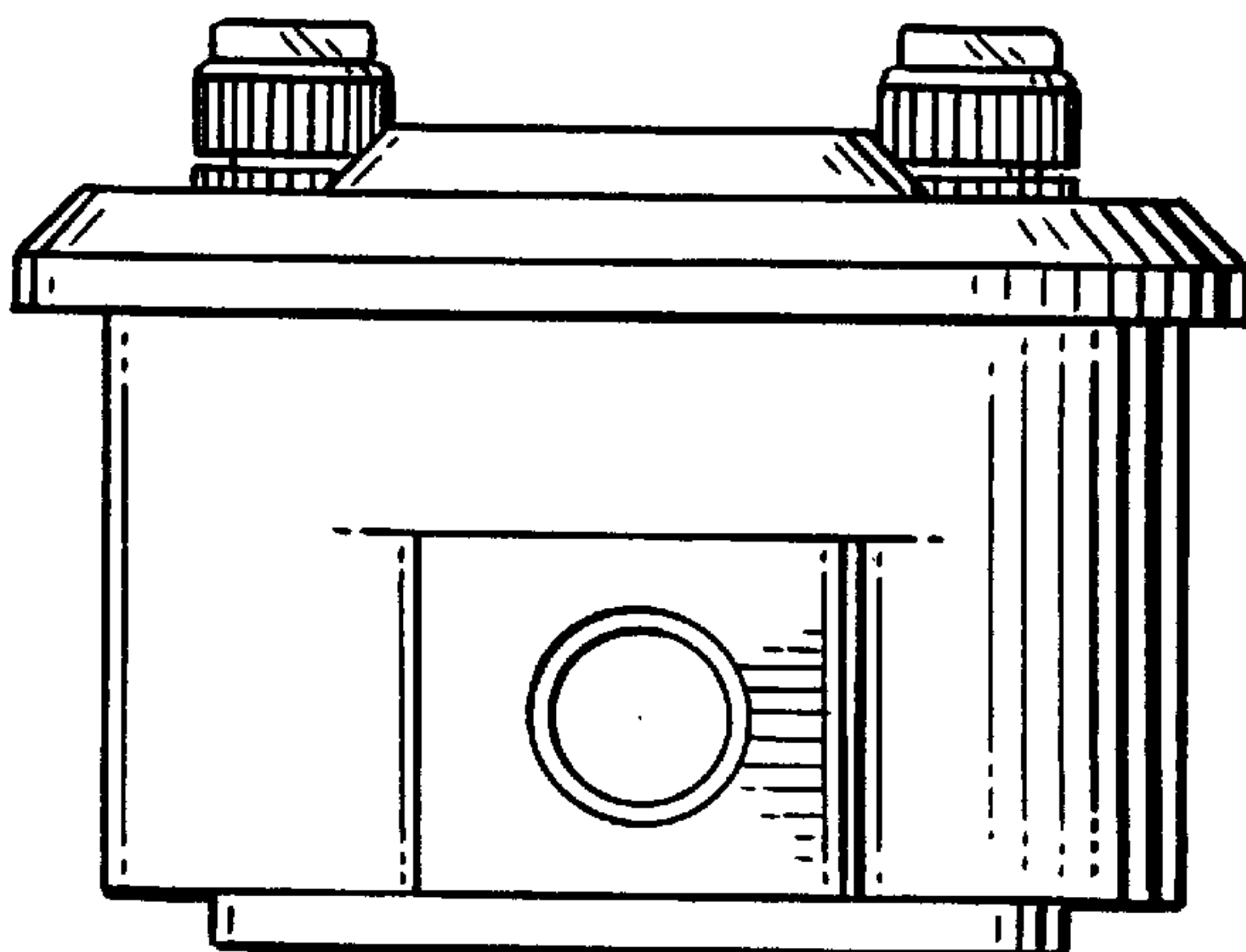


FIG. 4.

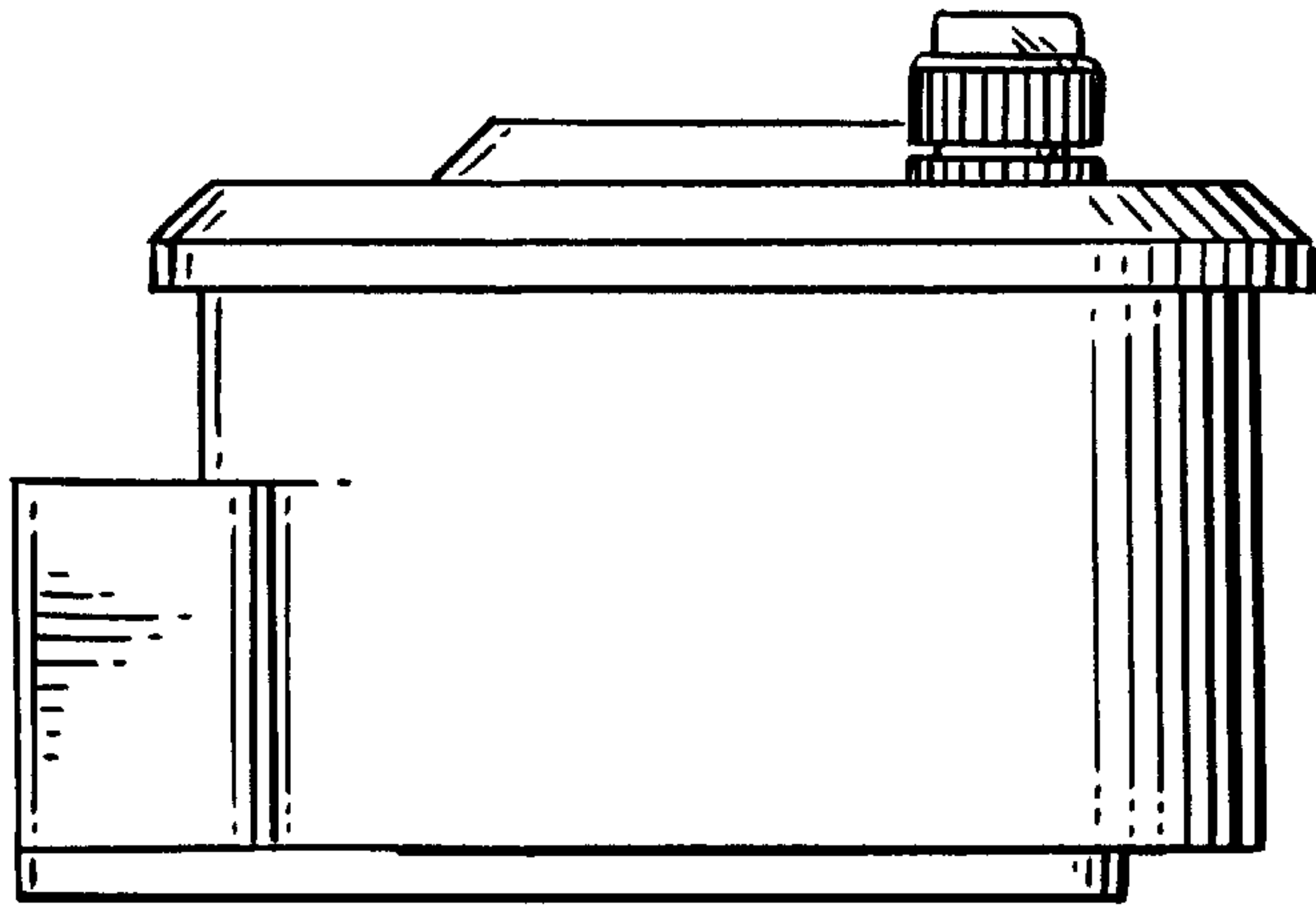


FIG. 5.

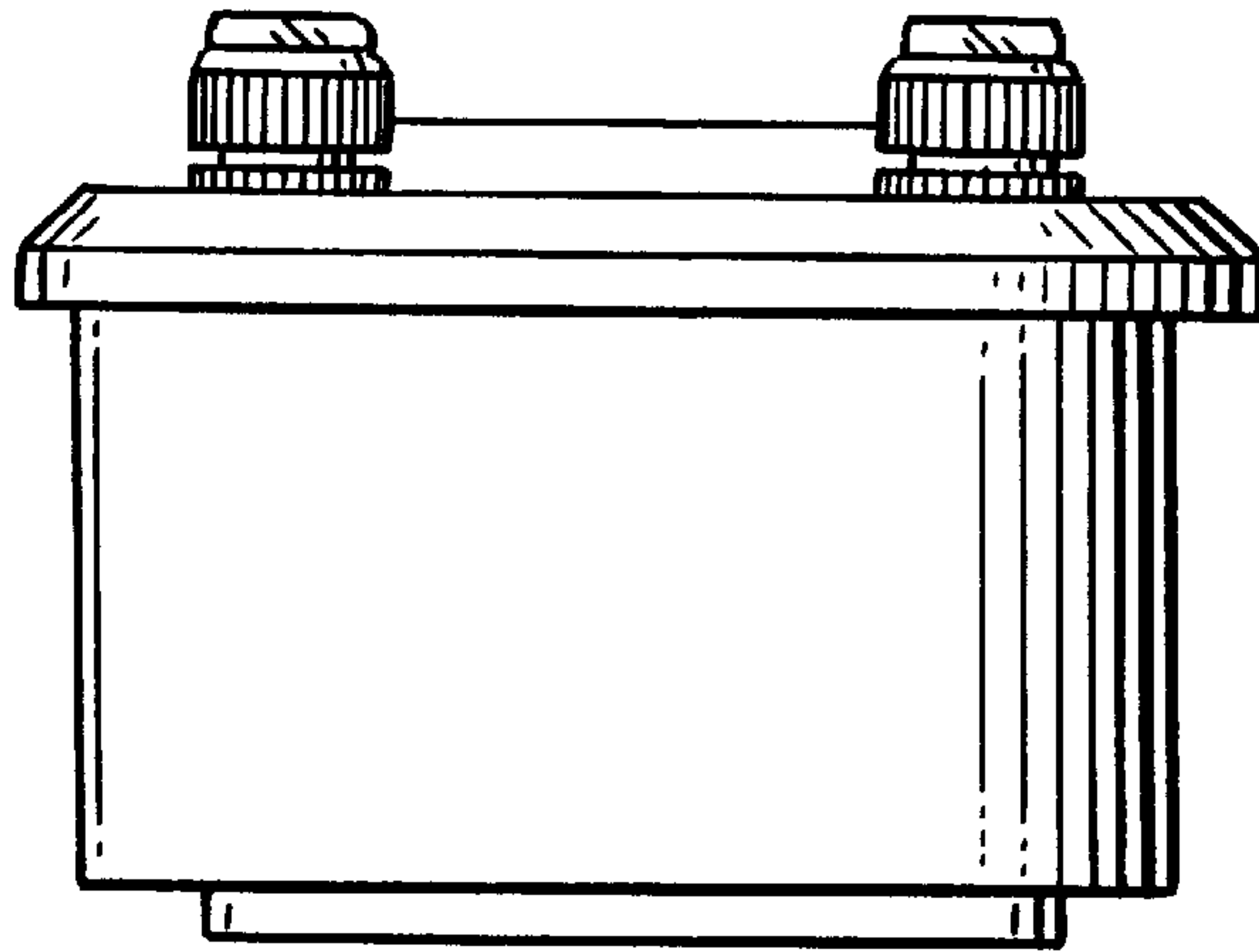


FIG. 6.

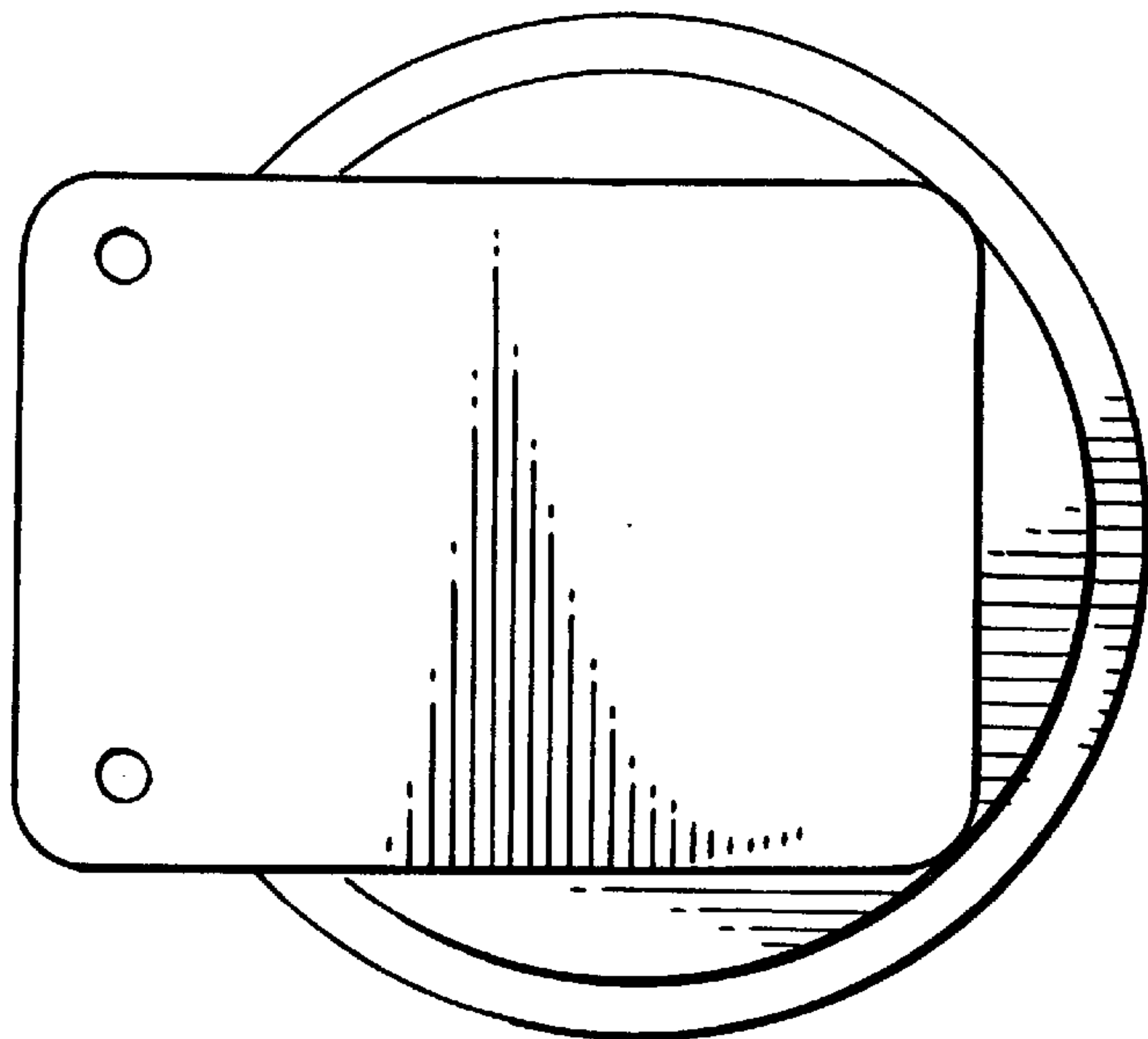


FIG. 7.

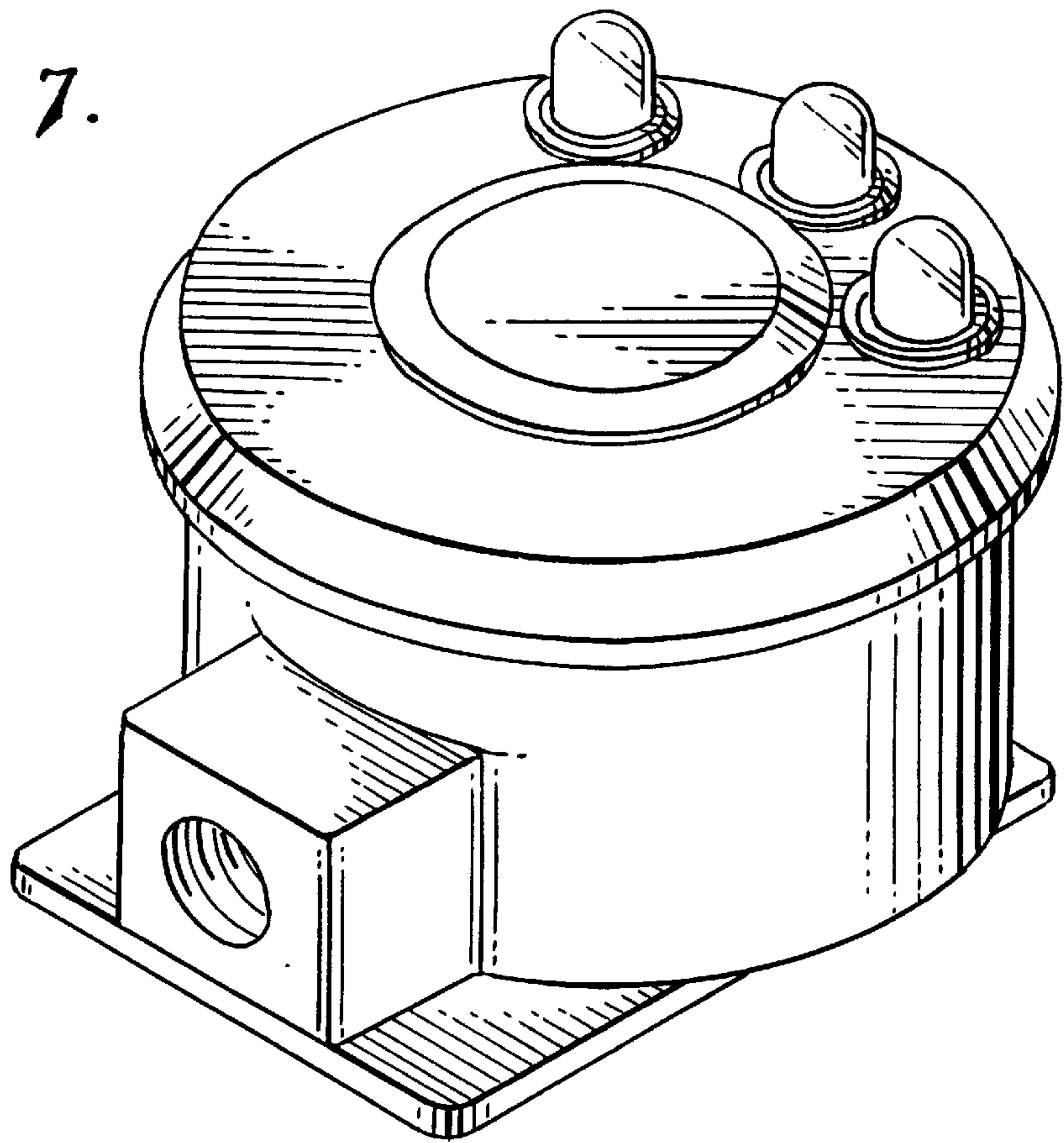


FIG. 8.

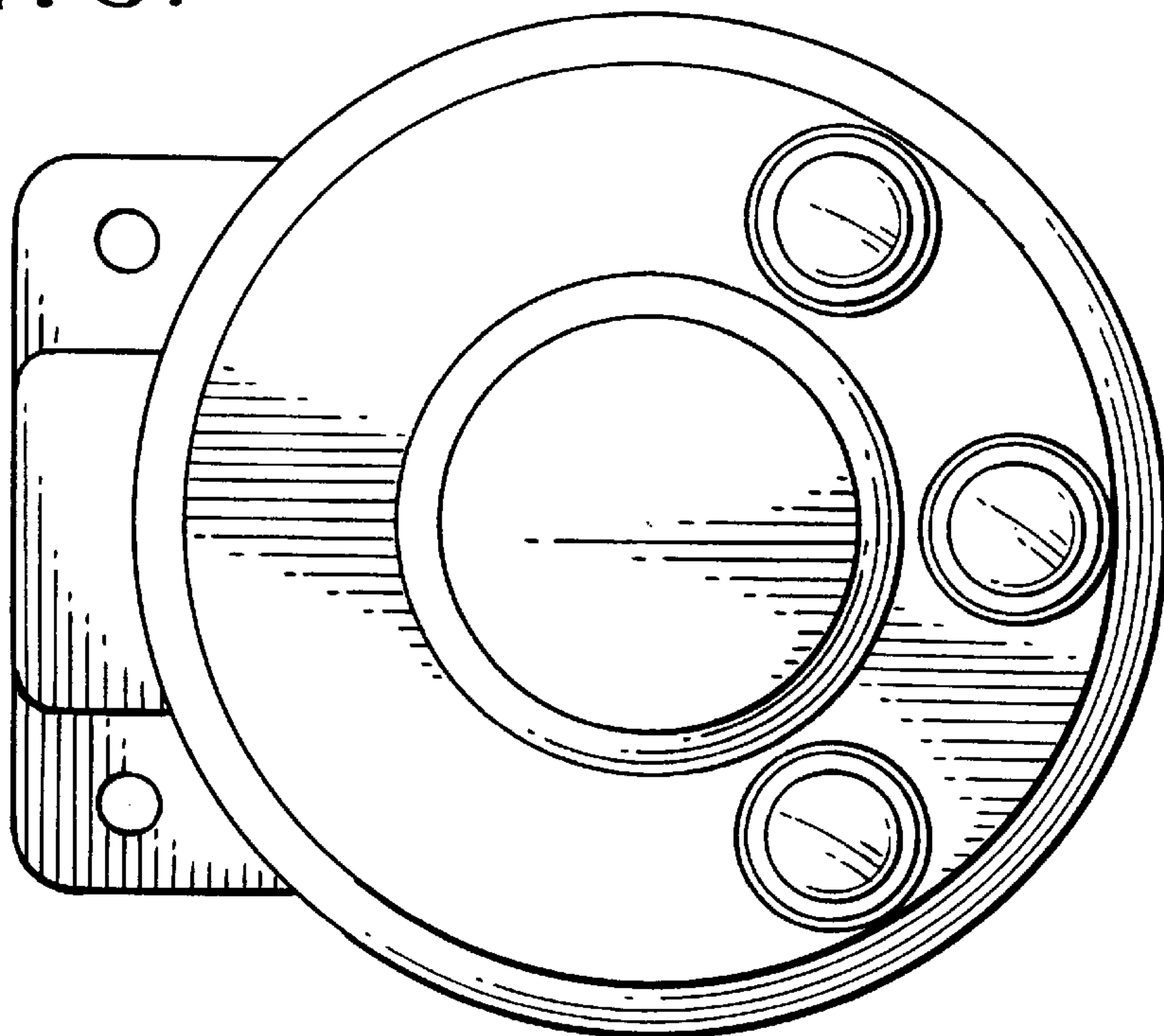


FIG. 9.

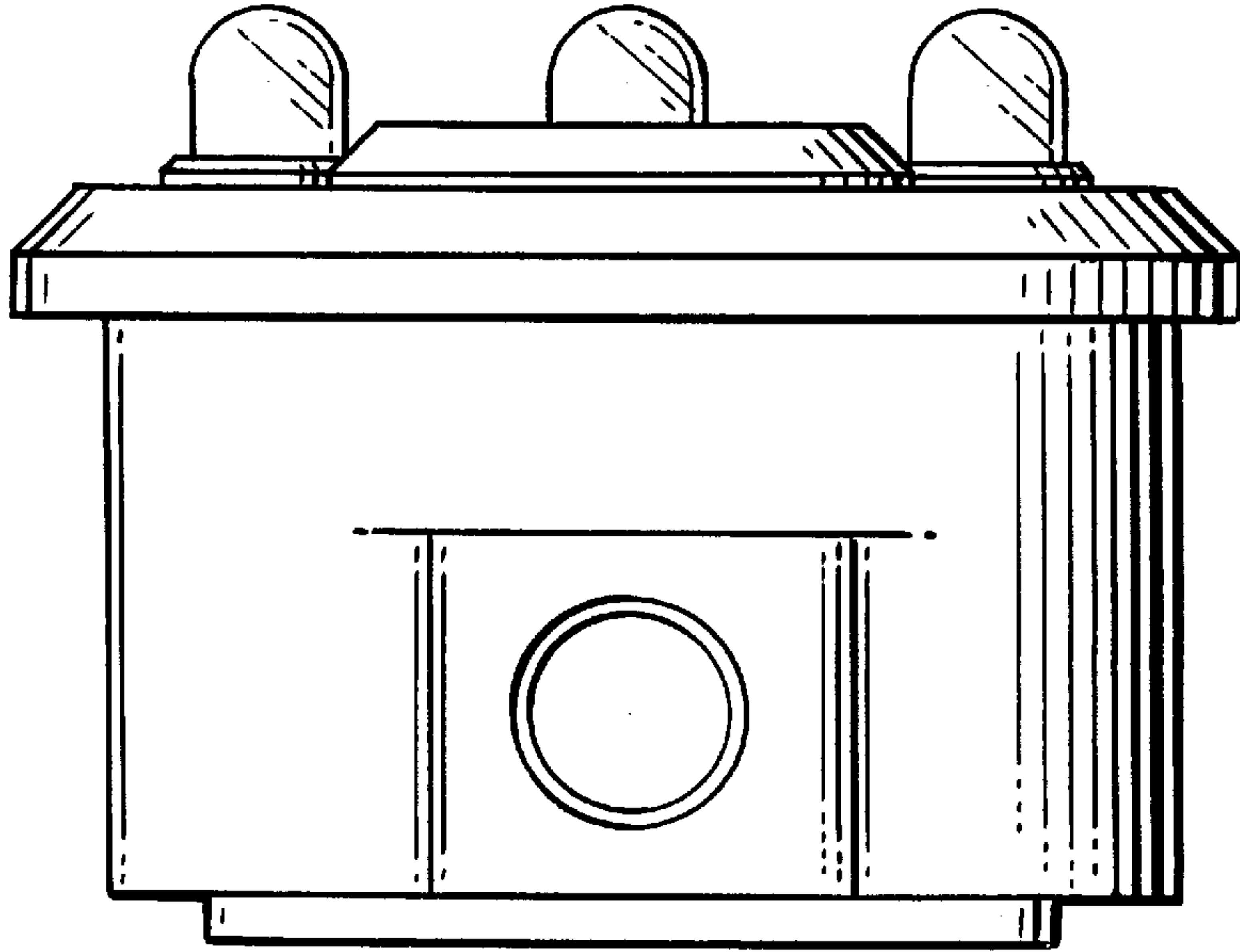


FIG. 10.

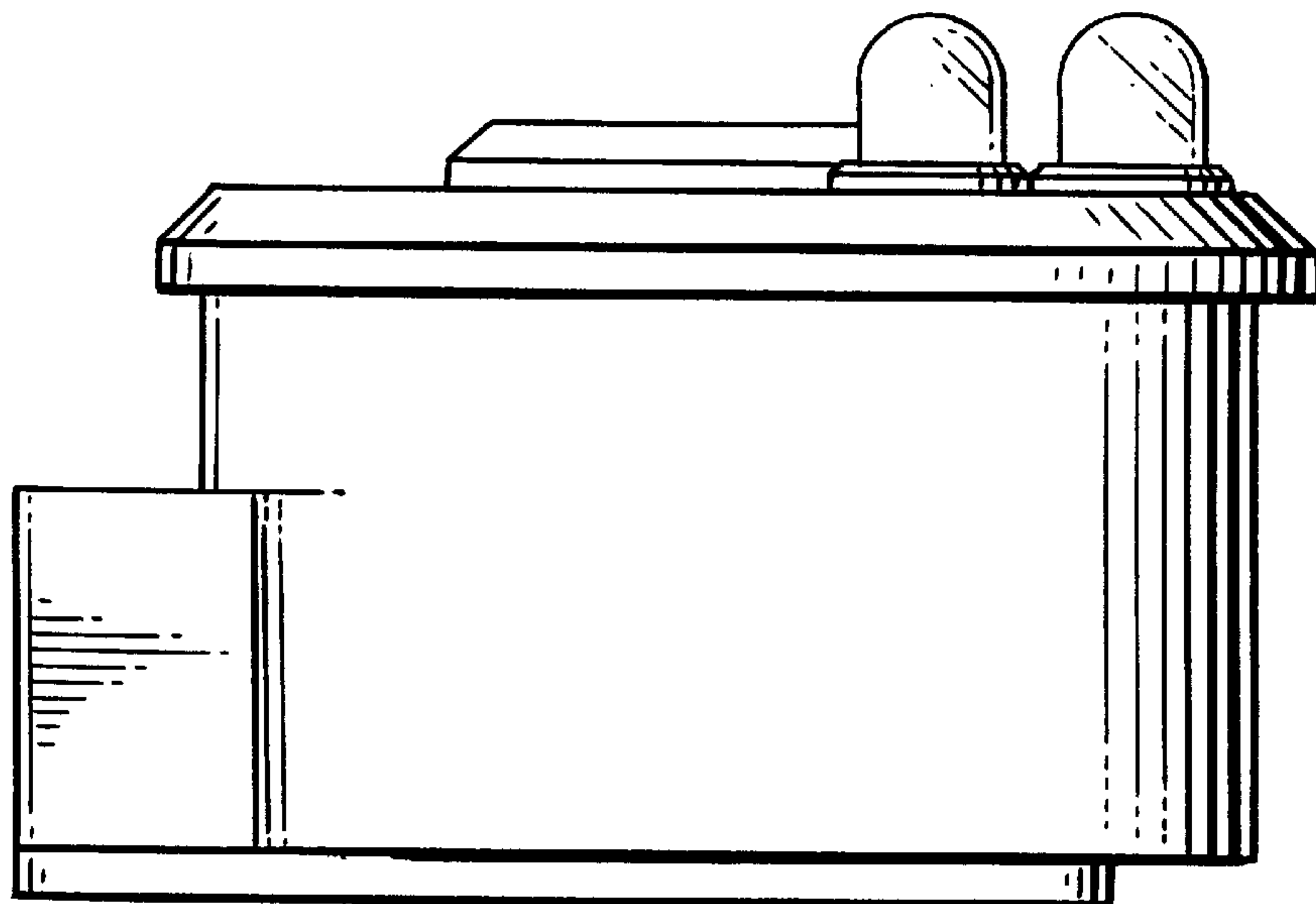


FIG. 11.

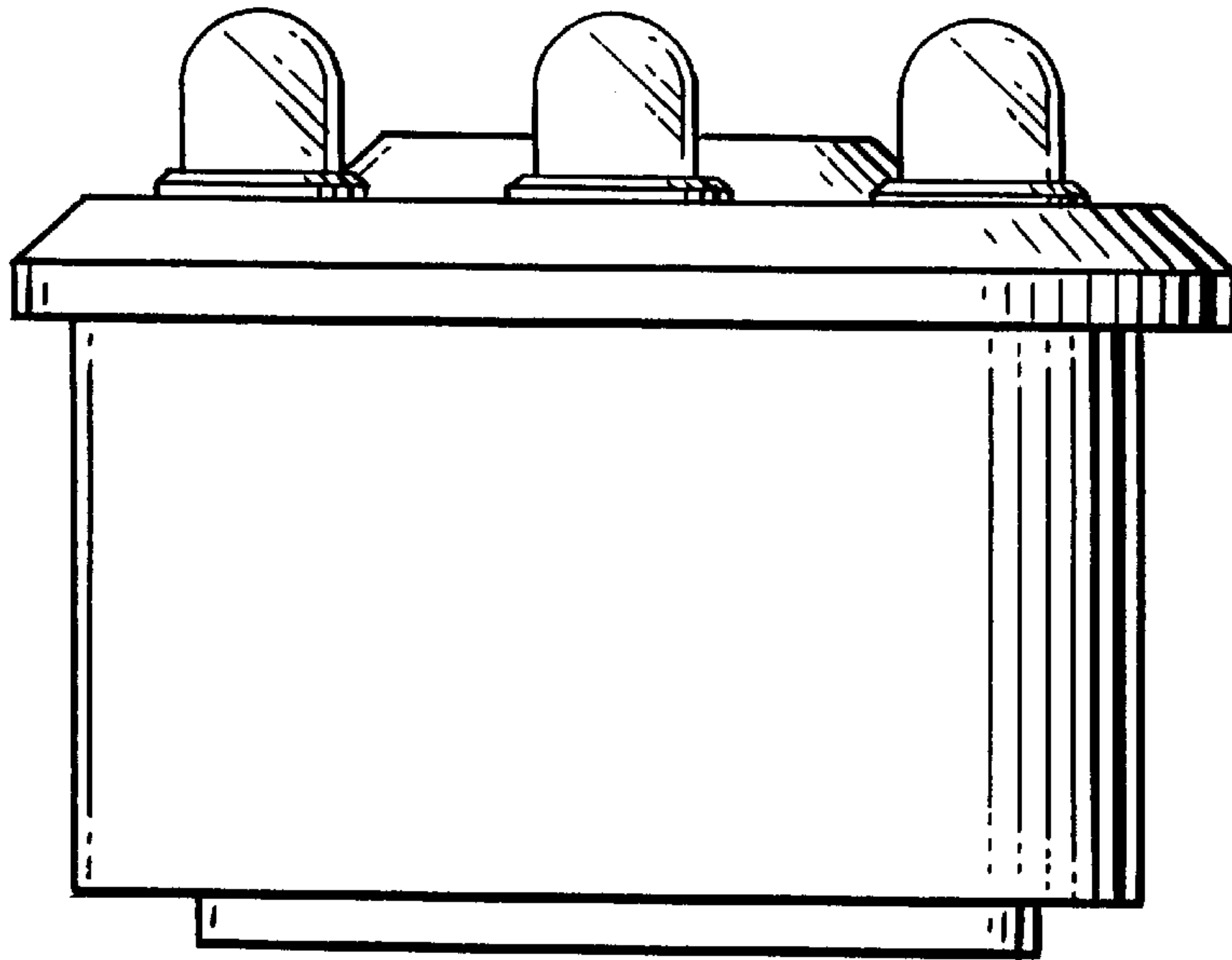


FIG. 12.

