



US00D456352S

(12) **United States Design Patent**
Germagian et al.

(10) **Patent No.:** **US D456,352 S**

(45) **Date of Patent:** **** Apr. 30, 2002**

(54) **UNINTERRUPTIBLE POWER SUPPLY**

(75) Inventors: **Mark H. Germagian**, Hudson;
Benjamin J. Beck, Boston, both of MA
(US)

(73) Assignee: **American Power Conversion**, West
Kingston, RI (US)

(**) Term: **14 Years**

(21) Appl. No.: **29/110,505**

(22) Filed: **Sep. 8, 1999**

(51) **LOC (7) Cl.** **13-02**

(52) **U.S. Cl.** **D13/110; D13/123**

(58) **Field of Search** D13/110, 123;
307/64, 66, 150; 340/636

(56) **References Cited**

U.S. PATENT DOCUMENTS

D122,482 S	9/1940	Fletcher	
D134,818 S	1/1943	Fletcher	
D142,475 S	10/1945	Gaguski	
2,978,596 A	4/1961	Robirds	
2,988,655 A	6/1961	Rudolph et al.	
3,056,893 A	10/1962	Russ	
3,636,236 A	1/1972	Smith	
3,760,235 A	9/1973	Takami et al.	317/118
D240,836 S	8/1976	Corvette	
D280,318 S	8/1985	Barone	
4,627,684 A	12/1986	D'Amato	
4,717,358 A	1/1988	Chaundy	439/557
4,749,908 A	6/1988	Stifter	315/86
4,873,600 A	10/1989	Vogele	
D314,174 S *	1/1991	Wong	D13/123
D316,396 S	4/1991	Decosse et al.	
5,007,860 A	4/1991	Robinson et al.	
5,122,069 A	6/1992	Brownlie et al.	
D329,618 S	9/1992	Hollander et al.	
5,177,325 A	1/1993	Giammanco	
5,180,886 A	1/1993	Dierenbach et al.	
D339,101 S *	9/1993	Delamoreaux et al.	D13/110
D341,124 S	11/1993	Krokaugger	
5,272,459 A	12/1993	Geery	336/61

5,277,620 A	1/1994	Taylor	
D346,148 S *	4/1994	Chen	D13/110
5,334,052 A	8/1994	Chen	
5,384,428 A	1/1995	Luu	
D374,809 S	10/1996	Scherer et al.	
D374,861 S *	10/1996	Mousa	D13/110
D376,347 S *	12/1996	Mousa	D13/110

(List continued on next page.)

FOREIGN PATENT DOCUMENTS

EP 0 765 023 A2 3/1997

OTHER PUBLICATIONS

U.S. patent application No. 09/392,129 filed Sep. 08, 1999
Germagian.

Primary Examiner—Joel Sincavage

(74) *Attorney, Agent, or Firm*—Mintz, Levin, Cohn, Ferris,
Glovsky & Popeo, P.C.

(57) **CLAIM**

We claim the ornamental design for a uninterruptible power
supply, as shown and described.

DESCRIPTION

FIG. 1 is a front and upper left perspective view of an
uninterruptable power supply in accordance with the present
invention;

FIG. 2 is a rear and upper left perspective view of the
uninterruptable power supply of FIG. 1;

FIG. 3 is a front view of the uninterruptible power supply of
FIG. 1;

FIG. 4 is a back view of the uninterruptible power supply of
FIG. 1;

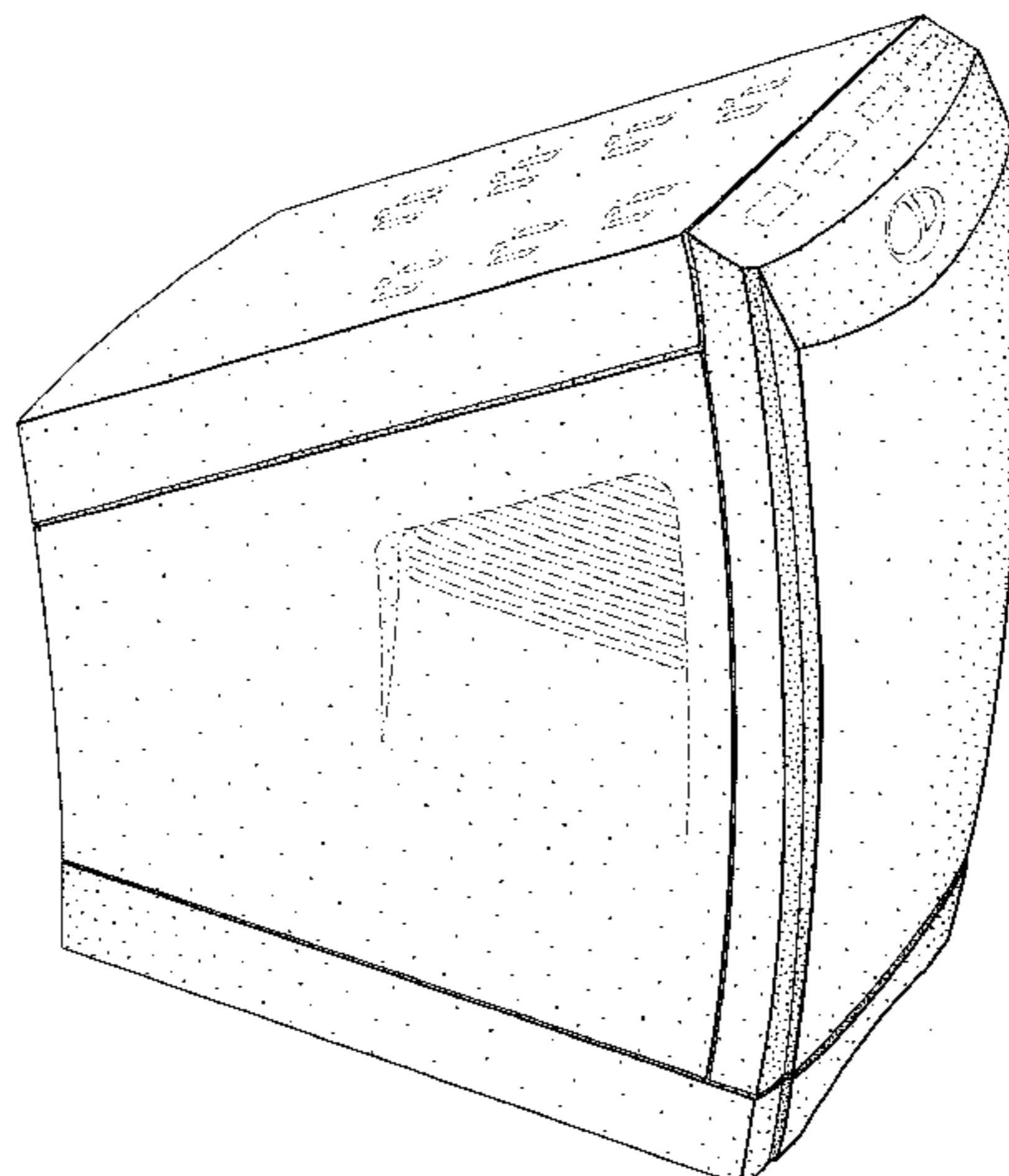
FIG. 5 is a top view of the uninterruptible power supply of
FIG. 1;

FIG. 6 is a bottom view of the uninterruptible power supply
of FIG. 1; and,

FIG. 7 is a right side view of the uninterruptable power
supply of FIG. 1.

Any broken line illustrations in the drawings are not part of
the claimed design.

1 Claim, 7 Drawing Sheets



US D456,352 S

Page 2

U.S. PATENT DOCUMENTS

D378,577 S	3/1997	Peroni	5,768,097 A	6/1998	Jelinger	
5,645,449 A	7/1997	Sabo	D396,688 S	* 8/1998	Lin D13/110
5,701,244 A	12/1997	Emmert et al.	D402,626 S	* 12/1998	Fujita et al.	D13/110
D391,554 S	3/1998	Latchaw	D406,100 S	* 2/1999	Murphy D13/110
5,744,750 A	4/1998	Almond	5,980,279 A	11/1999	Müller 439/142
D394,424 S	5/1998	Wachter				

* cited by examiner

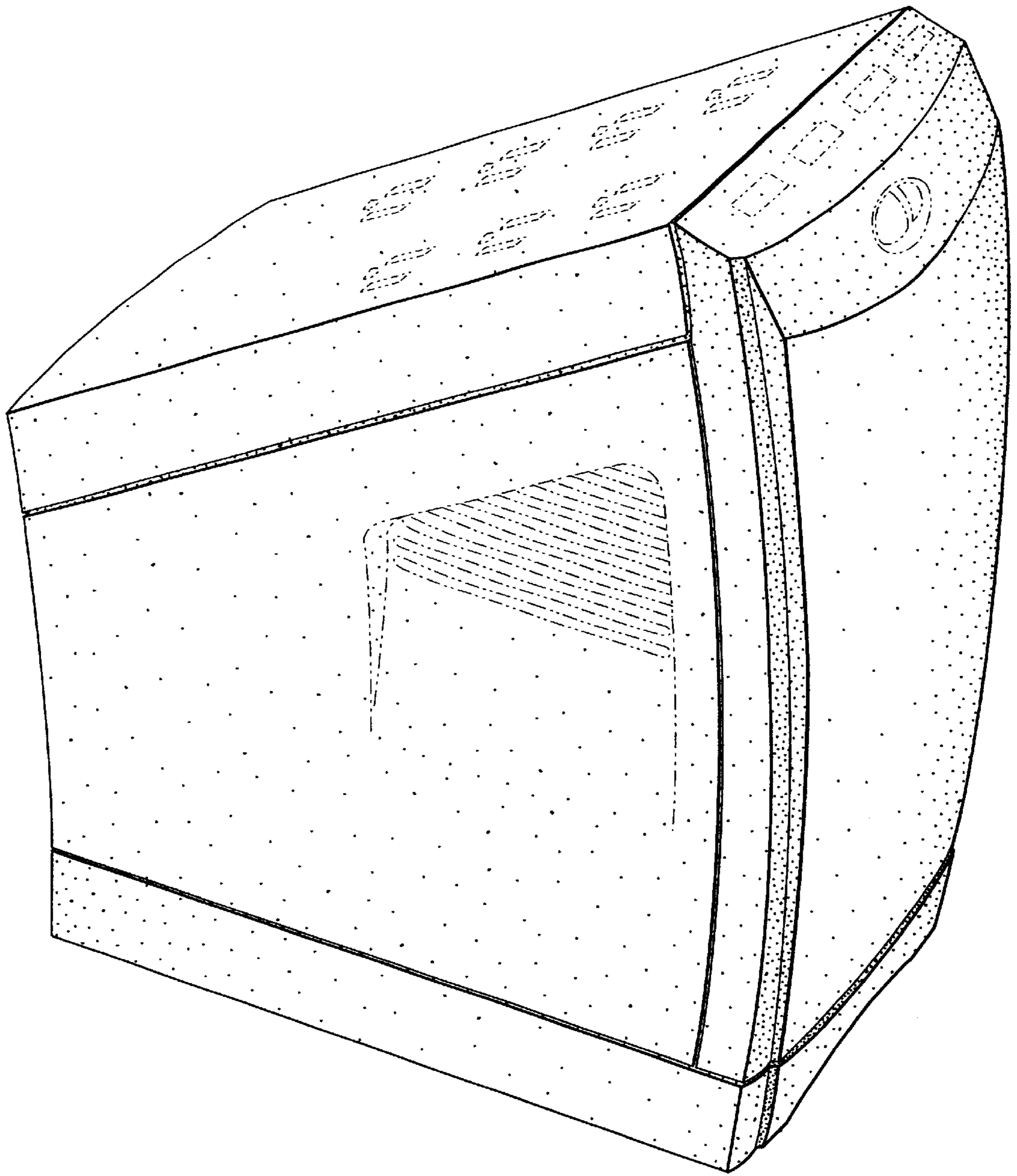


Fig. 1

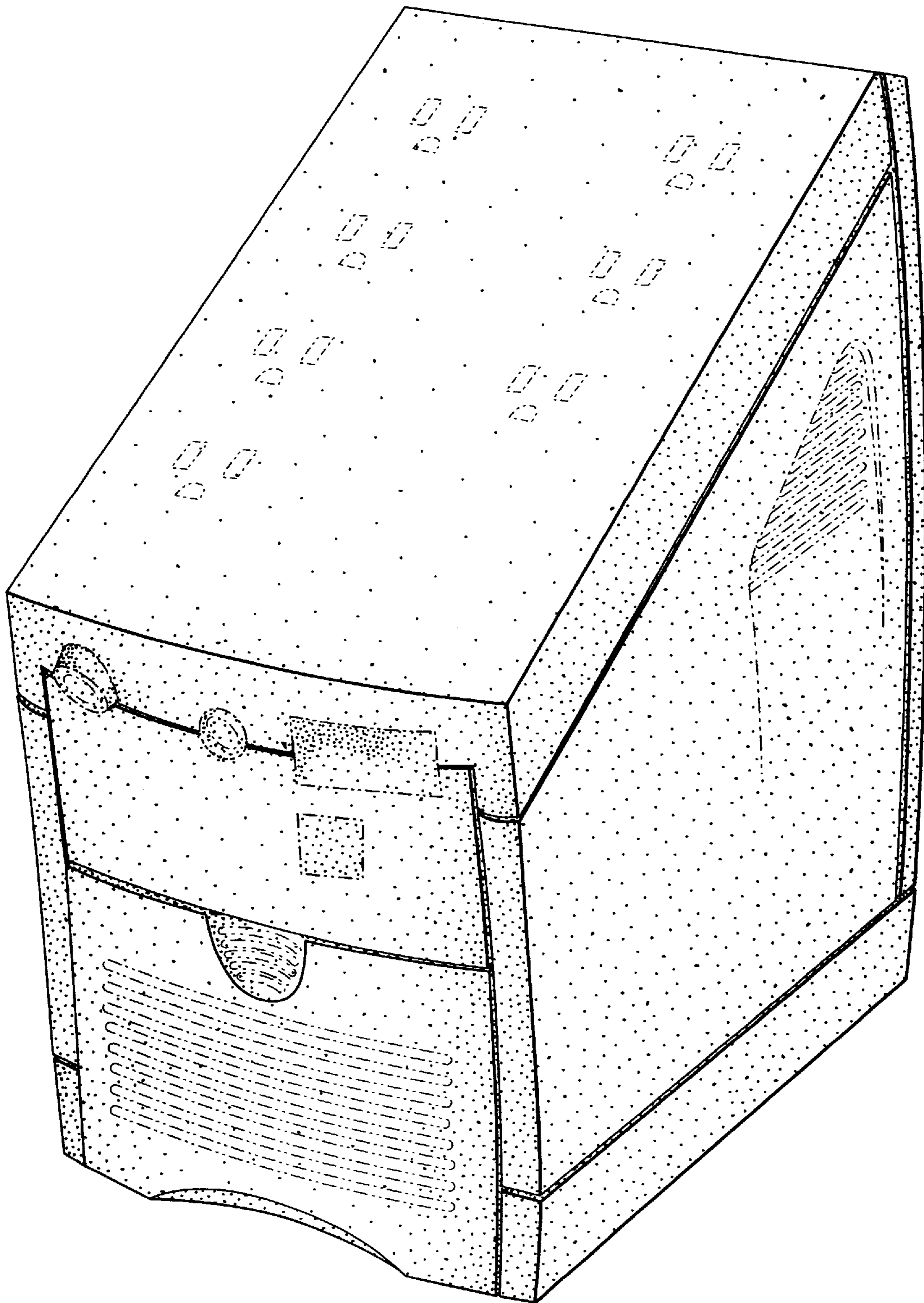


Fig. 2

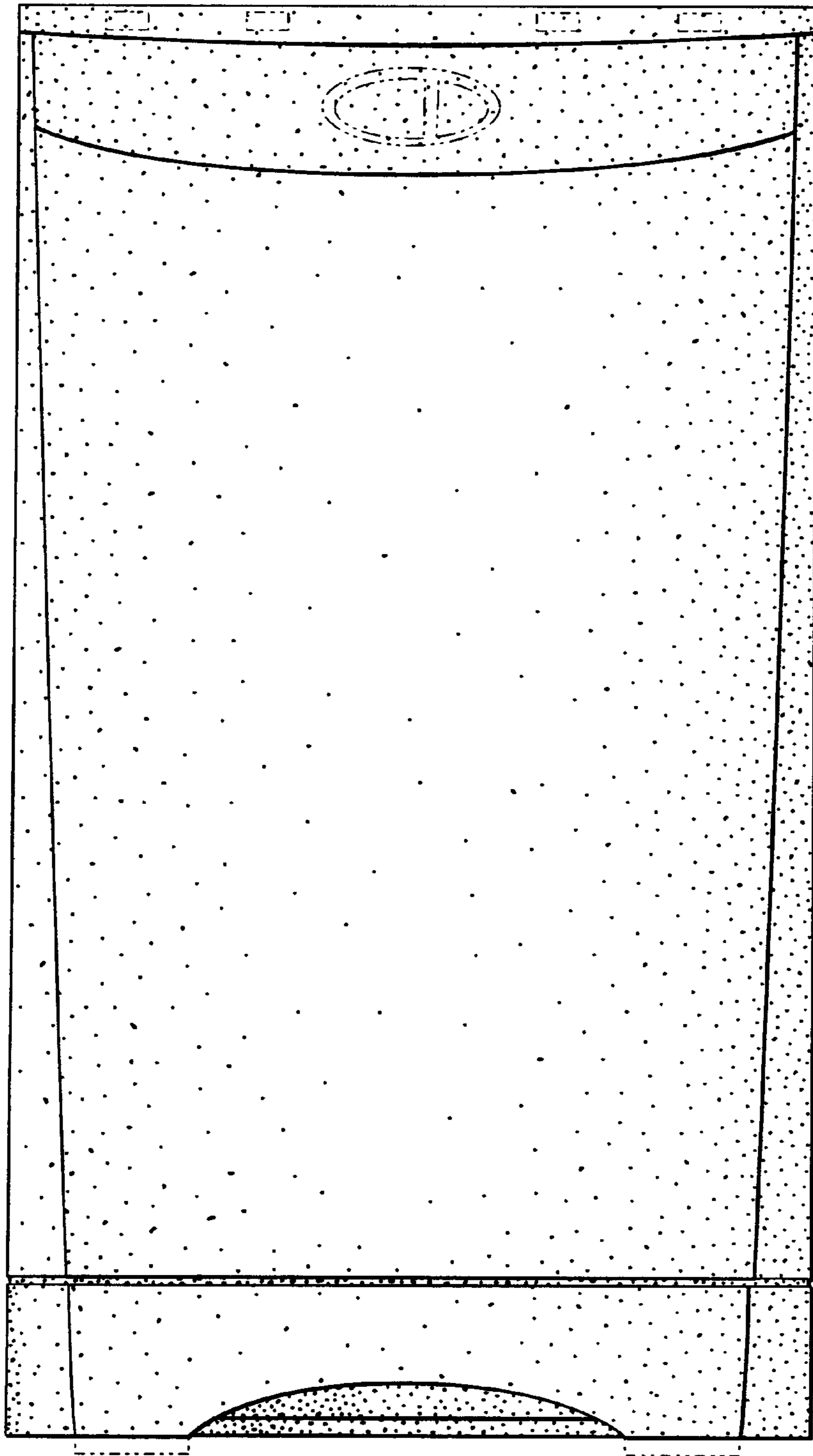


Fig. 3

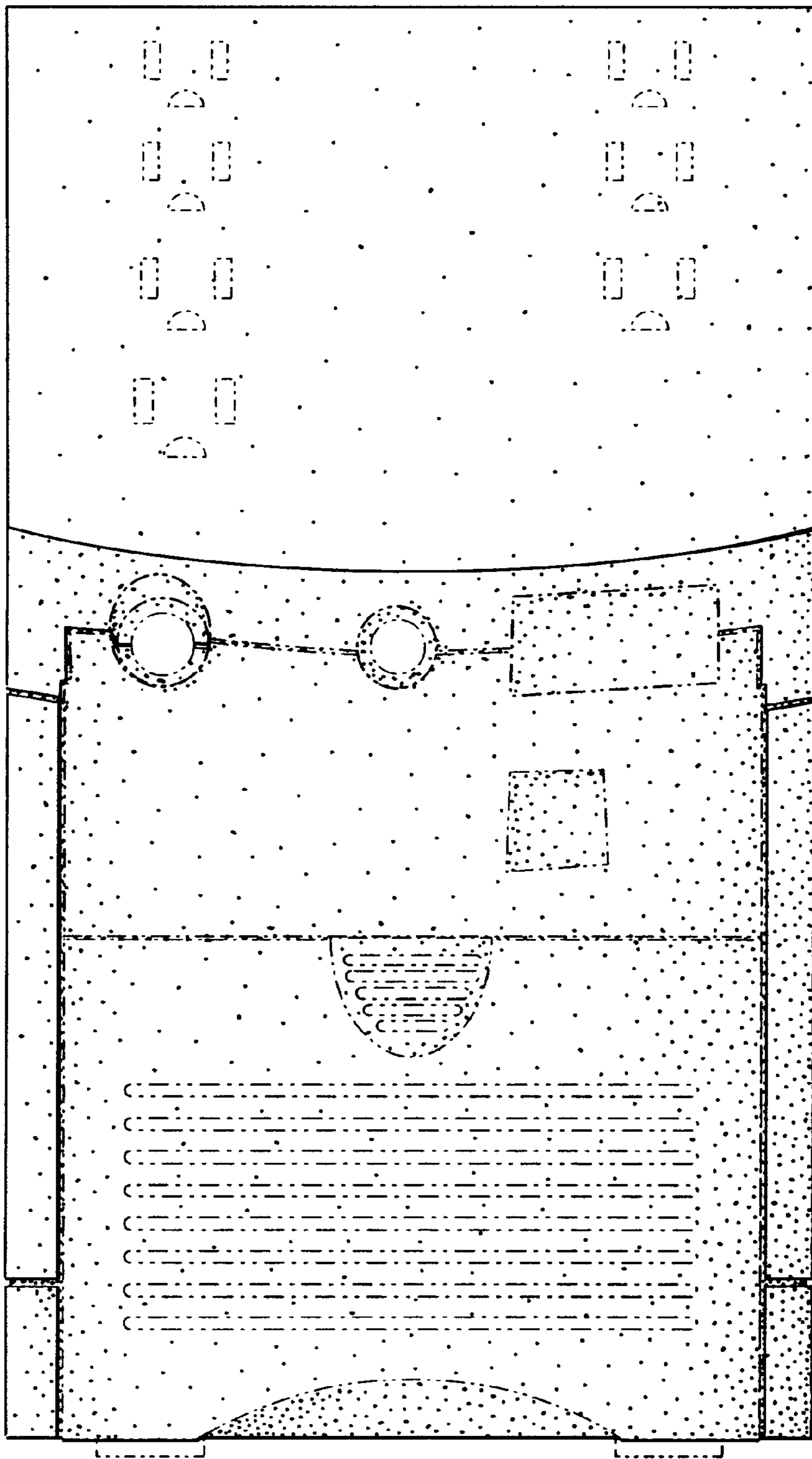


Fig. 4

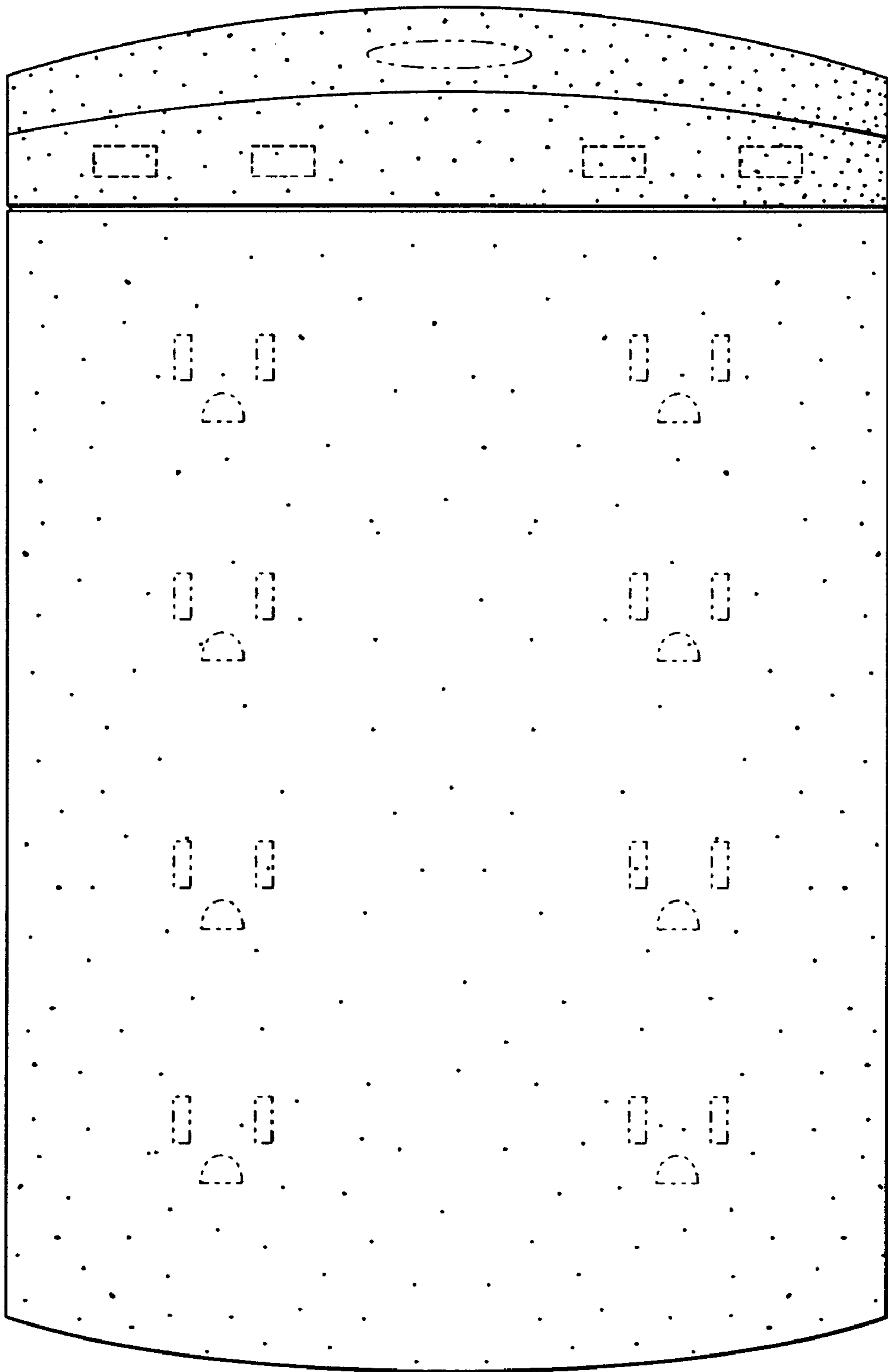


Fig. 5

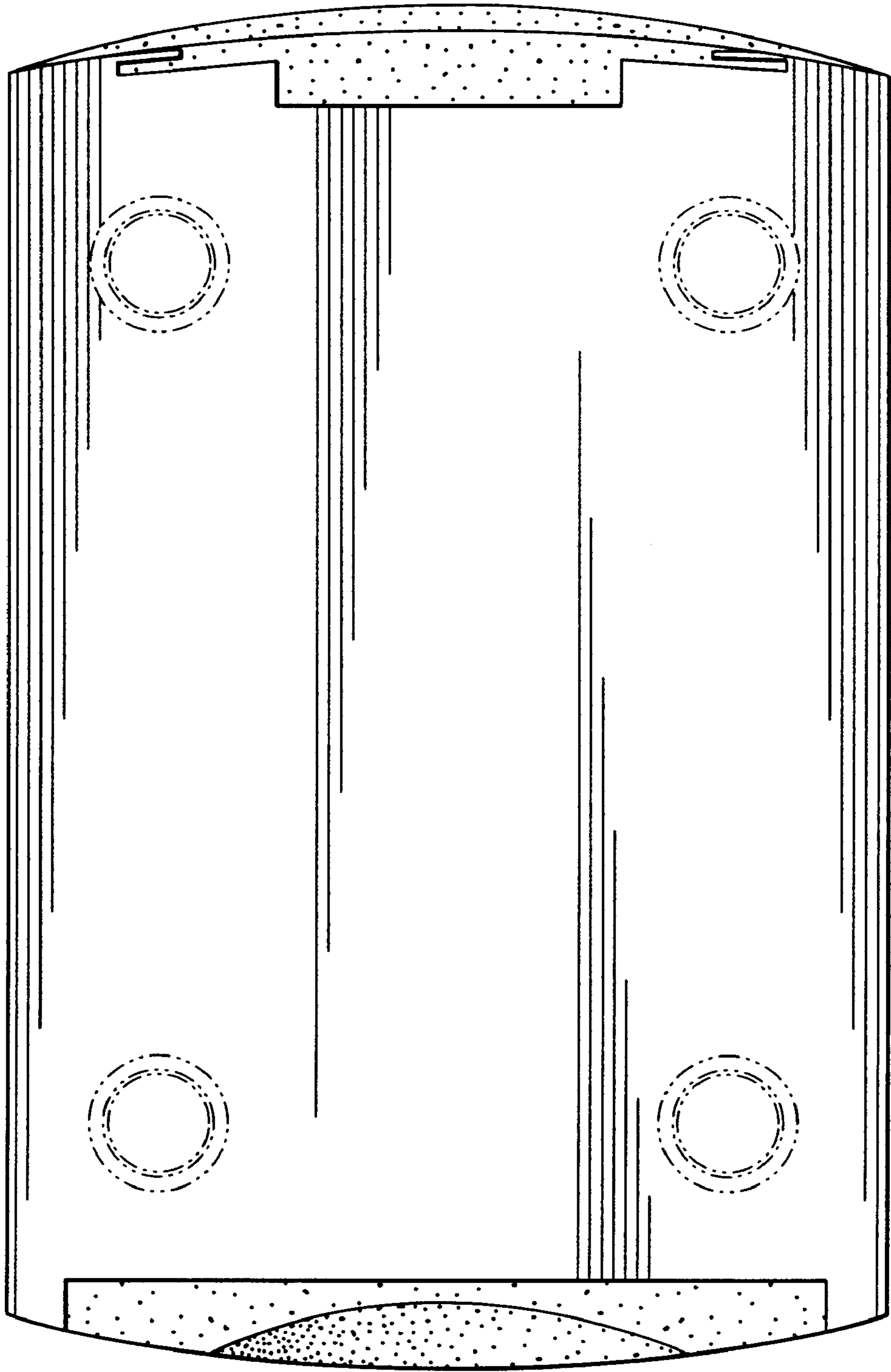


Fig. 6

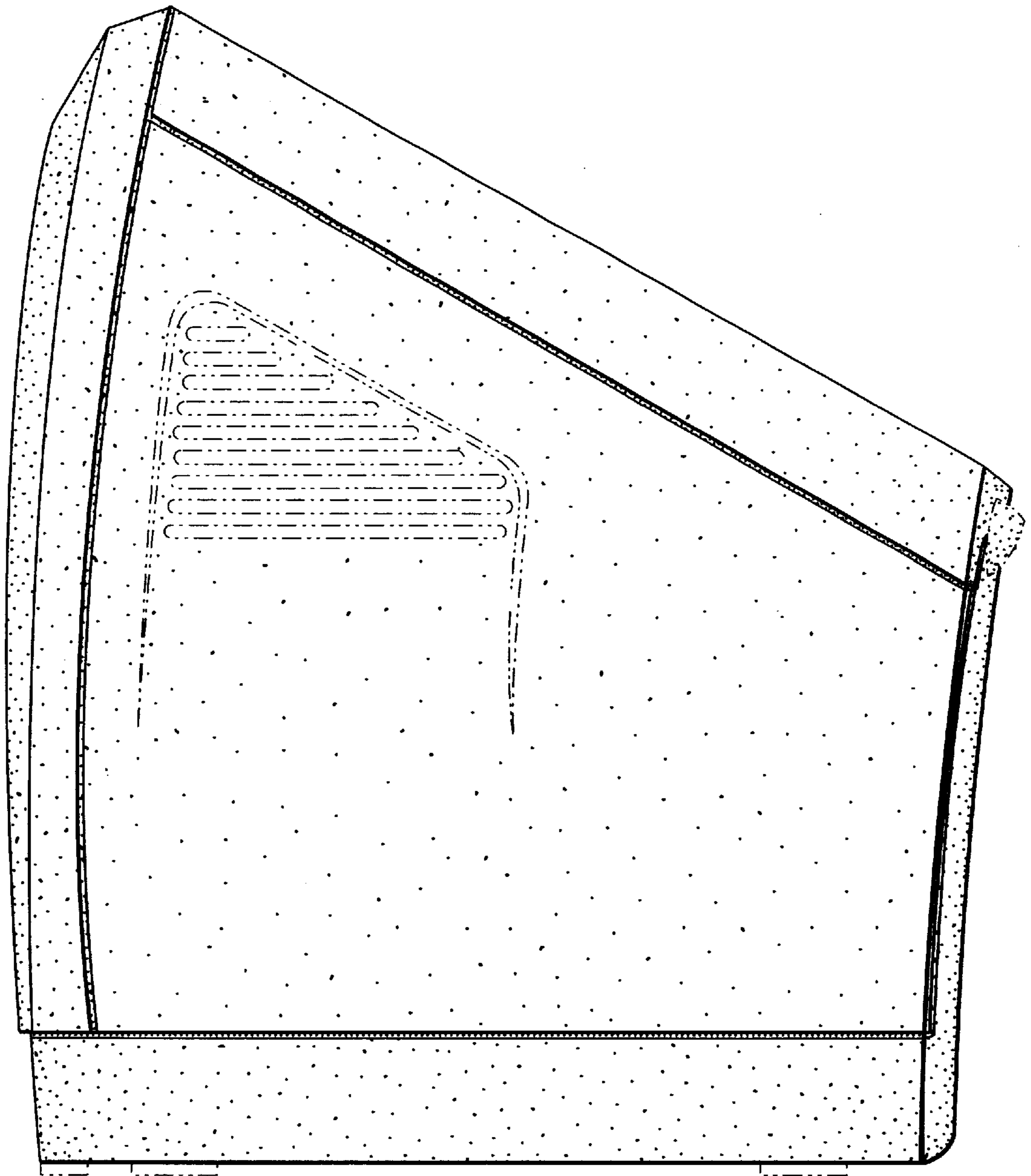


Fig. 7