



US00D456350S

(12) **United States Design Patent**  
**Mott et al.**

(10) **Patent No.:** **US D456,350 S**  
(45) **Date of Patent:** **\*\* Apr. 30, 2002**

(54) **PROGRAMMABLE AUDIO PLAYER CHARGING UNIT**

(75) Inventors: **Tim Mott**, Ketchum, ID (US); **Don Katz**, Montclair, NJ (US); **Guy Story**, New York, NY (US); **Scott Brenneman**, Menlo Park; **Thomas Overthun**, San Francisco, both of CA (US)

(73) Assignee: **Audible, Inc.**, Wayne, NJ (US)

(\*\*) Term: **14 Years**

(21) Appl. No.: **29/078,950**

(22) Filed: **Nov. 6, 1997**

(51) **LOC (7) Cl.** ..... **13-02**

(52) **U.S. Cl.** ..... **D13/108**

(58) **Field of Search** ..... D13/107, 108;  
D14/253; 320/107-115

(56) **References Cited**

**U.S. PATENT DOCUMENTS**

D358,364 S	*	5/1995	Siddoway	.....	D13/108
D413,097 S	*	8/1999	Chang	.....	D13/107
D419,956 S	*	2/2000	Lucaci et al.	.....	D13/108

\* cited by examiner

*Primary Examiner*—Joel Sincavage

(74) *Attorney, Agent, or Firm*—Blakely, Sokoloff, Taylor & Zafman LLP

(57) **CLAIM**

The ornamental design for a programmable audio player charging unit, as shown and described.

**DESCRIPTION**

A portion of the disclosure of this patent document contains material to which a claim for copyright is made. The copyright owner has no objection to the facsimile reproduc-

tion by anyone of the patent documents or the patent disclosure as it appears in the Patent and Trademark Office patent file or records, but reserves all other copyright rights whatsoever.

FIG. 1 is a perspective view of a programmable audio player charging unit, showing a preferred embodiment of our new ornamental design.

FIG. 2 is a top view of a programmable audio player charging unit, showing a preferred embodiment of our new ornamental design.

FIG. 3 is a right side view of a programmable audio player charging unit, showing a preferred embodiment of our new ornamental design.

FIG. 4 is a left side view of a programmable audio player charging unit, showing a preferred embodiment of our new ornamental design.

FIG. 5 is a back view of a programmable audio player charging unit, showing a preferred embodiment of our new ornamental design.

FIG. 6 is a front view of a programmable audio player charging unit, showing a preferred embodiment of our new ornamental design.

FIG. 7 is a bottom view of a programmable audio player charging unit, showing a preferred embodiment of our new ornamental design.

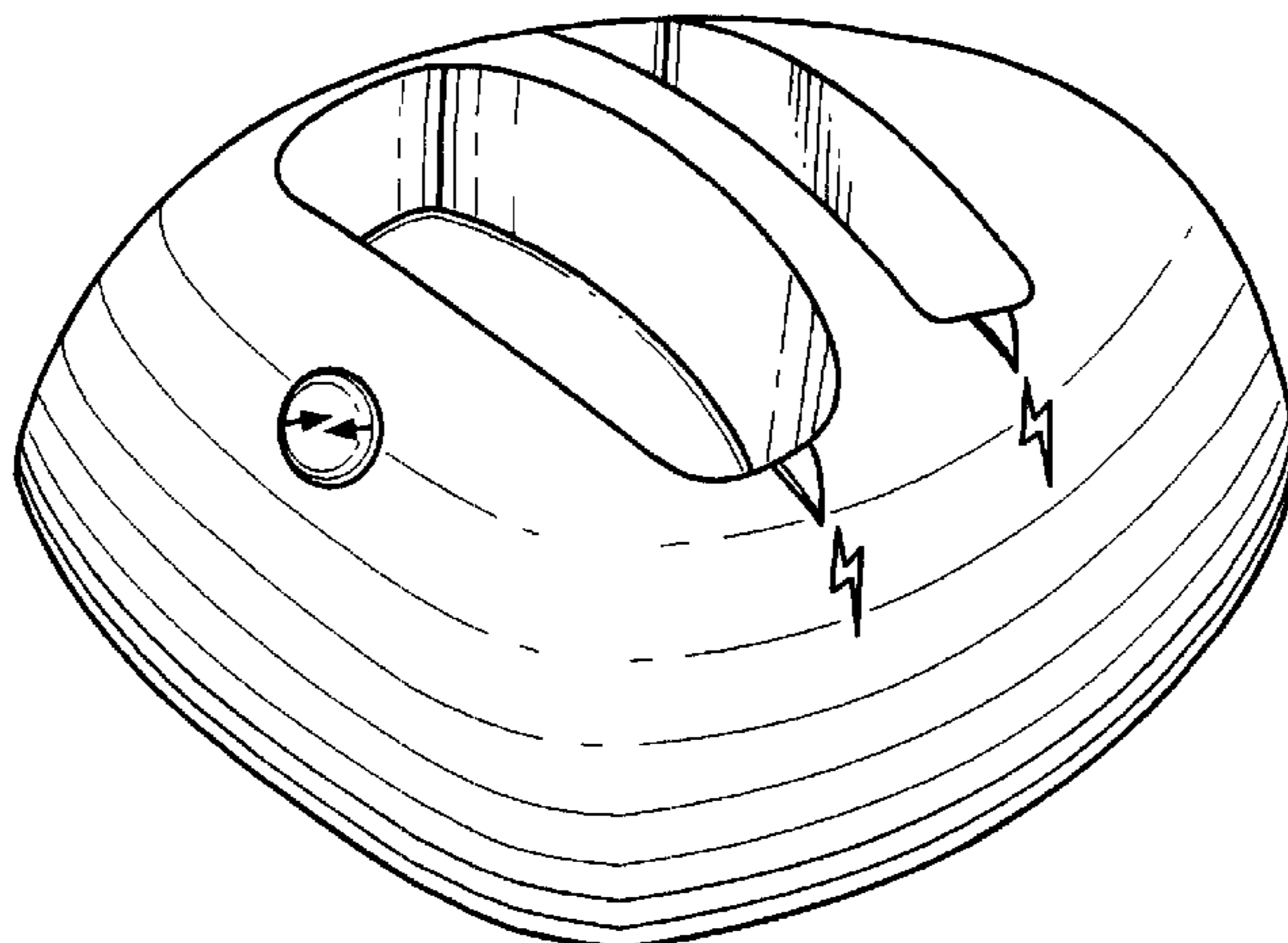
FIG. 8 is a right side view of a programmable audio player charging unit with a programmable audio player inserted therein, showing a preferred embodiment of our new ornamental design.

FIG. 9 is a front view of a programmable audio player charging unit with a programmable audio player inserted therein, showing a preferred embodiment of our new ornamental design; and,

FIG. 10 is a perspective view of a programmable audio player charging unit with a programmable audio player inserted therein, showing a preferred embodiment of our new ornamental design.

The broken lines showing the programmable audio player are included for the purpose of illustrating environmental structure only and form no part of the claimed design.

**1 Claim, 5 Drawing Sheets**



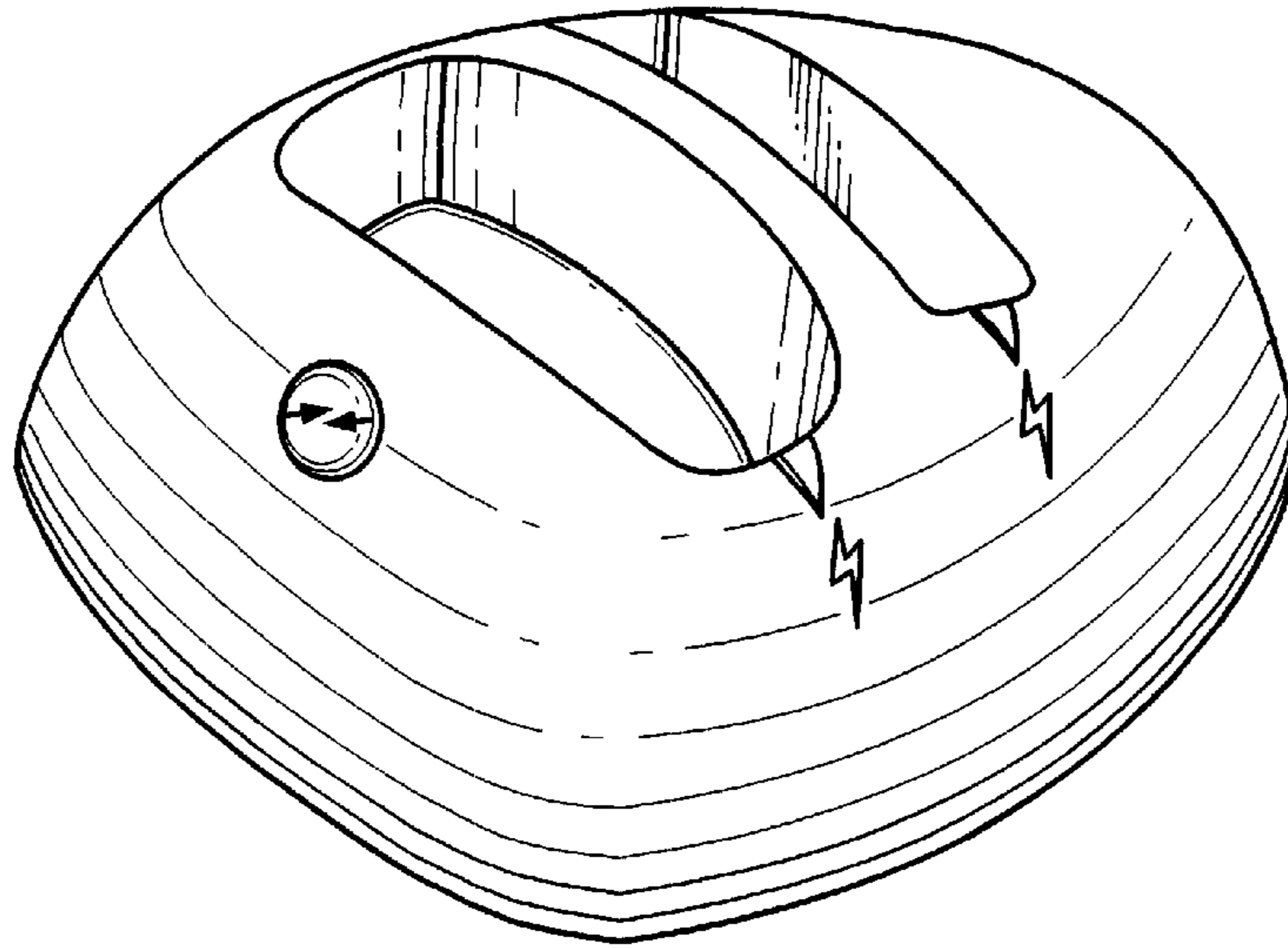


FIG. 1

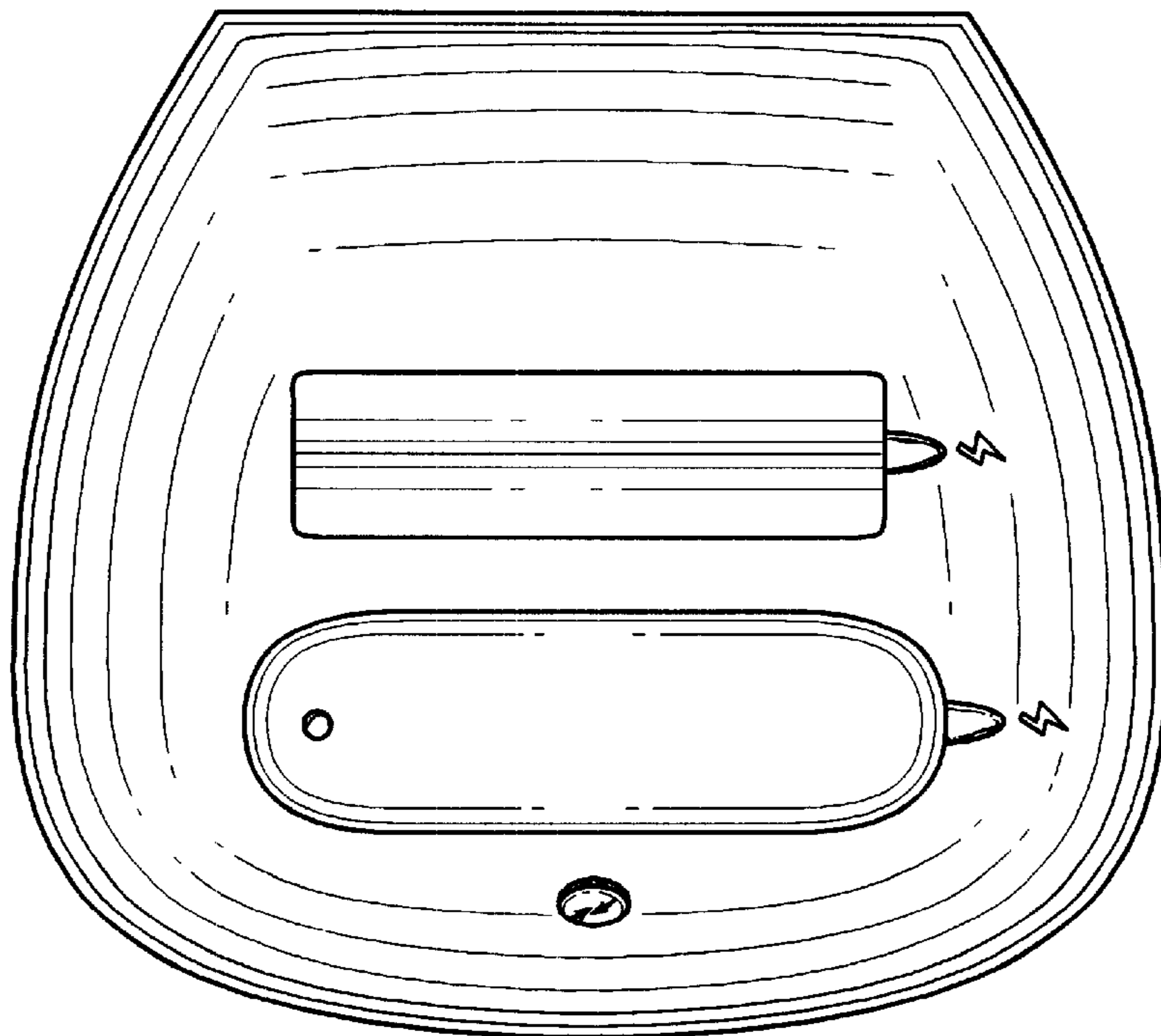


FIG. 2

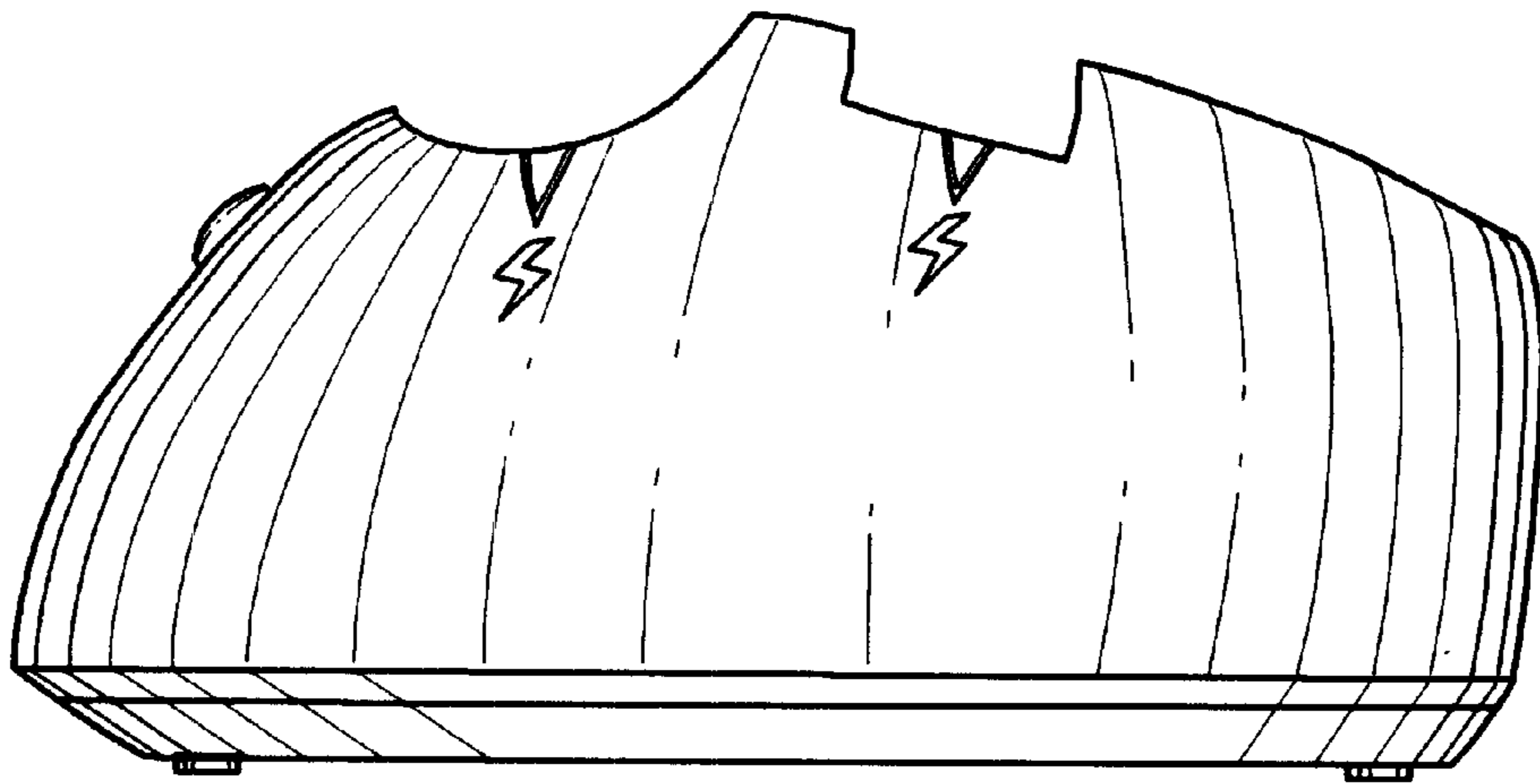


FIG. 3

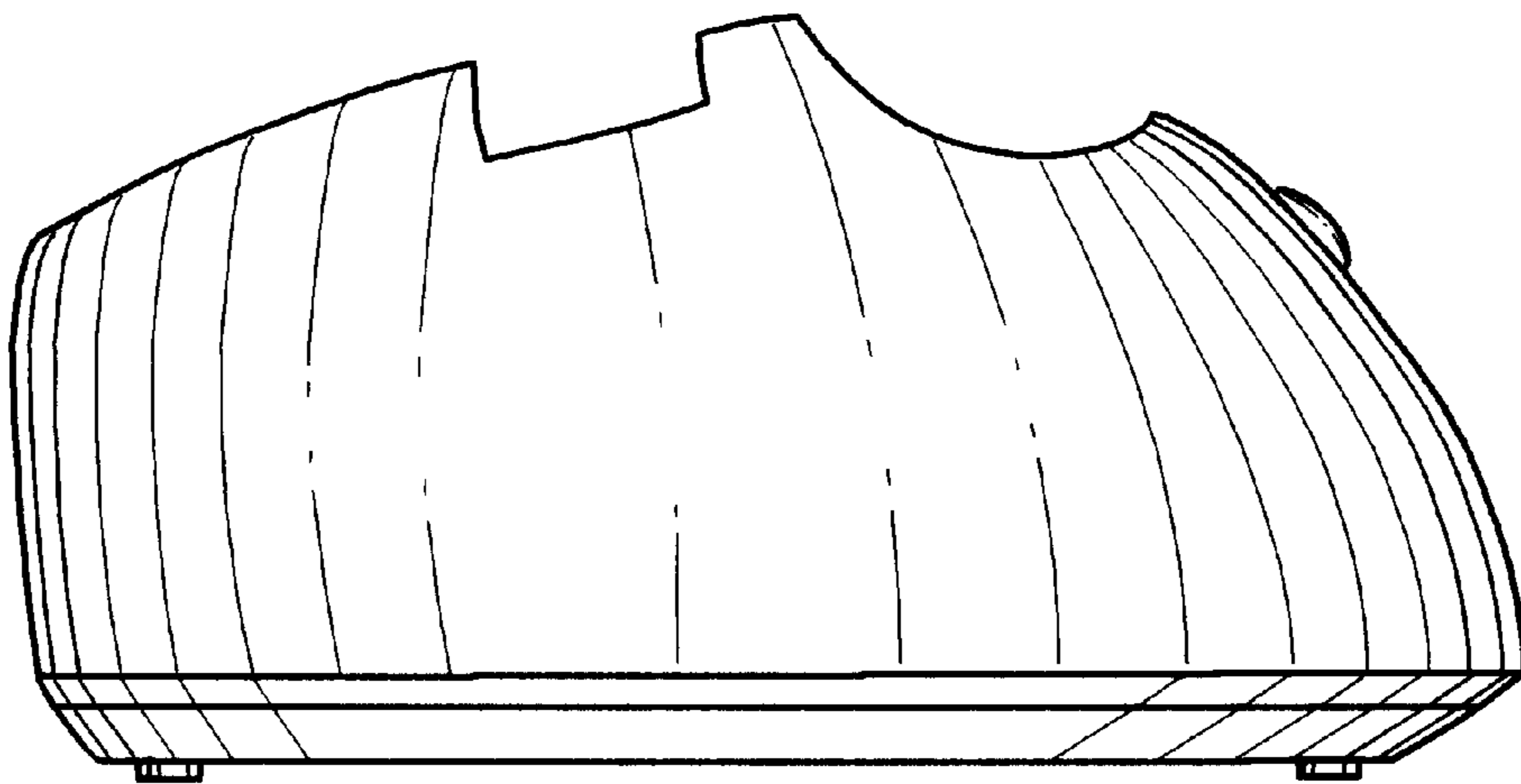


FIG. 4

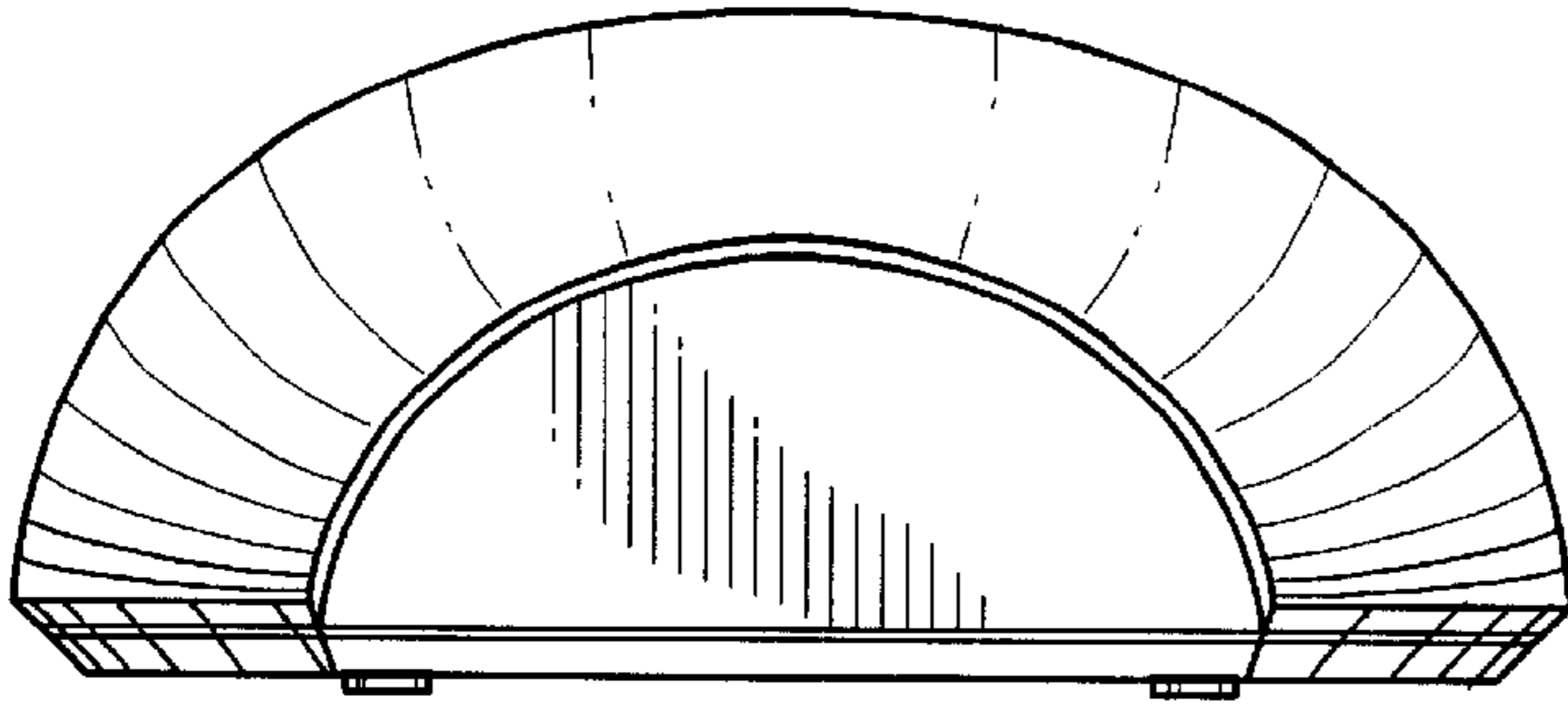


FIG. 5

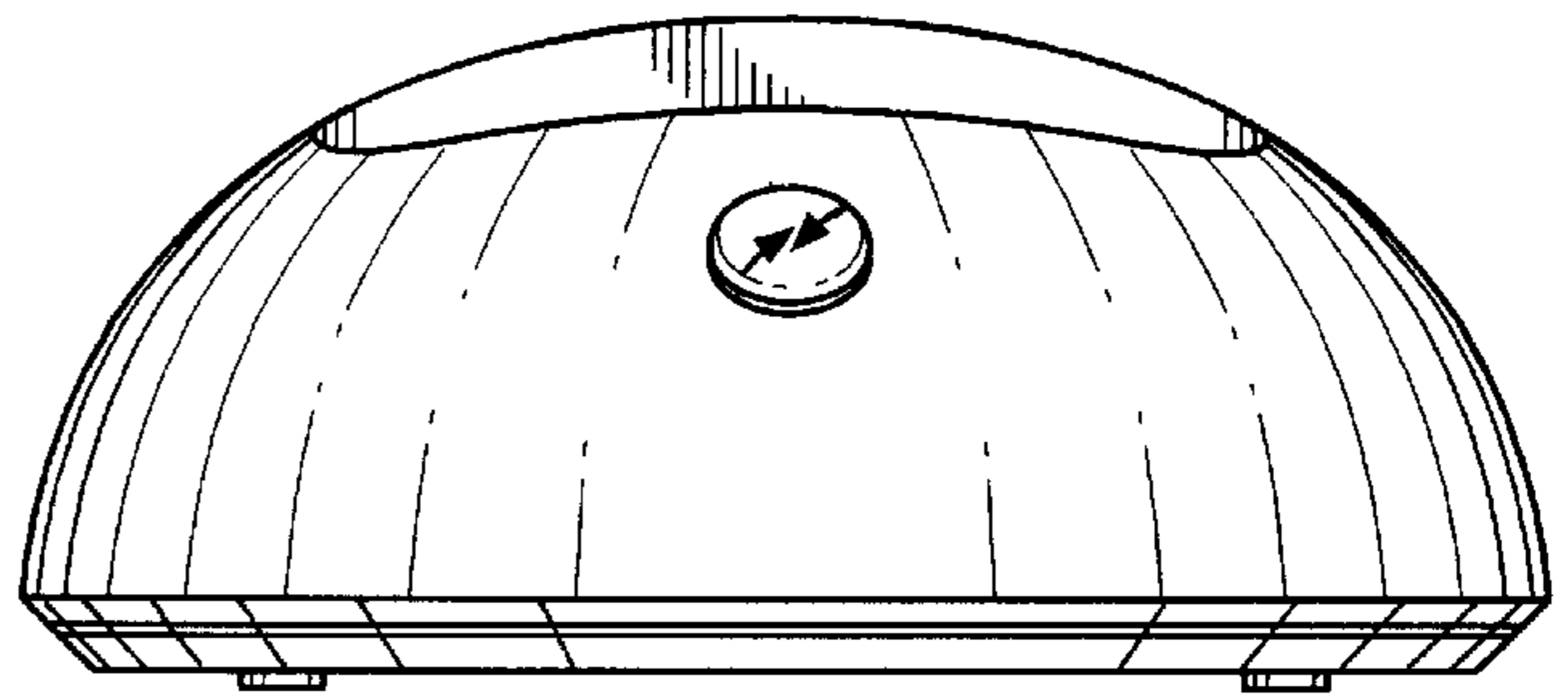


FIG. 6

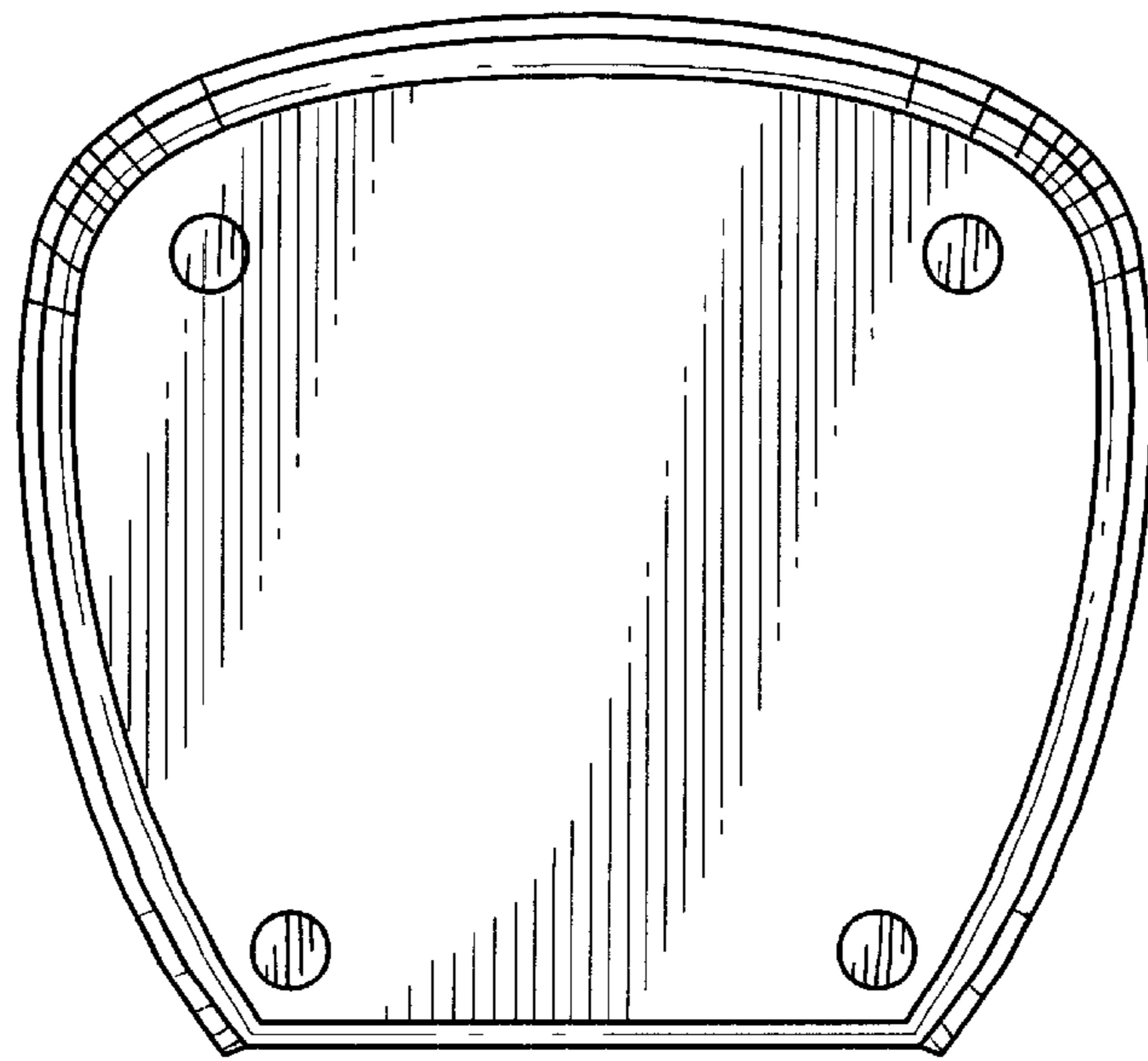


FIG. 7

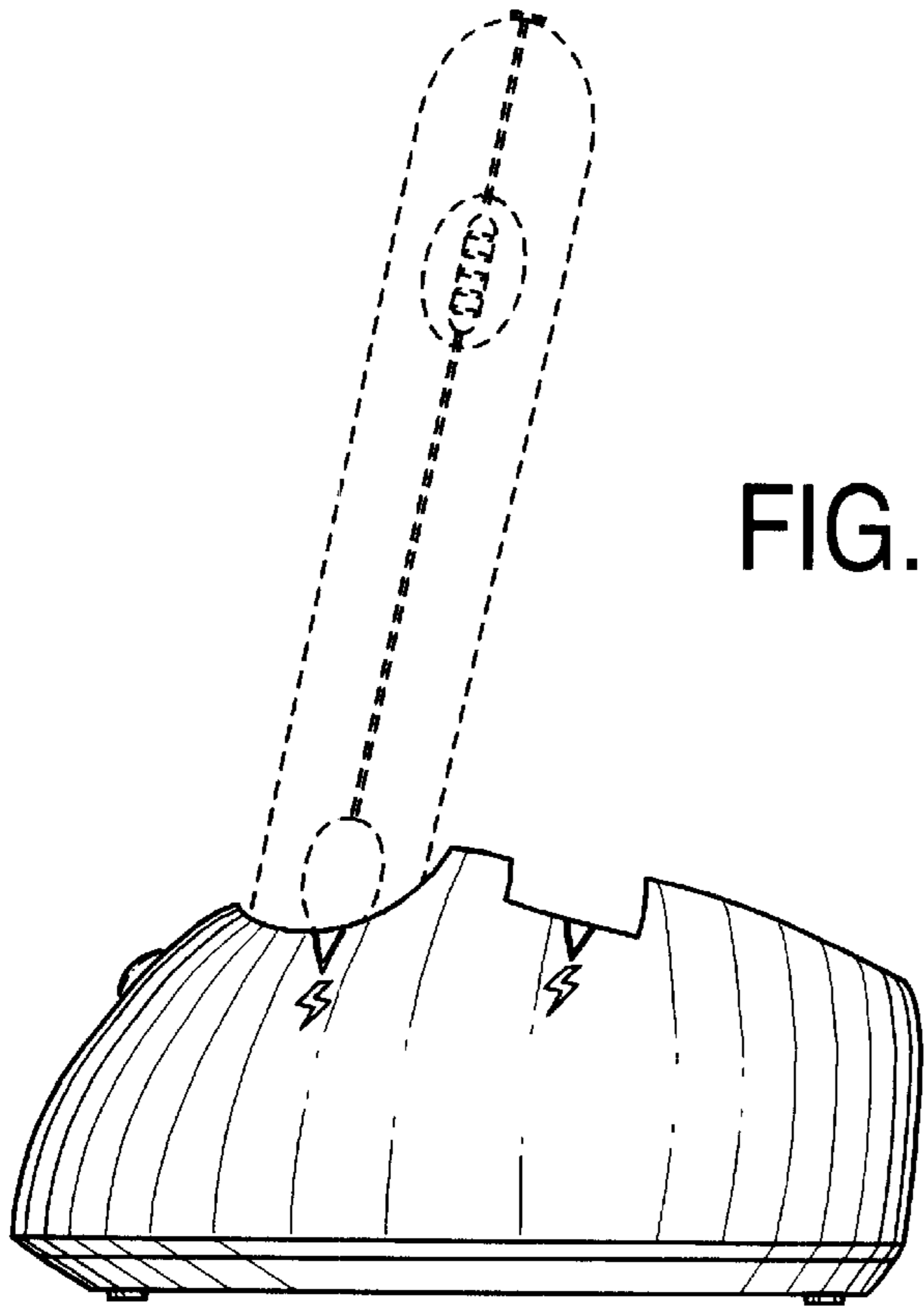
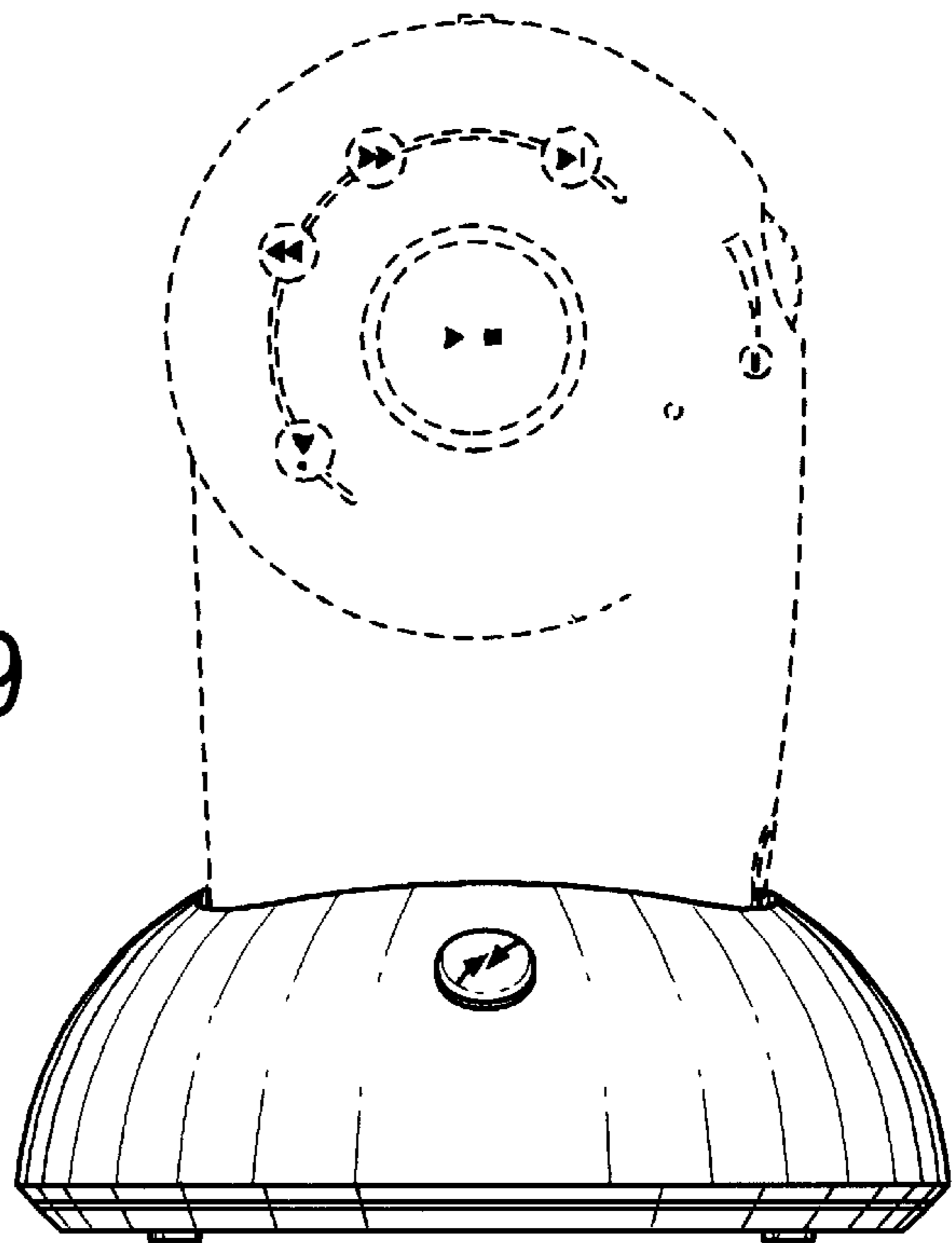


FIG. 8

FIG. 9



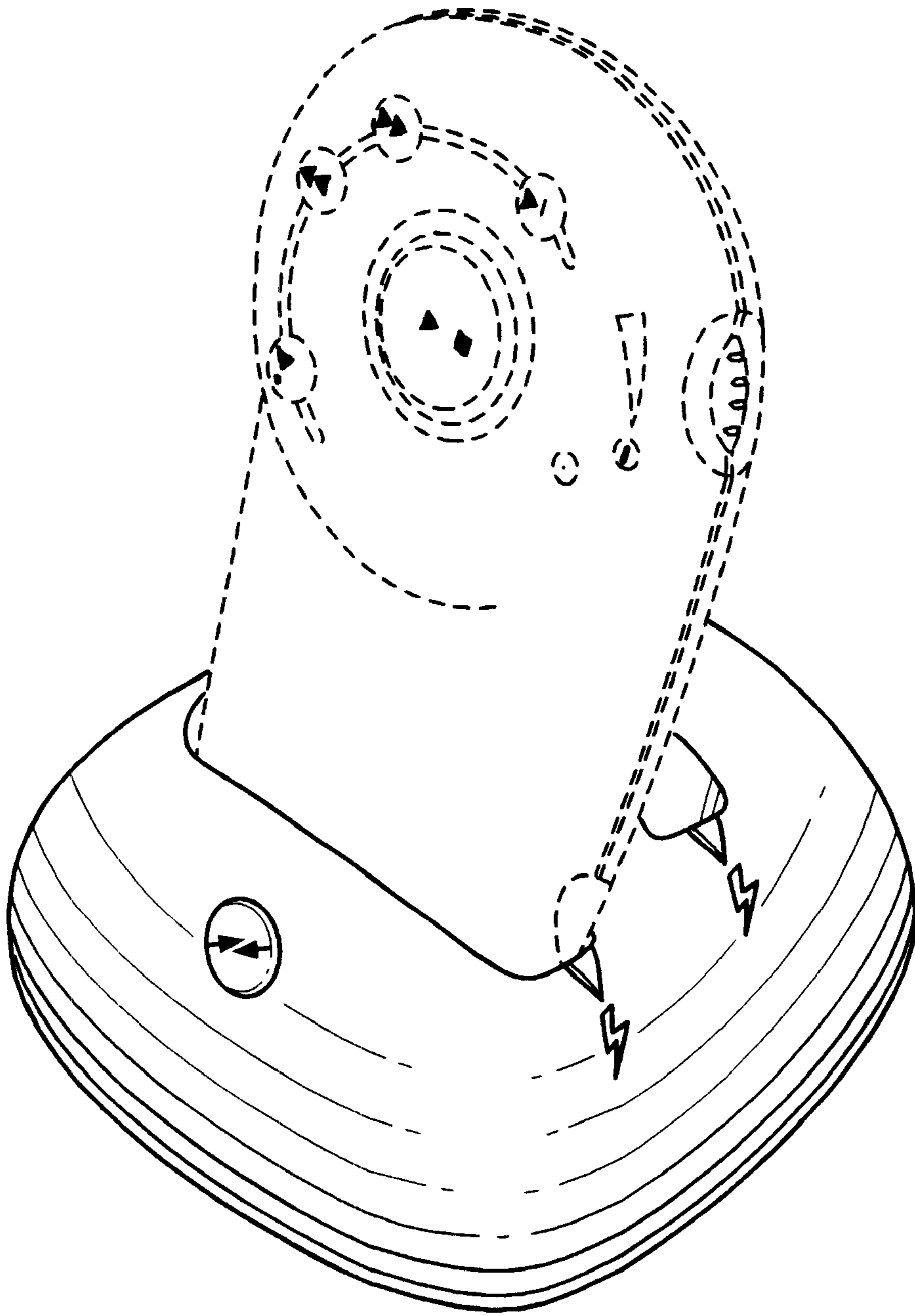


FIG. 10