



US00D456348S

(12) **United States Design Patent**
Funakoshi

(10) **Patent No.:** **US D456,348 S**

(45) **Date of Patent:** **** Apr. 30, 2002**

(54) **BATTERY HOLDER**

6,169,857 B1 * 1/2001 Kaneko 396/301

(75) Inventor: **Yasuo Funakoshi**, Hachioji (JP)

FOREIGN PATENT DOCUMENTS

(73) Assignee: **Olympus Optical Co., Ltd.**, Tokyo (JP)

GB 2051926 * 7/1996

(**) Term: **14 Years**

* cited by examiner

(21) Appl. No.: **29/133,511**

Primary Examiner—Joel Sincavage

(22) Filed: **Nov. 29, 2000**

(74) *Attorney, Agent, or Firm*—Hogan & Hartson, L.L.P.

(30) **Foreign Application Priority Data**

(57) **CLAIM**

Jun. 14, 2000 (JP) 2000-016001

The ornamental design for a battery holder, as shown and described.

(51) **LOC (7) Cl.** **13-02**

DESCRIPTION

(52) **U.S. Cl.** **D13/103; D16/219; D16/237**

FIG. 1 is a rear, top and left side perspective view of a battery holder, showing my new design;

(58) **Field of Search** D13/103, 119;
D16/237, 219, 208; 429/96-100, 159, 163,
176; 396/277, 539, 388

FIG. 2 is a front, bottom and right side perspective view thereof;

(56) **References Cited**

U.S. PATENT DOCUMENTS

- 3,820,148 A * 6/1974 Osanai 396/387
- 4,006,489 A * 2/1977 Aizawa et al. 396/388
- 4,167,314 A * 9/1979 Ichiyanagi et al. 396/406
- 4,349,262 A * 9/1982 Watanabe 396/388
- 4,350,424 A * 9/1982 Iwashita et al. 396/388
- 4,640,598 A * 2/1987 Yoshida 396/388
- 5,325,143 A * 6/1994 Kawano 396/59
- 5,631,098 A * 5/1997 Suzuki 429/96 X
- 5,867,744 A * 2/1999 Matsukawa et al. 396/539 X
- 6,118,949 A * 9/2000 Ohtani 396/277

FIG. 3 is a top plan view thereof;

FIG. 4 is a front elevational view thereof;

FIG. 5 is a bottom plan view thereof;

FIG. 6 is a right side elevational view thereof;

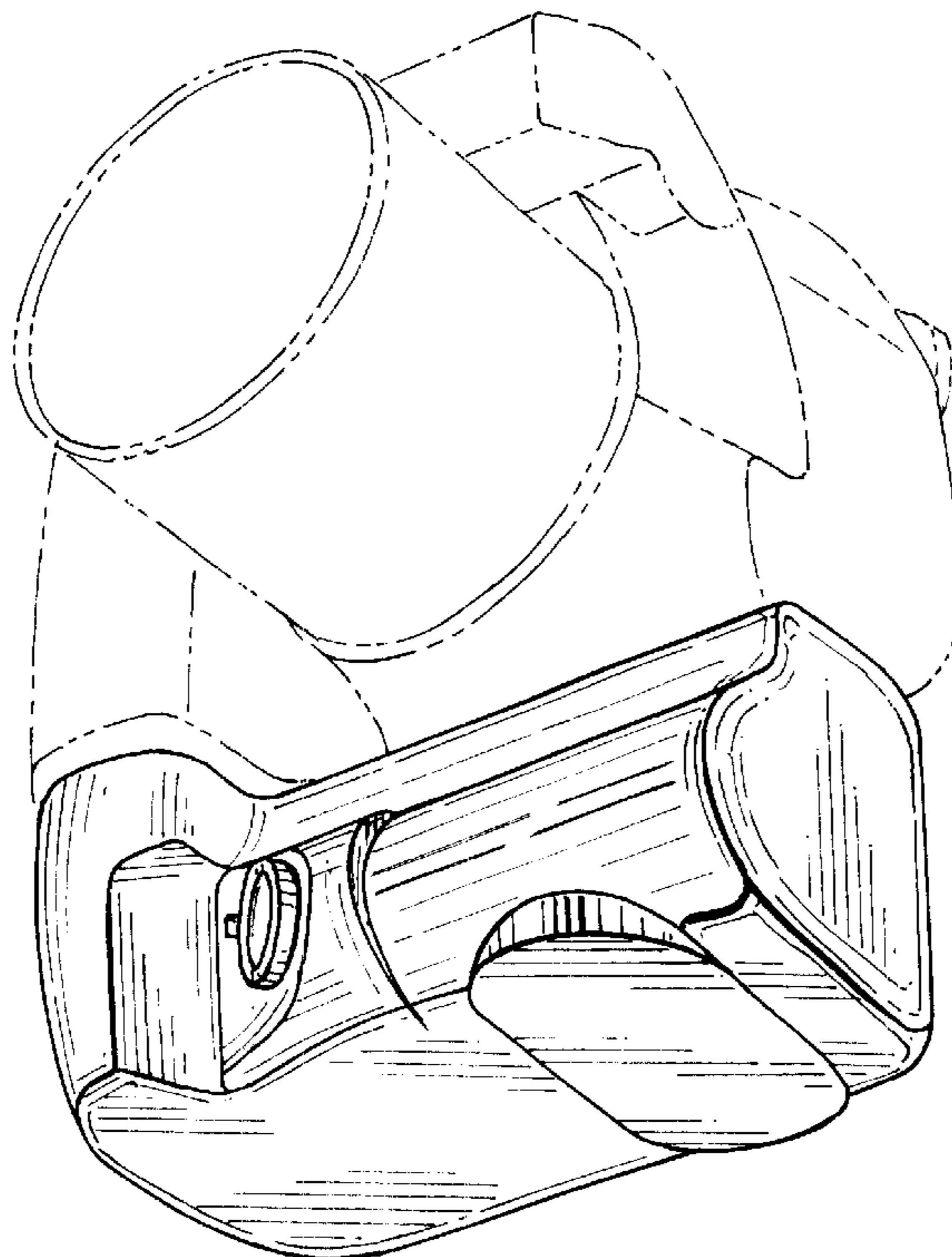
FIG. 7 is a rear elevational view thereof;

FIG. 8 is a left side elevational view thereof; and,

FIG. 9 is a reference view thereof showing the state of use, and the double dotted lines are for illustrative only and form no part of the claimed design.

The broken lines of FIG. 1, FIG. 2, FIG. 3, FIG. 4, FIG. 6, FIG. 7 and FIG. 8 form no part of the claimed design.

1 Claim, 3 Drawing Sheets



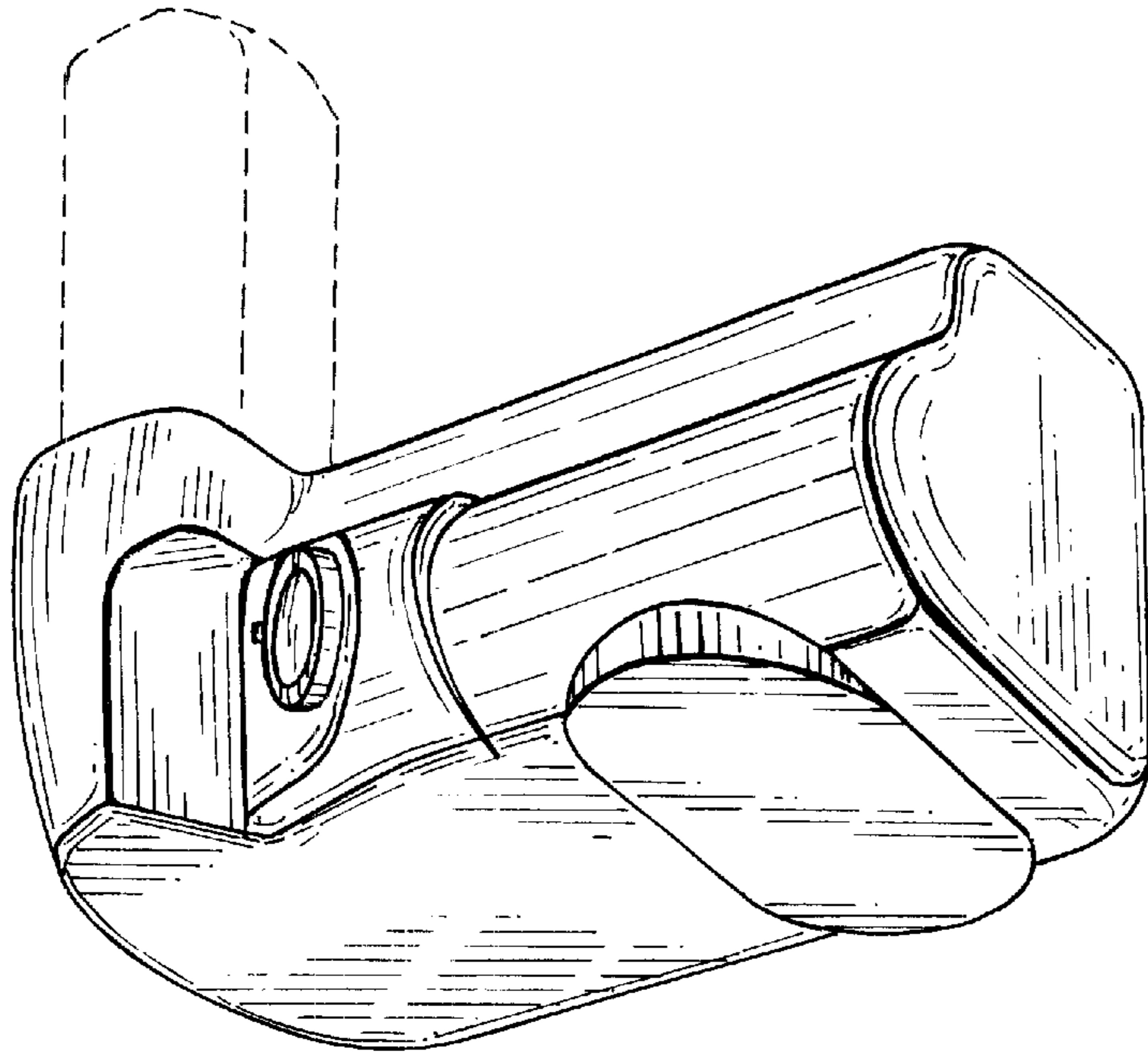


FIG. 2

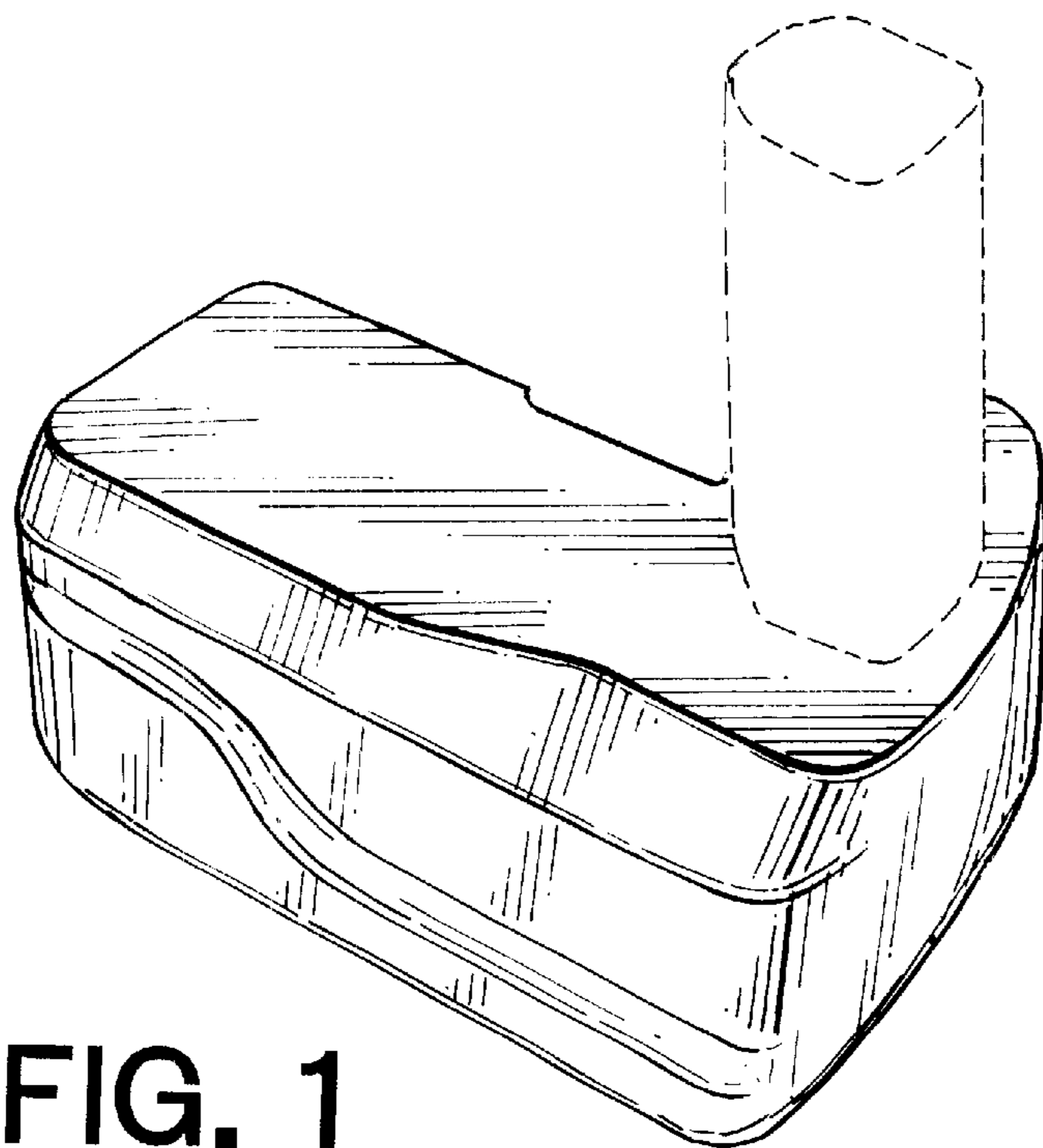


FIG. 1

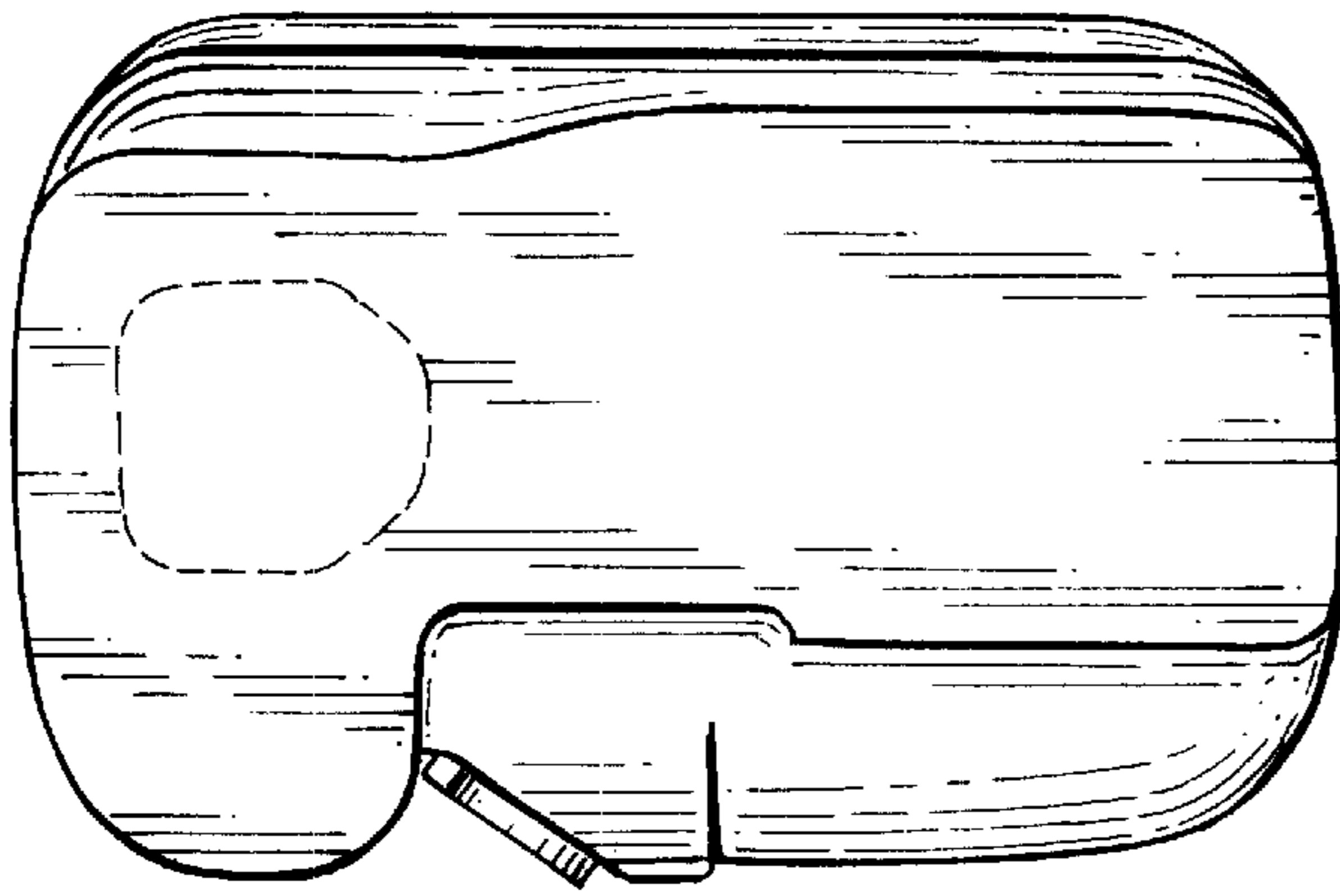


FIG. 3

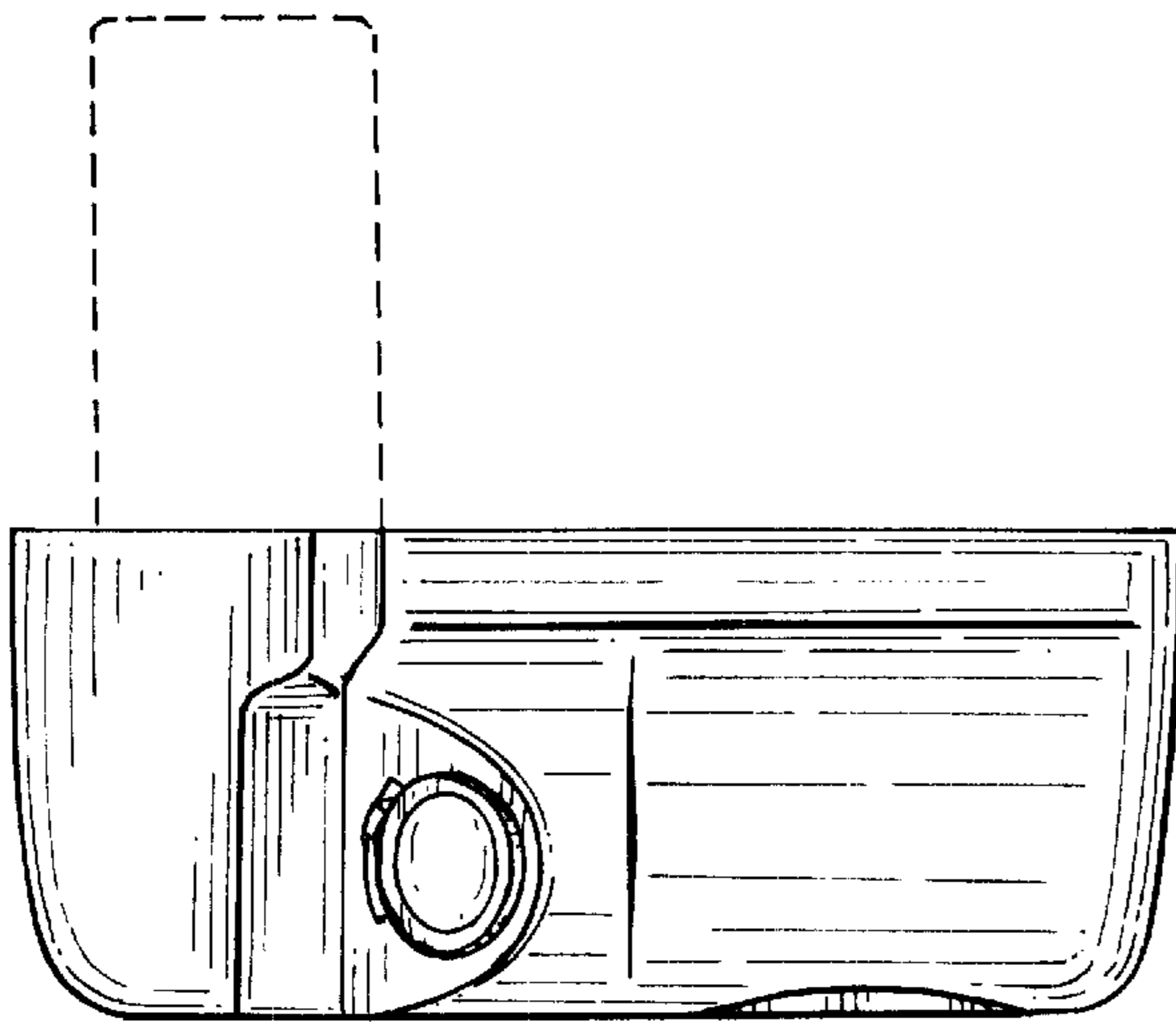


FIG. 4

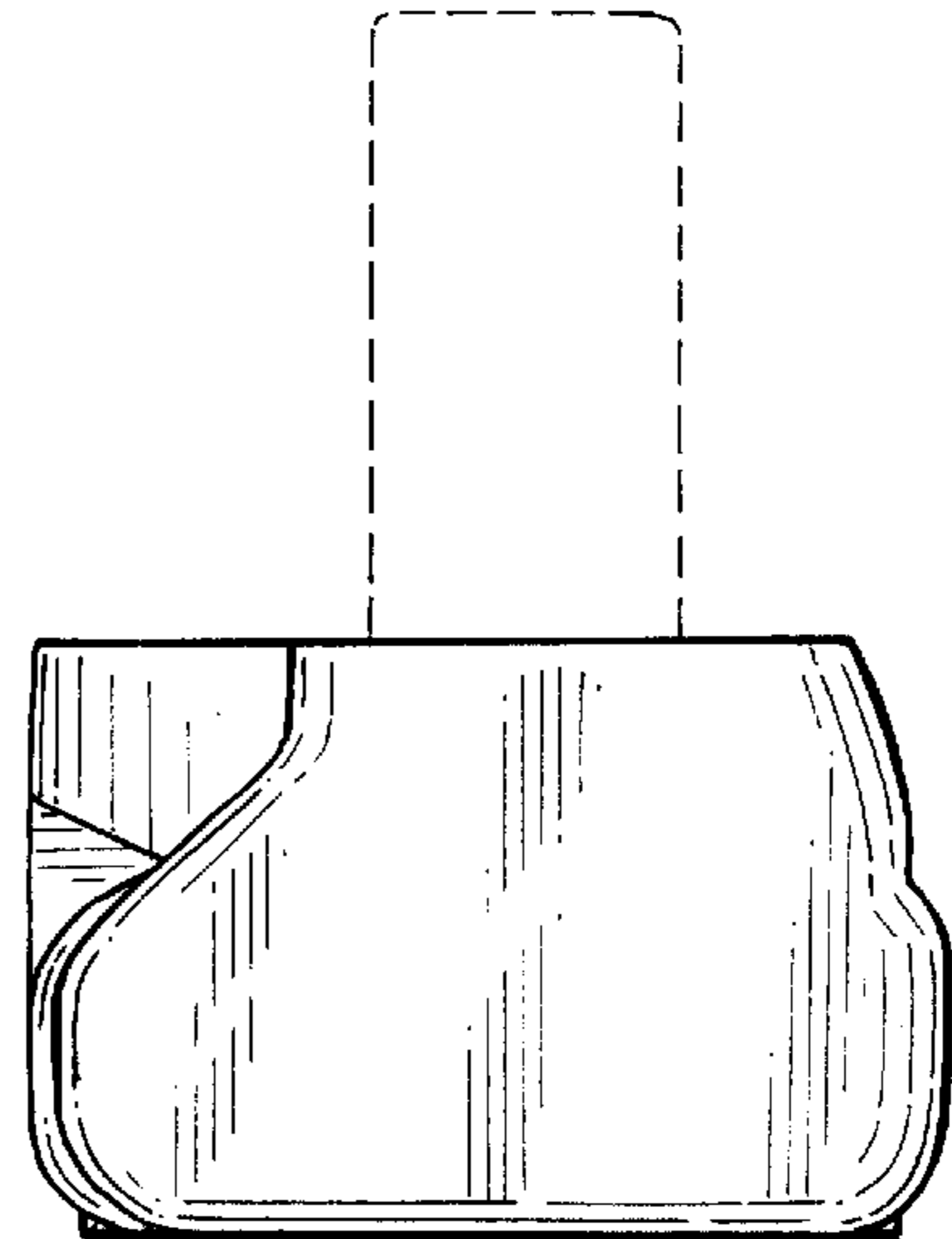


FIG. 6

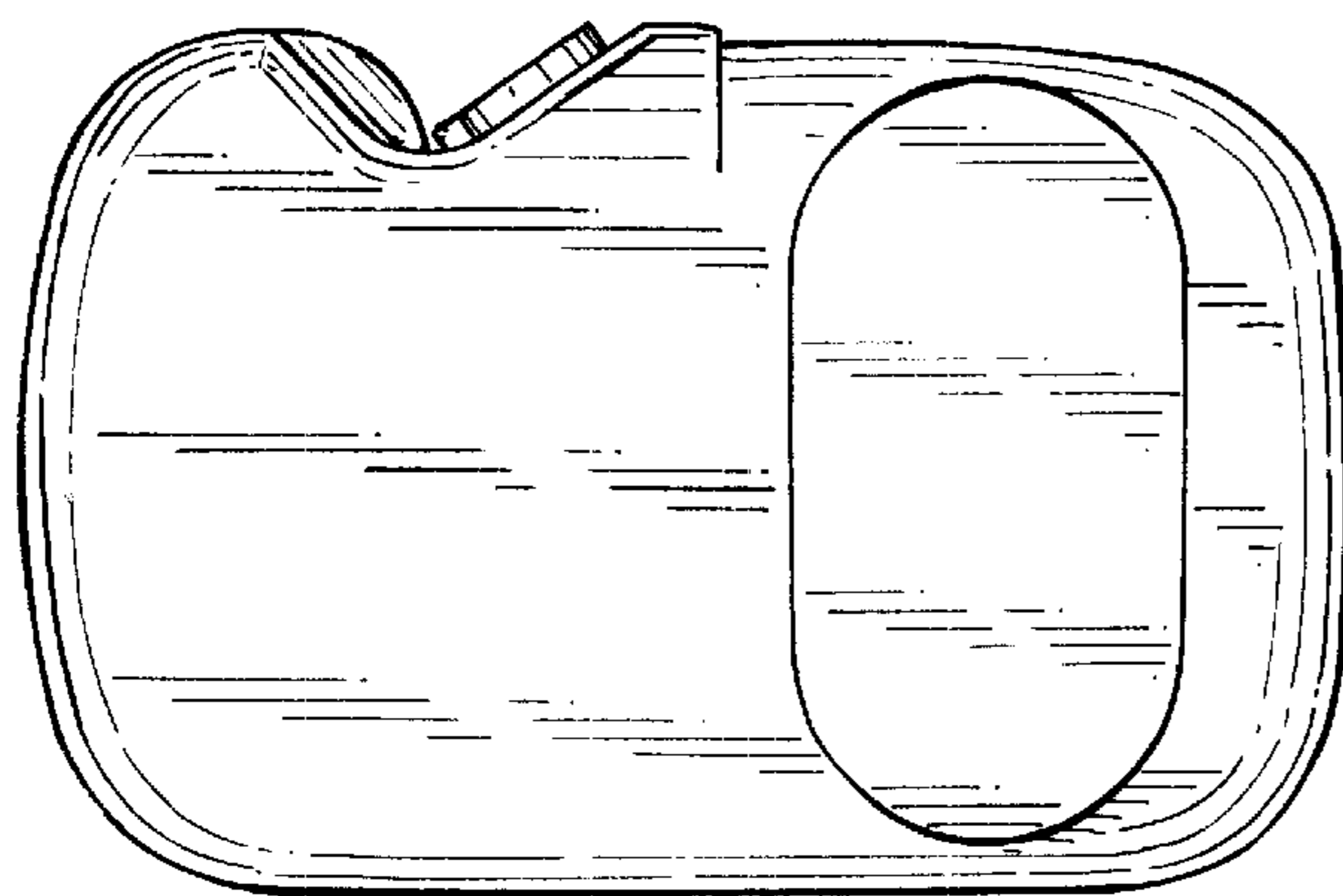


FIG. 5

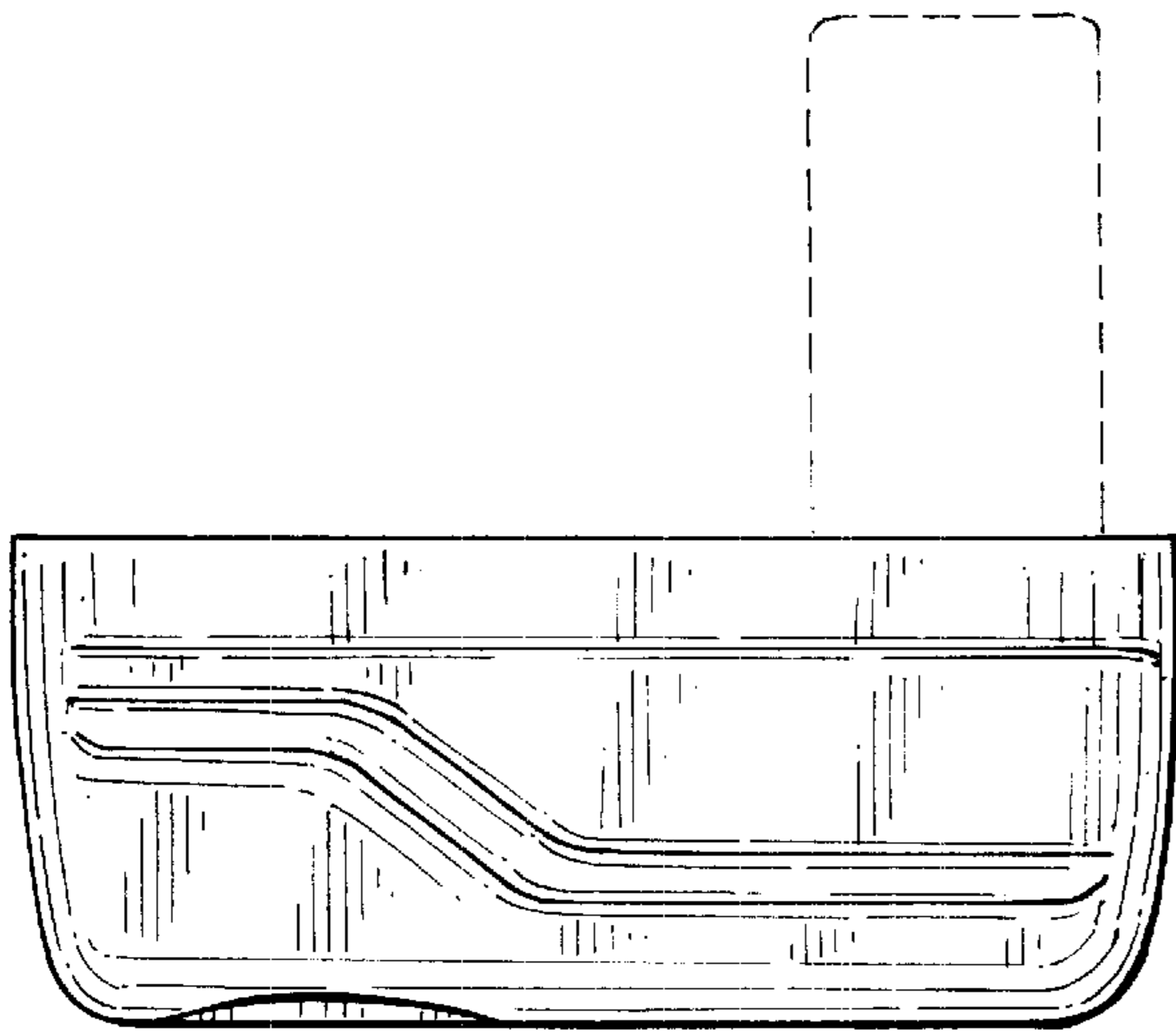


FIG. 7

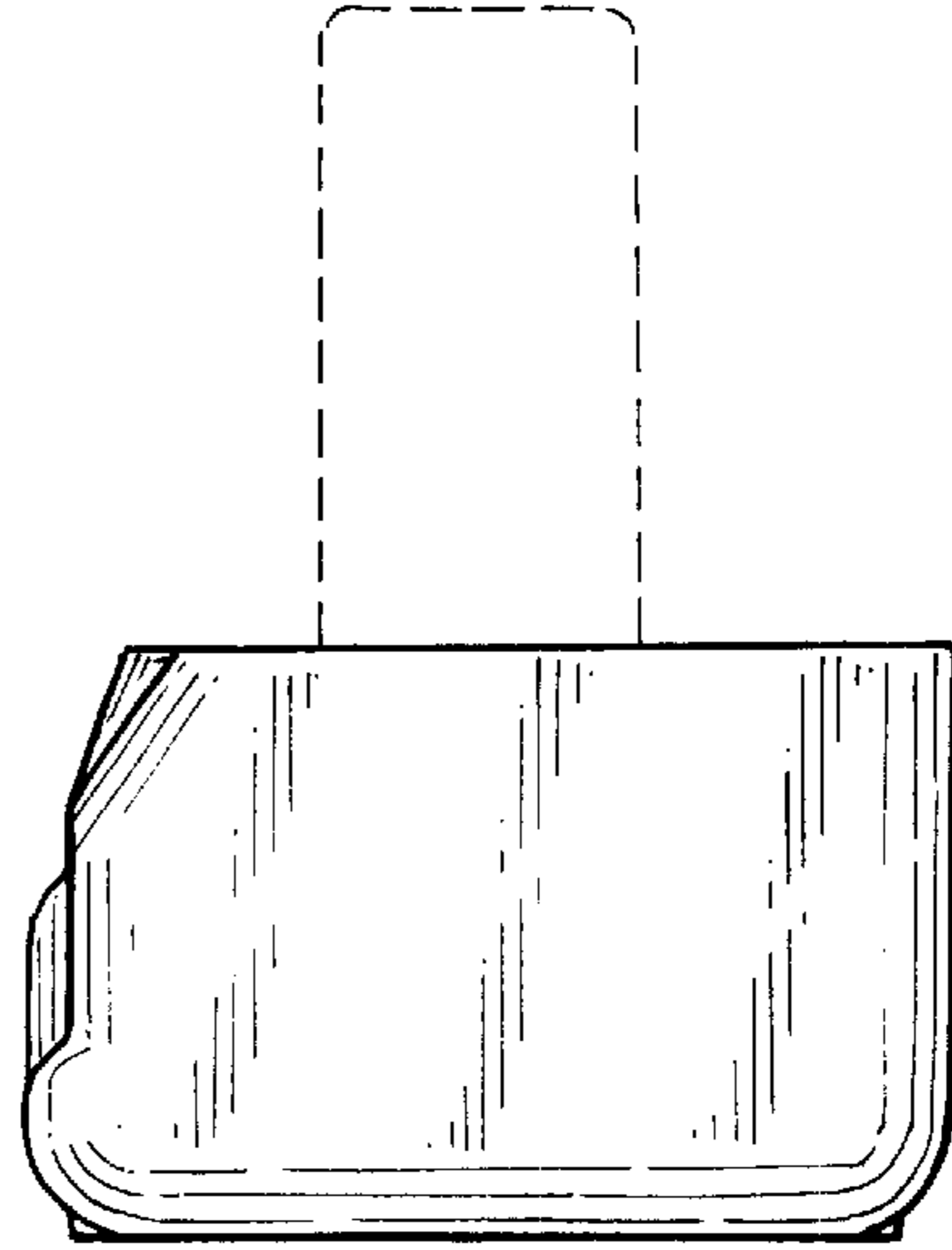


FIG. 8

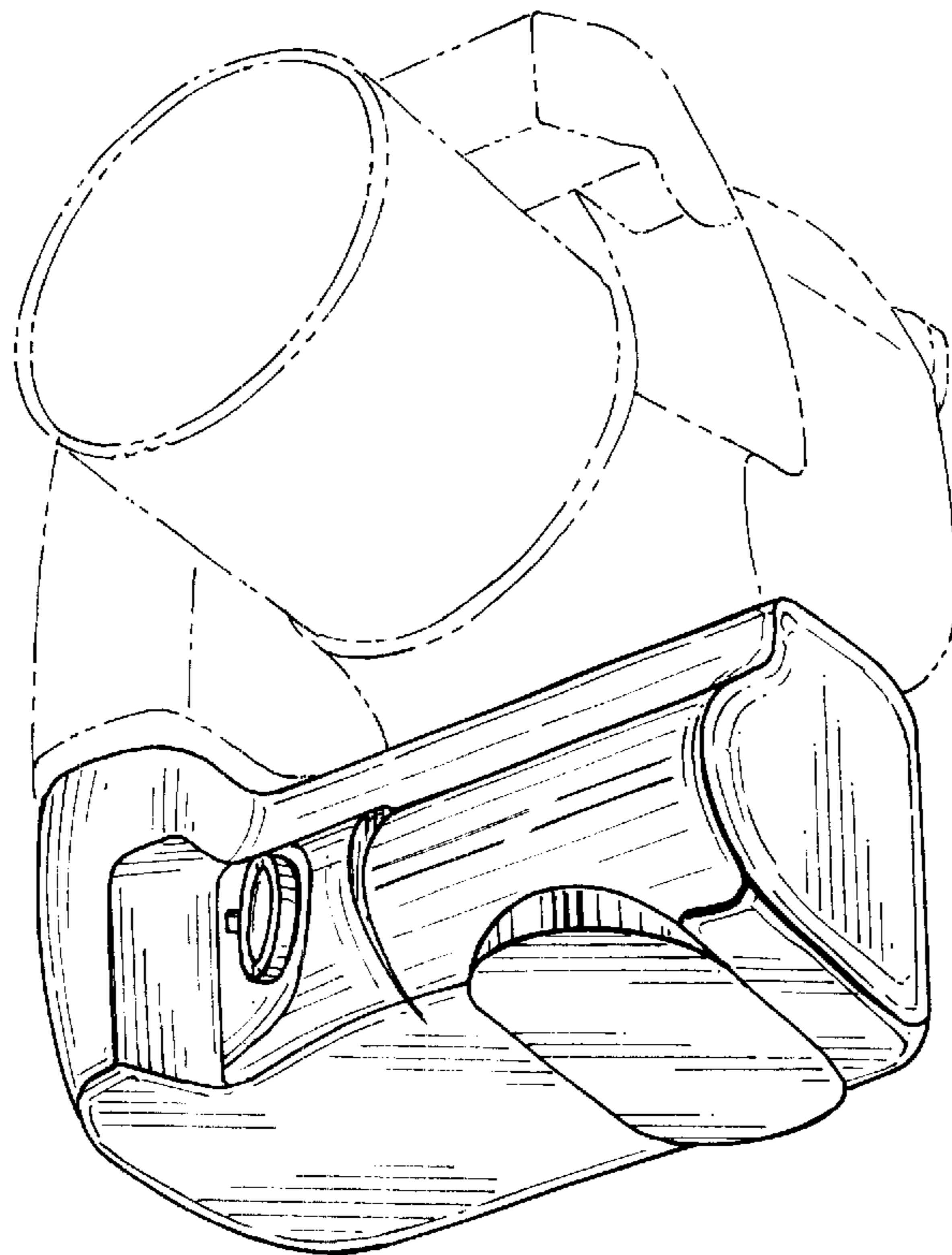


FIG. 9