



US00D456347S

(12) **United States Design Patent**
Labbe et al.

(10) **Patent No.: US D456,347 S**

(45) **Date of Patent: ** Apr. 30, 2002**

(54) **TIRE TREAD**

(75) Inventors: **Christian Labbe**, Meix-le-Tige (BE);
Claude Lardo, Luxembourg (LU)

(73) Assignee: **The Goodyear Tire & Rubber Company**, Akron, OH (US)

(**) Term: **14 Years**

D380,998 S	7/1997	Lassan et al.	D12/146
D392,226 S	3/1998	Howald et al.	D12/141
D397,971 S	9/1998	Horie et al.	D12/147
5,814,169 A	9/1998	Yamaguchi et al.	152/209 R
D405,398 S	2/1999	McKisson	D12/146
D412,470 S	8/1999	Downey	D12/141
D412,471 S	8/1999	Downey	D12/146
D421,582 S	3/2000	Dumigan et al.	D12/143
D426,501 S	6/2000	Heinen et al.	D12/147

OTHER PUBLICATIONS

Bridgestone Potenza HP41 Tire, 2000 Tread Design Guide, Jan. 2000, p. 17. 1/5.*

Futura Touring SE Tire, 2000 Tread Design Guide, Jan. 2000, p. 32. 1/4.*

* cited by examiner

Primary Examiner—Robert M. Spear

(74) *Attorney, Agent, or Firm*—David E. Wheeler

(21) Appl. No.: **29/137,414**

(22) Filed: **Feb. 20, 2001**

(51) **LOC (7) Cl.** **12-15**

(52) **U.S. Cl.** **D12/603**

(58) **Field of Search** D12/579, 585,
D12/588, 599, 602, 603; 152/209.1, 209.9,
209.11, 209.12, 209.13, 209.18, 209.19,
209.25, 209.27

(56) **References Cited**

U.S. PATENT DOCUMENTS

4,690,189 A	9/1987	Bradisse et al.	152/209 R
4,807,679 A	2/1989	Collette et al.	152/209 R
4,856,571 A	8/1989	Collette et al.	152/209 R
D303,363 S	9/1989	Graas	D12/147
D303,514 S	9/1989	Collette et al.	D12/147
D314,737 S	2/1991	Covert et al.	D12/147
D324,011 S	2/1992	Messer	D12/147
D329,031 S	9/1992	Lassan	D12/146
D335,841 S	5/1993	Caretta et al.	D12/146
D336,270 S	6/1993	Graas et al.	D12/147
5,287,905 A	2/1994	Caretta et al.	152/209 R
D348,241 S	6/1994	Graas et al.	D12/147
D350,507 S	9/1994	Helluin	D12/141
5,385,189 A	1/1995	Aoki et al.	152/209 R
D360,858 S	8/1995	Brayer et al.	D12/147
D379,340 S	5/1997	Consolacion et al.	D12/147

CLAIM

The ornamental Design for a tire tread, as shown and described.

DESCRIPTION

FIG. 1 is a perspective view of a tire tread showing our new design, it being understood that the pattern repeats uniformly throughout the circumference of the tread;

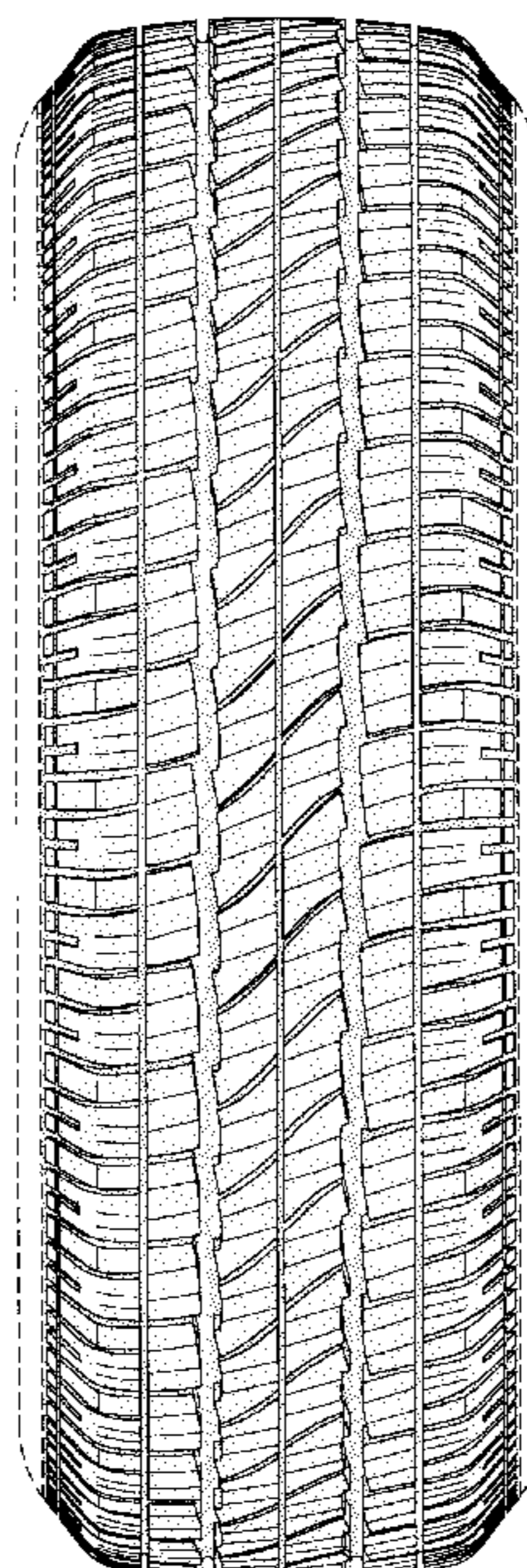
FIG. 2 is a front elevational view thereof;

FIG. 3 is a side elevational view thereof, the opposite side elevational view being identical thereto; and,

FIG. 4 is an enlarged fragmentary perspective view.

In the drawings, the broken lines defining the sidewall and inner bead and the peripheral boundary between the tire tread and the sidewall are for illustrative purposes only and form no part of the claimed design.

1 Claim, 4 Drawing Sheets



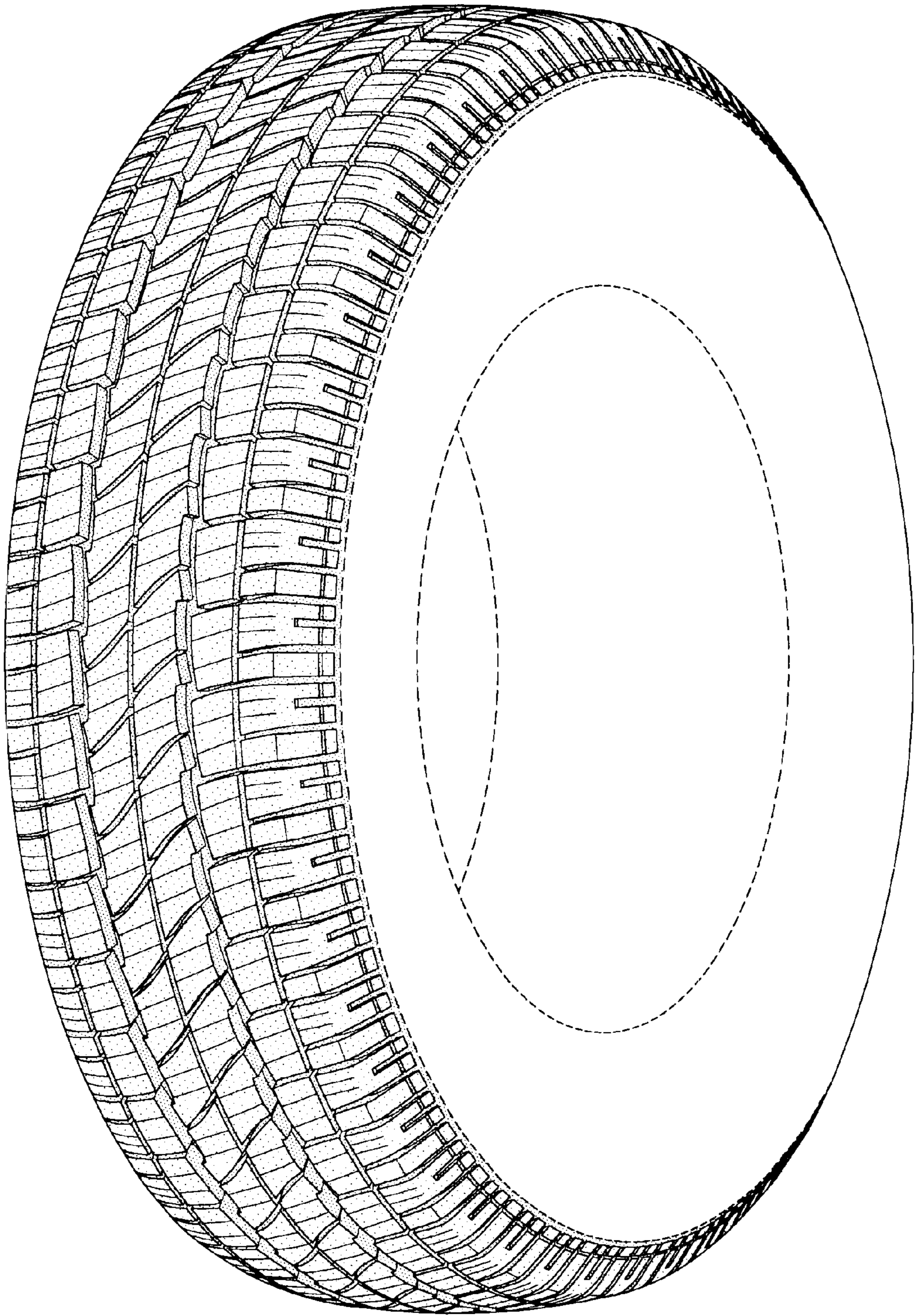


FIG-1

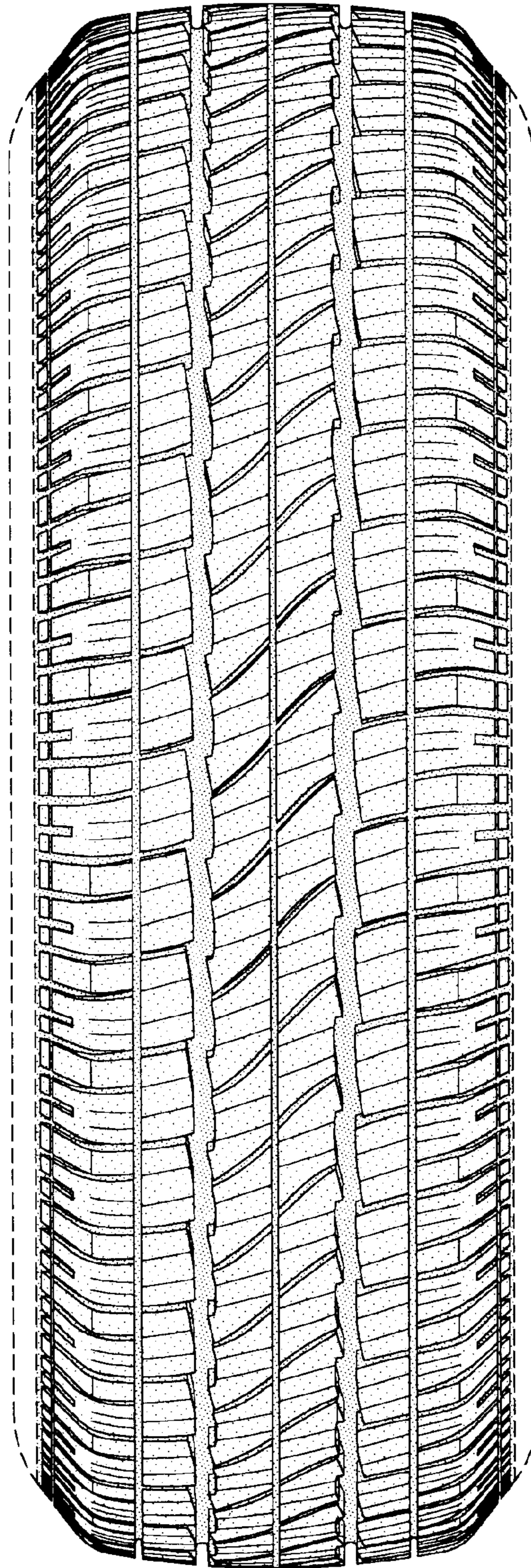


FIG-2

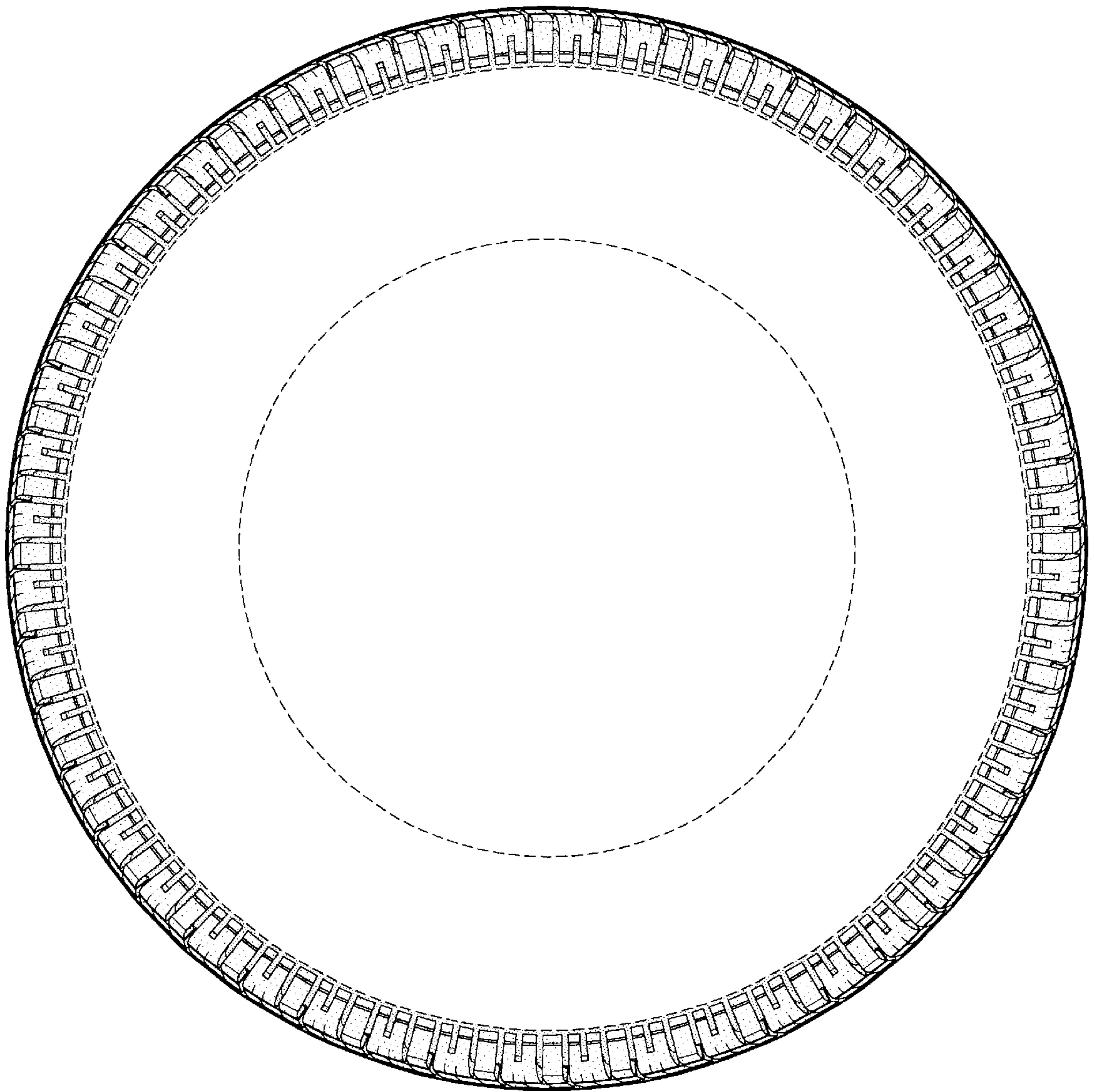


FIG-3

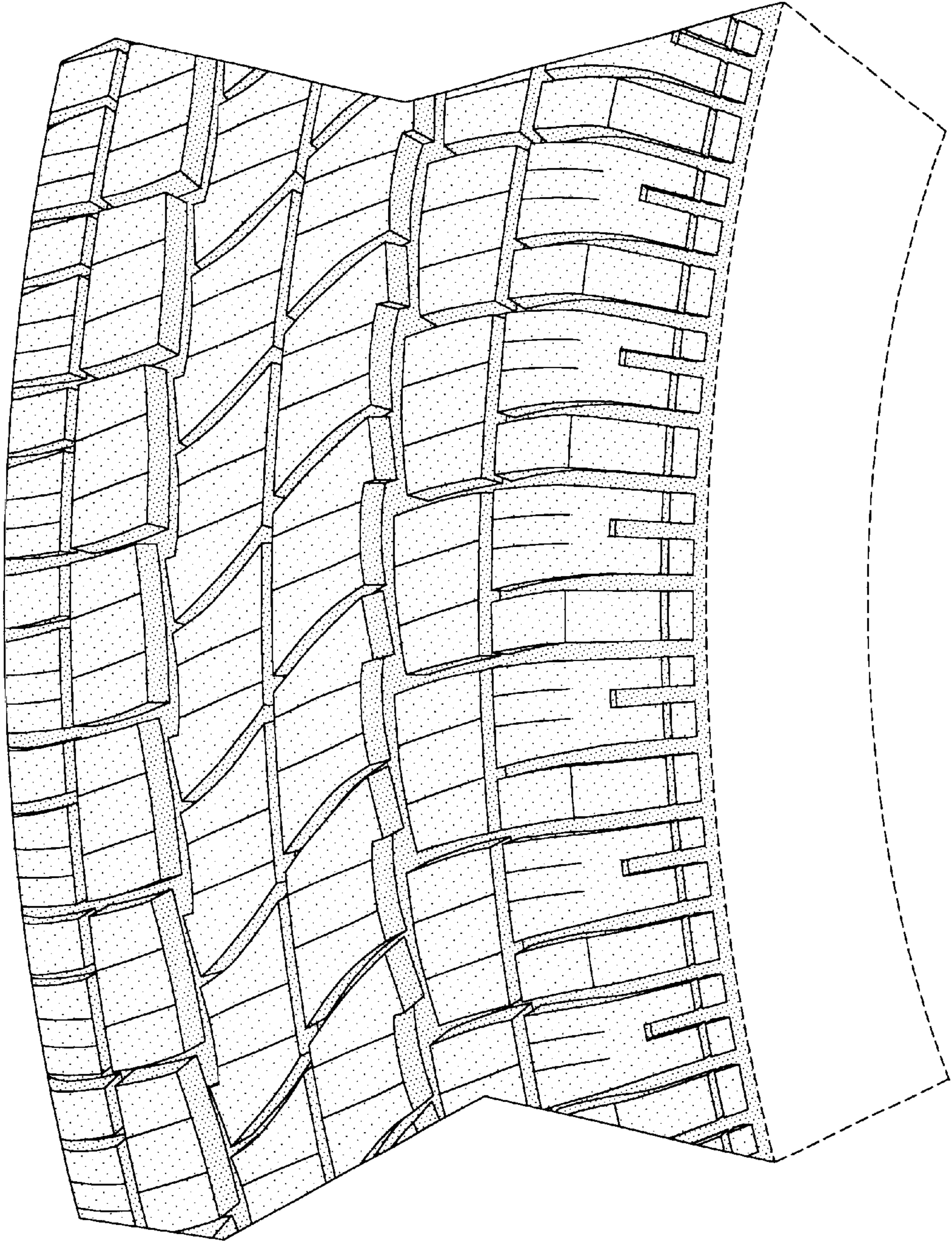


FIG-4