



US00D456346S

(12) **United States Design Patent**  
**Galante et al.**

(10) **Patent No.:** **US D456,346 S**

(45) **Date of Patent:** **\*\* Apr. 30, 2002**

(54) **TIRE TREAD**

(75) Inventors: **Richard Louis Galante**, Akron; **Susan Marie Spaeth**, Fairlawn, both of OH (US)

(73) Assignee: **The Goodyear Tire & Rubber Company**, Akron, OH (US)

(\*\*) Term: **14 Years**

(21) Appl. No.: **29/128,896**

(22) Filed: **Aug. 31, 2000**

(51) **LOC (7) Cl.** ..... **12-15**

(52) **U.S. Cl.** ..... **D12/601**

(58) **Field of Search** ..... D12/512, 513, D12/544, 545, 551, 552, 553, 555, 579, 580, 582, 583, 584, 586, 588, 590, 594, 595, 596, 597, 598, 600, 602; 152/209.1, 209.9, 209.12, 209.13, 209.18, 209.25

(56) **References Cited**

**U.S. PATENT DOCUMENTS**

D184,058 S	*	12/1958	Klotz	.....	D12/583
D207,156 S	*	3/1967	Wittenmyer	.....	D12/586
D218,215 S	*	7/1970	Wittenmyer	.....	D12/586
D301,023 S		5/1989	Grohman et al.	.....	D12/147
D320,371 S		10/1991	Morubayashi	.....	D12/147
D350,507 S		9/1994	Helluin	.....	D12/141
5,388,625 A		2/1995	White	.....	152/209 R
5,637,162 A		6/1997	Rhyne et al.	.....	152/454
D388,380 S	*	12/1997	Harpes et al.	.....	D12/583
5,964,267 A		10/1999	Poque et al.	.....	152/209.21

**OTHER PUBLICATIONS**

Republic Road Rebel Radial LT Tire, 1999 Tread Design Guide, Jan. 1999, p. 113. 4/4.\*

\* cited by examiner

*Primary Examiner*—Robert M. Spear

(74) *Attorney, Agent, or Firm*—David L. King

(57) **CLAIM**

The ornamental Design for a tire tread, as shown and described.

**DESCRIPTION**

FIG. 1 is a perspective view of a tire tread showing our new design, it being understood that the pattern repeats uniformly throughout the circumference of the tread;

FIG. 2 is a front elevational view thereof;

FIG. 3 is a side elevational view thereof, the opposite side elevational view being identical thereto;

FIG. 4 is an enlarged fragmentary perspective view;

FIG. 5 is a perspective view of a second embodiment of the tire tread;

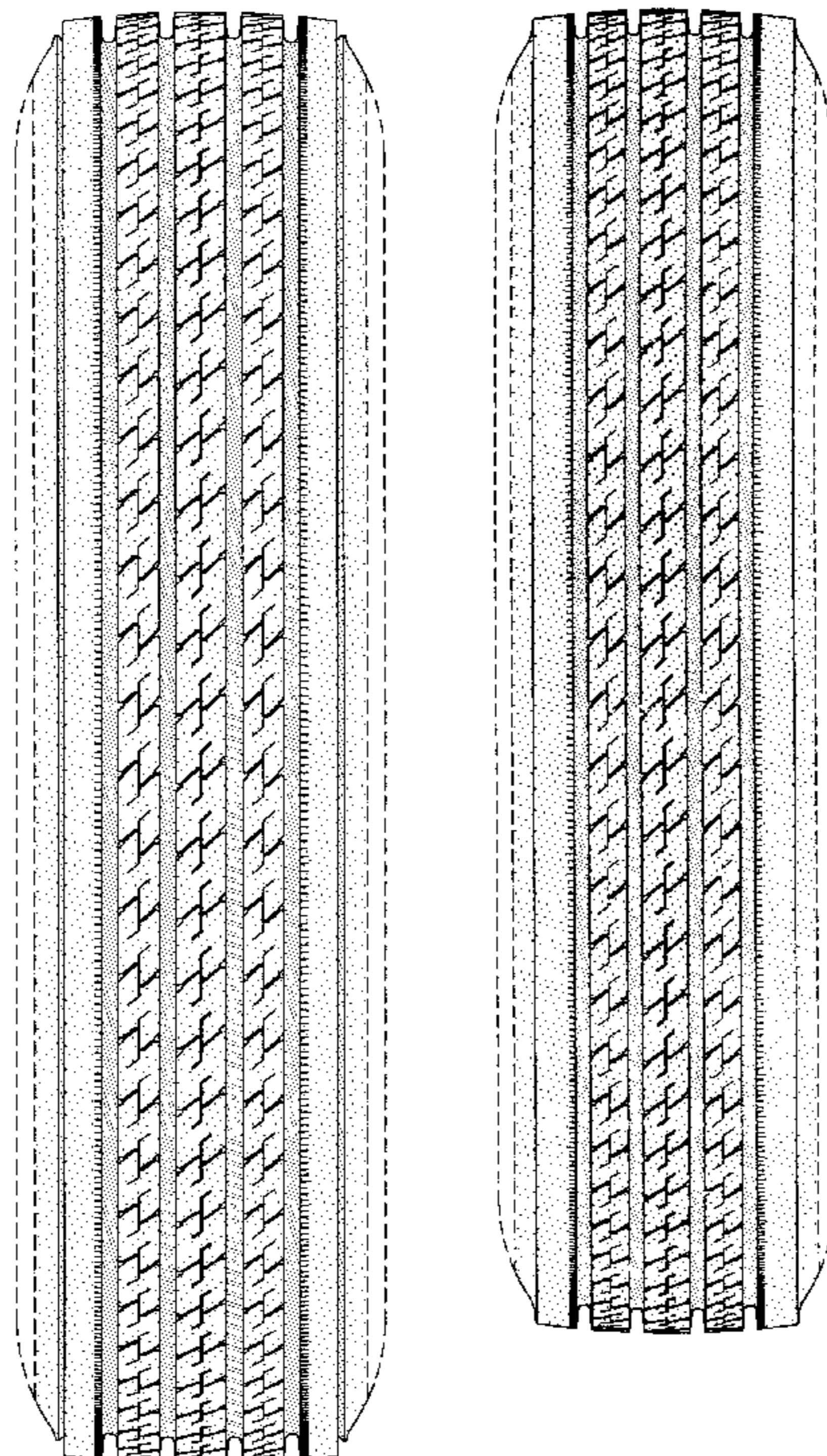
FIG. 6 is a front elevational view of the tread in FIG. 5;

FIG. 7 is a side elevational view of the tread in FIG. 5; and,

FIG. 8 is an enlarged fragmentary perspective view of the tread in FIG. 5.

In the drawings, the broken lines defining the inner bead of the sidewall and the peripheral boundary between the tire tread and the sidewall are for illustrative purposes only and form no part of the claimed design.

**1 Claim, 8 Drawing Sheets**



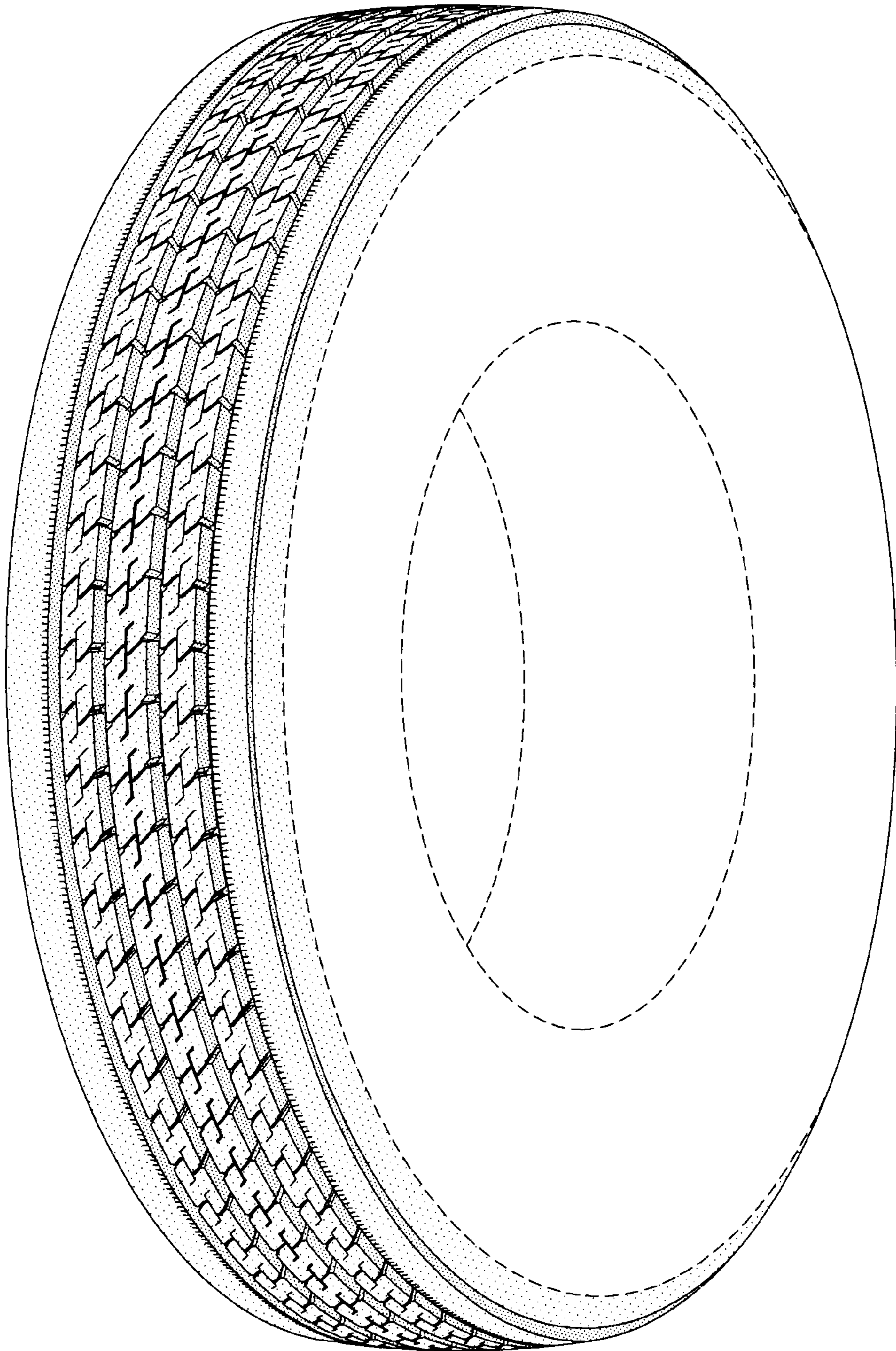


FIG-1

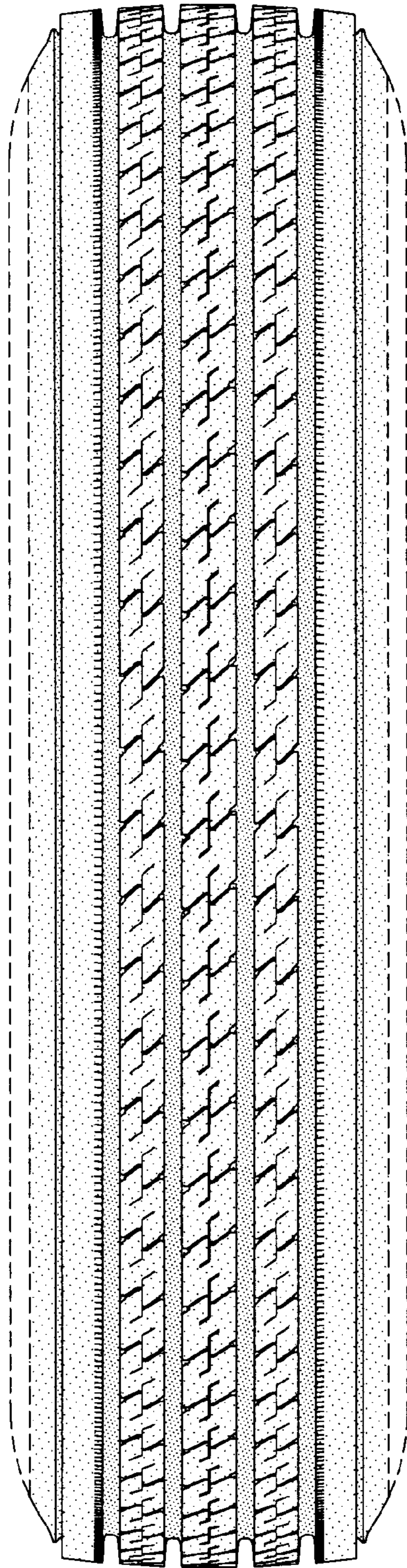


FIG-2

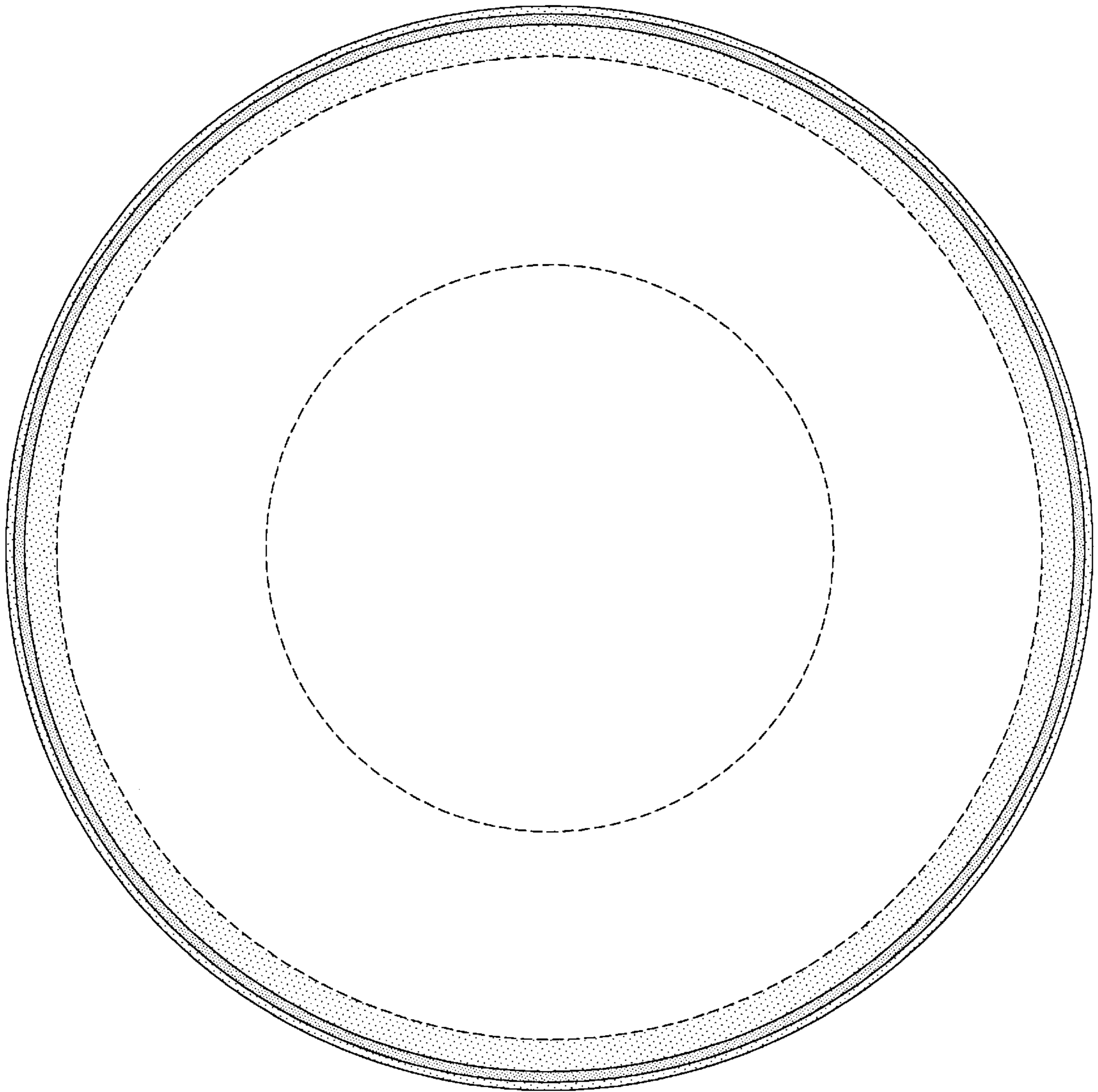


FIG-3

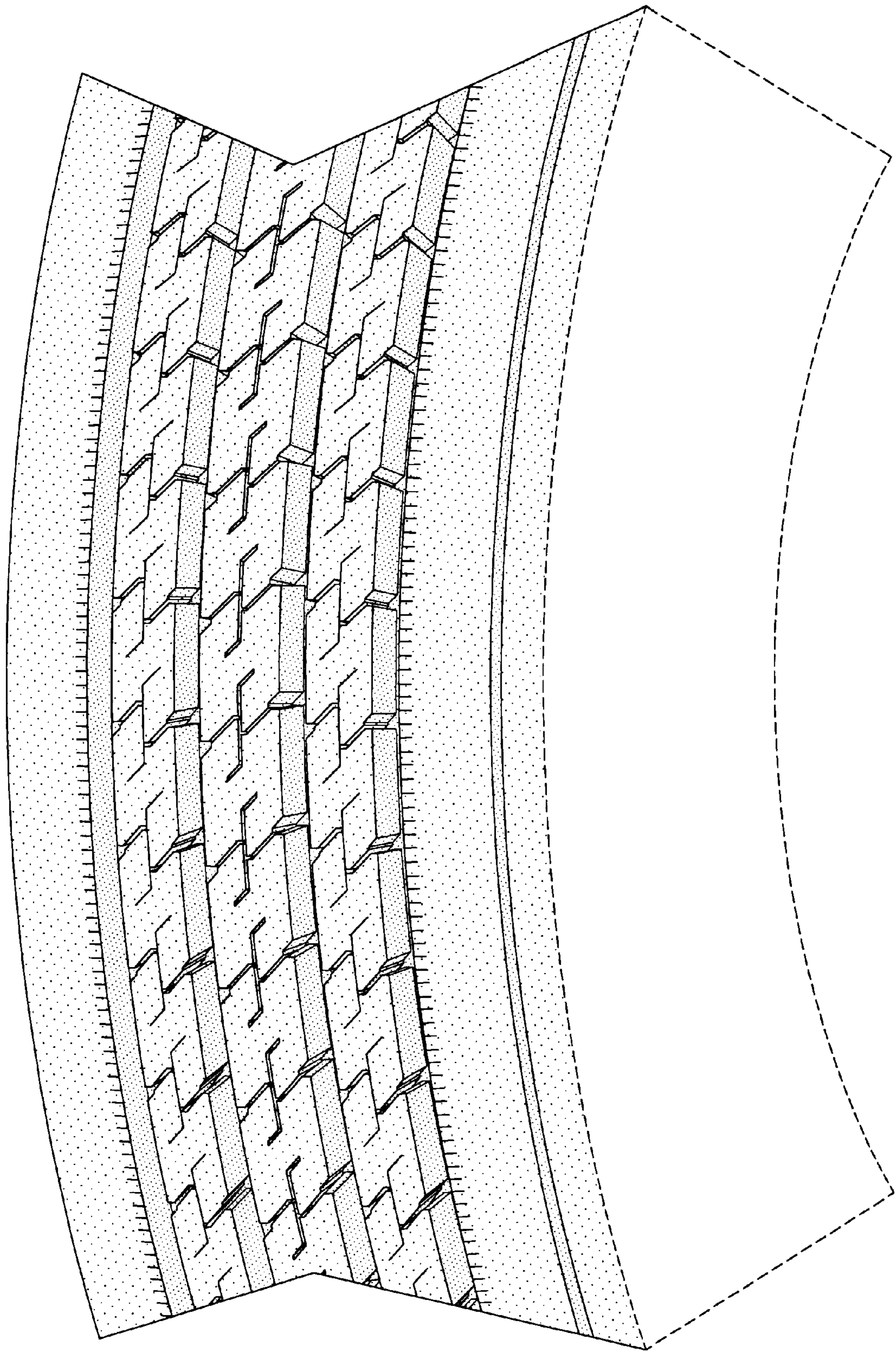


FIG-4

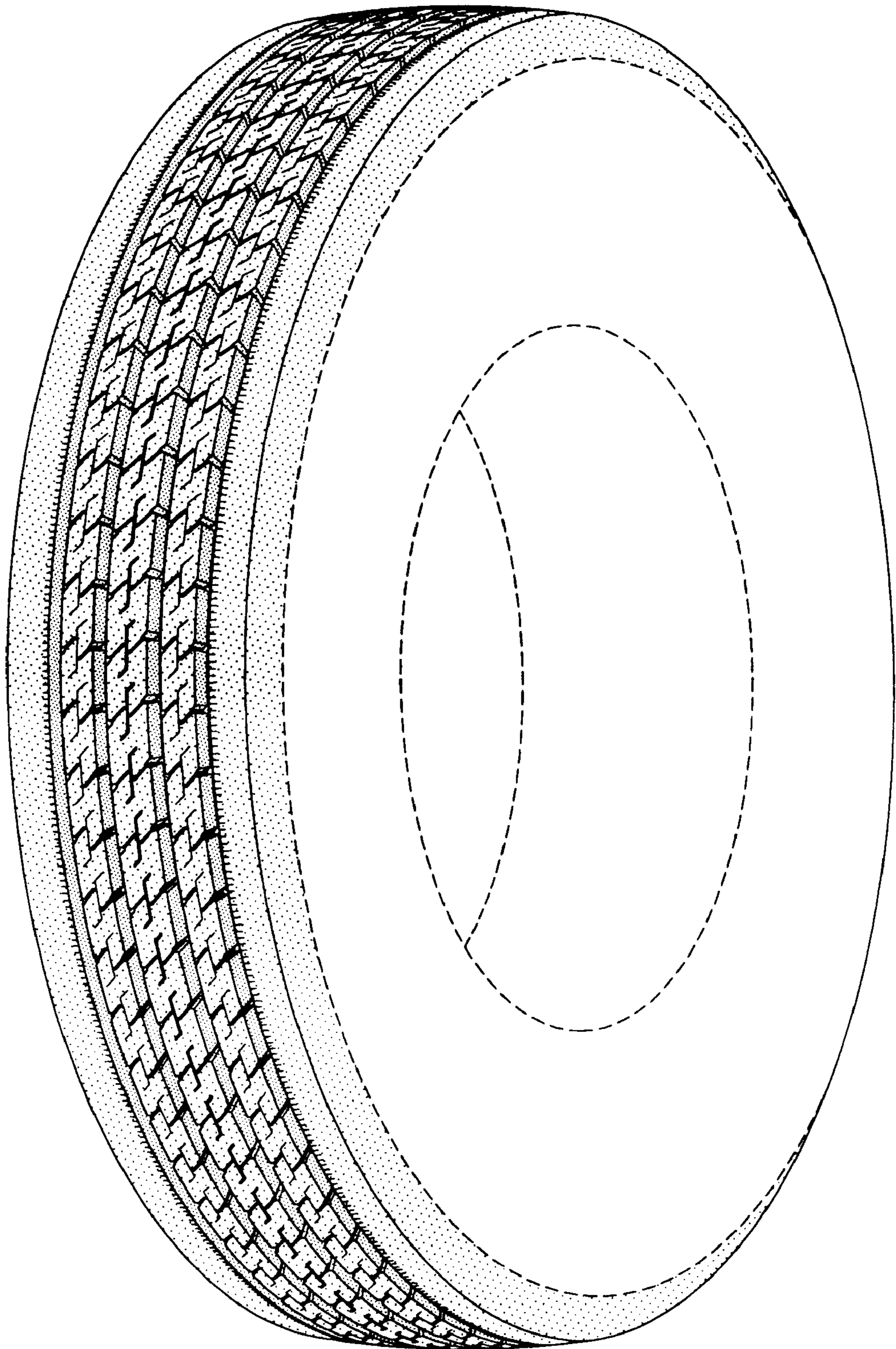


FIG-5

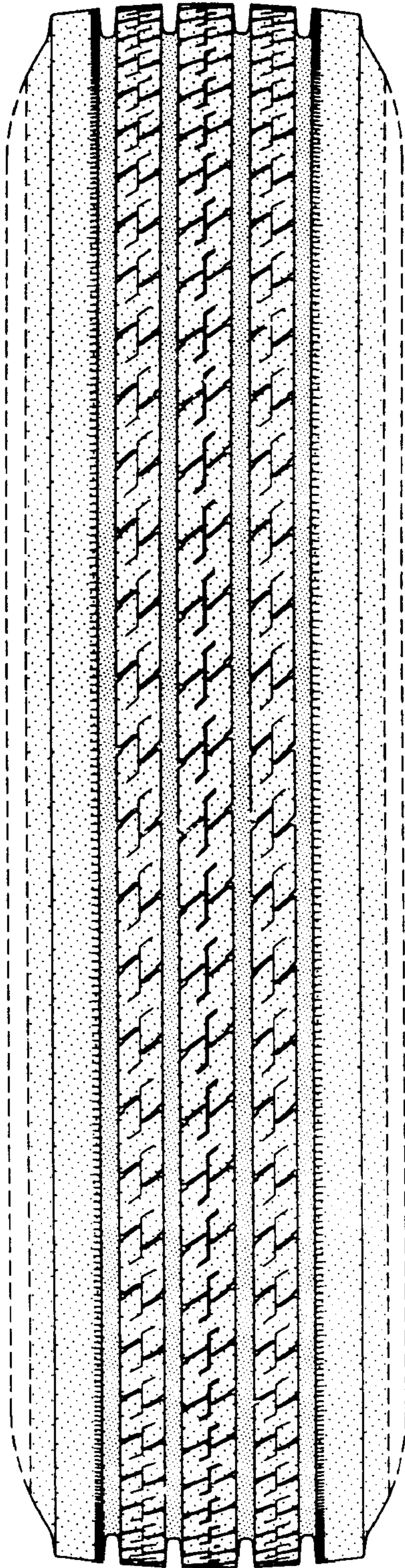


FIG-6

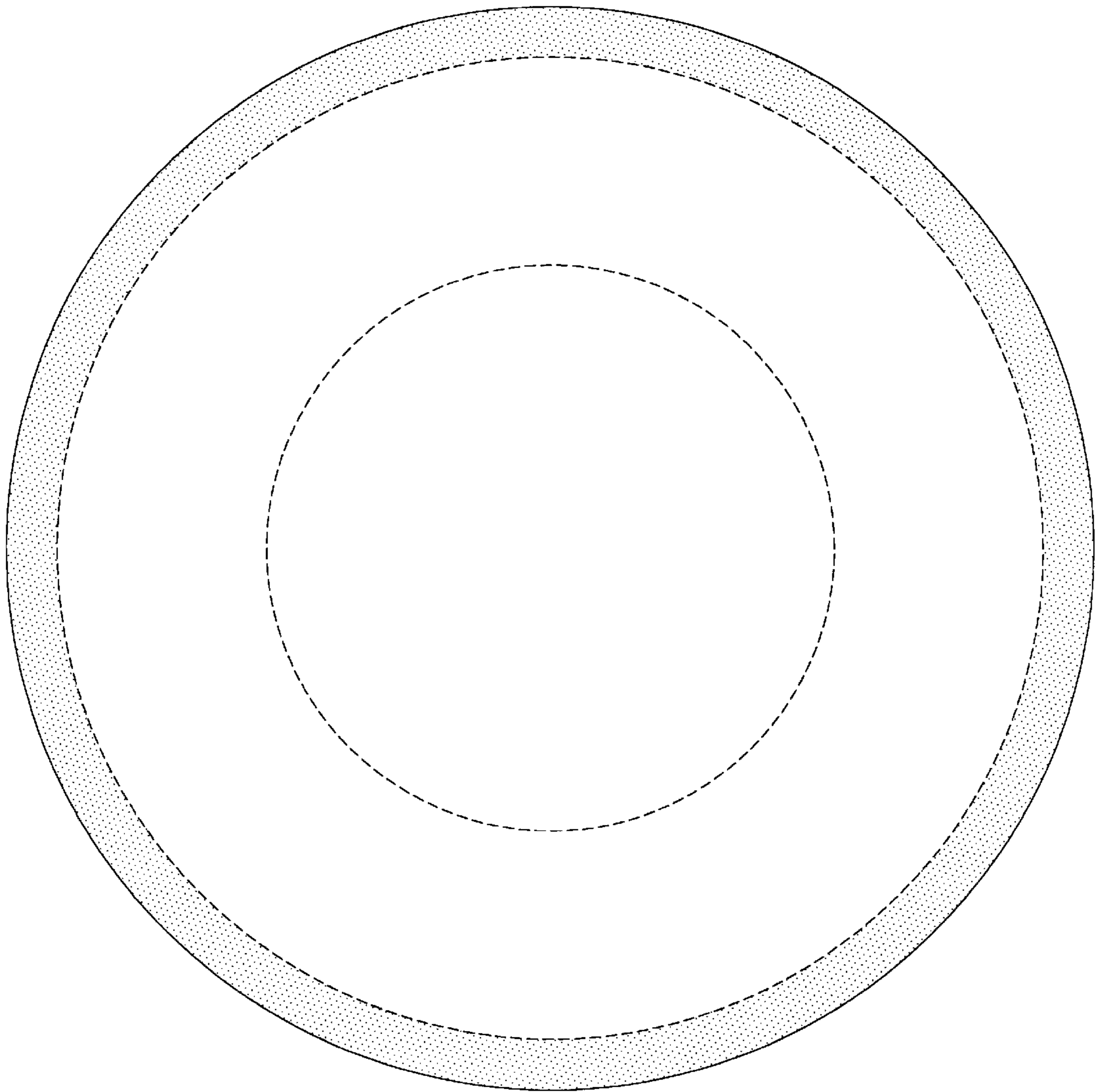


FIG-7



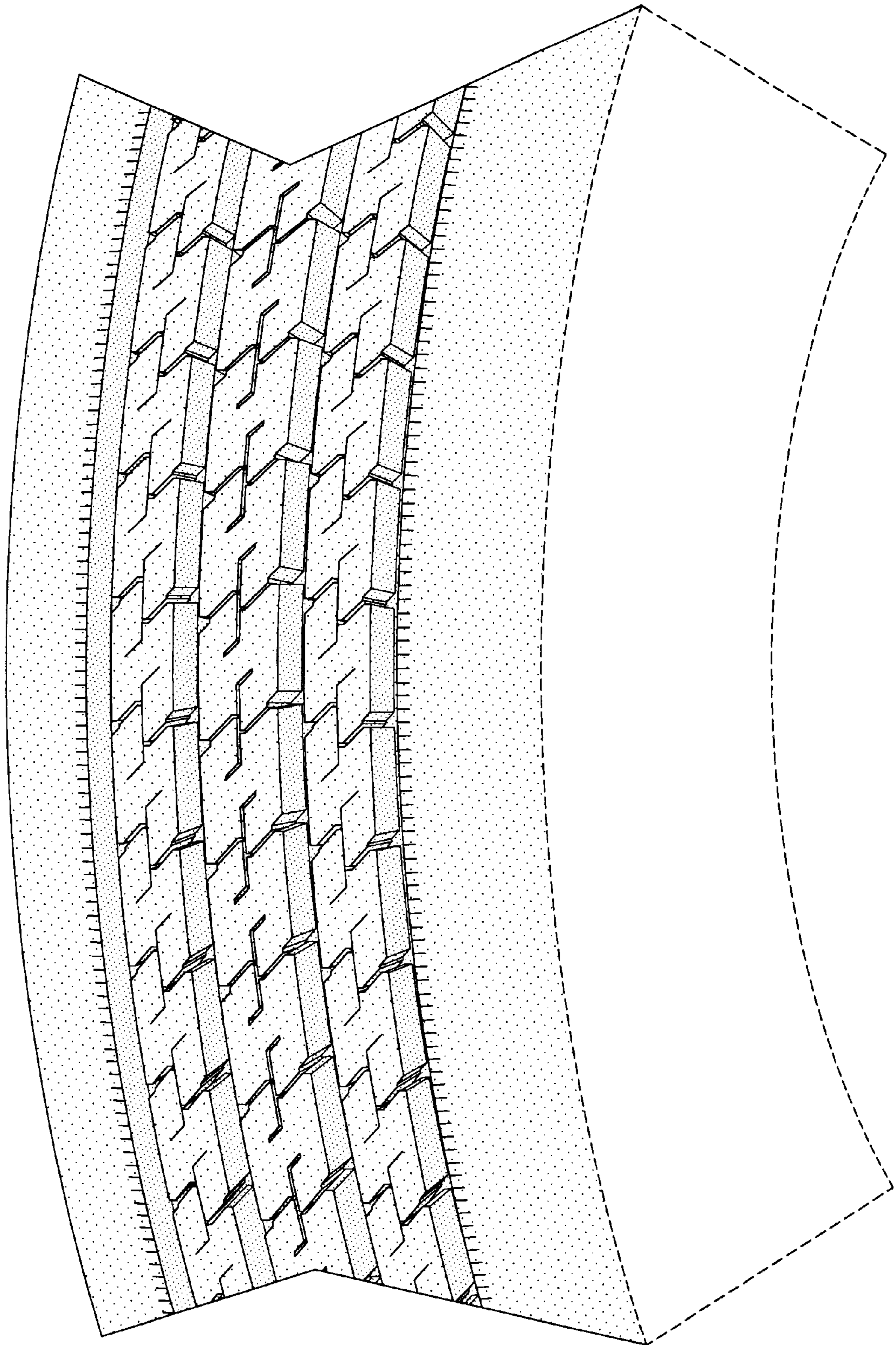


FIG-8