



US00D456340S

(12) **United States Design Patent**
Boulay et al.

(10) **Patent No.:** **US D456,340 S**

(45) **Date of Patent:** **** Apr. 30, 2002**

(54) **SURFACE CONFIGURATION OF A
CONSOLE FOR A VEHICLE**

(75) Inventors: **Olivier Boulay**, Stuttgart; **Guenter
Hoelzel**, Hochdorf, both of (DE)

(73) Assignee: **DaimlerChrysler AG**, Stuttgart (DE)

(**) Term: **14 Years**

(21) Appl. No.: **29/148,598**

(22) Filed: **Sep. 25, 2001**

(30) **Foreign Application Priority Data**

Apr. 18, 2001 (DE) 401 03 727

(51) **LOC (7) Cl.** **12-16**

(52) **U.S. Cl.** **D12/415**

(58) **Field of Search** D12/415, 419,
D12/421, 423, 424, 192; 180/90; 280/750,
752, DIG. 5, 762, 770; 296/70, 190-191,
37.1, 37.6-37.16, 181-183; 108/44-45;
224/42.11, 926, 275-276, 327, 540-542

(56) **References Cited**

U.S. PATENT DOCUMENTS

D385,847 S * 11/1997 Ma et al. D12/415

D401,545 S	*	11/1998	Sacco et al.	D12/192
D430,104 S	*	9/2000	McDonald	D12/419
D431,220 S	*	9/2000	Wyszgrod et al.	D12/192
D432,491 S	*	10/2000	Sacco et al.	D12/419
D433,362 S	*	11/2000	Wyszgrod et al.	D12/192
D440,926 S	*	4/2001	Pfeiffer	D12/192
D443,246 S	*	6/2001	Smith	D12/415
D447,998 S	*	9/2001	Pfeiffer et al.	D12/415
D448,720 S	*	10/2001	Nash et al.	D12/419
D449,026 S	*	10/2001	Tsay et al.	D12/192

* cited by examiner

Primary Examiner—Stacia Cadmus

(74) *Attorney, Agent, or Firm*—Crowell & Moring LLP

(57) **CLAIM**

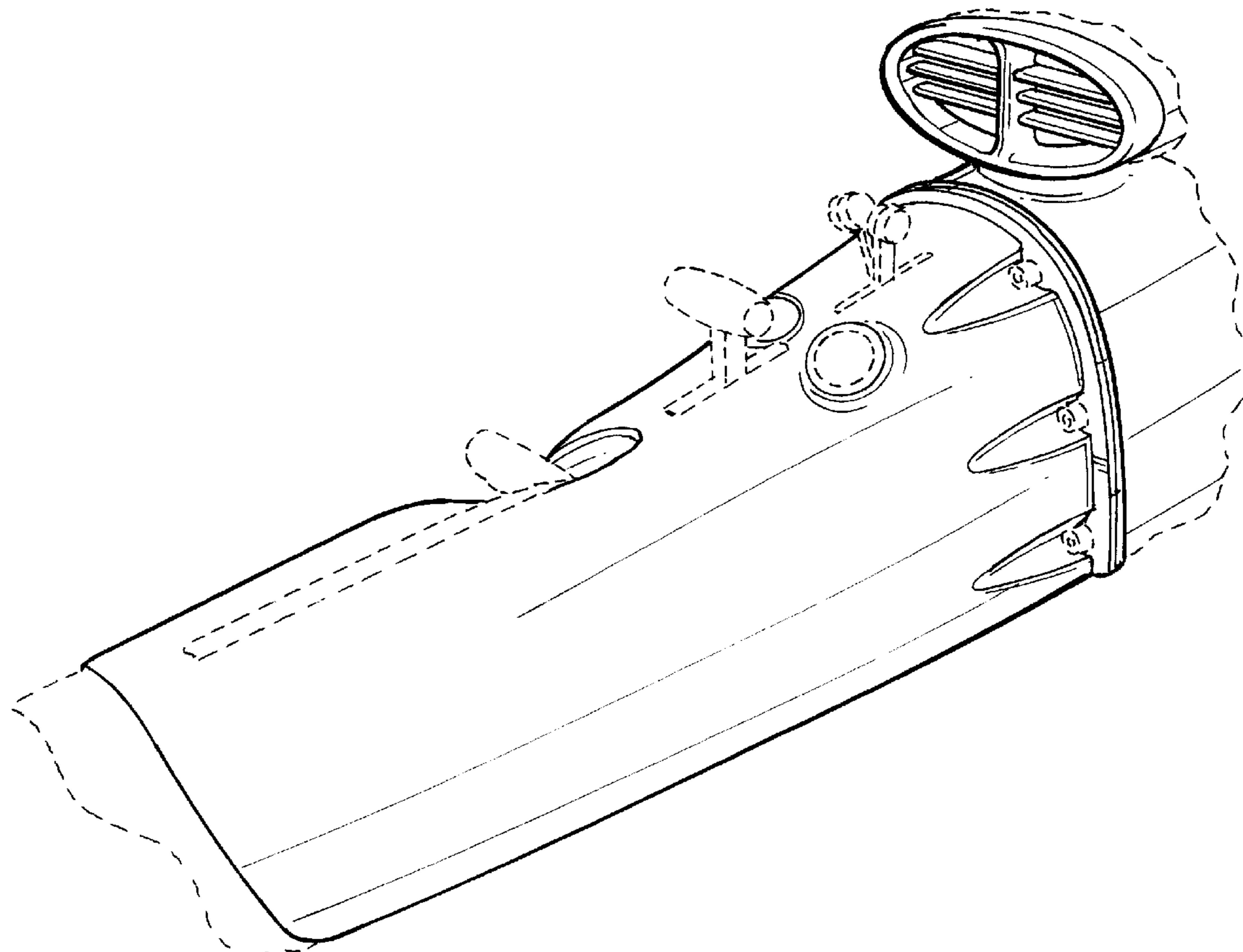
The ornamental design for a surface configuration of a console for a vehicle, as shown and described.

DESCRIPTION

FIG. 1 is a right perspective view of a surface configuration of a console for a vehicle according to our novel design; and, FIG. 2 is an enlarged left perspective view of surface configuration of a console for a vehicle according to our novel design.

The dash lines included depict environment and are not part of the claimed design.

1 Claim, 2 Drawing Sheets



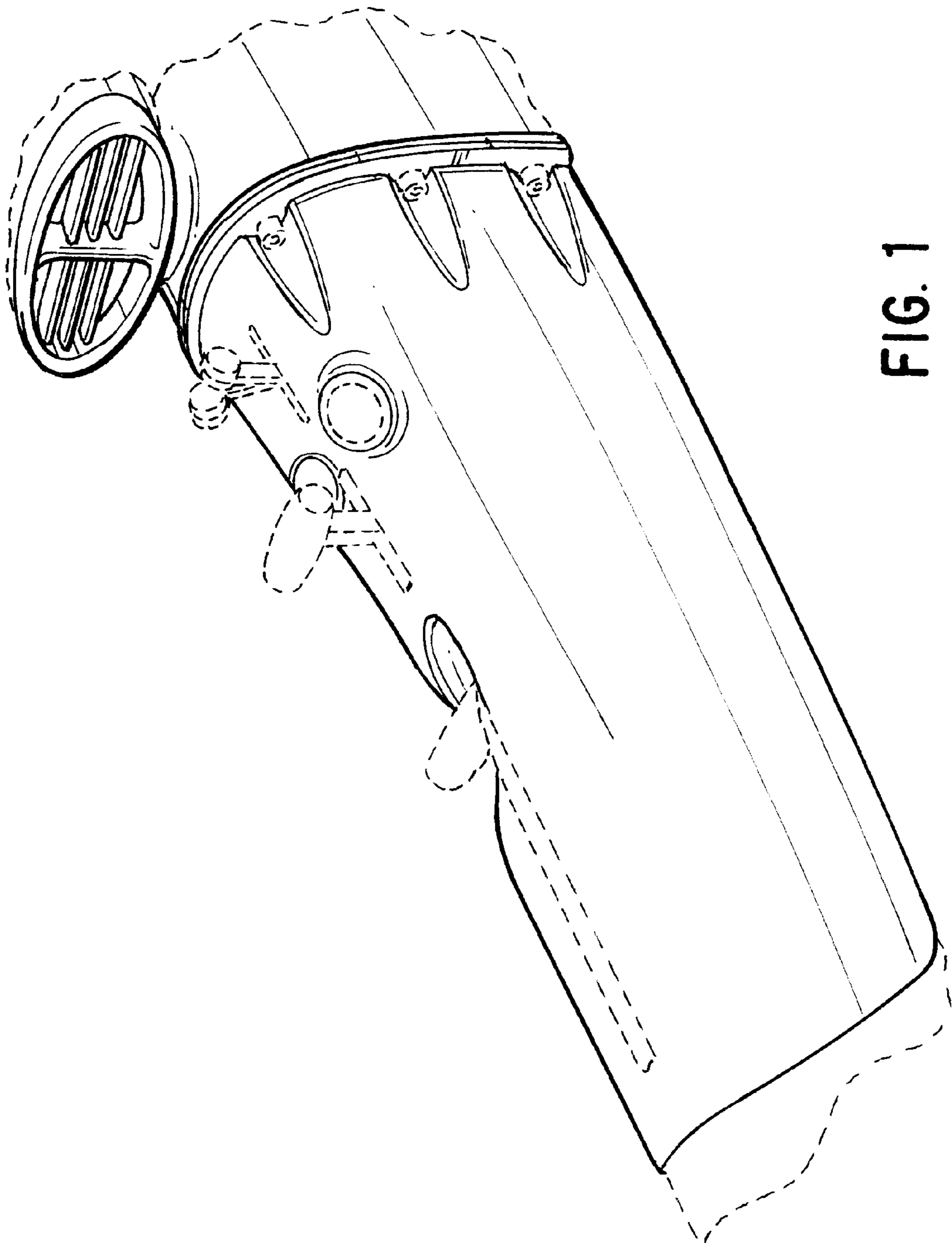


FIG. 1

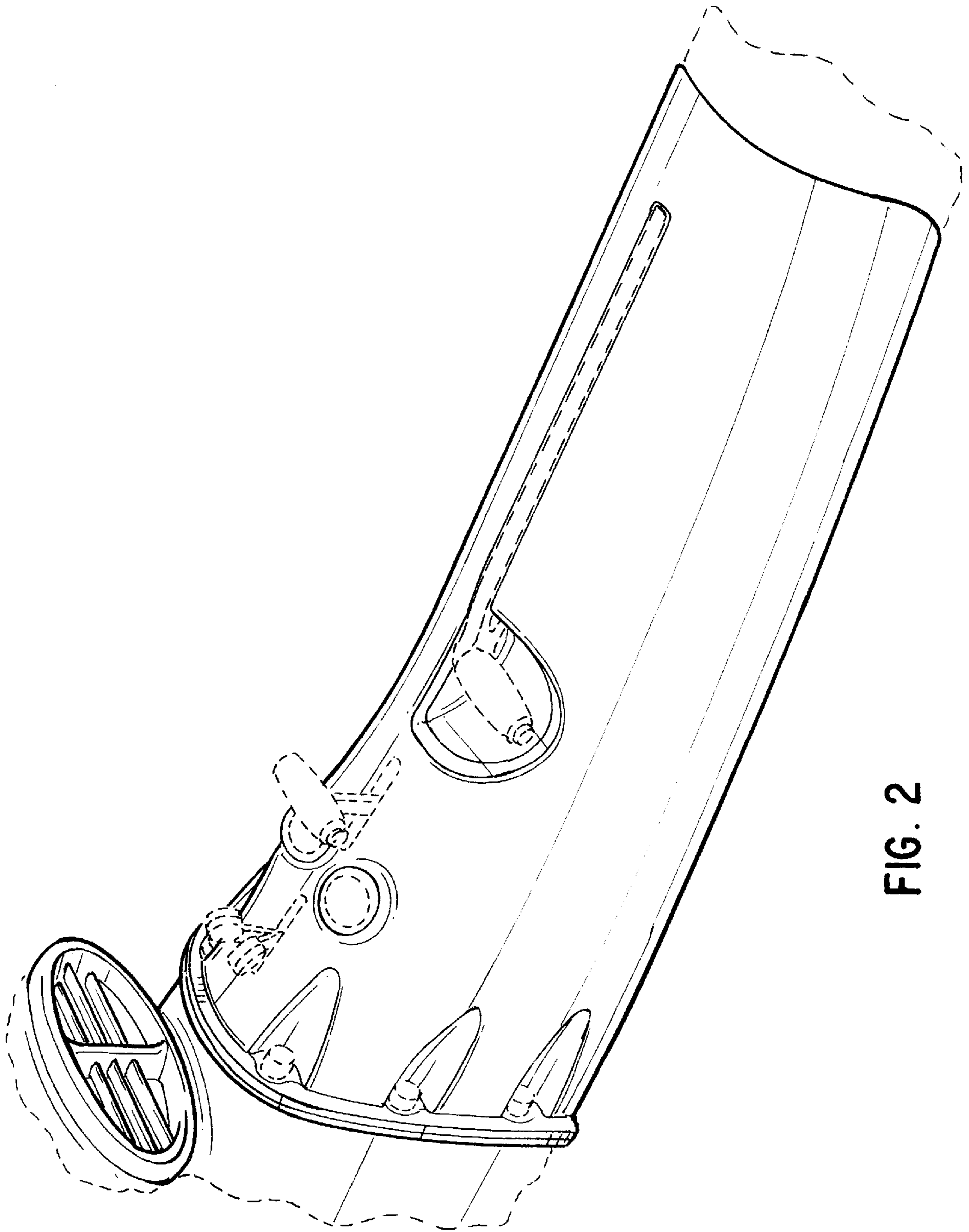


FIG. 2