



US00D456335S

(12) **United States Design Patent**
Chung

(10) **Patent No.:** **US D456,335 S**

(45) **Date of Patent:** **** Apr. 30, 2002**

(54) **AUTOMOTIVE WHEEL**

(75) **Inventor:** **Suny Chung**, Placentia, CA (US)

(73) **Assignee:** **MKW Alloy, INC**, City of Industry, CA (US)

(**) **Term:** **14 Years**

(21) **Appl. No.:** **29/148,398**

(22) **Filed:** **Sep. 20, 2001**

(51) **LOC (7) Cl.** **12-16**

(52) **U.S. Cl.** **D12/211**

(58) **Field of Search** **D12/204-211;**
301/37.1, 64.1, 65

(56) **References Cited**

U.S. PATENT DOCUMENTS

| | | | | | |
|------------|---|---------|-------------------|-------|---------|
| D385,524 S | * | 10/1997 | Nagashima | | D12/209 |
| D412,149 S | * | 7/1999 | Corioni | | D12/211 |
| D418,798 S | * | 1/2000 | Muzzarelli et al. | | D12/211 |
| D423,446 S | * | 4/2000 | Chung | | D12/211 |
| D428,592 S | * | 7/2000 | Melegari et al. | | D12/211 |
| D444,118 S | * | 6/2001 | Chung | | D12/211 |

D446,493 S * 8/2001 Sulahian et al. D12/211

D448,715 S * 10/2001 Hartl D12/211

D449,267 S * 10/2001 Fitzgerald D12/211

* cited by examiner

Primary Examiner—Stacia Cadmus

(74) *Attorney, Agent, or Firm*—G. Donald Weber, Jr.

(57) **CLAIM**

The ornamental design for an automotive wheel, as shown and described.

DESCRIPTION

FIG. 1 is an oblique view of a first embodiment of the automotive wheel of the instant invention;
FIG. 2 is a side elevation view of the first embodiment of the automotive wheel of the instant invention;
FIG. 3 is an oblique view of a second embodiment of the automotive wheel of the instant invention; and,
FIG. 4 is a side elevation view of the second embodiment of the automotive wheel of the instant invention.
The broken line showing of environment is for illustrative purposes and forms no part of the claimed design.

1 Claim, 2 Drawing Sheets

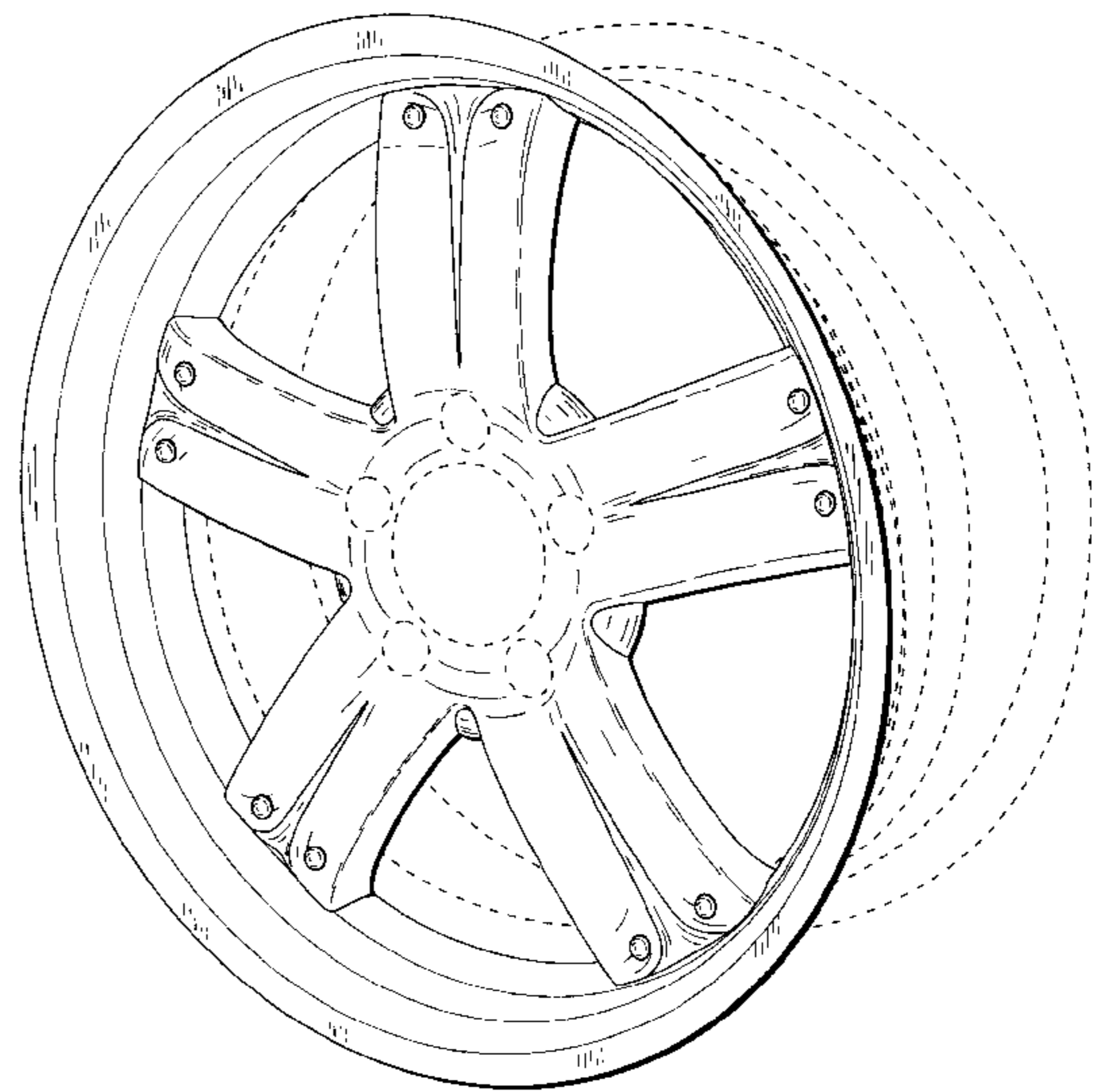
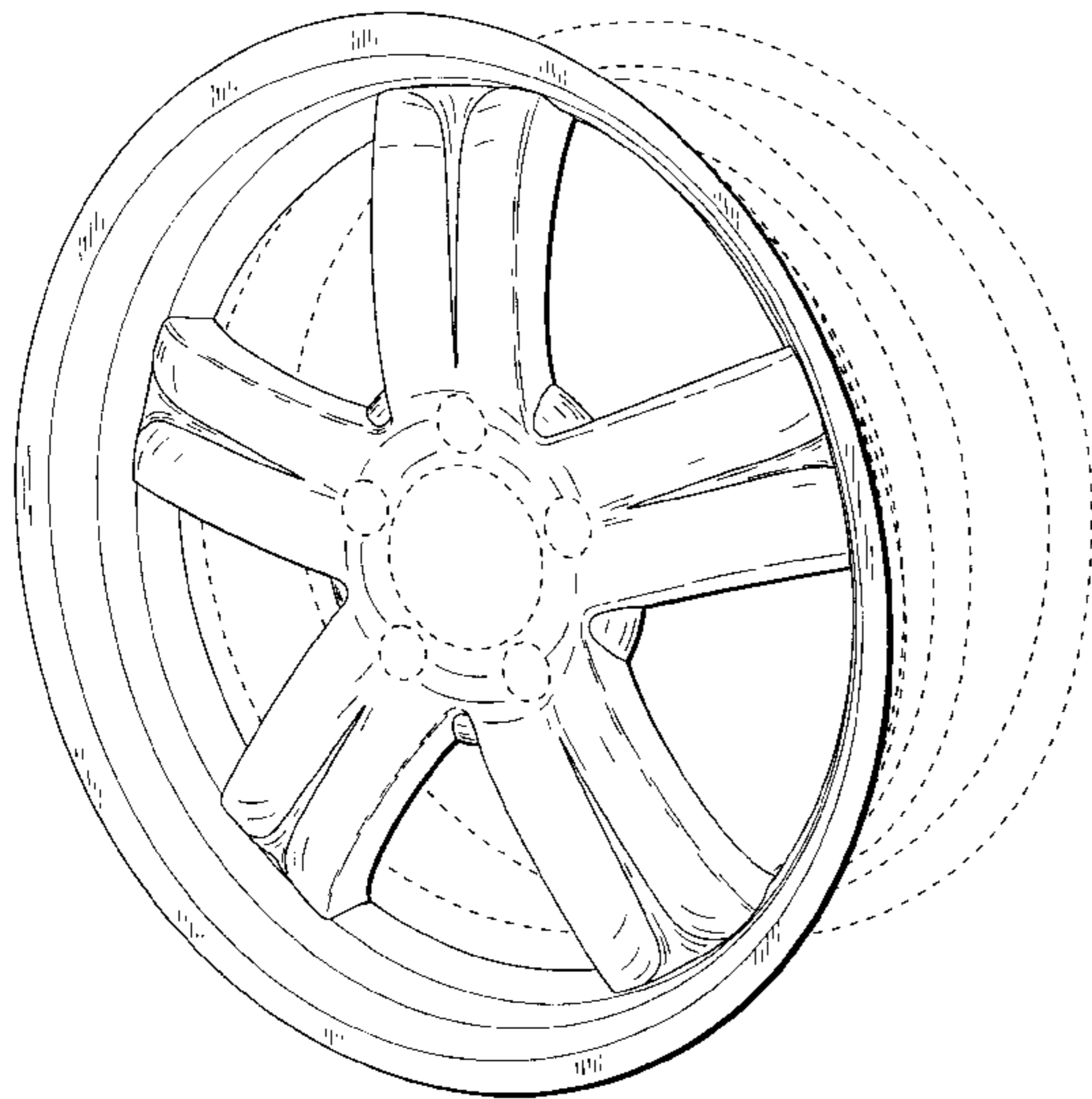


Fig. 1

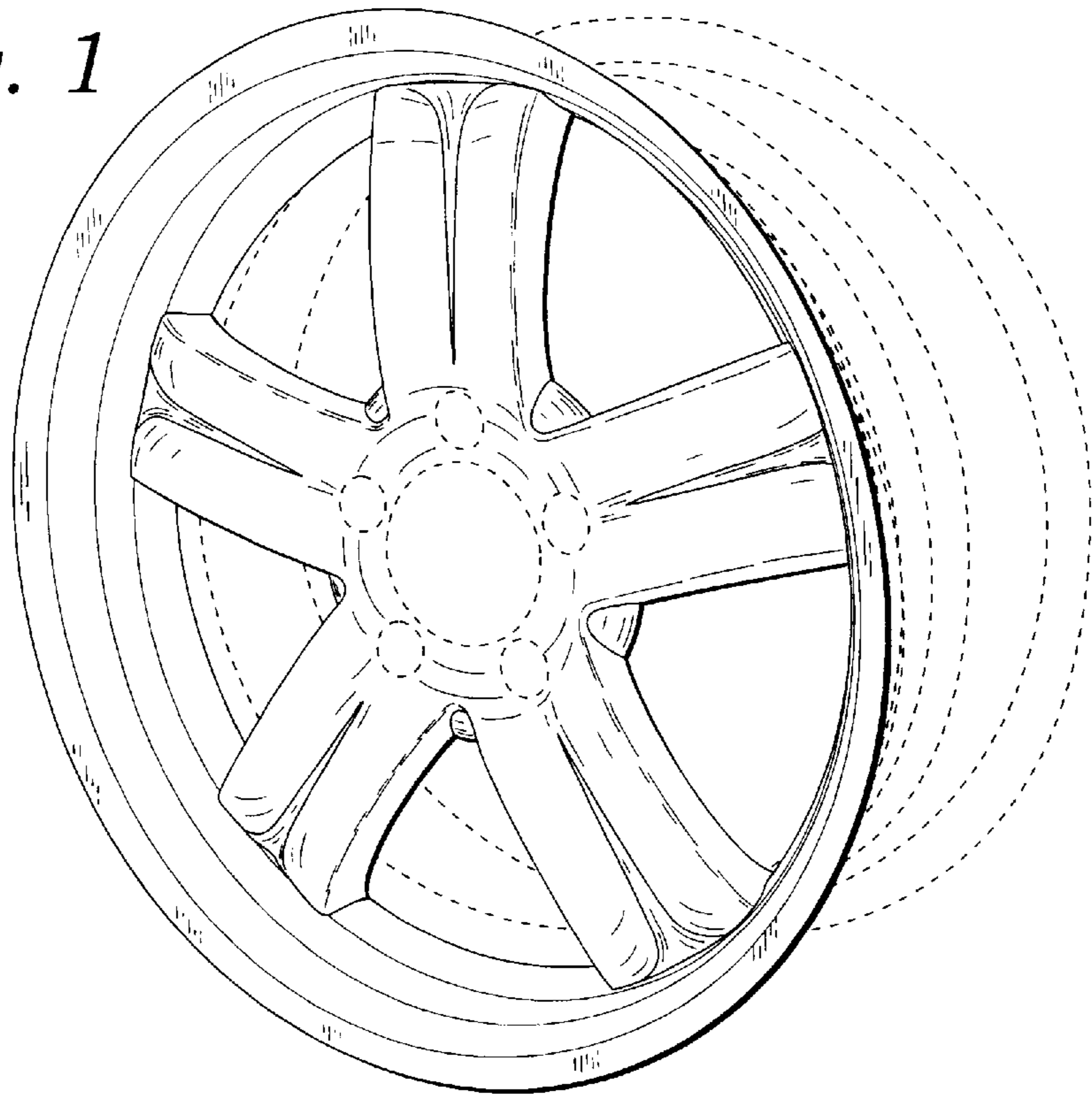


Fig. 2

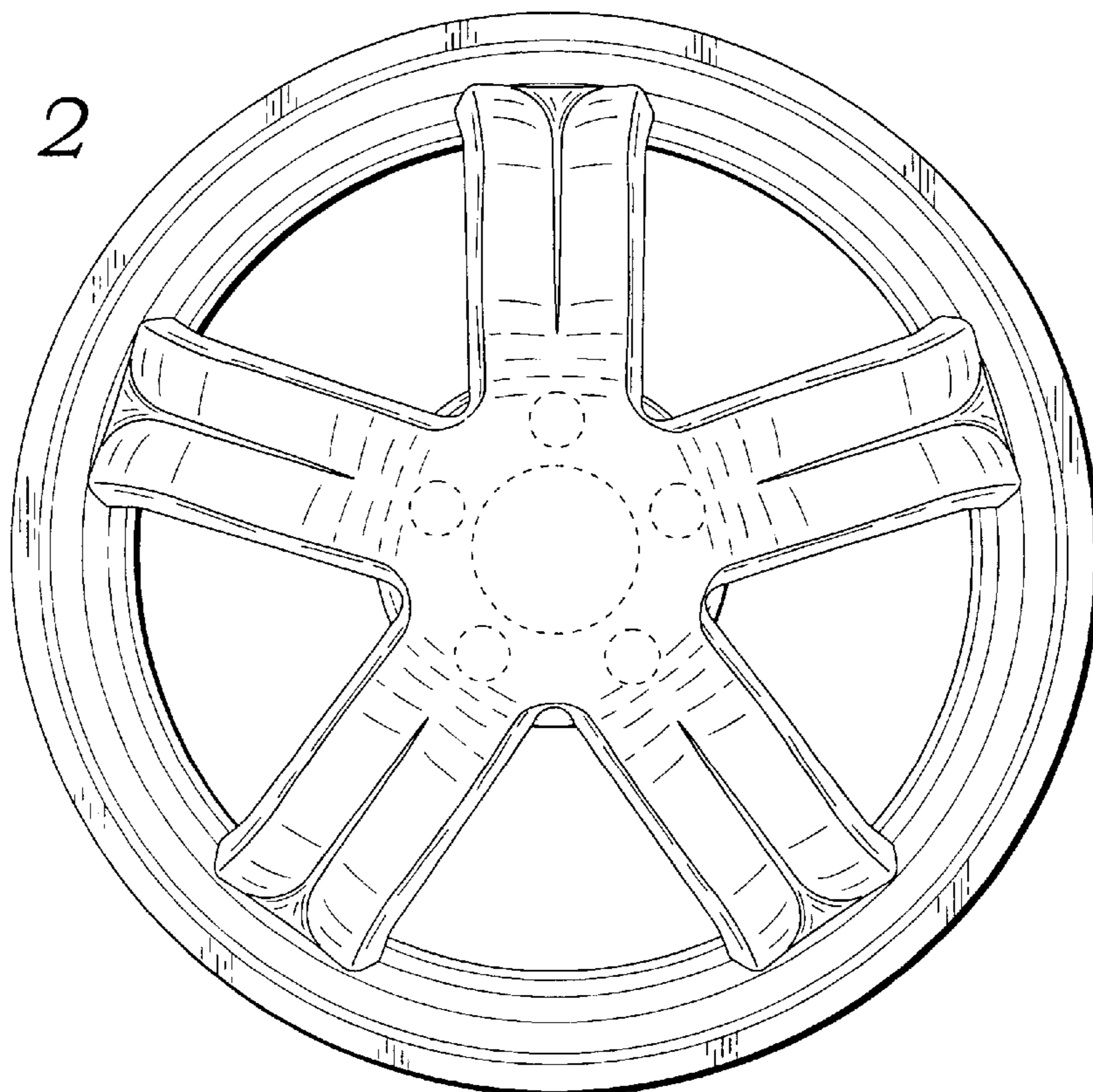


Fig. 3

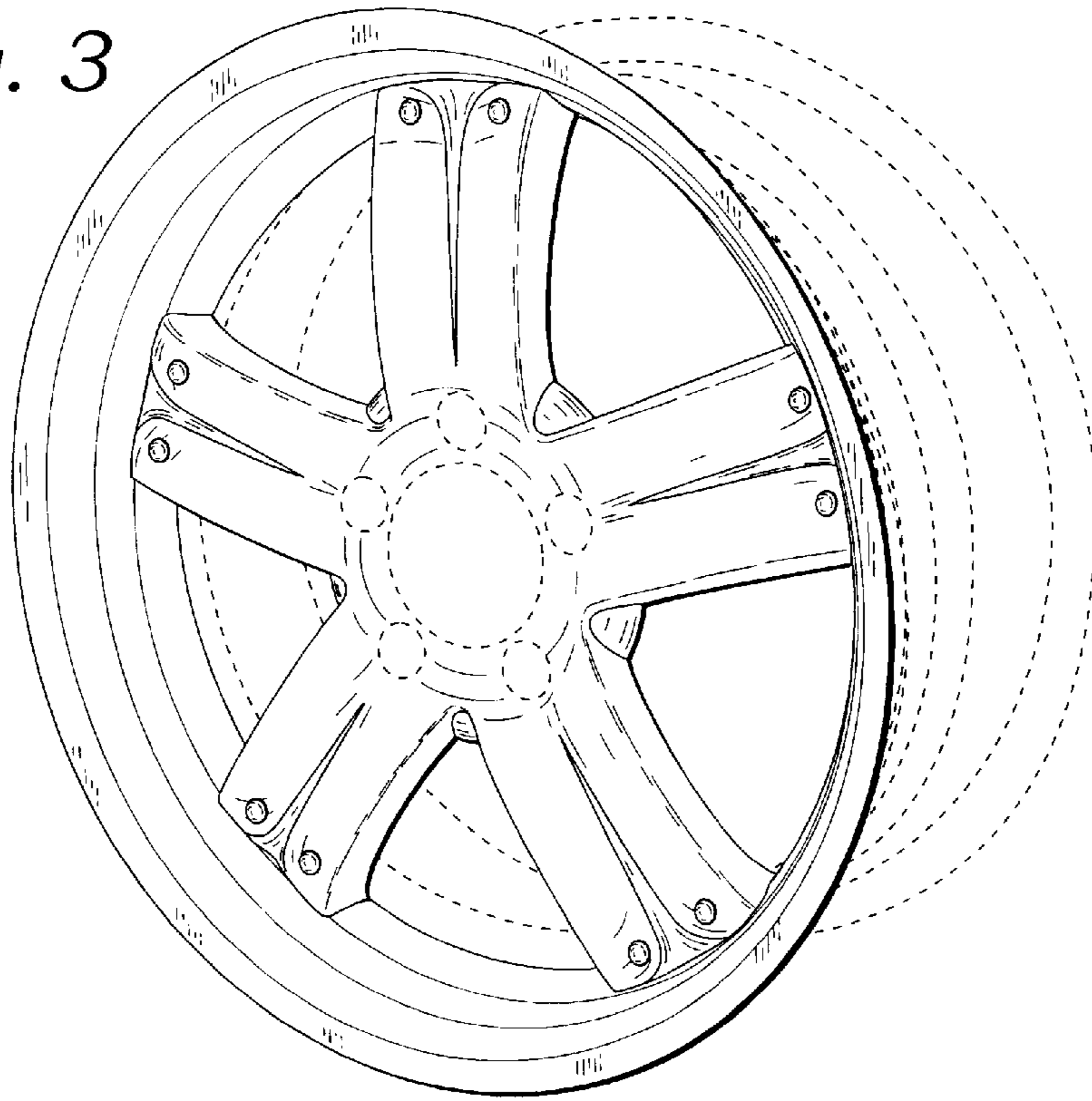


Fig. 4

