



US00D456333S

(12) **United States Design Patent**
Pollmann

(10) **Patent No.:** **US D456,333 S**

(45) **Date of Patent:** **** Apr. 30, 2002**

(54) **FRONT FACE OF A VEHICLE WHEEL**

(75) Inventor: **Gert Pollmann, Böhmfeld (DE)**

(73) Assignee: **Bayerische Motoren Werke
Aktiengesellschaft, Munich (DE)**

(**) Term: **14 Years**

(21) Appl. No.: **29/141,906**

(22) Filed: **May 16, 2001**

(30) **Foreign Application Priority Data**

Nov. 16, 2000 (DE) 4 00 10 998

(51) **LOC (7) Cl.** **12-16**

(52) **U.S. Cl.** **D12/211**

(58) **Field of Search** D12/204-211;
301/37.1, 64.1, 65

(56) **References Cited**

U.S. PATENT DOCUMENTS

- D258,503 S * 3/1981 Semple D12/211
- D392,611 S * 3/1998 Echazabal et al. D12/211
- D402,951 S * 12/1998 Wechner D12/211
- D407,056 S * 3/1999 Hodges et al. D12/211

- D407,364 S * 3/1999 Fisker D12/209
- D409,552 S * 5/1999 Chung D12/211
- D416,532 S * 11/1999 Cullen D12/209
- D419,945 S * 2/2000 Hartanto D12/211
- D427,130 S * 6/2000 Johnson D12/211
- D432,071 S * 10/2000 Brown D12/211
- D432,974 S * 10/2000 Jablonski D12/211
- D447,993 S * 9/2001 Neeper D12/211

* cited by examiner

Primary Examiner—Stacia Cadmus

(74) *Attorney, Agent, or Firm*—Crowell & Moring LLP

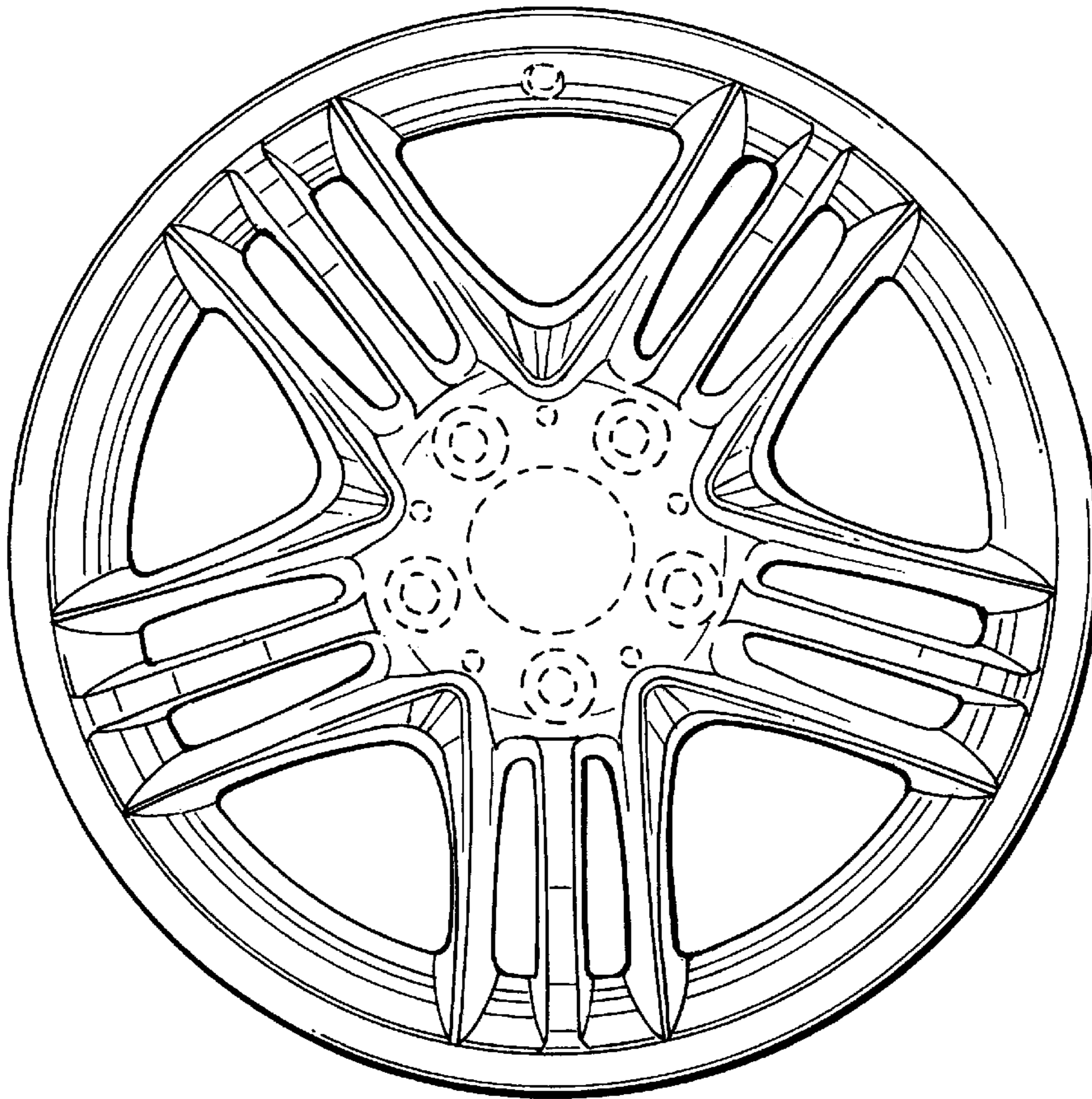
(57) **CLAIM**

The ornamental design for a front face of a vehicle wheel, as shown and described.

DESCRIPTION

FIG. 1 is a front view of a front face of a vehicle wheel according to my novel design; and, FIG. 2 is a perspective view of the front face of a vehicle wheel according to my novel design. The dash lines included depict environment and are not part of the claimed design.

1 Claim, 1 Drawing Sheet



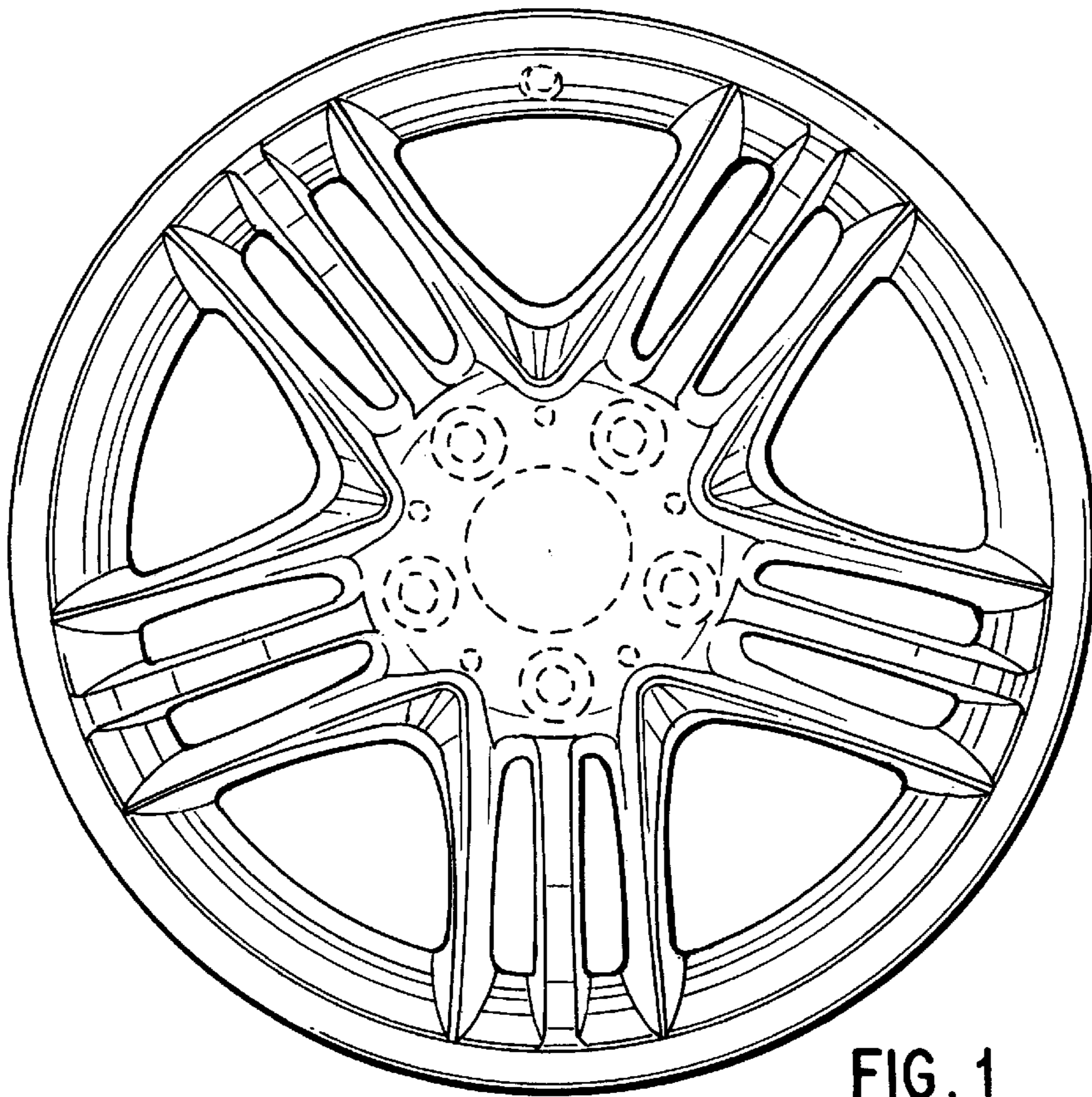


FIG. 1

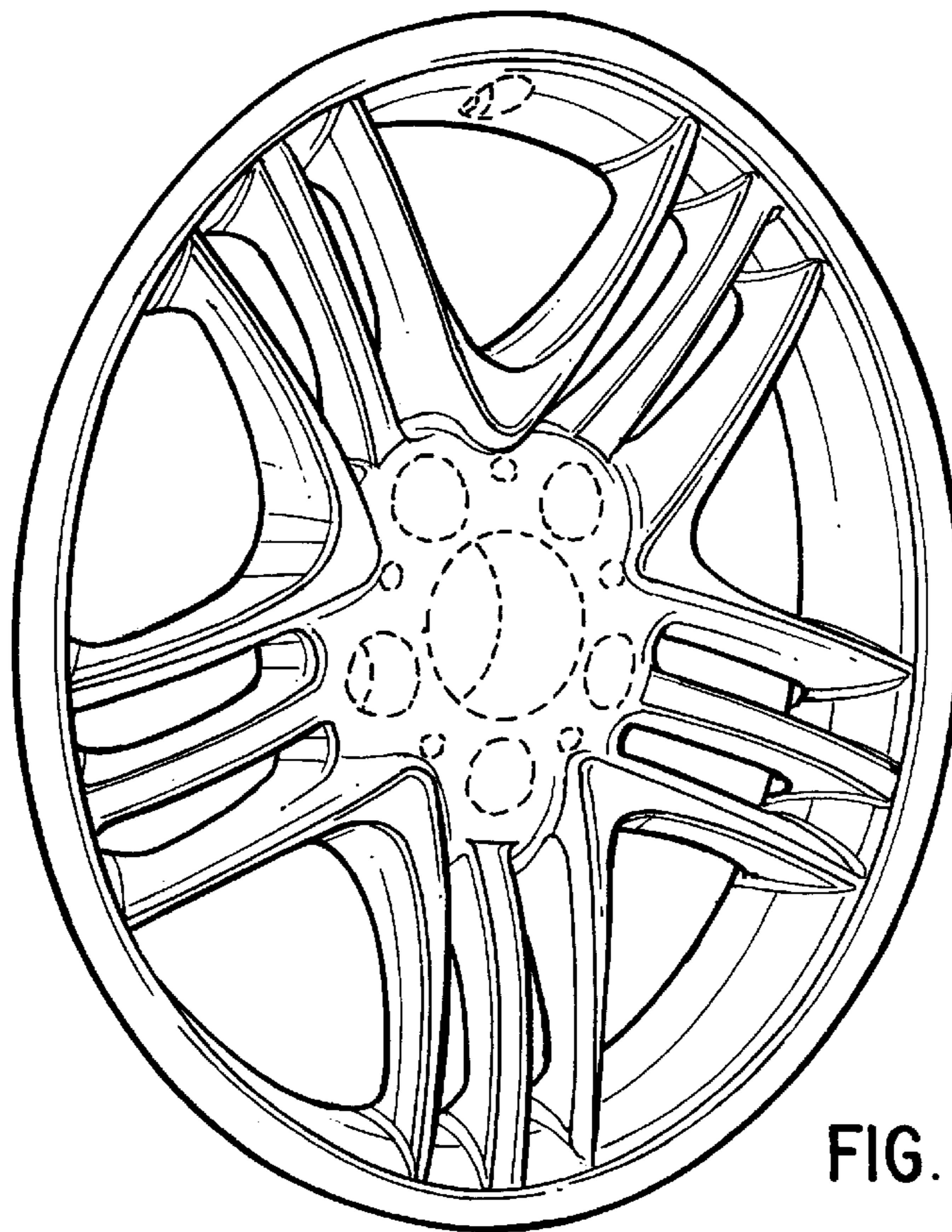


FIG. 2