



US00D456332S

(12) **United States Design Patent**
Vian

(10) **Patent No.:** **US D456,332 S**

(45) **Date of Patent:** **** Apr. 30, 2002**

(54) **FRONT FACE FOR A VEHICLE WHEEL**

(75) **Inventor:** **Paolo Vian**, Tregnago (IT)

(73) **Assignee:** **Breed Automotive Technology, Inc.**,
Lakeland, FL (US)

(**) **Term:** **14 Years**

(21) **Appl. No.:** **29/139,472**

(22) **Filed:** **Mar. 23, 2001**

(30) **Foreign Application Priority Data**

Nov. 21, 2000 (IT) MI0000795

(51) **LOC (7) Cl.** **12-16**

(52) **U.S. Cl.** **D12/211**

(58) **Field of Search** D12/204-211;
301/37.1, 64.1, 65

(56) **References Cited**

U.S. PATENT DOCUMENTS

- D337,563 S * 7/1993 Boselli D12/209
- D352,688 S * 11/1994 Boselli D12/211
- D393,825 S * 4/1998 Fike D12/209
- D409,548 S * 5/1999 Chung D12/209
- D418,799 S * 1/2000 Chung D12/211

- D423,445 S * 4/2000 Baumgartner D12/211
- D424,500 S * 5/2000 Johnson D12/209
- D425,850 S * 5/2000 Chung D12/211
- D444,119 S * 6/2001 Brintouch D12/211
- D450,030 S * 11/2001 Pfeiffer D12/211

FOREIGN PATENT DOCUMENTS

JP 1117353 6/2001

* cited by examiner

Primary Examiner—Stacia Cadmus

(74) *Attorney, Agent, or Firm*—Lonnie Drayer

(57) **CLAIM**

The ornamental design for a front face for a vehicle wheel, as shown and described.

DESCRIPTION

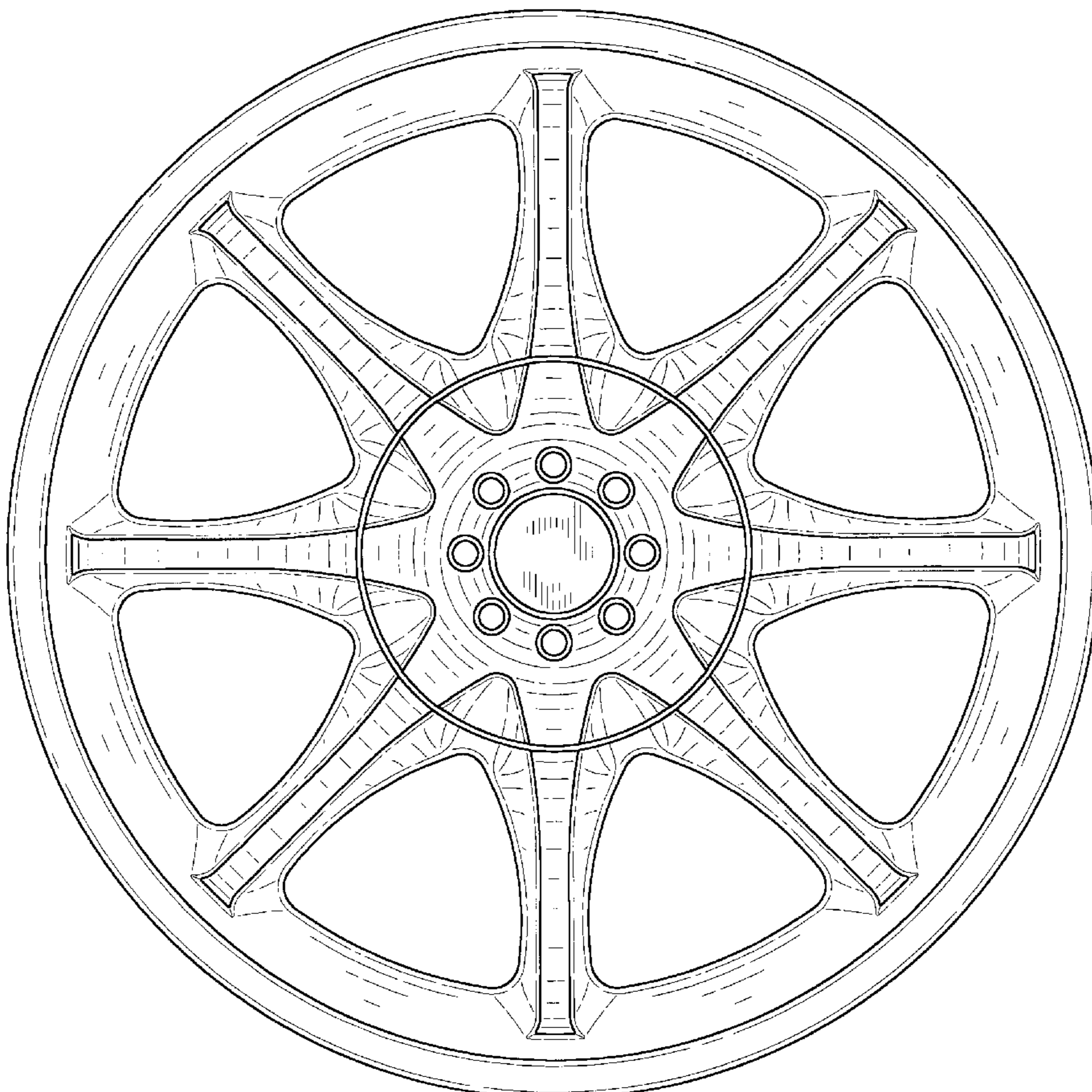
FIG. 1 is a perspective view of a front face for a vehicle wheel, showing my new design;

FIG. 2 is a front elevation view thereof;

FIG. 3 is a perspective view of a second embodiment of a front face for a vehicle wheel showing my new design; and, FIG. 4 is a front elevation view thereof.

The broken line showing of environment is for illustrative purposes only and forms no part of the claimed design.

1 Claim, 4 Drawing Sheets



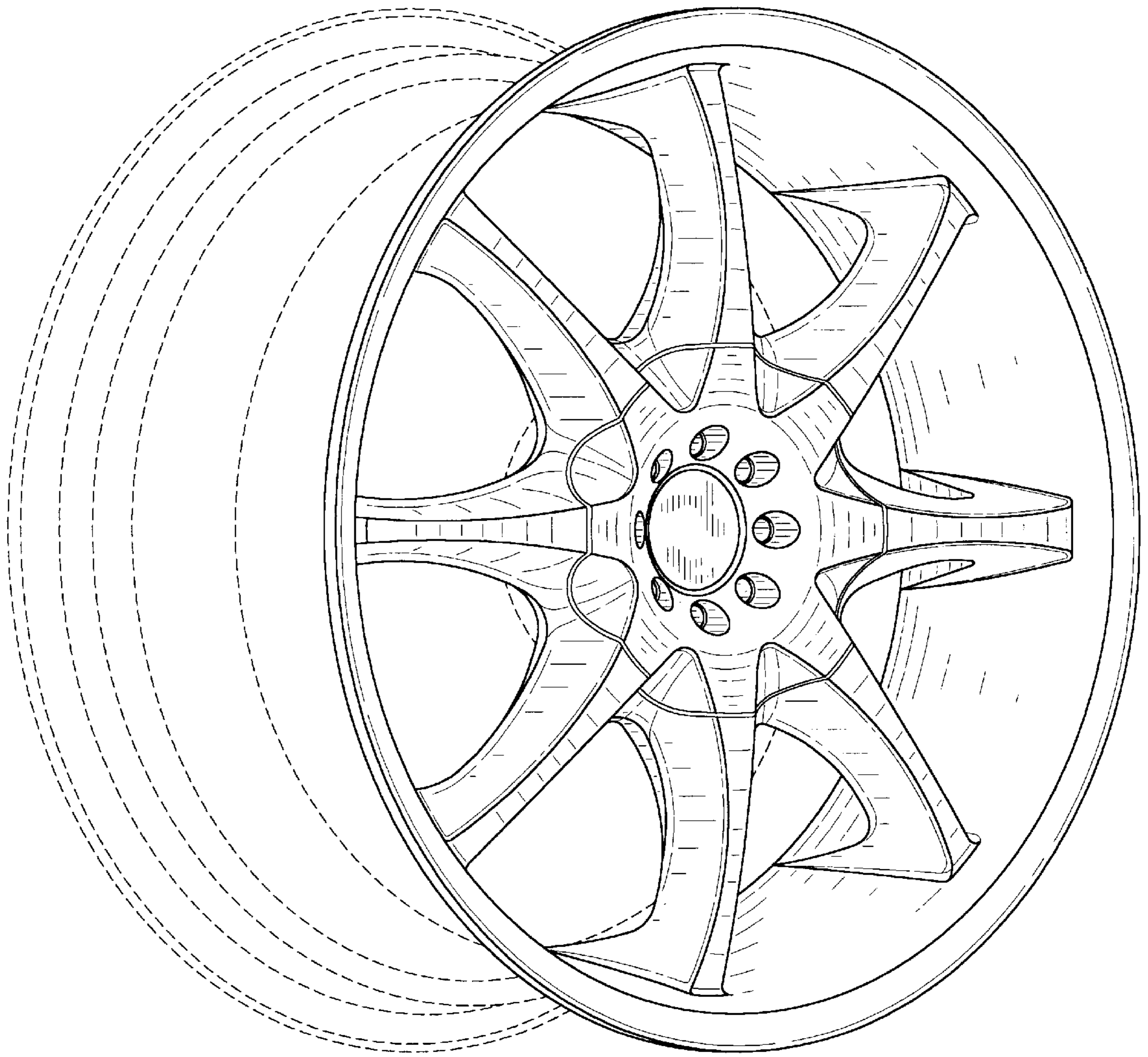


FIG-1

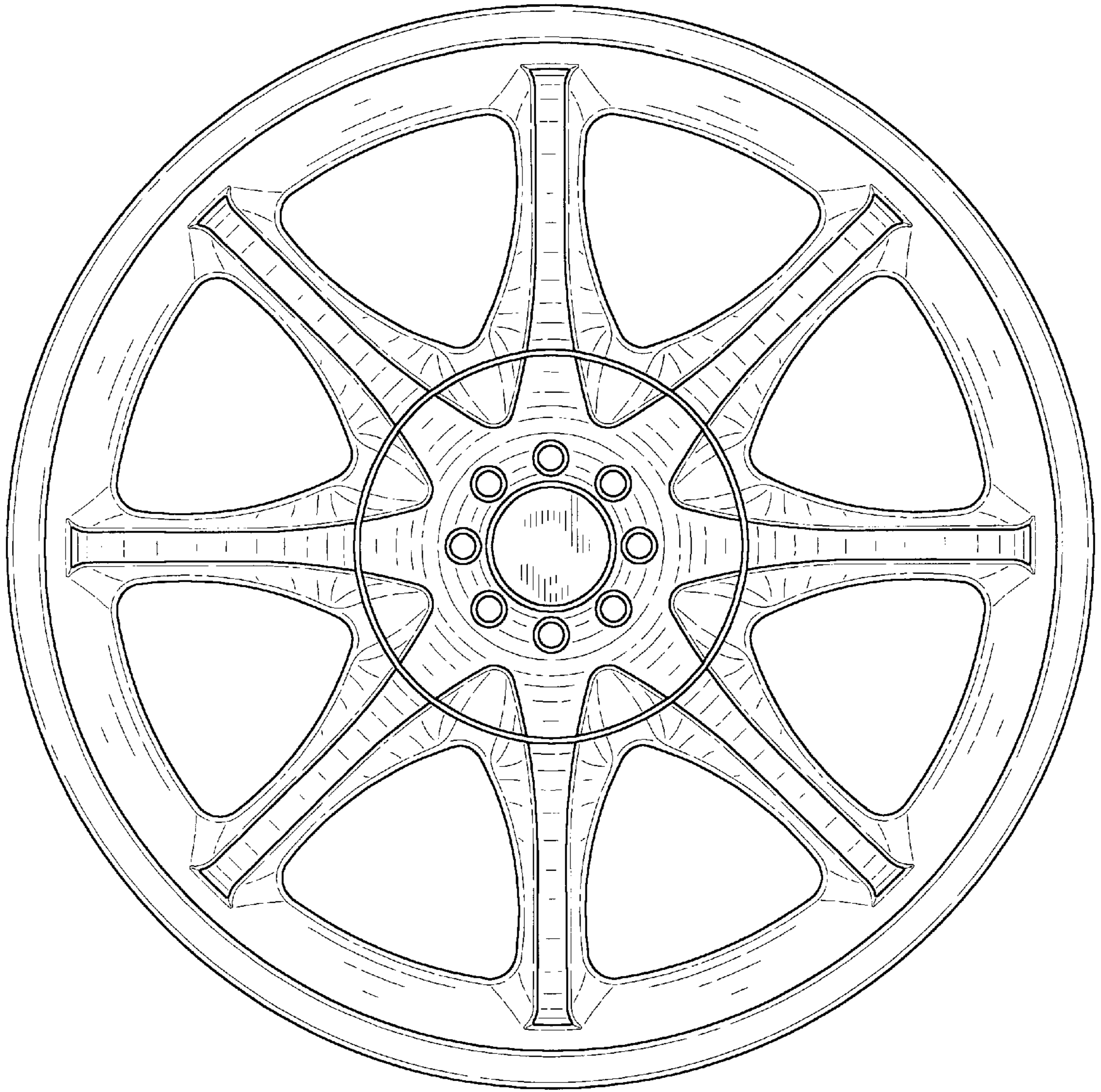


FIG-2

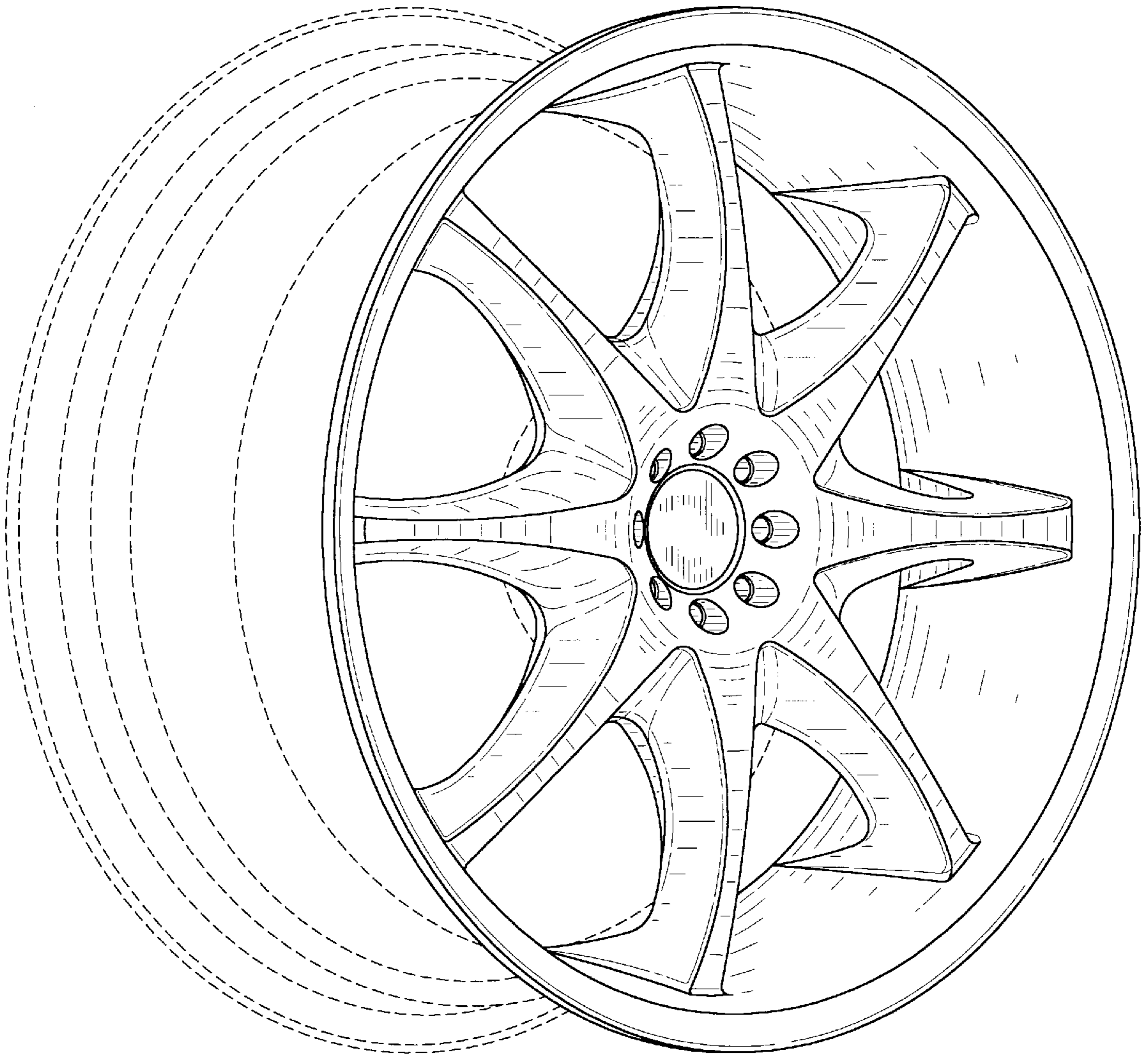


FIG-3

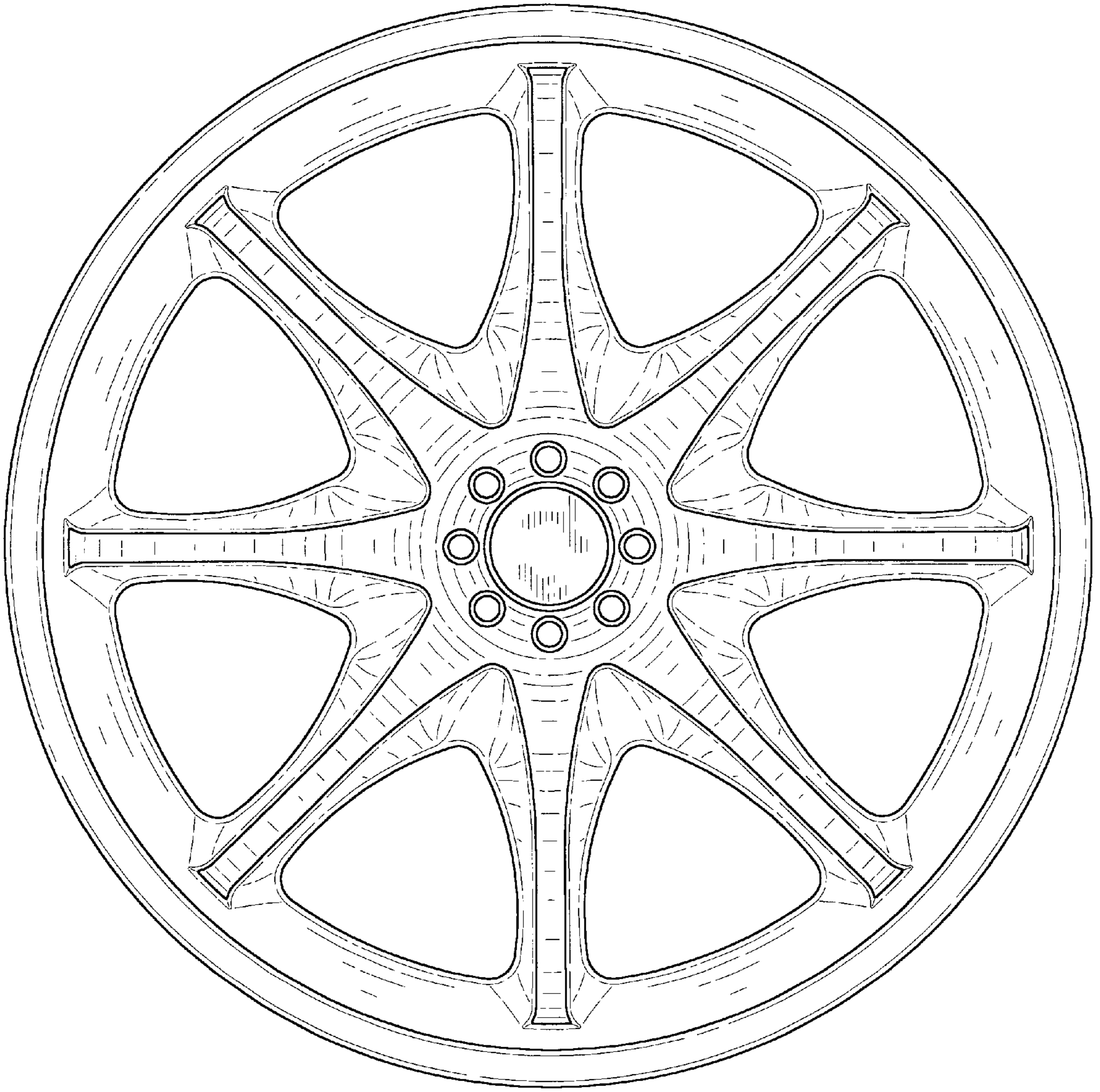


FIG-4