



US00D456328S

(12) **United States Design Patent**  
**Meier**

(10) **Patent No.:** **US D456,328 S**

(45) **Date of Patent:** **\*\* Apr. 30, 2002**

(54) **MOTORCYCLE DASH VISOR**

(76) Inventor: **James W. Meier**, 5029 W. Parkview  
La., Glendale, AZ (US) 85310

(\*\*) Term: **14 Years**

(21) Appl. No.: **29/141,040**

(22) Filed: **Apr. 30, 2001**

(51) **LOC (7) Cl.** ..... **12-12**

(52) **U.S. Cl.** ..... **D12/182**

(58) **Field of Search** ..... D12/110, 114,  
D12/181, 182; 180/219; 296/78.1, 91, 97.3,  
97.7; D29/108-110; 2/6.3, 6.5, 426, 431

(56) **References Cited**

**U.S. PATENT DOCUMENTS**

|             |   |        |              |       |         |
|-------------|---|--------|--------------|-------|---------|
| D214,007 S  | * | 4/1969 | Hiatt et al. | ..... | D12/182 |
| D273,288 S  | * | 4/1984 | Johnson      | ..... | D12/182 |
| D284,564 S  | * | 7/1986 | Kopecky      | ..... | D12/182 |
| 4,840,418 A | * | 6/1989 | Bockenheuser | ..... | 296/91  |

\* cited by examiner

*Primary Examiner*—Alan P. Douglas

*Assistant Examiner*—Linda Brooks

(74) *Attorney, Agent, or Firm*—H. Gordon Shields

(57) **CLAIM**

The ornamental design for a motorcycle dash visor, as shown and described.

**DESCRIPTION**

FIG. 1 is a perspective view of my design for a motorcycle dash visor in its us environment illustrating my new ornamental design.

FIG. 2 is an enlarged front view thereof.

FIG. 3 is an enlarged rear view thereof.

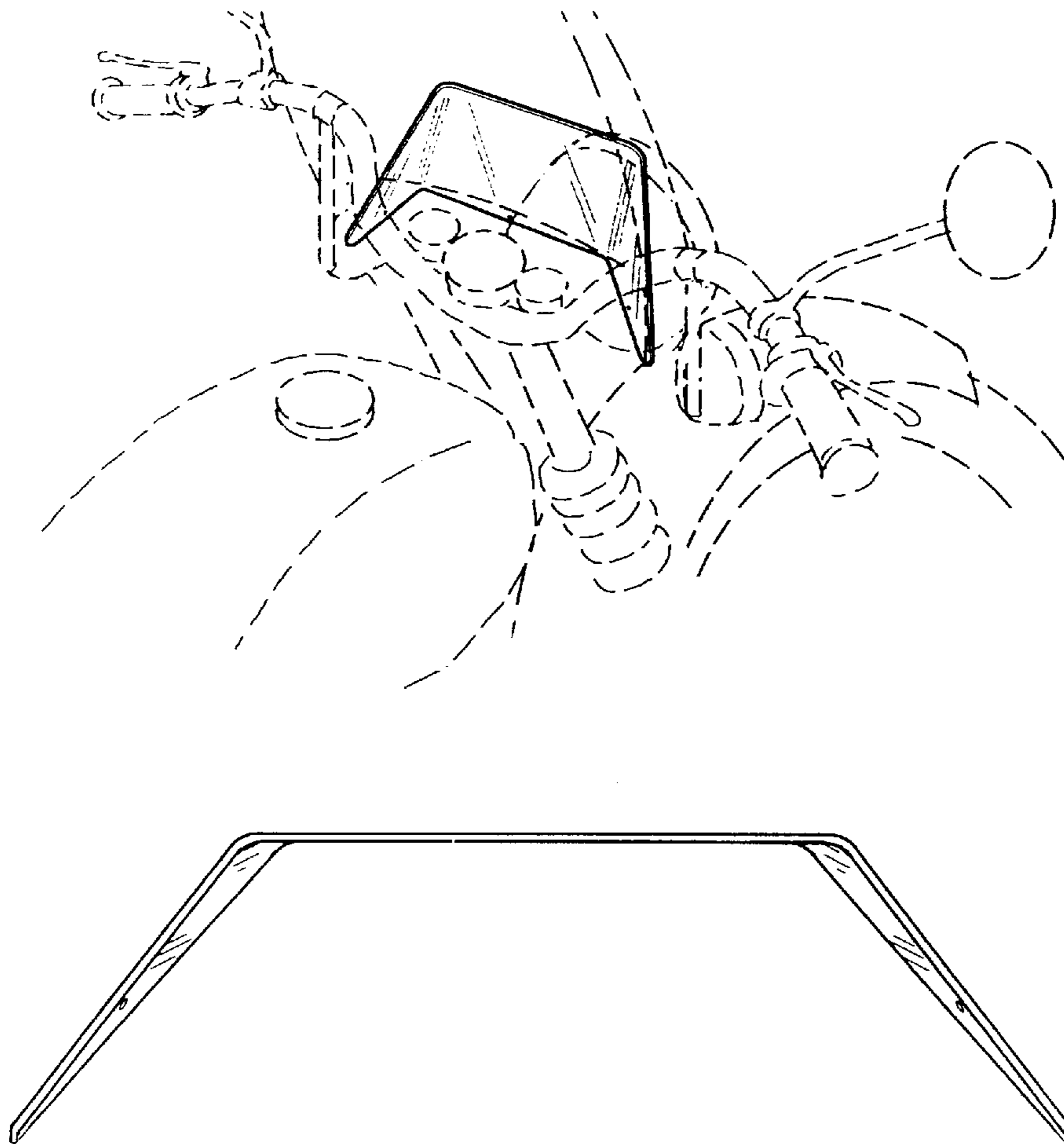
FIG. 4 is an enlarged top view thereof.

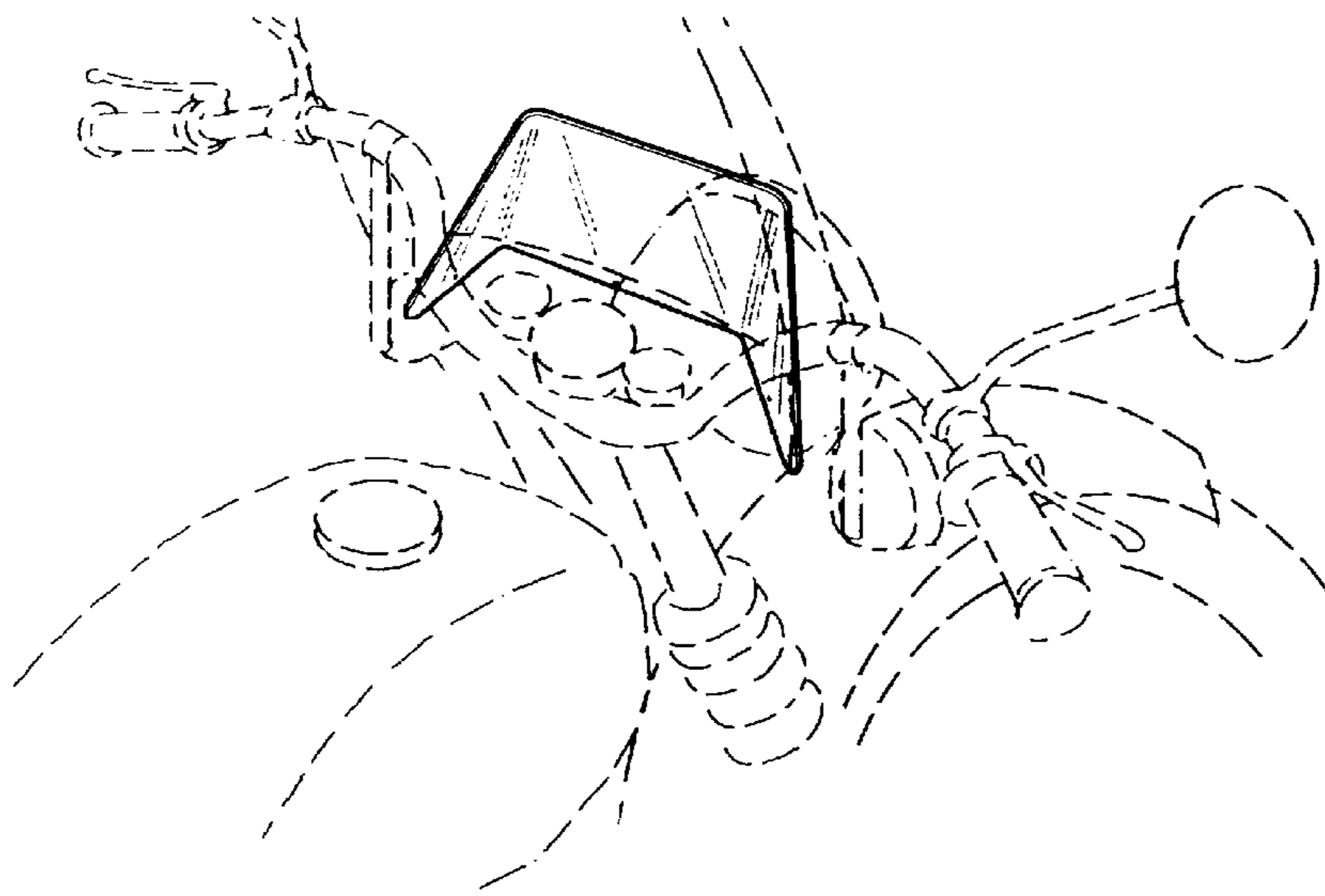
FIG. 5 is an enlarged right side view thereof.

FIG. 6 is an enlarged left side view thereof; and,

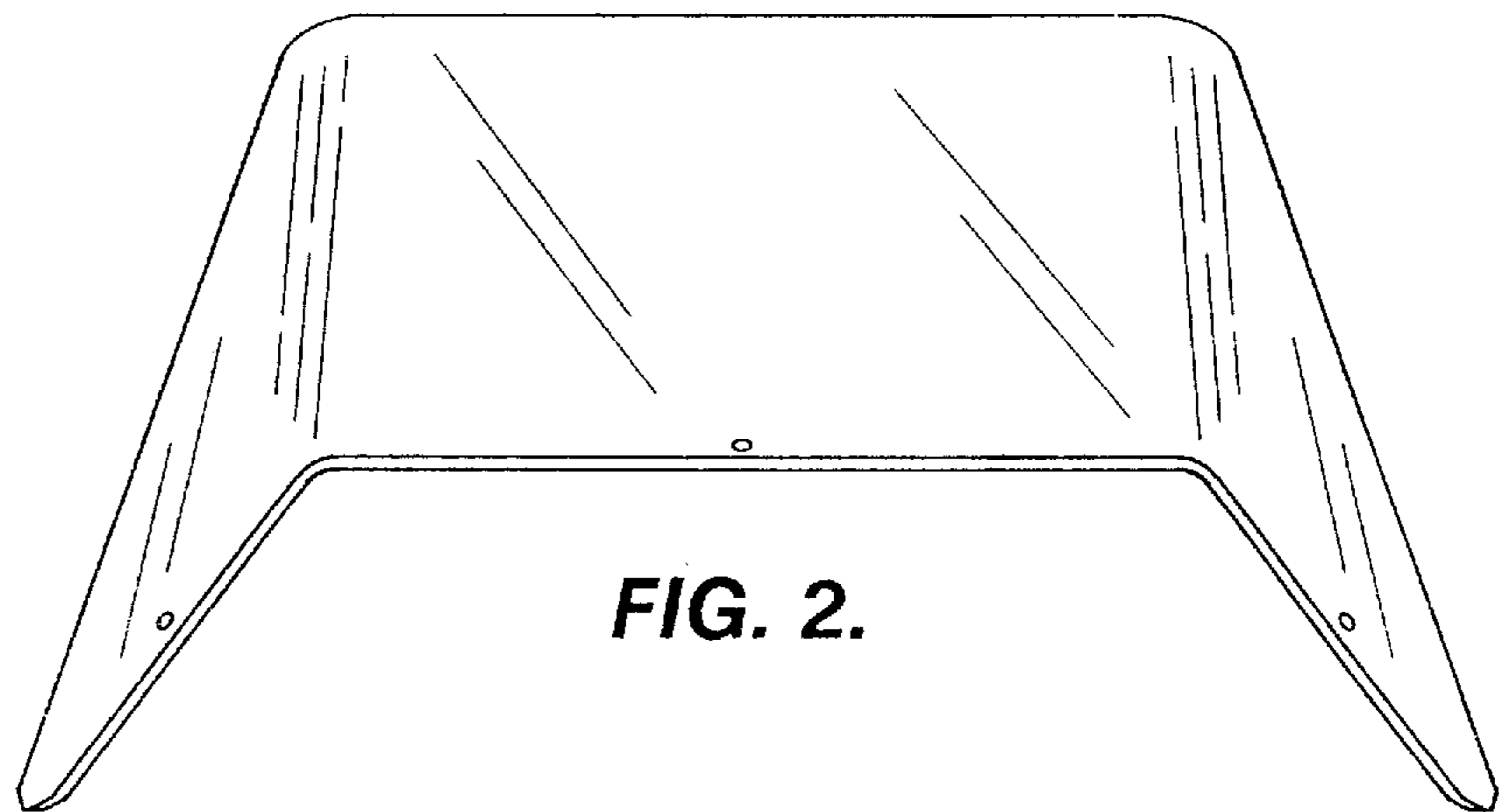
FIG. 7 is an enlarged bottom view thereof.

**1 Claim, 2 Drawing Sheets**

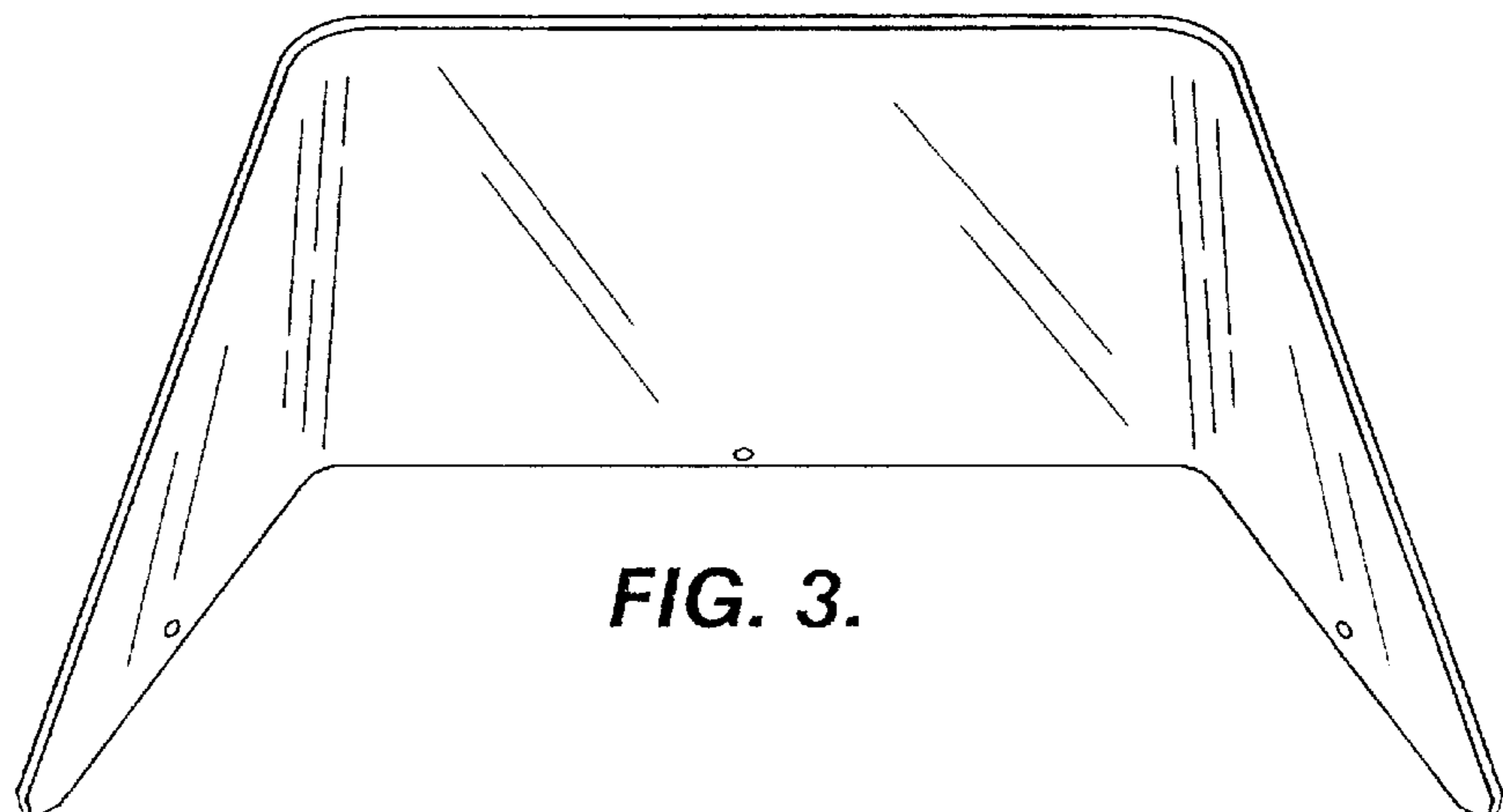




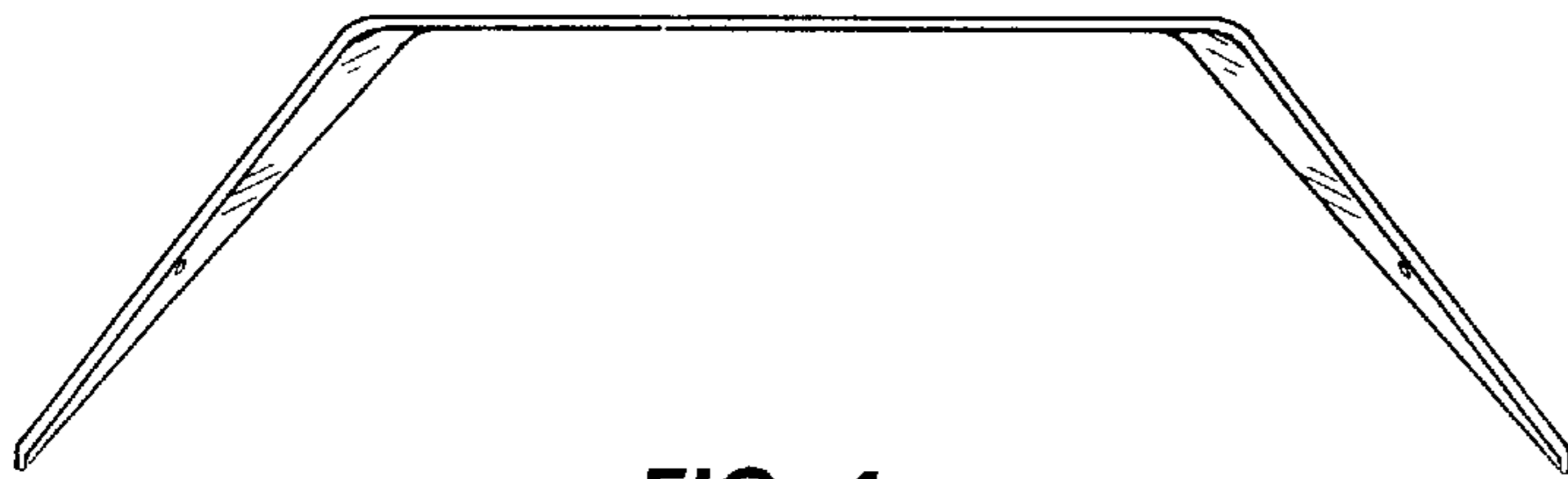
**FIG. 1.**



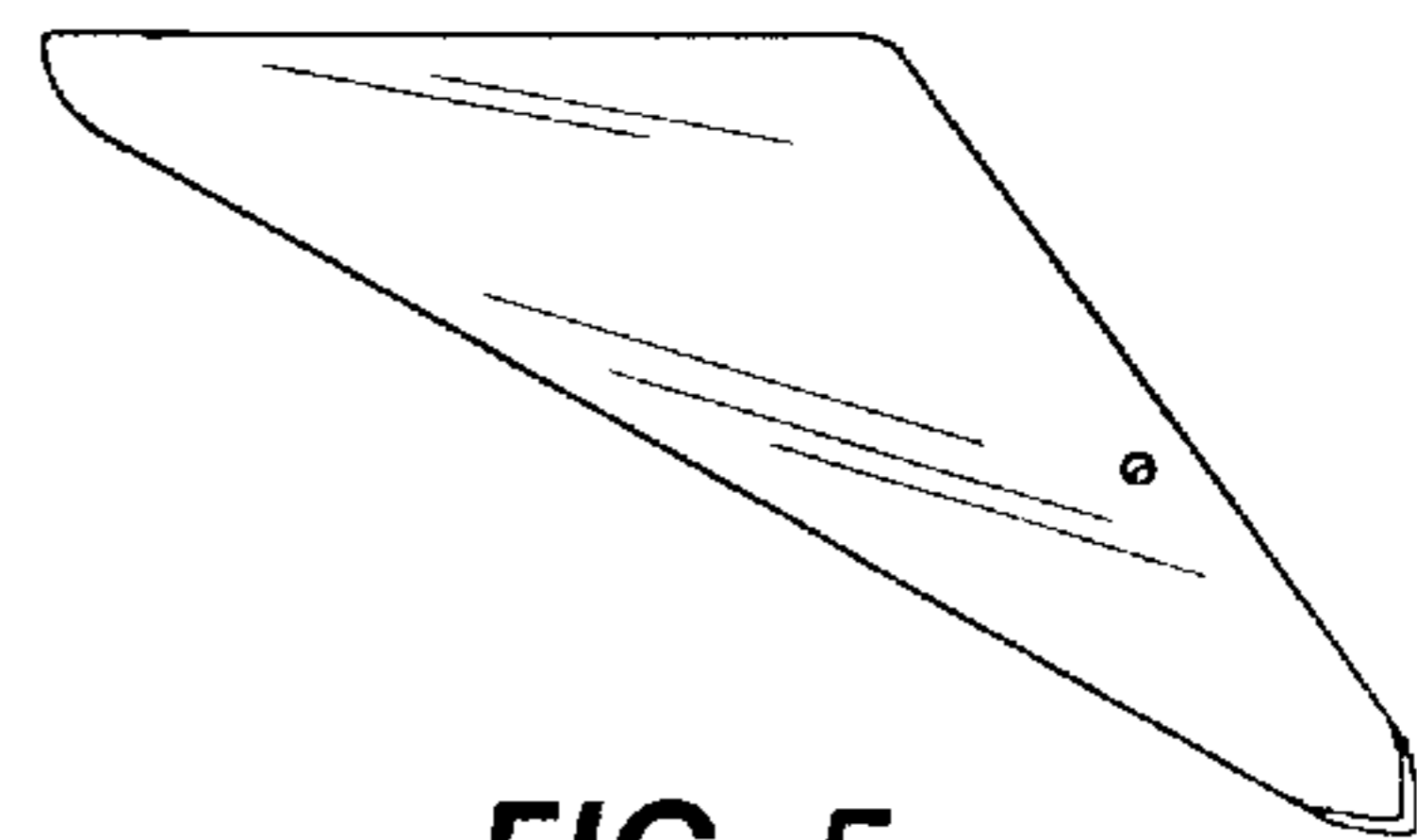
**FIG. 2.**



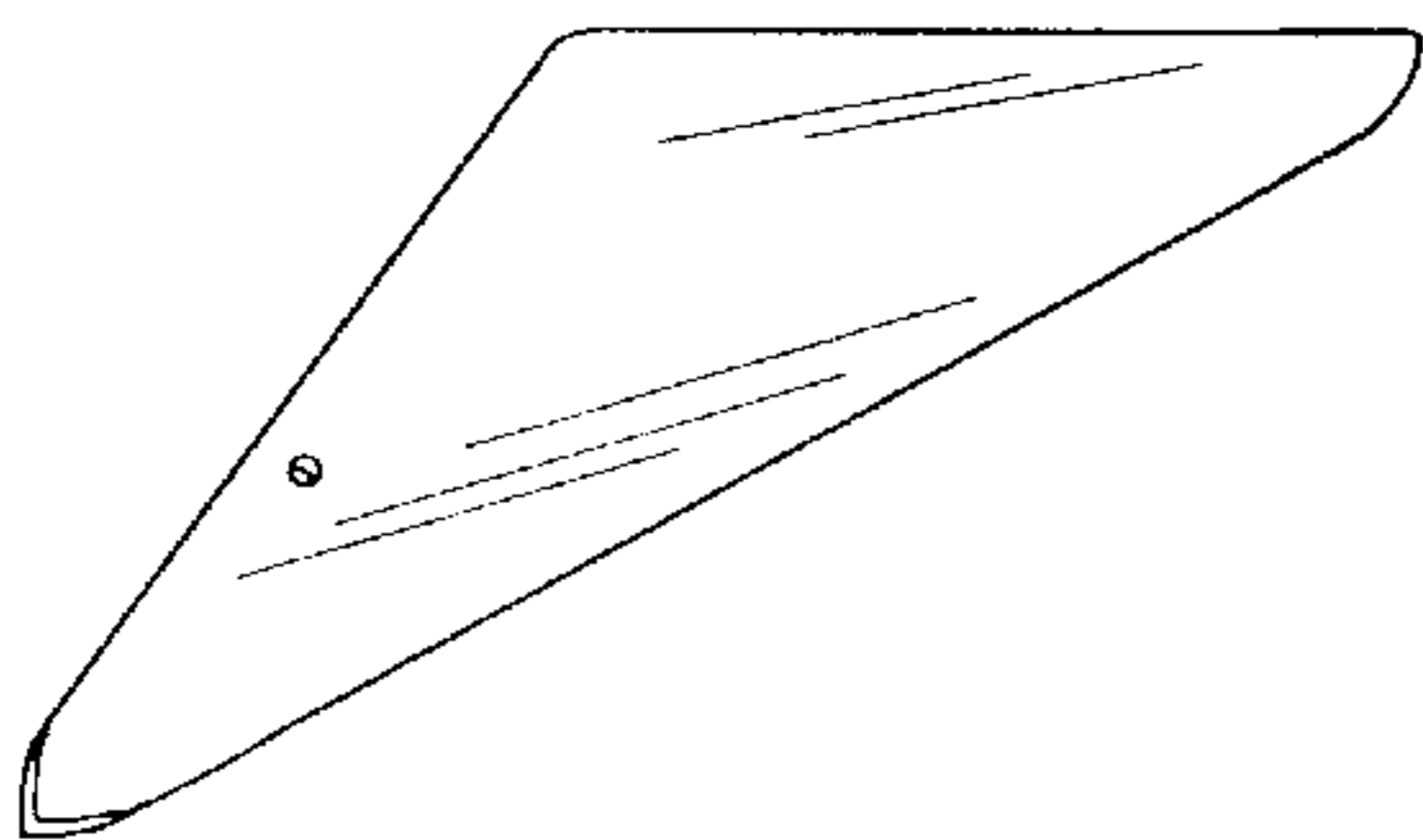
**FIG. 3.**



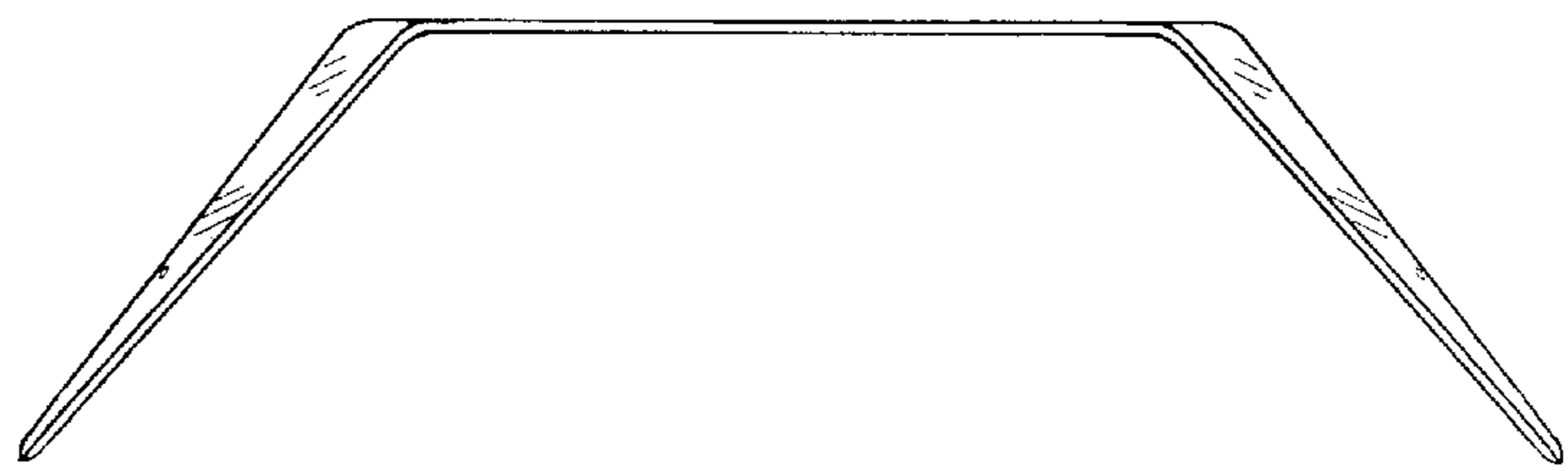
**FIG. 4.**



**FIG. 5.**



**FIG. 6.**



**FIG. 7.**