



US00D456327S

(12) **United States Design Patent**  
**Wanlass**

(10) **Patent No.:** **US D456,327 S**

(45) **Date of Patent:** **\*\* Apr. 30, 2002**

(54) **ROADSTER WINDSHIELD**

D416,220 S \* 11/1999 Danielson ..... D12/183  
D443,572 S \* 6/2001 Freeman ..... D12/182

(75) Inventor: **Stanley Wanlass**, Sandy, UT (US)

\* cited by examiner

(73) Assignee: **Rainbow, Inc.**, Sandy, UT (US)

*Primary Examiner*—Melody N. Brown

(\*\*) Term: **14 Years**

(74) *Attorney, Agent, or Firm*—M. Reid Russell

(21) Appl. No.: **29/138,639**

(57) **CLAIM**

(22) Filed: **Mar. 19, 2001**

The ornamental design for a roadster windshield, as shown and described.

(51) **LOC (7) Cl.** ..... **12-16**

**DESCRIPTION**

(52) **U.S. Cl.** ..... **D12/182**

(58) **Field of Search** ..... D12/182, 183;  
296/78.1, 97.1-97.8; 280/288.4; 160/370.21,  
370.22

FIG. 1 is a right side perspective view taken from slightly above and in front of a roadster windshield showing my new design;

FIG. 2 is a front elevation view thereof;

FIG. 3 is a rear elevation view thereof;

FIG. 4 is a top plan view thereof;

FIG. 5 is a bottom plan view thereof;

FIG. 6 is a left side elevation view thereof; and,

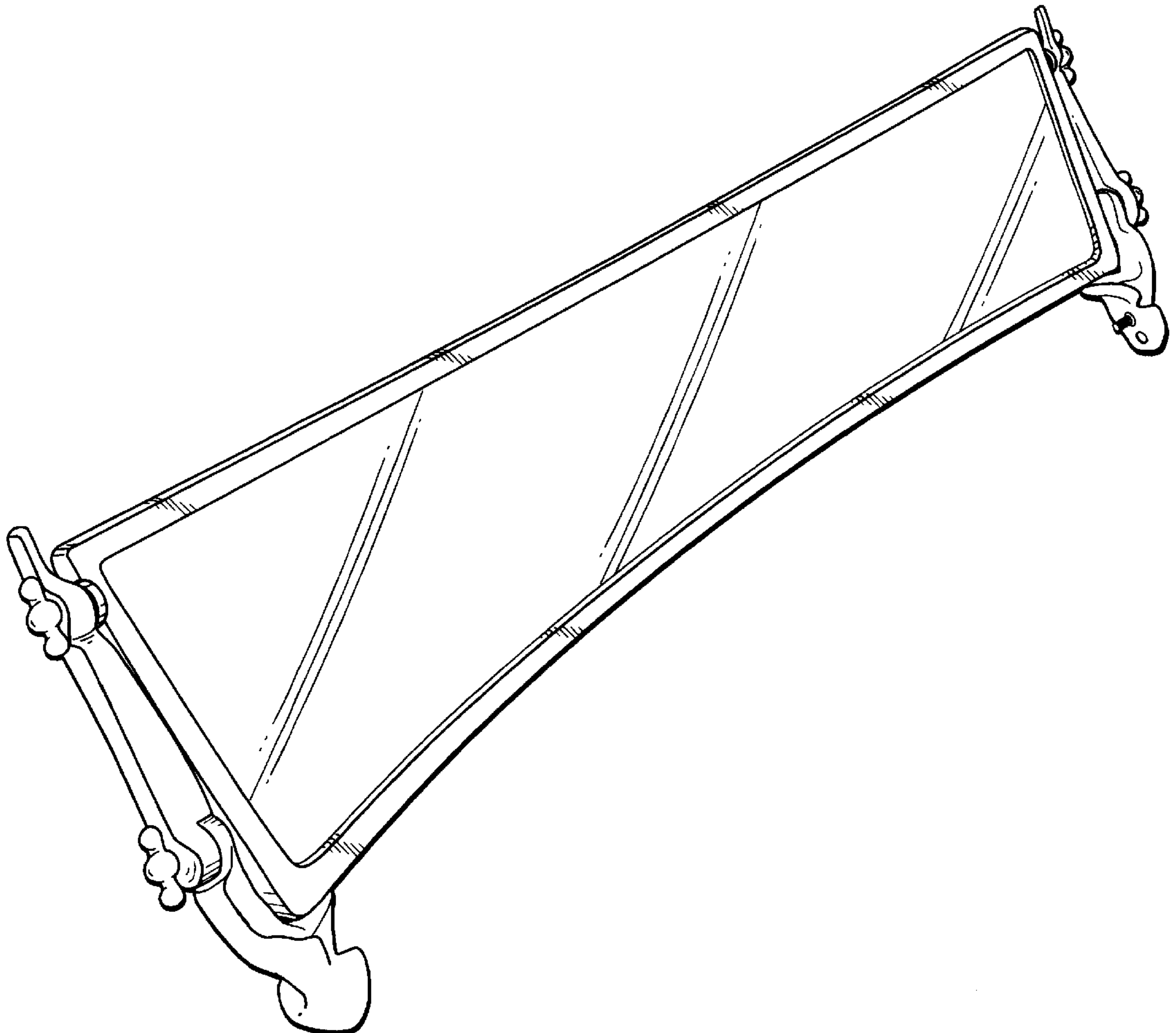
FIG. 7 is a right side elevation view thereof.

(56) **References Cited**

**U.S. PATENT DOCUMENTS**

2,499,136 A \* 2/1950 Edlund et al. .... D12/182 X  
D158,184 S \* 4/1950 Edlund et al. .... D12/182  
D371,759 S \* 7/1996 Lassen ..... D12/183  
D399,716 S \* 10/1998 Bramstedt ..... D12/182

**1 Claim, 4 Drawing Sheets**



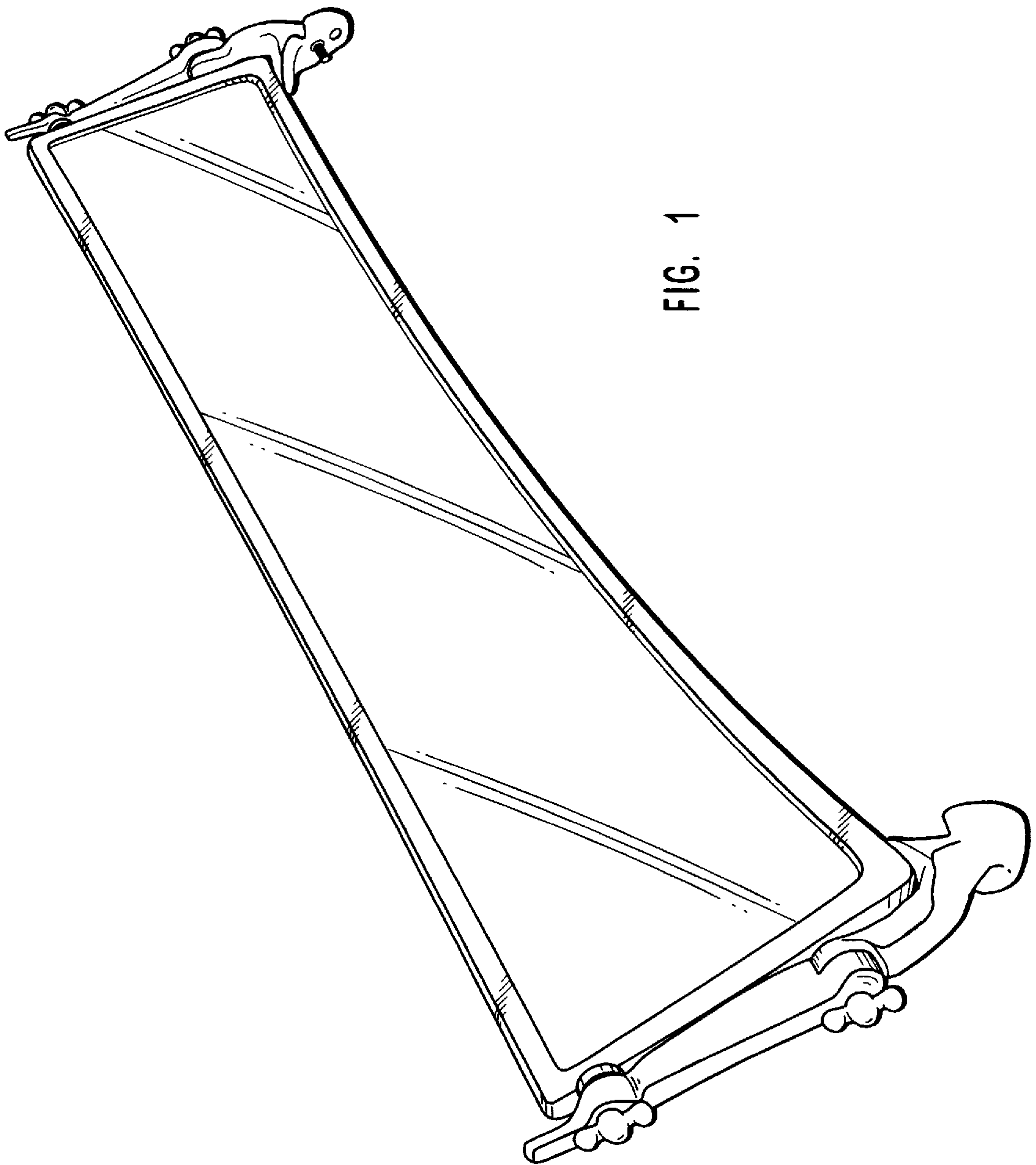


FIG. 1

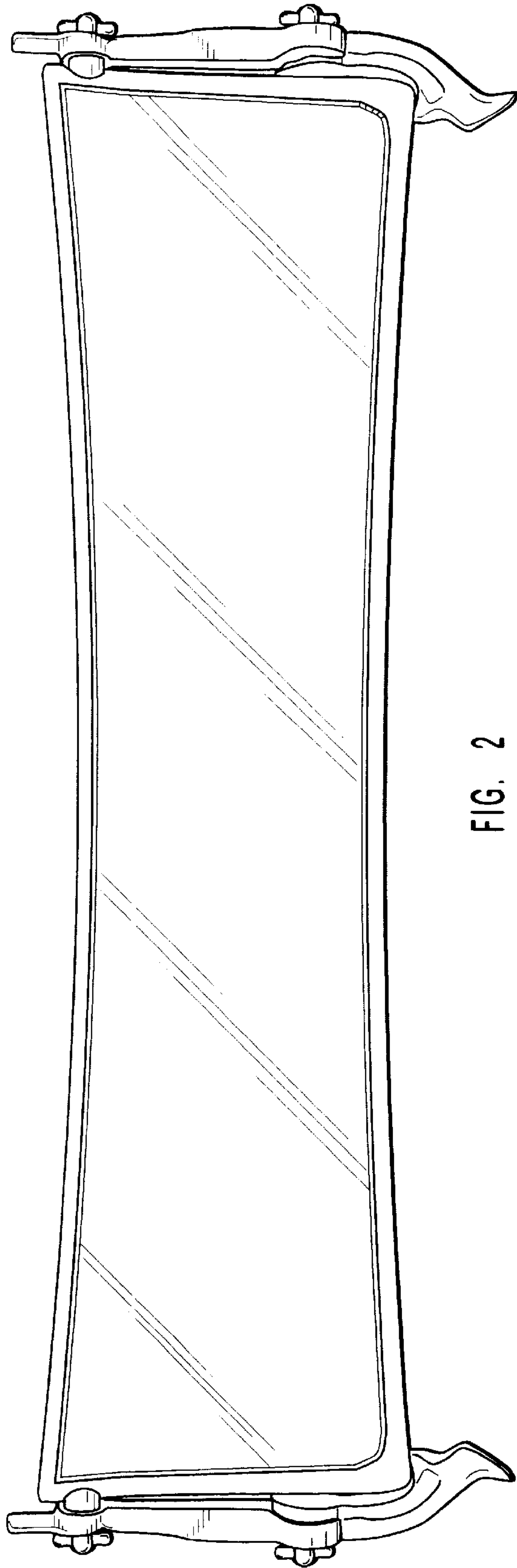


FIG. 2

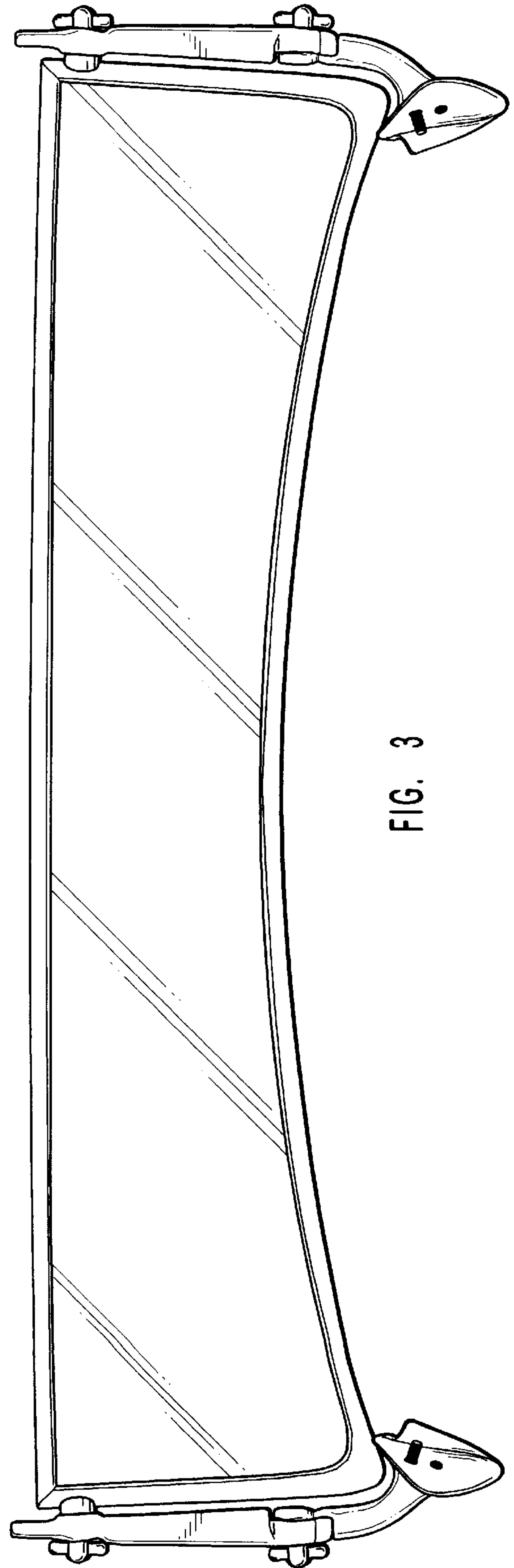


FIG. 3



FIG. 4

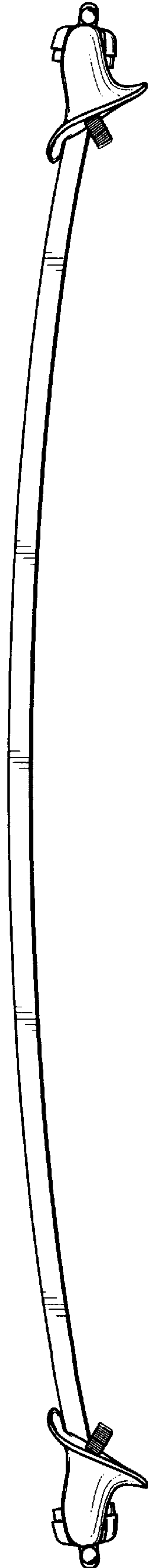


FIG. 5

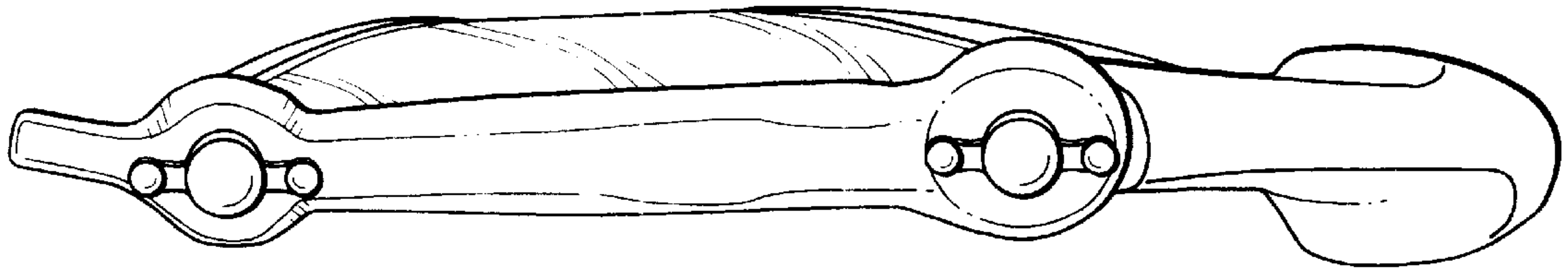


FIG. 7

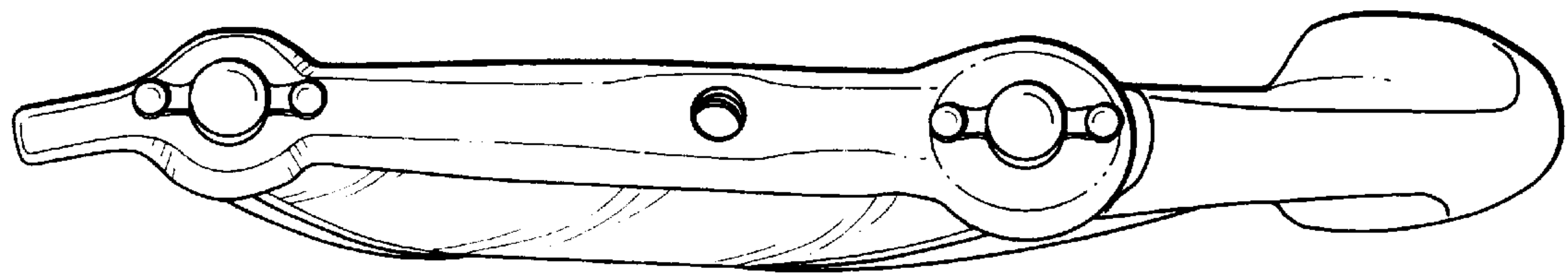


FIG. 6