



US00D456321S

(12) **United States Design Patent**  
**Sammons et al.**

(10) **Patent No.:** **US D456,321 S**

(45) **Date of Patent:** **\*\* Apr. 30, 2002**

(54) **TRAILER HITCH**

D443,567 S \* 6/2001 Weir et al. .... D12/162

(76) Inventors: **Tony B. Sammons**, 3835 Dominion Ct., Albany, GA (US) 31707; **Thomas E. Spence, Jr.**, 261 Cinnamon Dr., Bainbridge, GA (US) 31717

\* cited by examiner

*Primary Examiner*—Stacia Cadmus  
(74) *Attorney, Agent, or Firm*—Smith, Gambrell & Russell, LLP; Dale Lischer; Herbert M. Hanegan

(\*\*) Term: **14 Years**

(57) **CLAIM**

(21) Appl. No.: **29/148,264**

The ornamental design for a trailer hitch, as shown.

(22) Filed: **Sep. 12, 2001**

**DESCRIPTION**

(51) **LOC (7) Cl.** ..... **12-16**

FIG. 1 is a top plan view of a trailer hitch in accordance with the present invention.

(52) **U.S. Cl.** ..... **D12/162**

FIG. 2 is a bottom plan view of a trailer hitch in accordance with the present invention.

(58) **Field of Search** ..... D12/162, 400; 280/415, 416–416.3, 504, 510–513, 493–495, 491.3, 477, 507

FIG. 3 is a side elevation view of a trailer hitch in accordance with the present invention.

(56) **References Cited**

FIG. 4 is a side elevation view of a trailer hitch in accordance with the present invention.

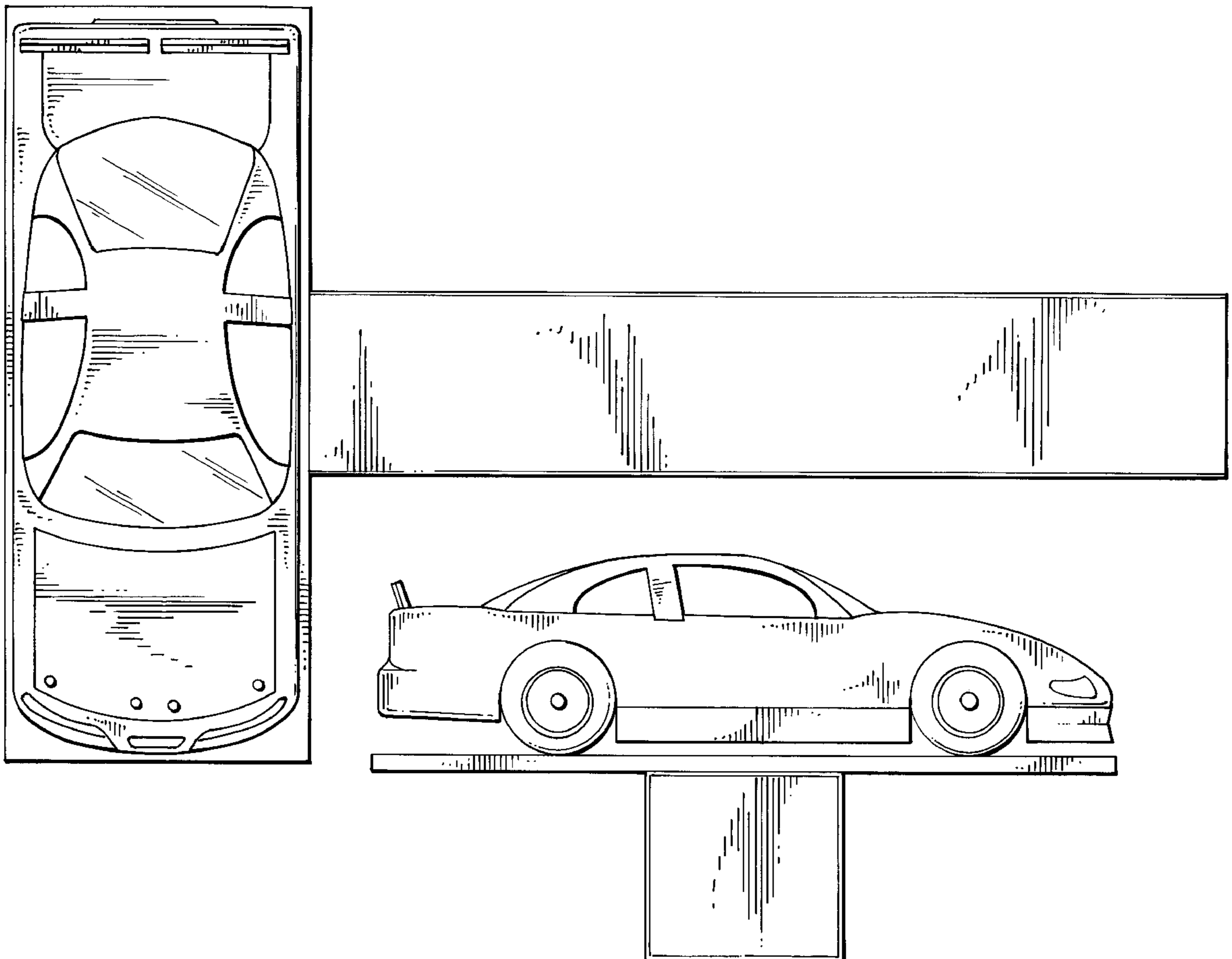
**U.S. PATENT DOCUMENTS**

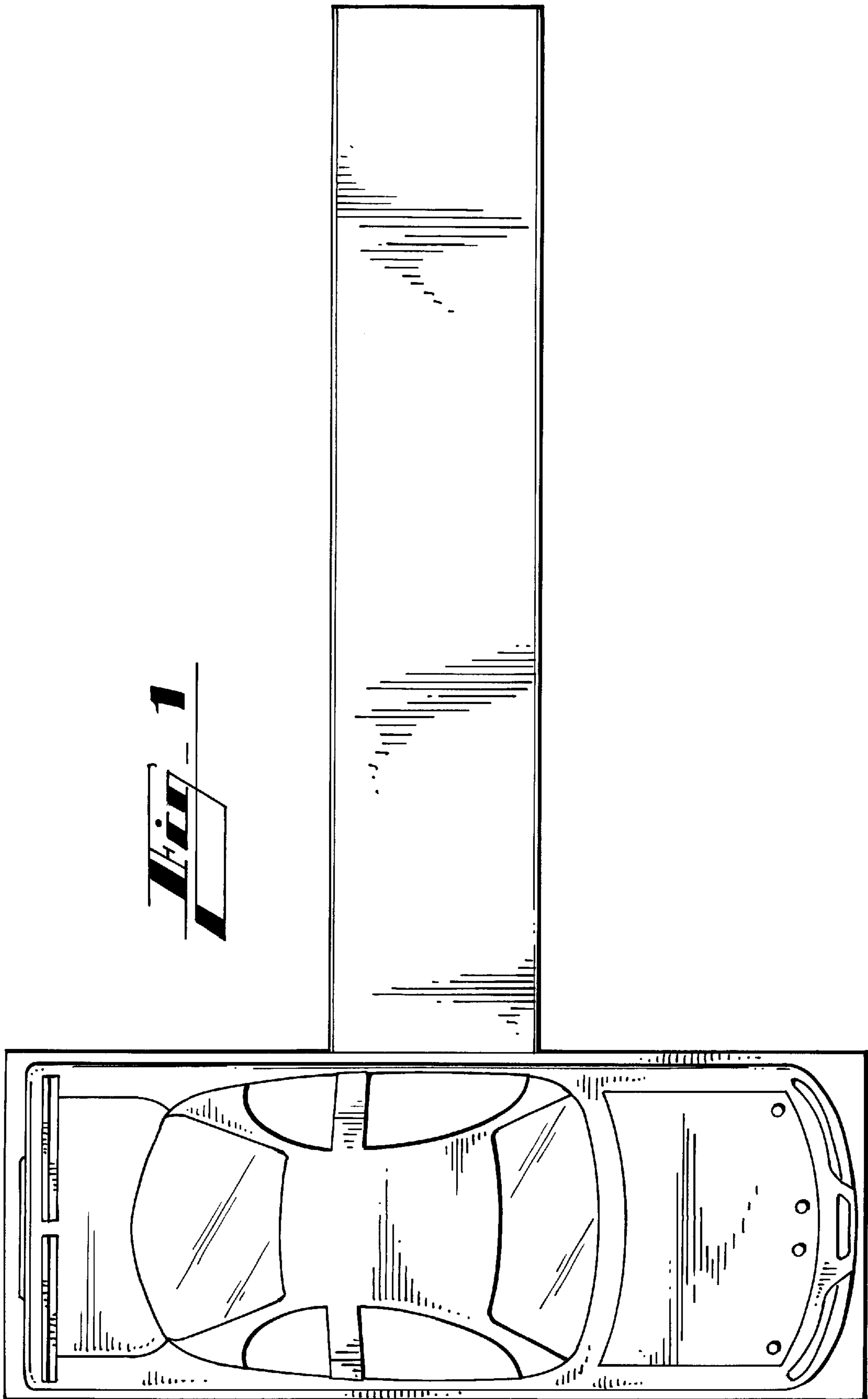
FIG. 5 is a front elevation view of a trailer hitch in accordance with the present invention; and,

D401,193 S	*	11/1998	Julian	.....	D12/162
D401,194 S	*	11/1998	Harwood	.....	D12/162
D413,291 S	*	8/1999	Corns, Jr.	.....	D12/162
D428,839 S	*	8/2000	Horowitz	.....	D12/162
D430,520 S	*	9/2000	Benoun	.....	D12/162
D438,493 S	*	3/2001	Mulliniks et al.	.....	D12/162

FIG. 6 is a rear elevation view of a trailer hitch in accordance with the present invention.

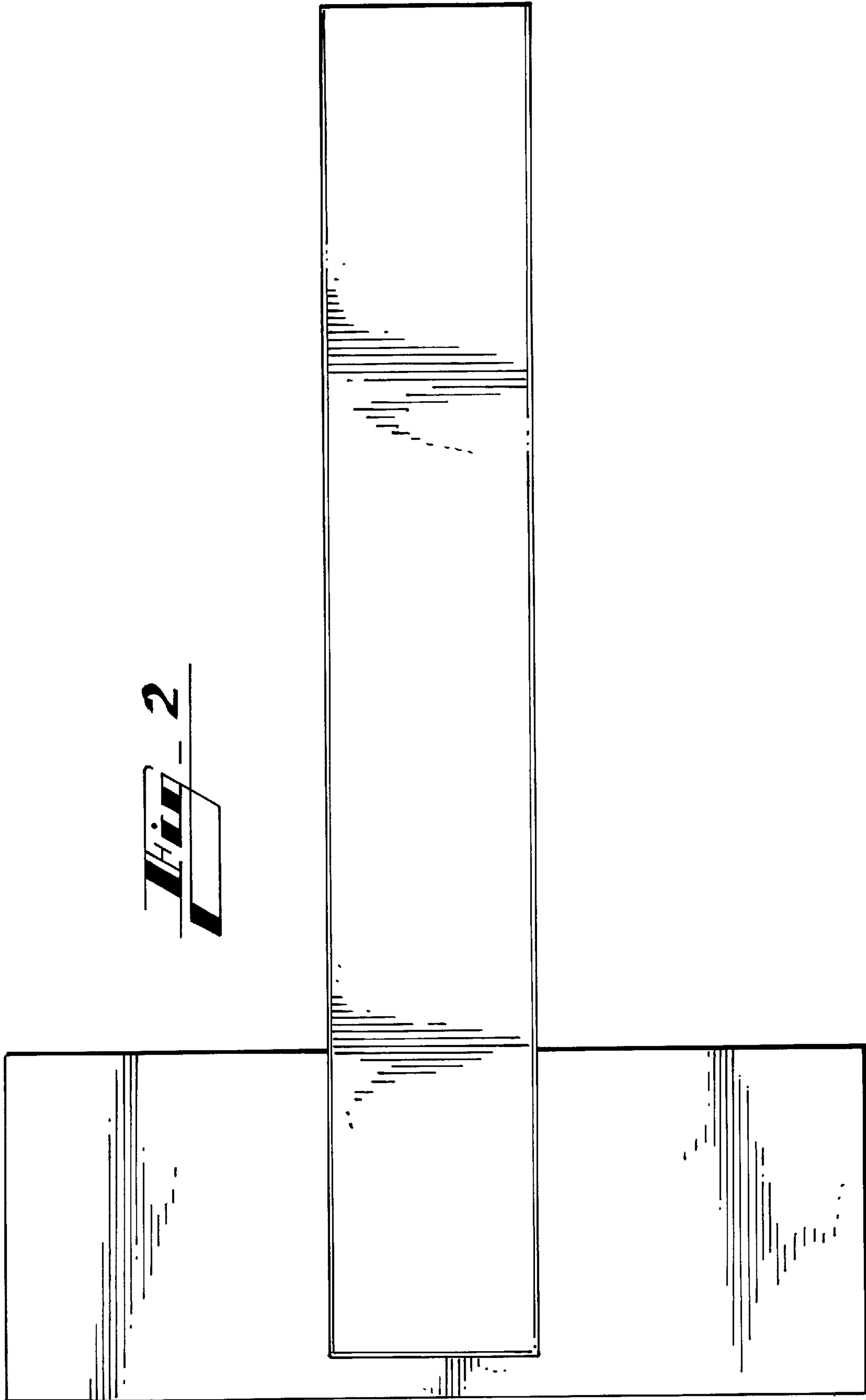
**1 Claim, 4 Drawing Sheets**

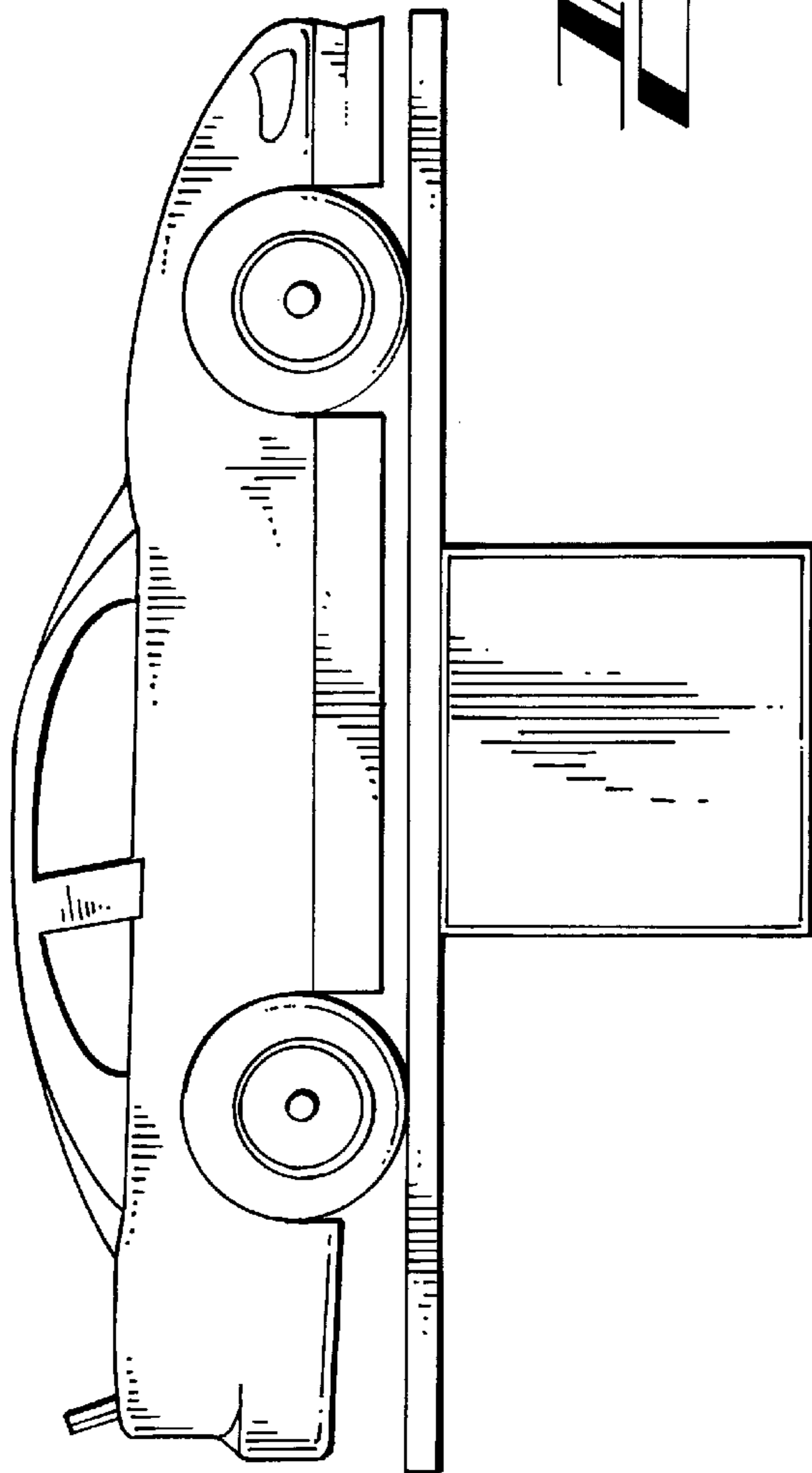




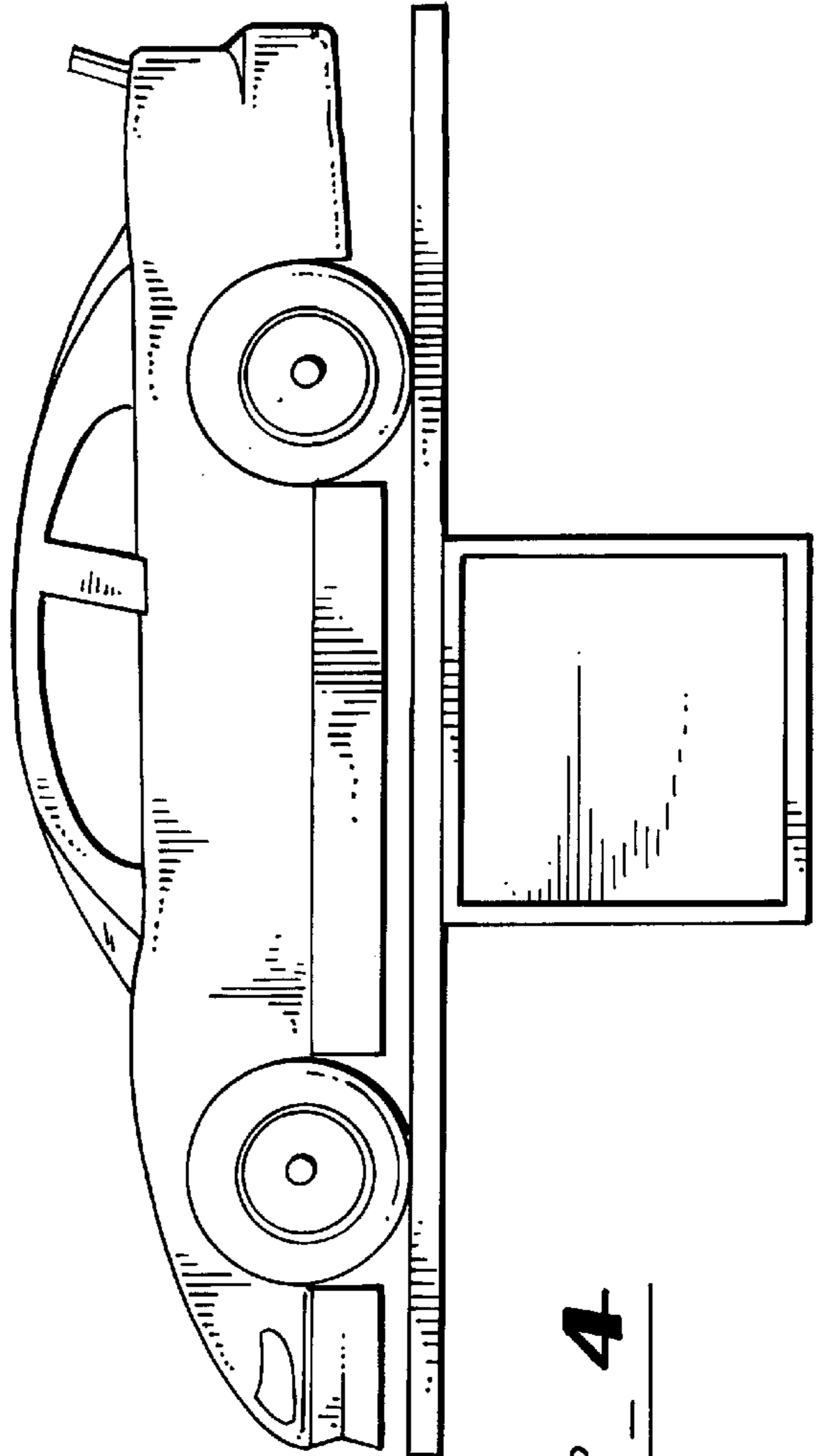
**FIG. 1**

**FIG. 2**





**Fig. 3**



**Fig. 4**

