



US00D456319S

(12) **United States Design Patent**
Yeh

(10) **Patent No.:** **US D456,319 S**

(45) **Date of Patent:** **** Apr. 30, 2002**

(54) **STROLLER FRAME**

D426,176 S * 6/2000 Sutherland et al. D12/129

(75) Inventor: **Po-Hsiung Yeh, Tainan (TW)**

* cited by examiner

(73) Assignee: **Link Treasure Limited, Tortola (VG)**

Primary Examiner—Marcus A. Jackson

(**) Term: **14 Years**

(57) **CLAIM**

(21) Appl. No.: **29/146,265**

The ornamental design for a stroller frame, as shown and described.

(22) Filed: **Aug. 8, 2001**

DESCRIPTION

(51) **LOC (7) Cl.** **12-12**

(52) **U.S. Cl.** **D12/129**

(58) **Field of Search** D12/128-133;
280/42, 62, 641, 642, 650, 657, 658

FIG. 1 is a perspective view of a stroller frame, showing our new design;

FIG. 2 is right side elevational view thereof;

FIG. 3 is top a view thereof;

FIG. 4 is a front view thereof;

FIG. 5 is a bottom view thereof;

FIG. 6 is a left side elevational view thereof; and,

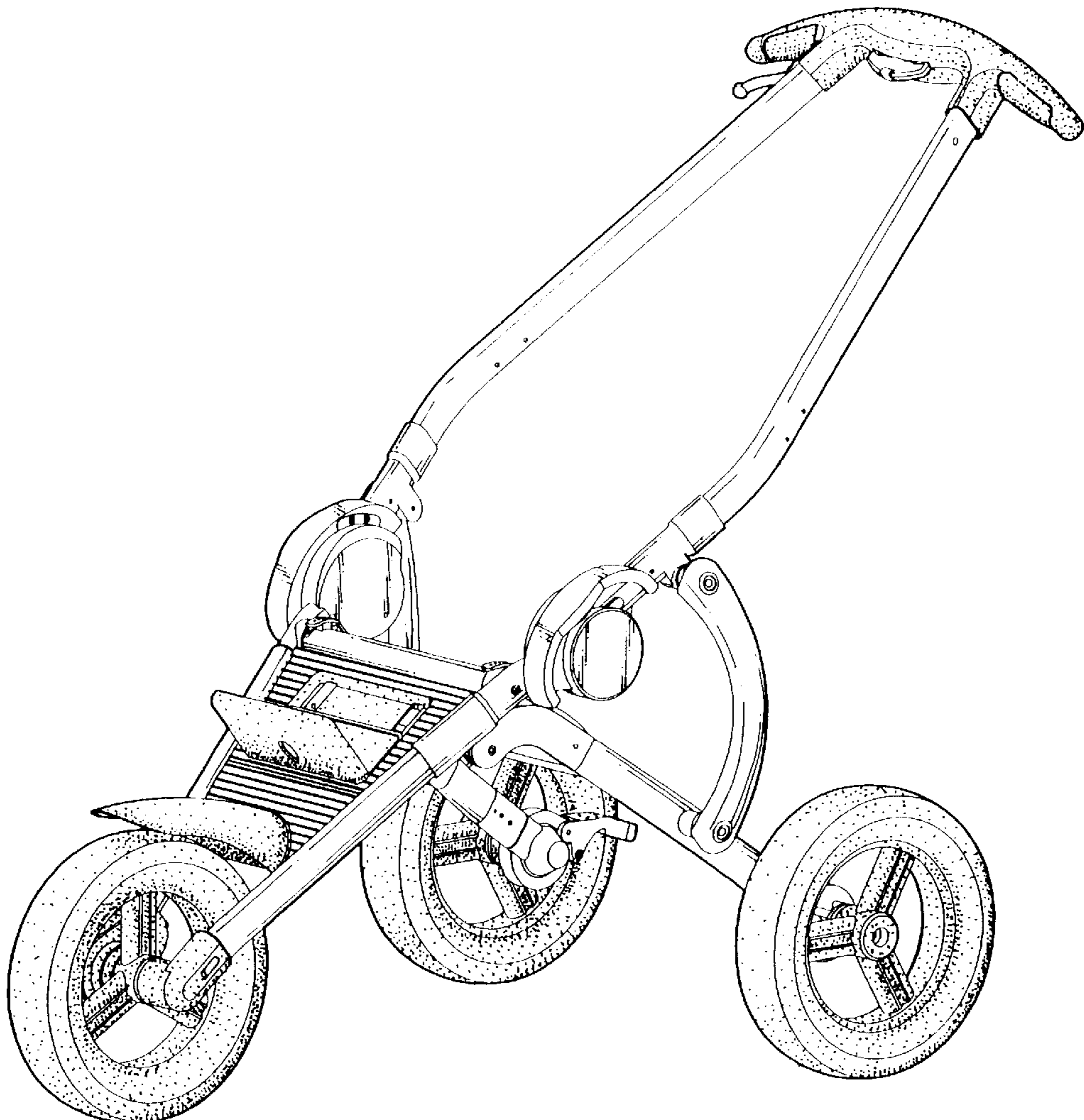
FIG. 7 is a rear view thereof.

(56) **References Cited**

U.S. PATENT DOCUMENTS

- D350,923 S * 9/1994 Schmidlin et al. D12/129
- D362,419 S * 9/1995 Chih D12/129
- D363,903 S * 11/1995 Chiu D12/129

1 Claim, 7 Drawing Sheets



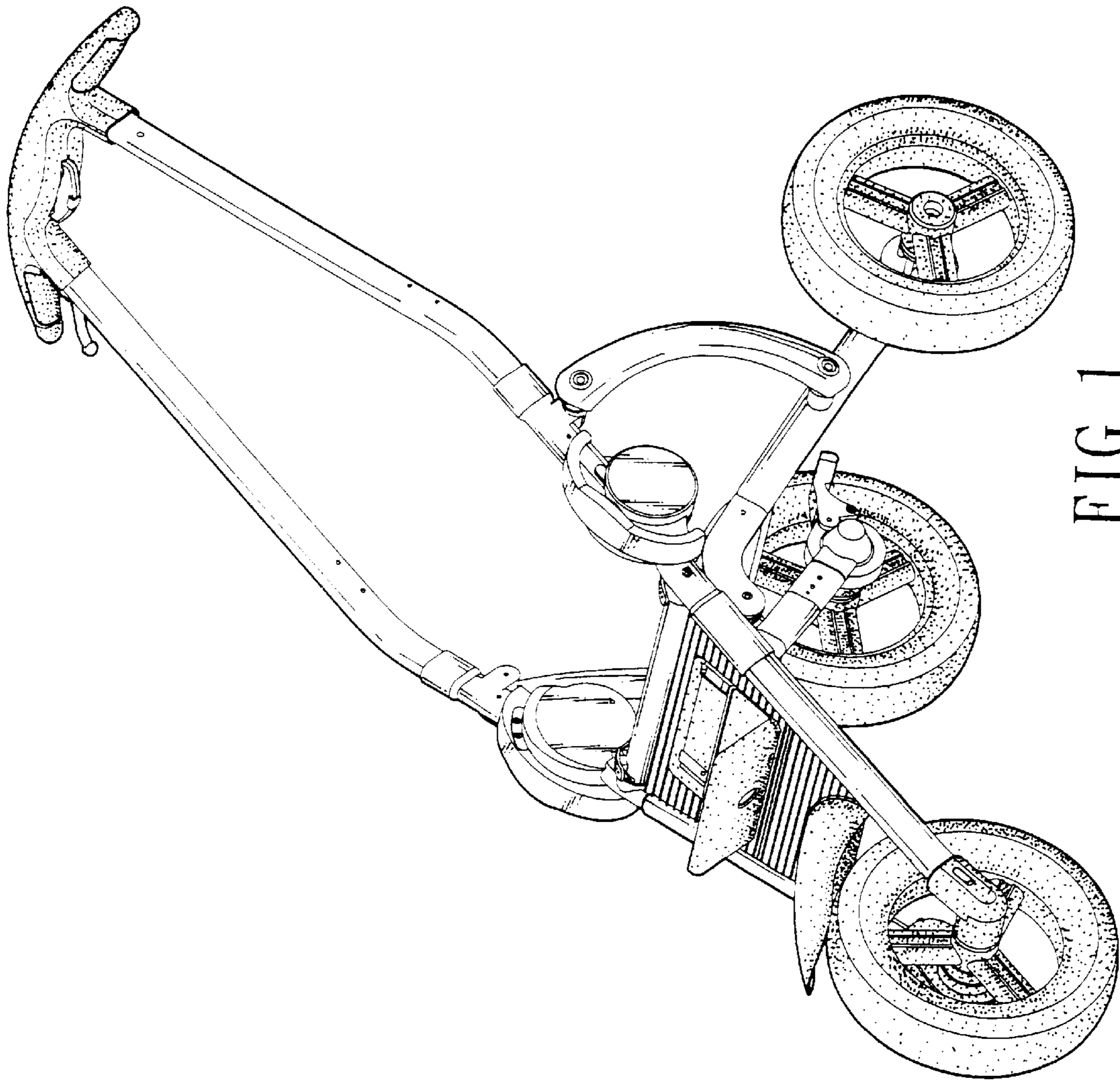


FIG. 1

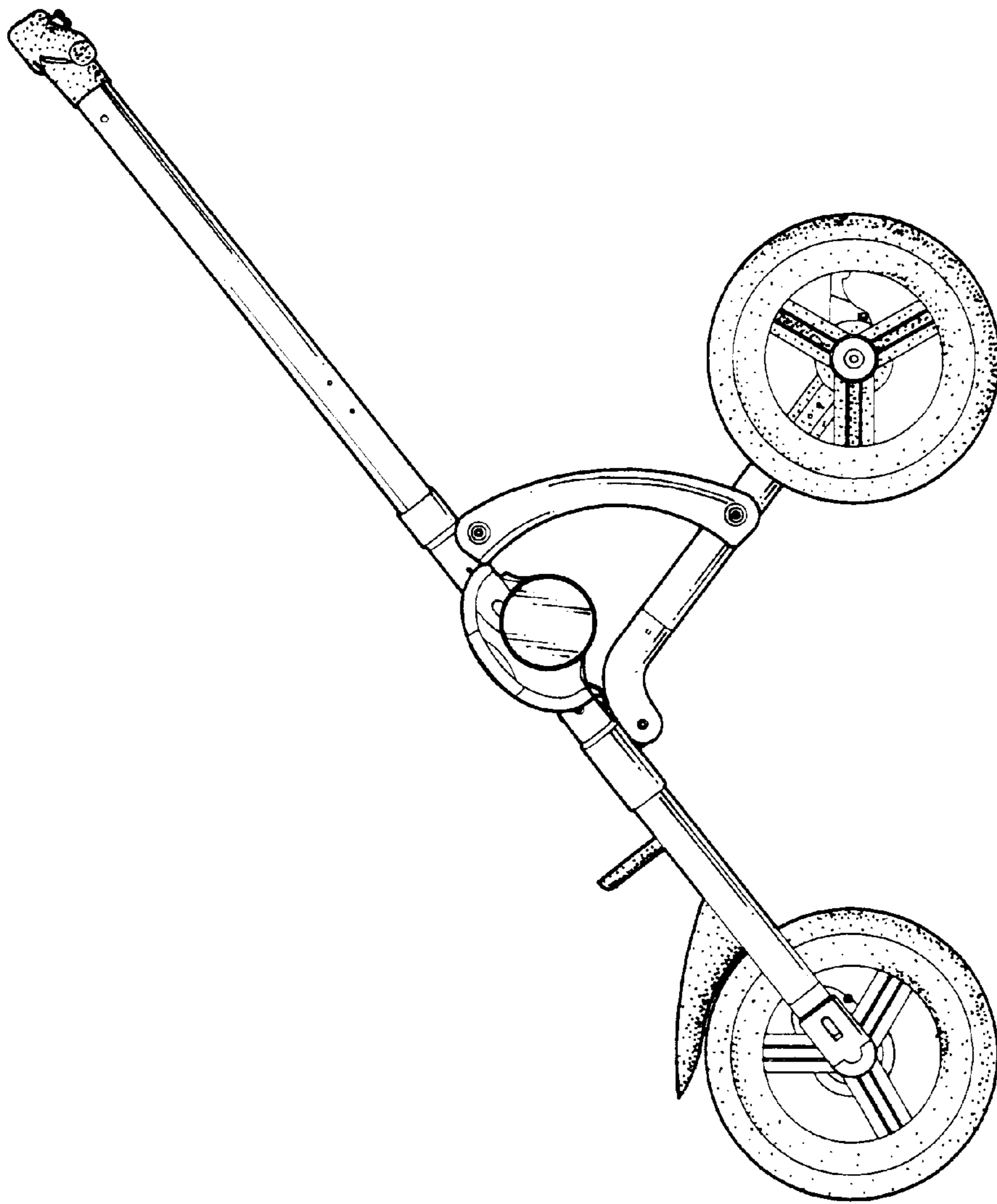


FIG. 2

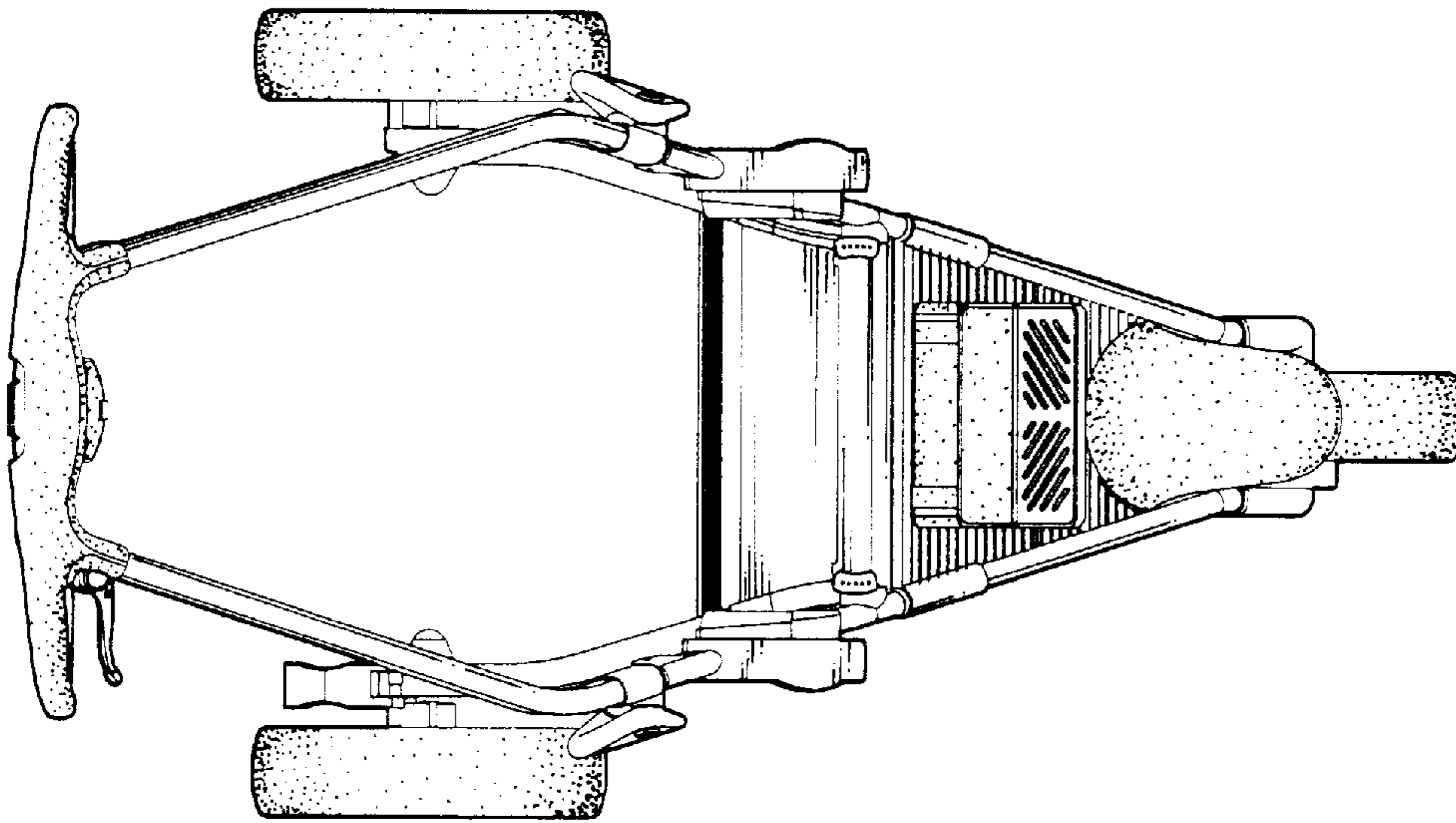


FIG. 3

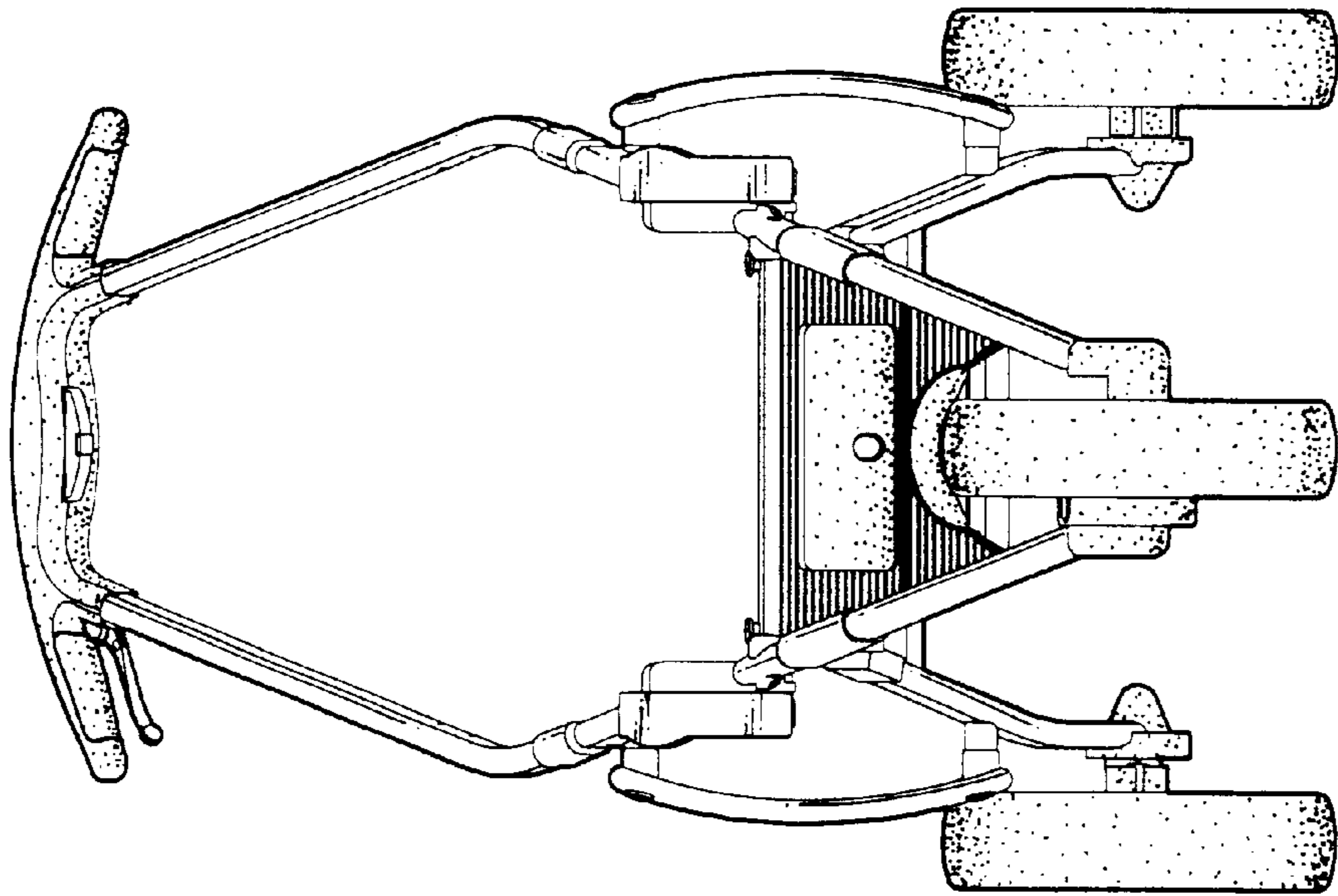


FIG. 4

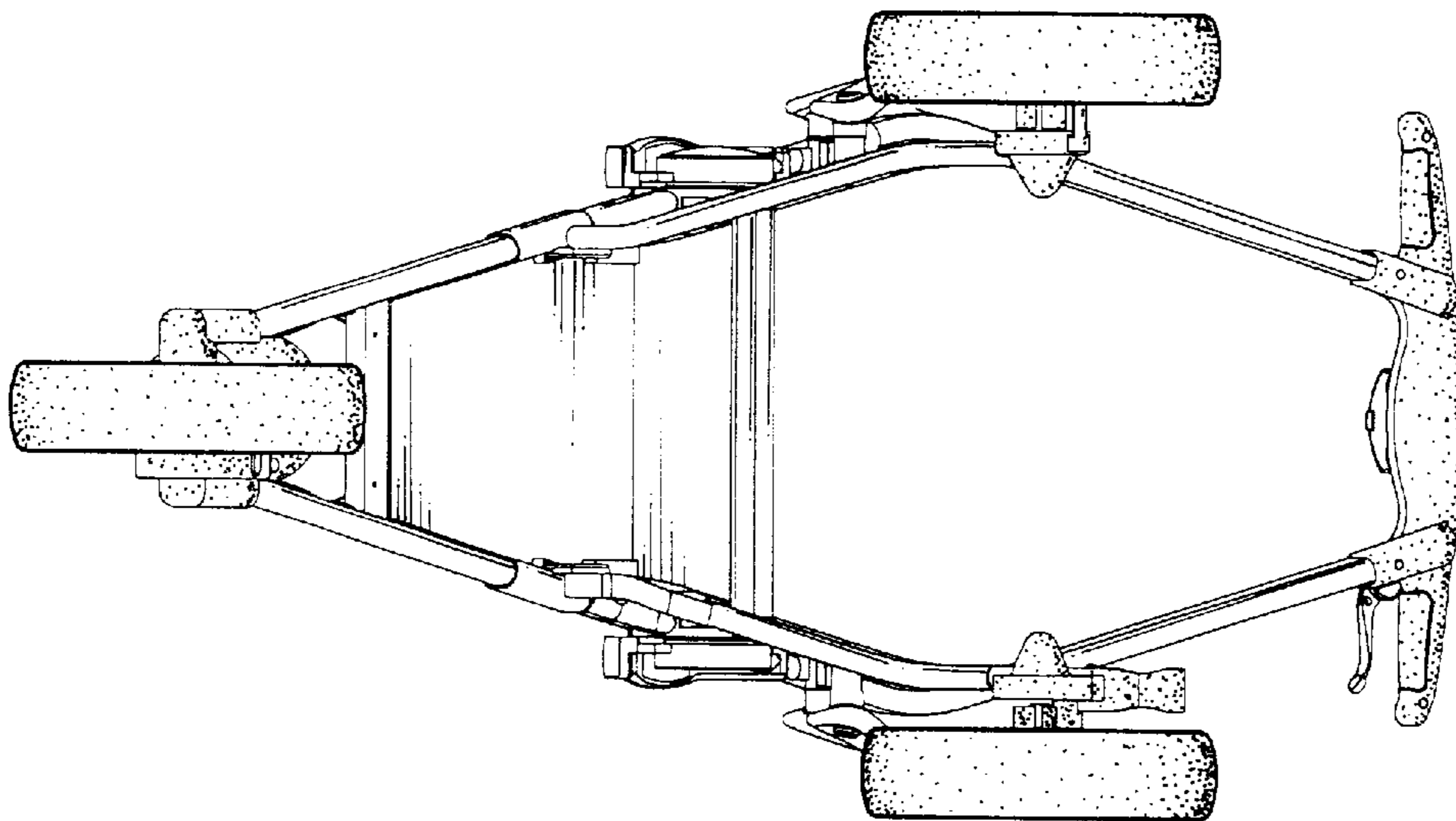


FIG. 5

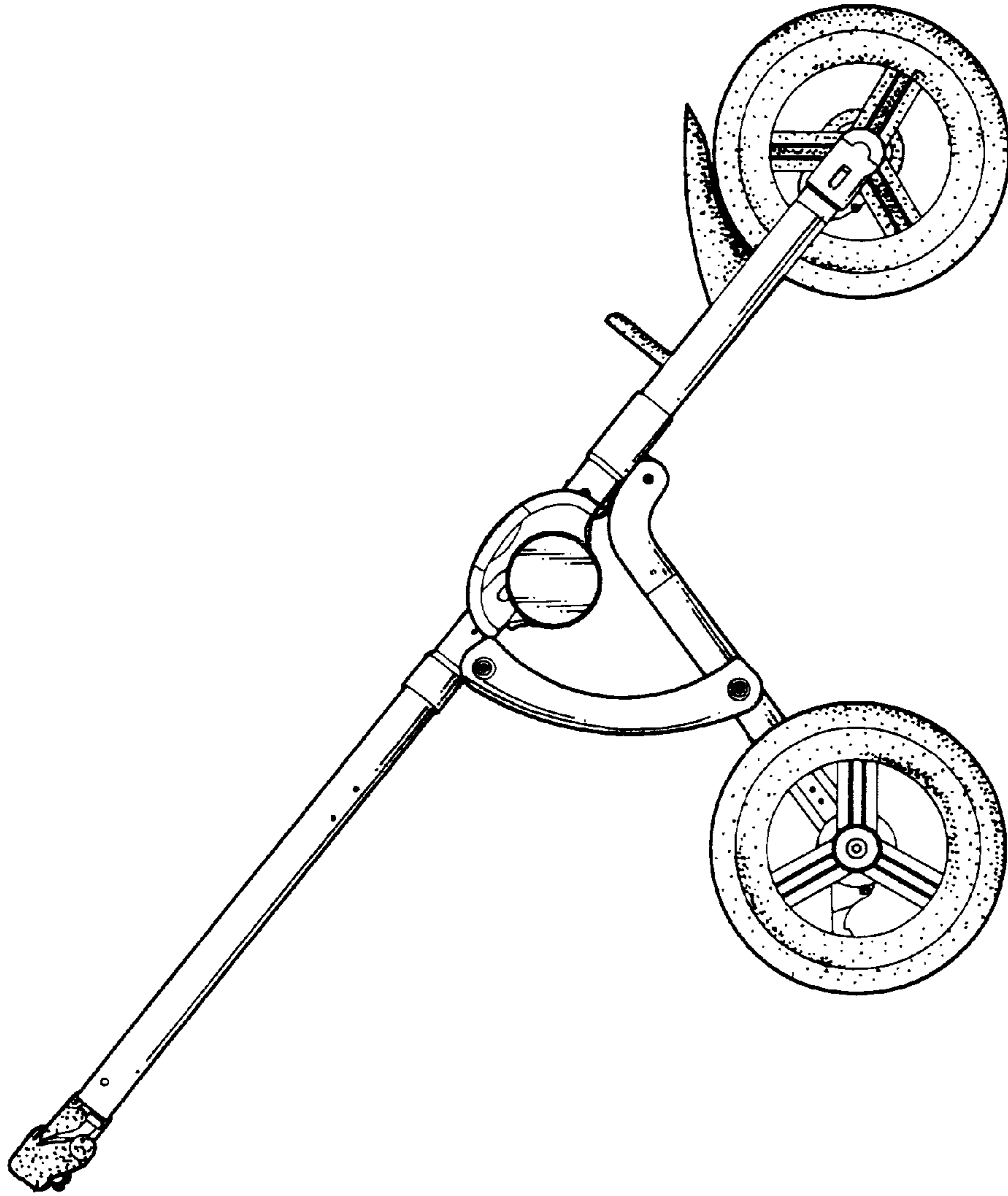


FIG. 6

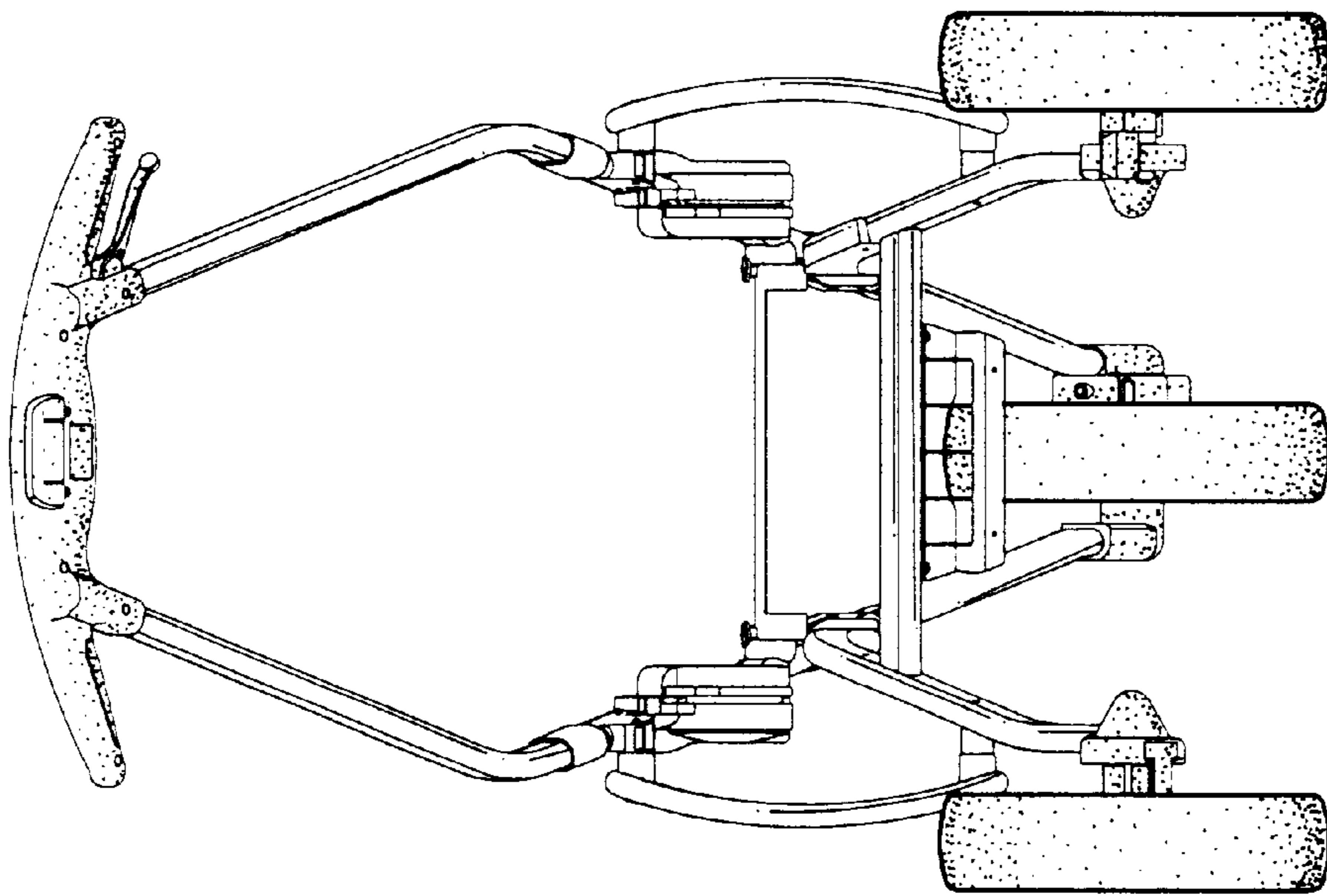


FIG. 7