



US00D456318S

(12) **United States Design Patent**
Yeh

(10) **Patent No.:** **US D456,318 S**

(45) **Date of Patent:** **** Apr. 30, 2002**

(54) **FRAME OF STROLLER**

(75) Inventor: **Po-Hsiung Yeh**, Tainan (TW)

(73) Assignee: **Link Treasure Limited**, Tortola (VG)

(**) Term: **14 Years**

(21) Appl. No.: **29/146,264**

(22) Filed: **Aug. 8, 2001**

(51) **LOC (7) Cl.** **12-12**

(52) **U.S. Cl.** **D12/129**

(58) **Field of Search** **D12/128-133;**
280/47.4, 644, 650, 658

(56) **References Cited**

U.S. PATENT DOCUMENTS

D438,149 S * 2/2001 Baechler D12/129

D442,895 S * 5/2001 Chiu D12/129

D445,367 S * 7/2001 Black et al. D12/129

* cited by examiner

Primary Examiner—Marcus A. Jackson

(57) **CLAIM**

The ornamental design for a frame of stroller, as shown and described.

DESCRIPTION

FIG. 1 is a perspective view of a frame of stroller, showing our new design;
FIG. 2 is right side elevational view thereof;
FIG. 3 is a top view thereof;
FIG. 4 is front view thereof;
FIG. 5 is a bottom view thereof;
FIG. 6 is a left side elevational view thereof; and,
FIG. 7 is a rear view thereof.

1 Claim, 7 Drawing Sheets

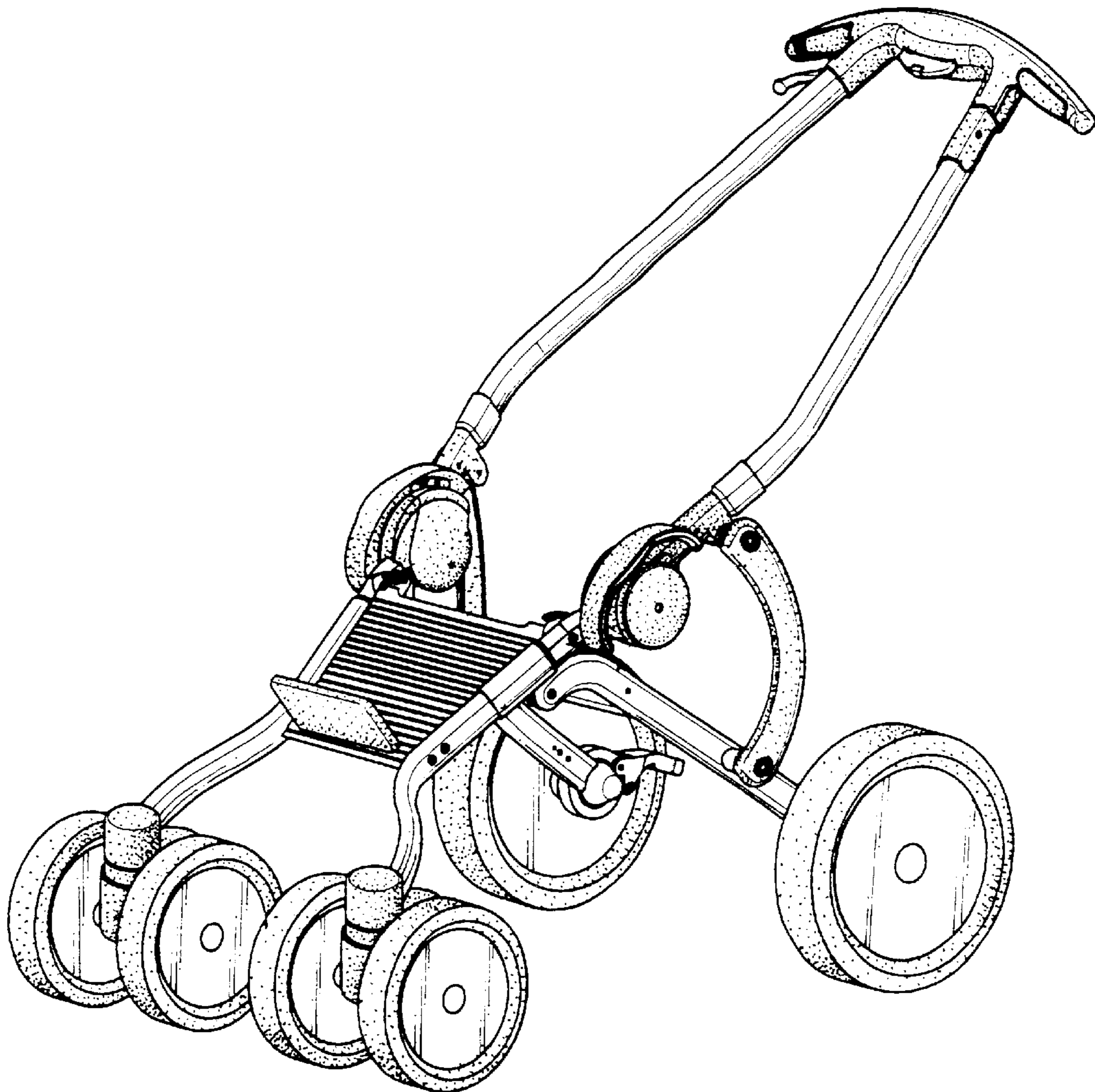




FIG. 1

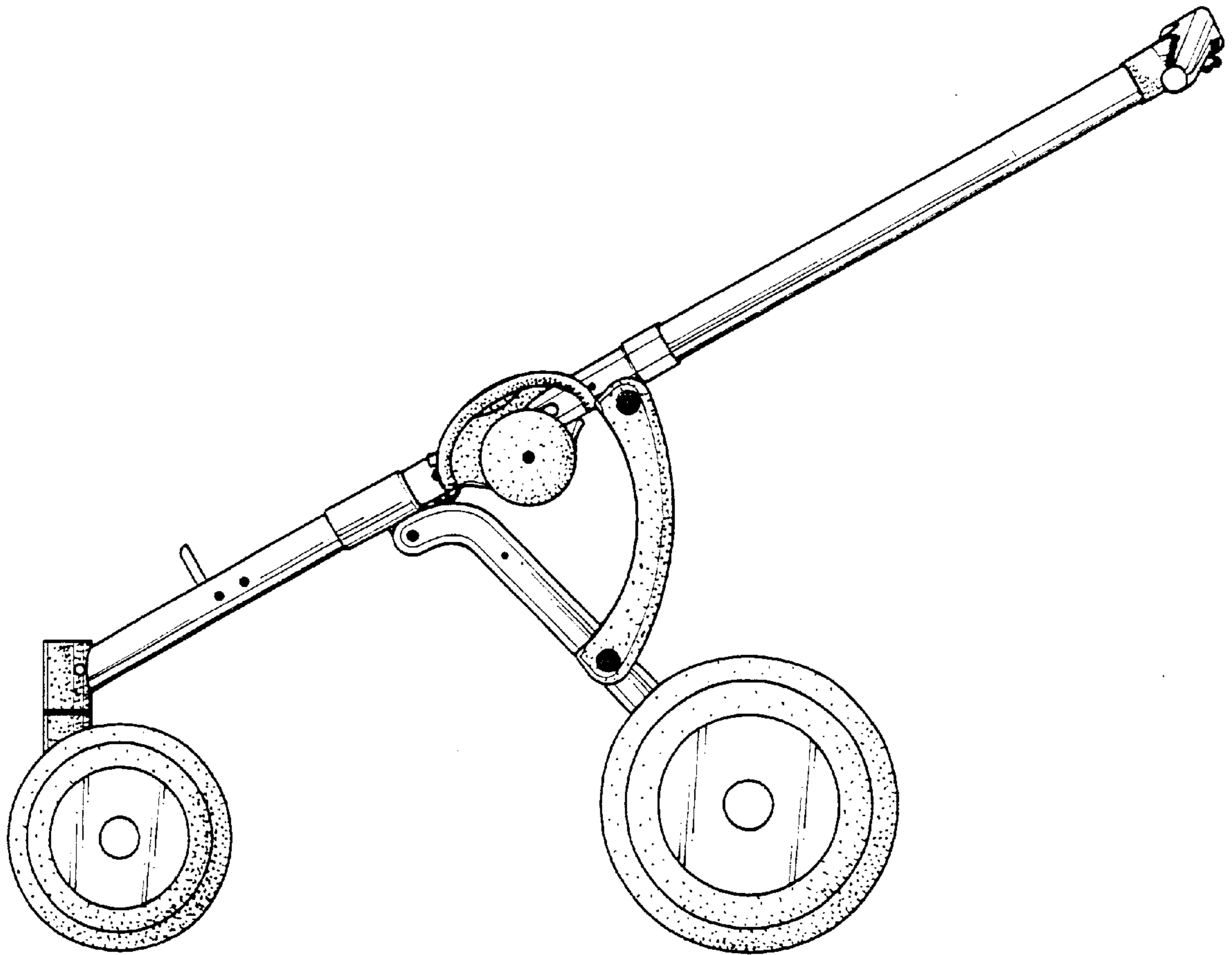


FIG. 2

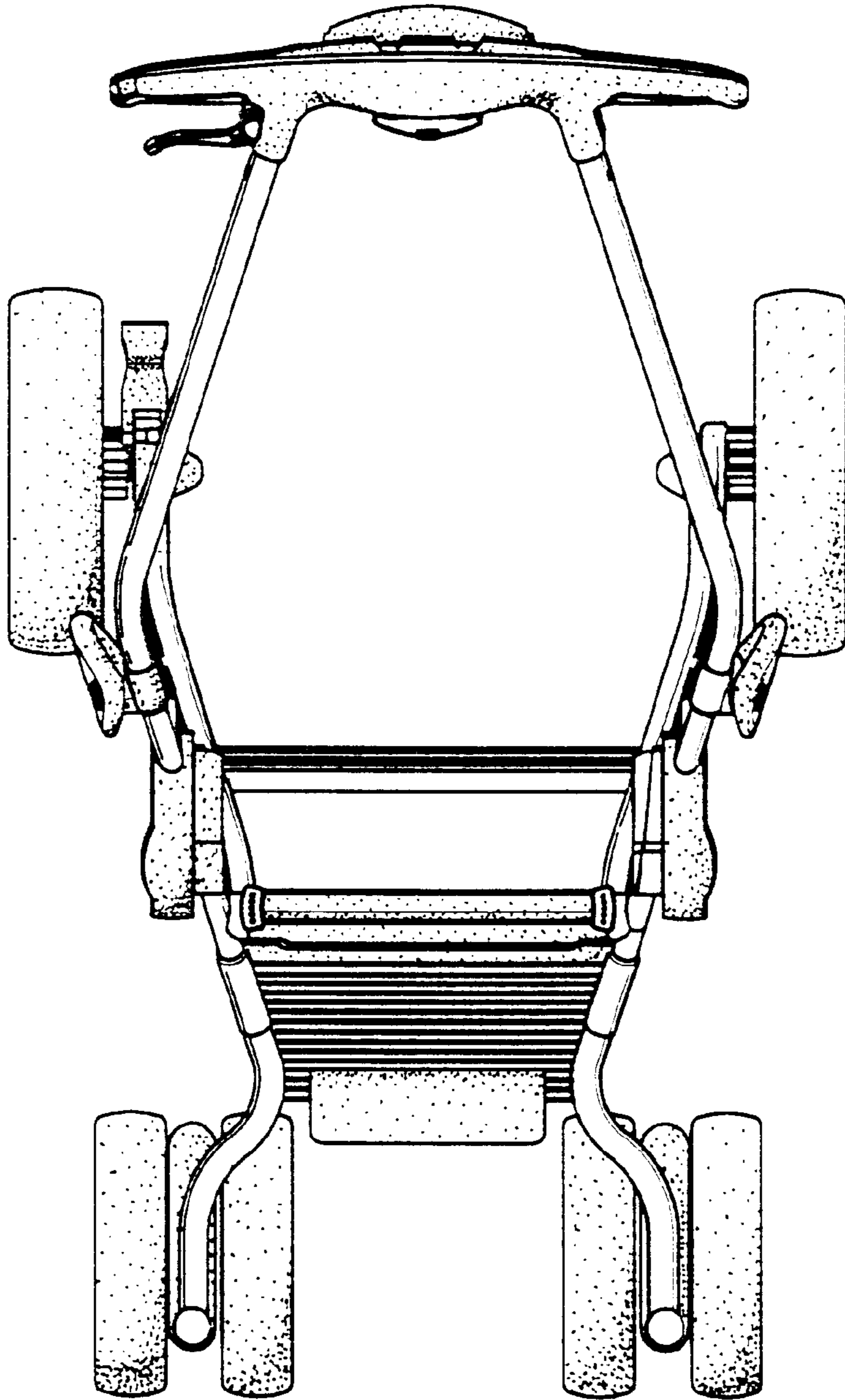


FIG. 3

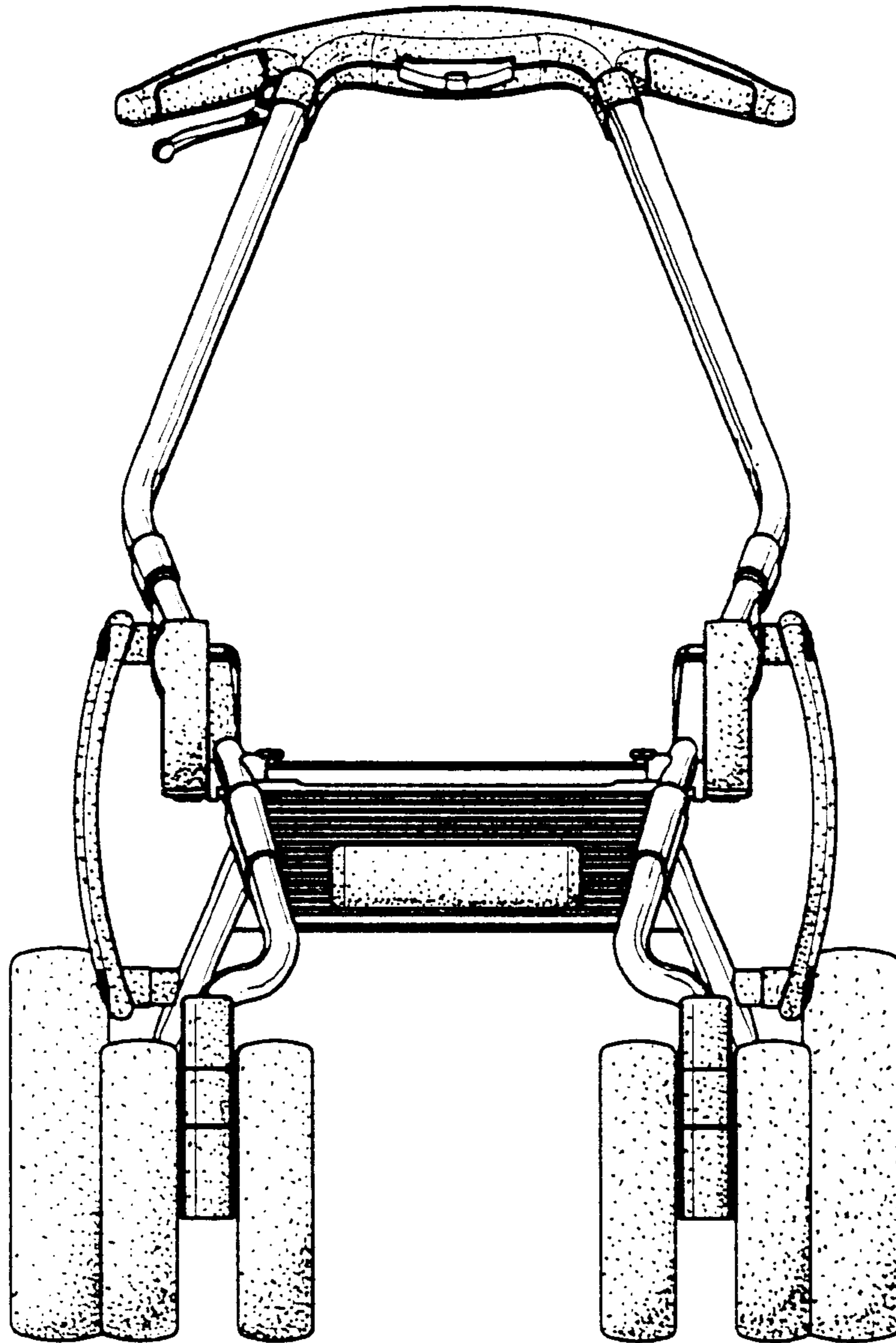


FIG. 4

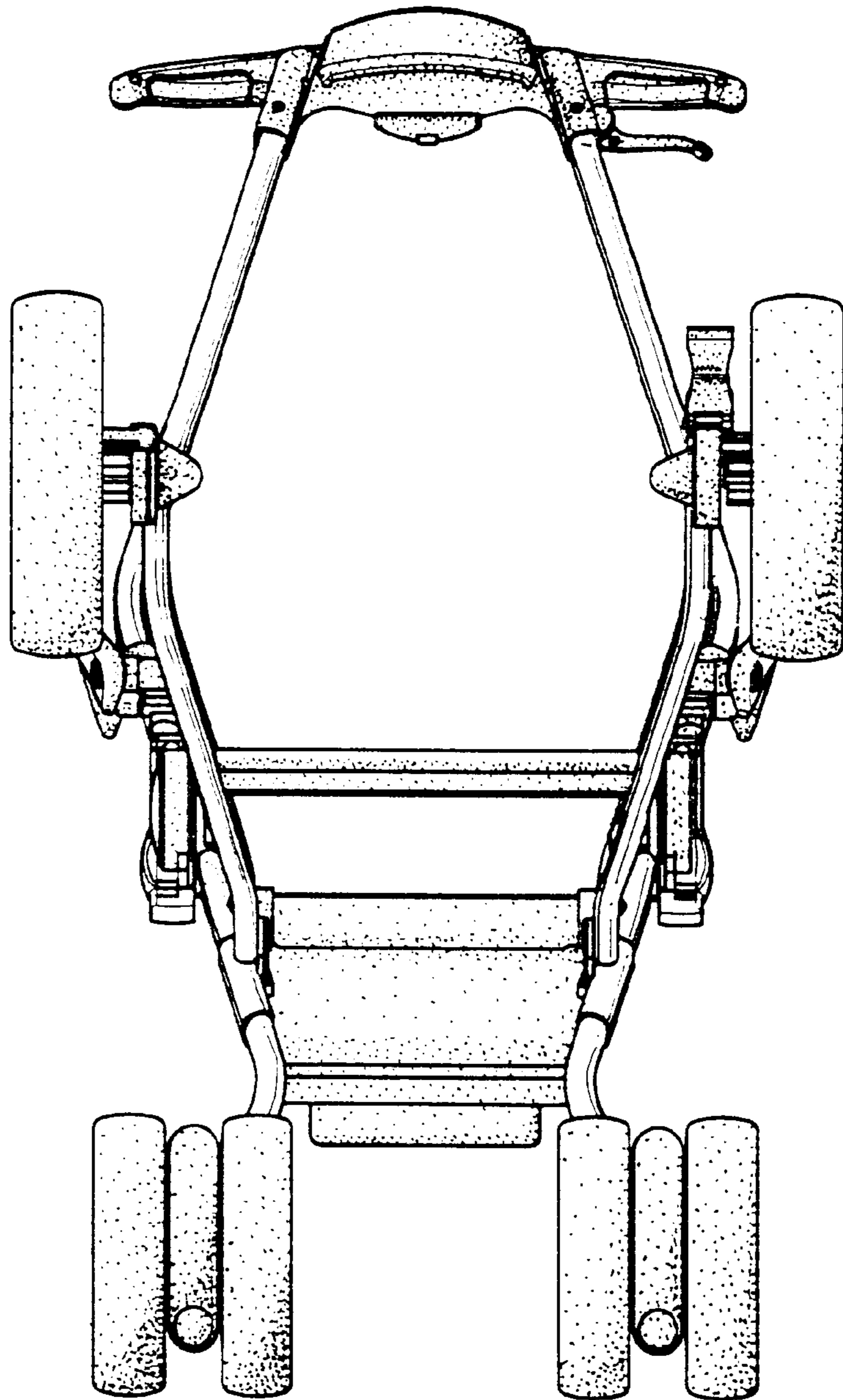


FIG. 5

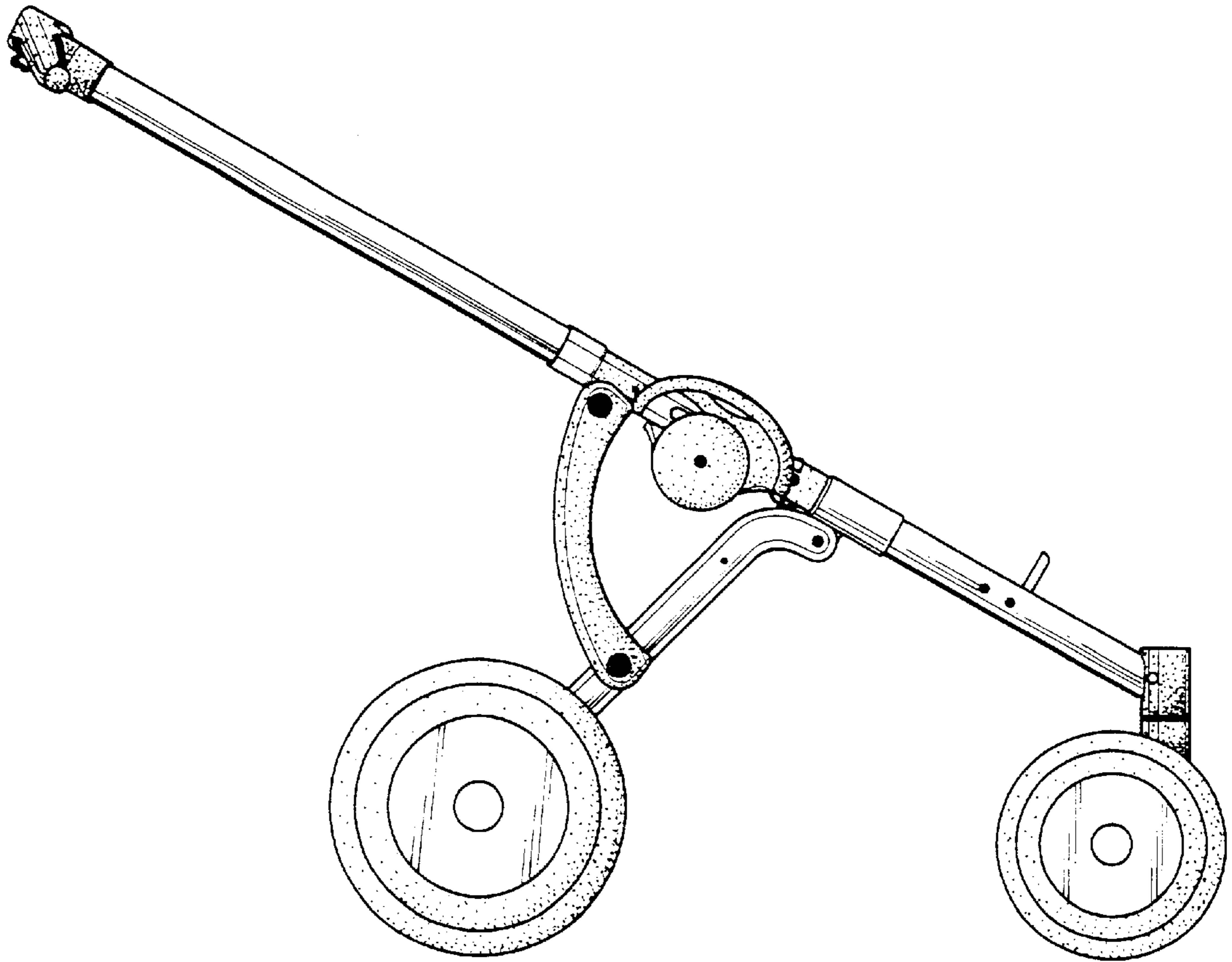


FIG. 6

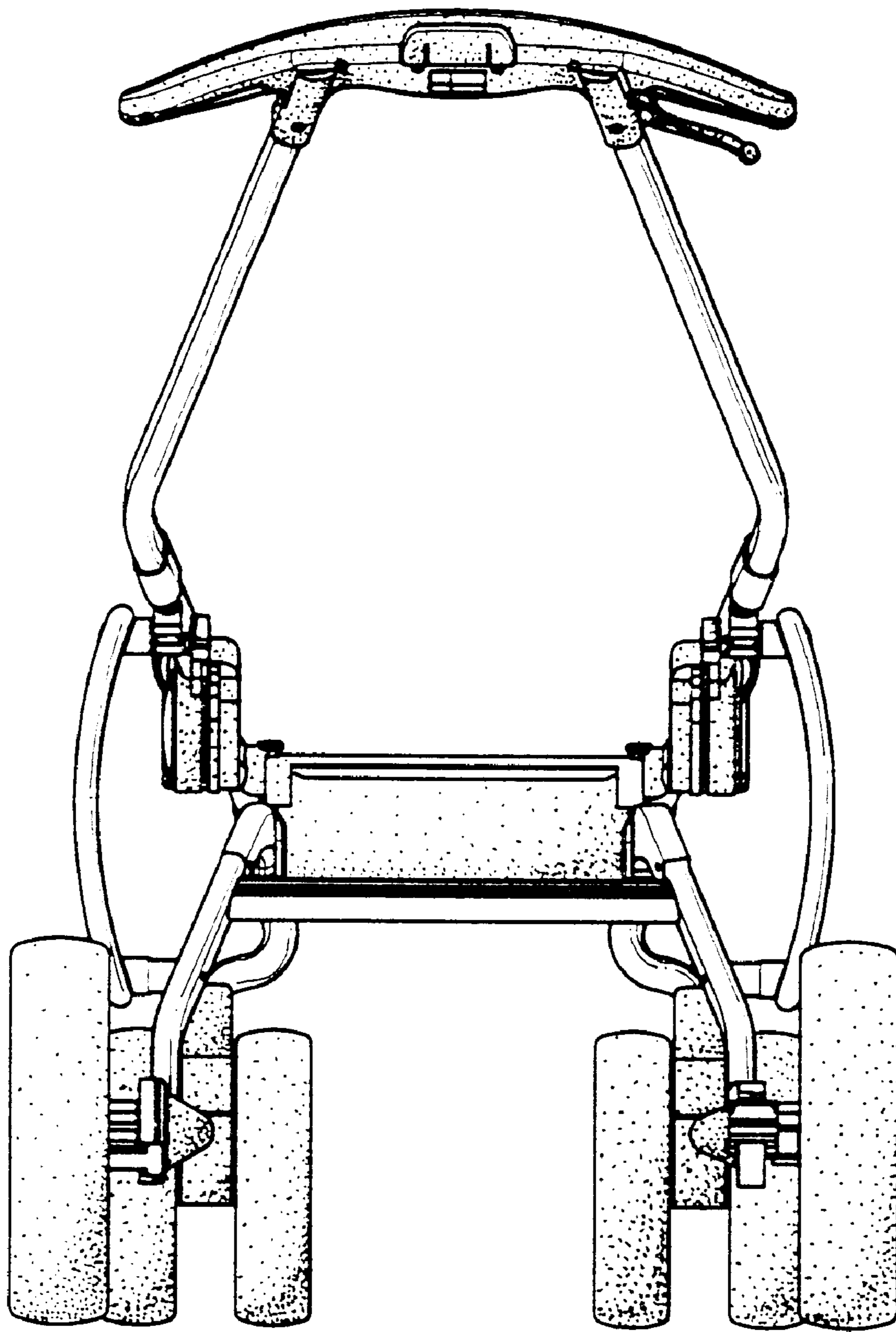


FIG. 7