



US00D456316S

(12) **United States Design Patent**
Will

(10) **Patent No.:** **US D456,316 S**

(45) **Date of Patent:** **** Apr. 30, 2002**

(54) **BICYCLE STAND**

6,062,396 A * 5/2000 Eason 211/20

(76) **Inventor:** **Leon Frederick Will**, 3 Dixon Street,
Clarence Park SA 5034 (AU)

* cited by examiner

(**) **Term:** **14 Years**

Primary Examiner—Alan P. Douglas

Assistant Examiner—Linda Brooks

(21) **Appl. No.:** **29/136,152**

(74) *Attorney, Agent, or Firm*—Klauber & Jackson

(22) **Filed:** **Jan. 25, 2001**

(30) **Foreign Application Priority Data**

Jul. 25, 2000 (AU) 2319/00

(51) **LOC (7) Cl.** **12-11**

(52) **U.S. Cl.** **D12/115**

(58) **Field of Search** D12/115, 408,
D12/120; 248/152, 154, 150, 176.1; 211/17-22

(56) **References Cited**

U.S. PATENT DOCUMENTS

D252,201 S * 6/1979 Severloh D12/115

(57) **CLAIM**

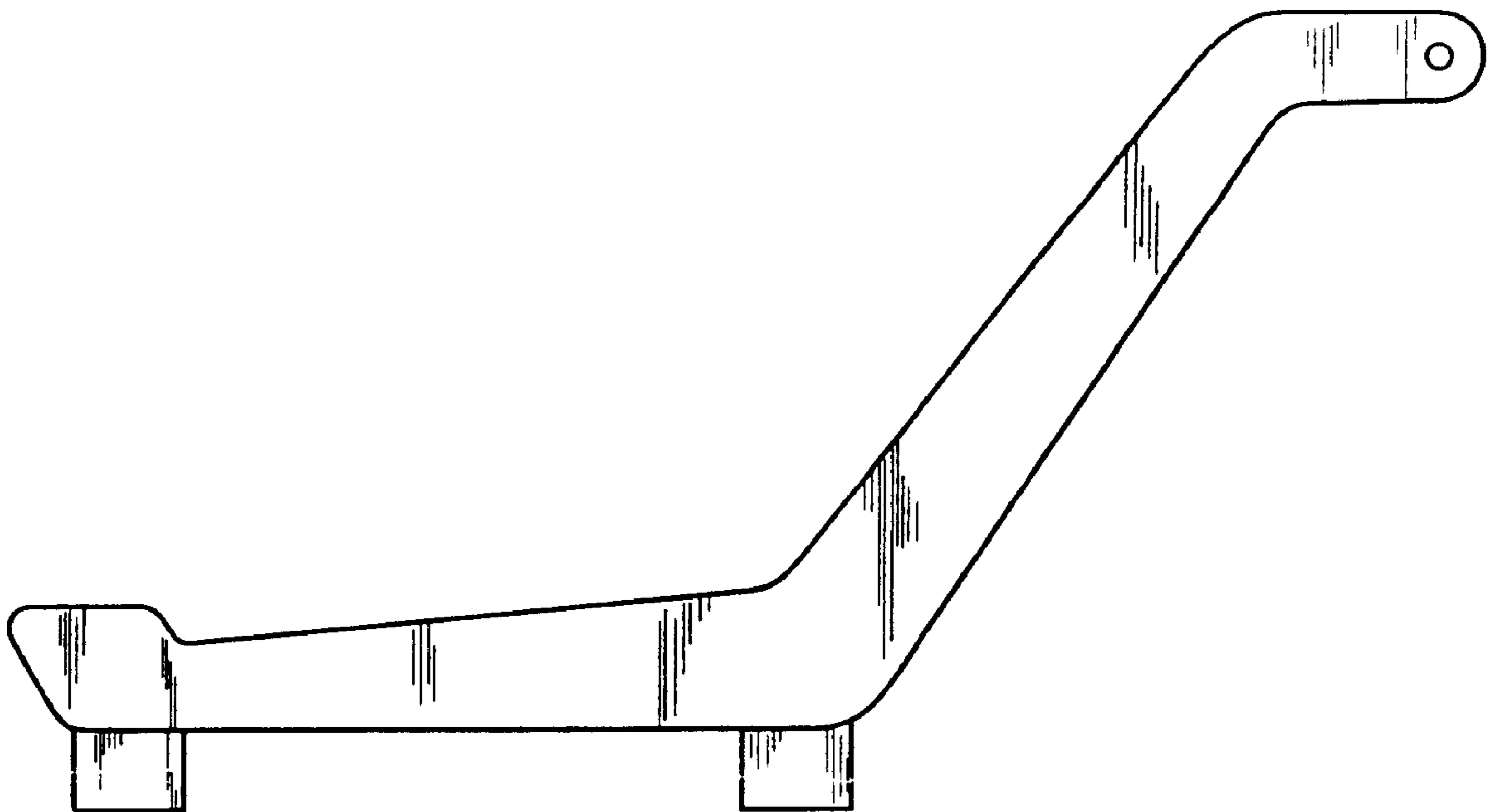
The ornamental design for a bicycle stand, as shown.

DESCRIPTION

FIG. 1 is a perspective view, showing the bicycle stand of my new design; and,

FIG. 2 is a side view of the bicycle stand shown in FIG. 1.

1 Claim, 1 Drawing Sheet



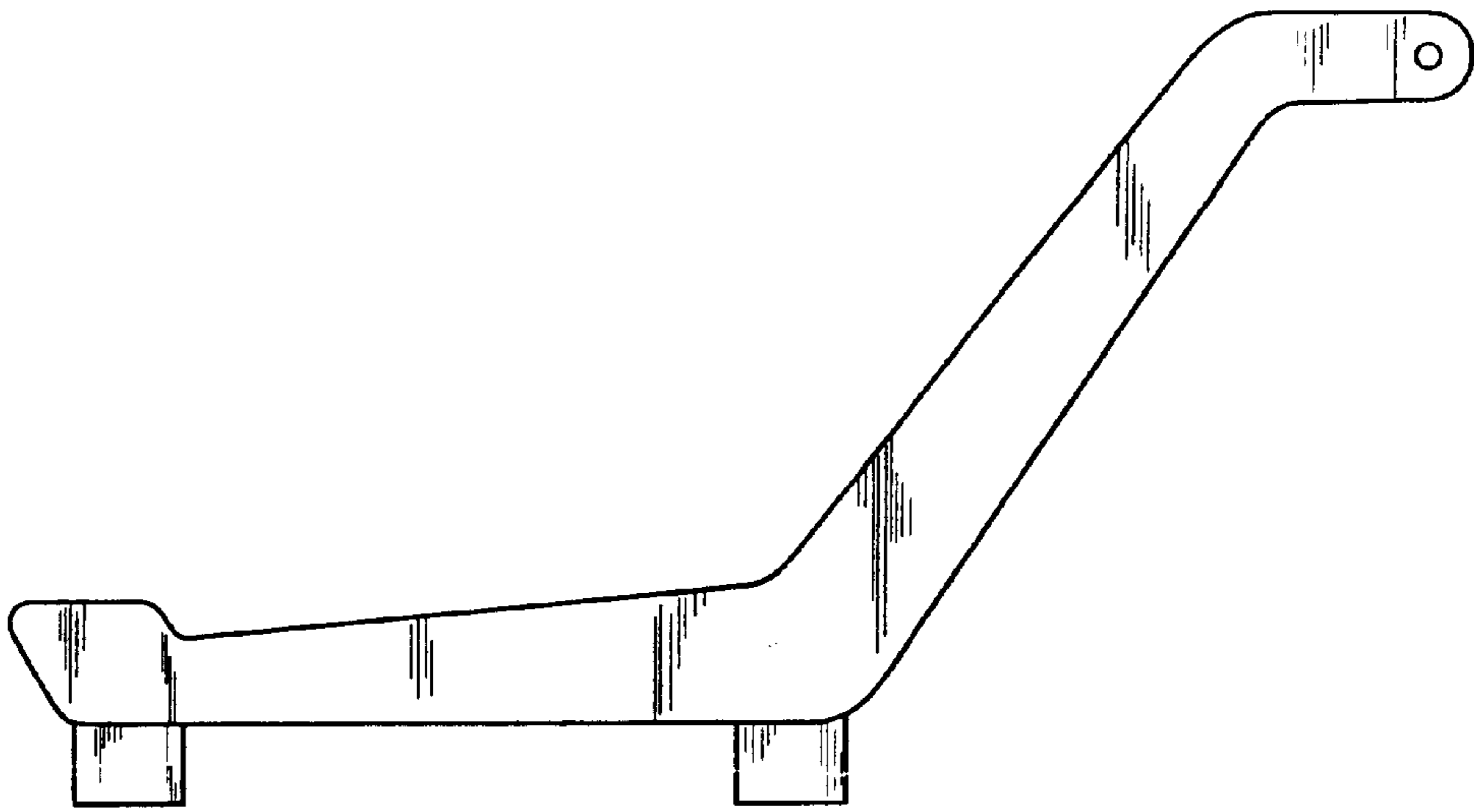


Fig 1

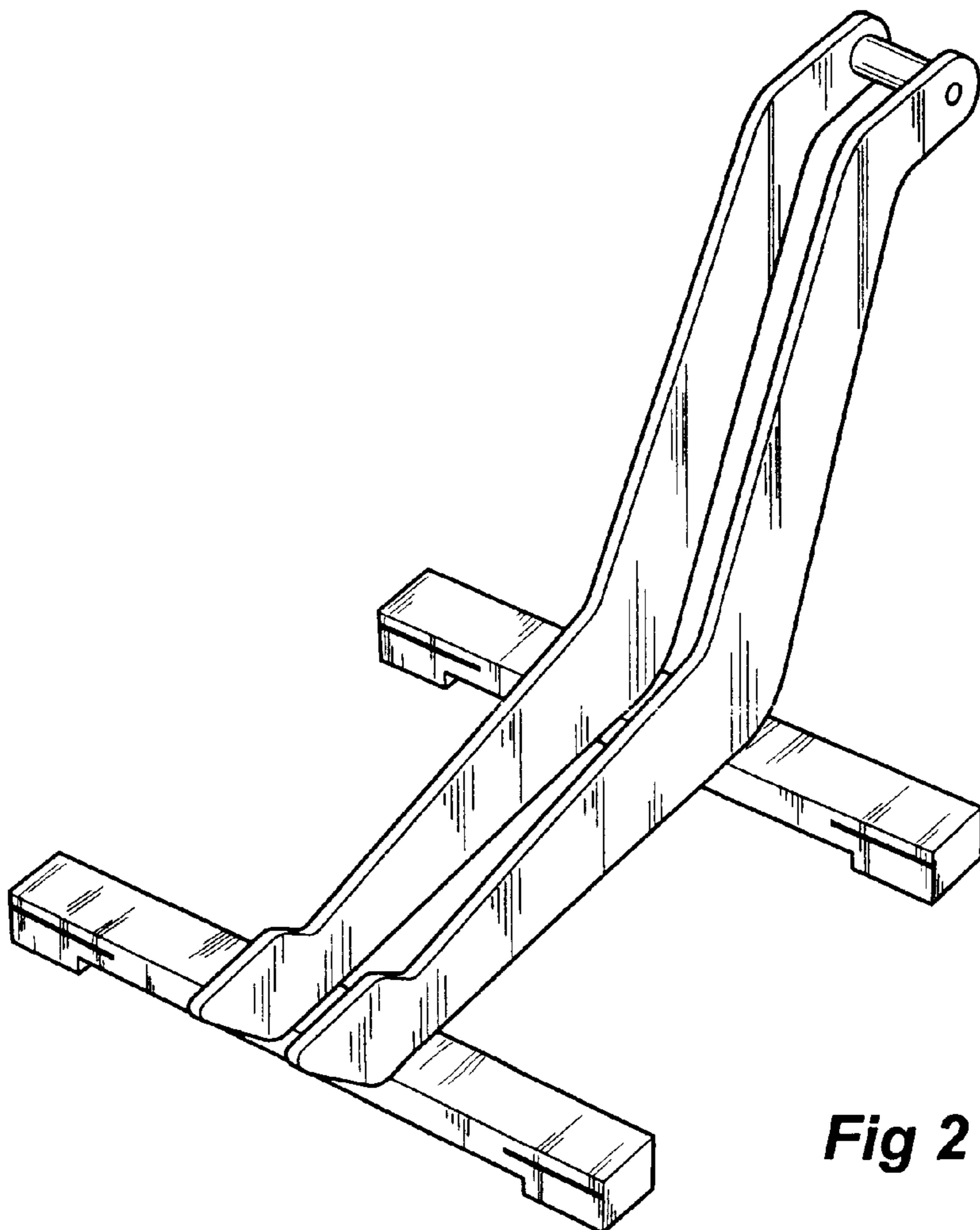


Fig 2