



US00D456312S

(12) **United States Design Patent**
Leutz

(10) **Patent No.:** **US D456,312 S**

(45) **Date of Patent:** **** Apr. 30, 2002**

(54) **SURFACE CONFIGURATION OF A VEHICLE, TOY, AND MISCELLANEOUS CONSUMER PRODUCTS INCORPORATING THE DESIGN**

(75) Inventor: **Volker Leutz**, Grafenau (DE)

(73) Assignee: **Micro Compact Car smart GmbH**,
Renningen (DE)

(**) Term: **14 Years**

(21) Appl. No.: **29/147,102**

(22) Filed: **Aug. 23, 2001**

(30) **Foreign Application Priority Data**

Feb. 26, 2001 (DE) 4 01 01 958

(51) **LOC (7) Cl.** **12-08**

(52) **U.S. Cl.** **D12/86**

(58) **Field of Search** D12/86, 87, 90-92;
296/185

(56) **References Cited**

U.S. PATENT DOCUMENTS

D371,526 S	*	7/1996	Verduyn	D12/86
D437,256 S	*	2/2001	Parent	D12/86
D439,205 S	*	3/2001	Leutz	D12/92
D442,119 S	*	5/2001	Murata et al.	D12/86
D451,432 S	*	12/2001	Leutz	D12/92
D452,188 S	*	12/2001	Hettick et al.	D12/86

* cited by examiner

Primary Examiner—Melody N. Brown

(74) *Attorney, Agent, or Firm*—Crowell & Moring LLP

(57) **CLAIM**

The ornamental design for a surface configuration of a vehicle, toy, and miscellaneous consumer products incorporating the design, as shown and described.

DESCRIPTION

FIG. 1 is a right, front perspective view of a surface configuration of a vehicle, toy, and miscellaneous consumer products incorporating the design according to my novel design, the left, front perspective view being mirror symmetrical;

FIG. 2 is a front view of the surface configuration of a vehicle, toy, and miscellaneous consumer products incorporating the design according to my novel design;

FIG. 3 is a left side view of the surface configuration of a vehicle, toy, and miscellaneous consumer products incorporating the design according to my novel design;

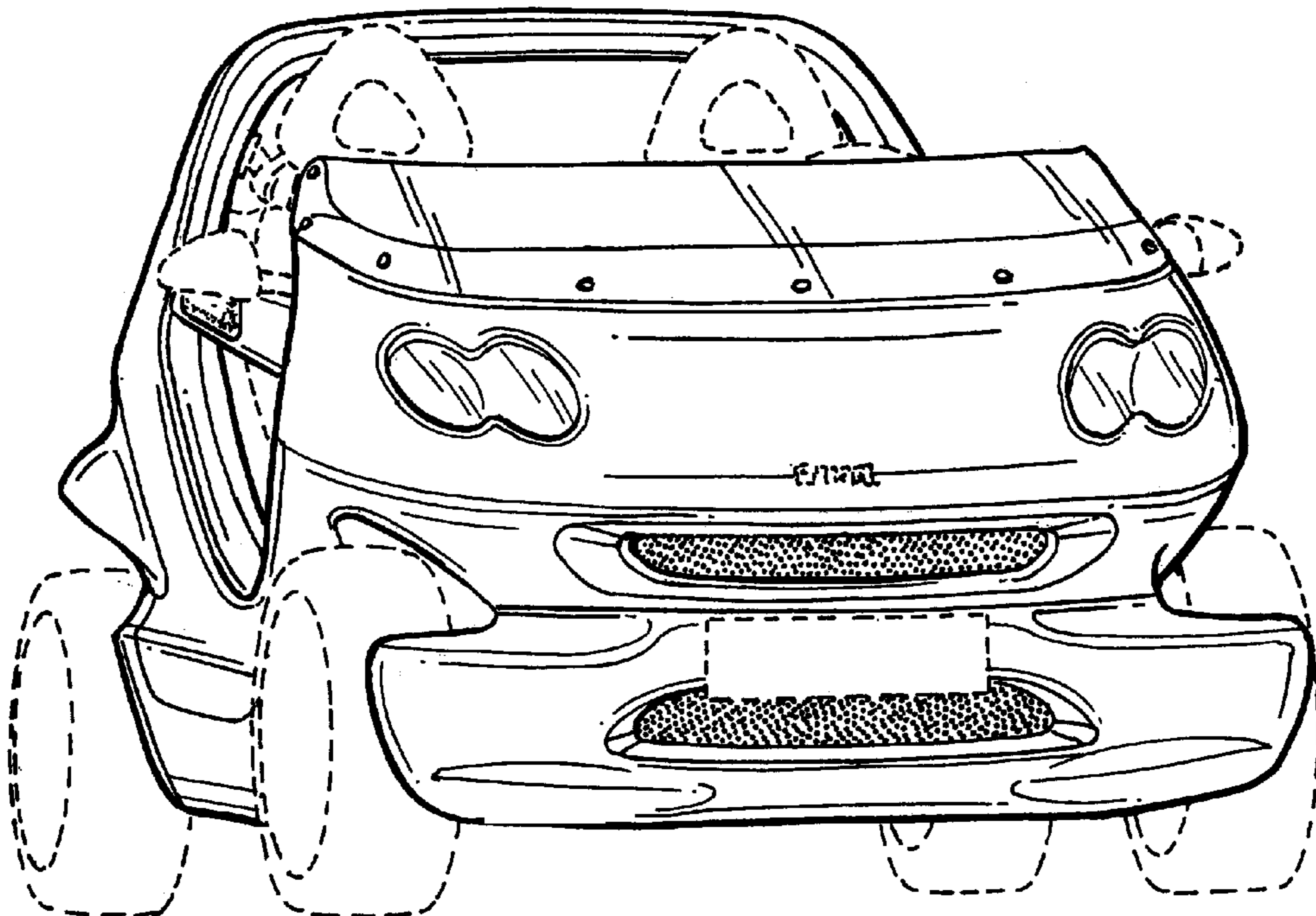
FIG. 4 is a right side view of the surface configuration of a vehicle, toy, and miscellaneous consumer products incorporating the design according to my novel design;

FIG. 5 is a left, rear perspective view of a surface configuration of a vehicle, toy, and miscellaneous consumer products incorporating the design according to my novel design, the right, rear perspective view being mirror symmetrical; and,

FIG. 6 is a rear view of the surface configuration of a vehicle, toy, and miscellaneous consumer products incorporating the design according to my novel design.

The broken lines included depict environment and are not part of the claimed design.

1 Claim, 3 Drawing Sheets



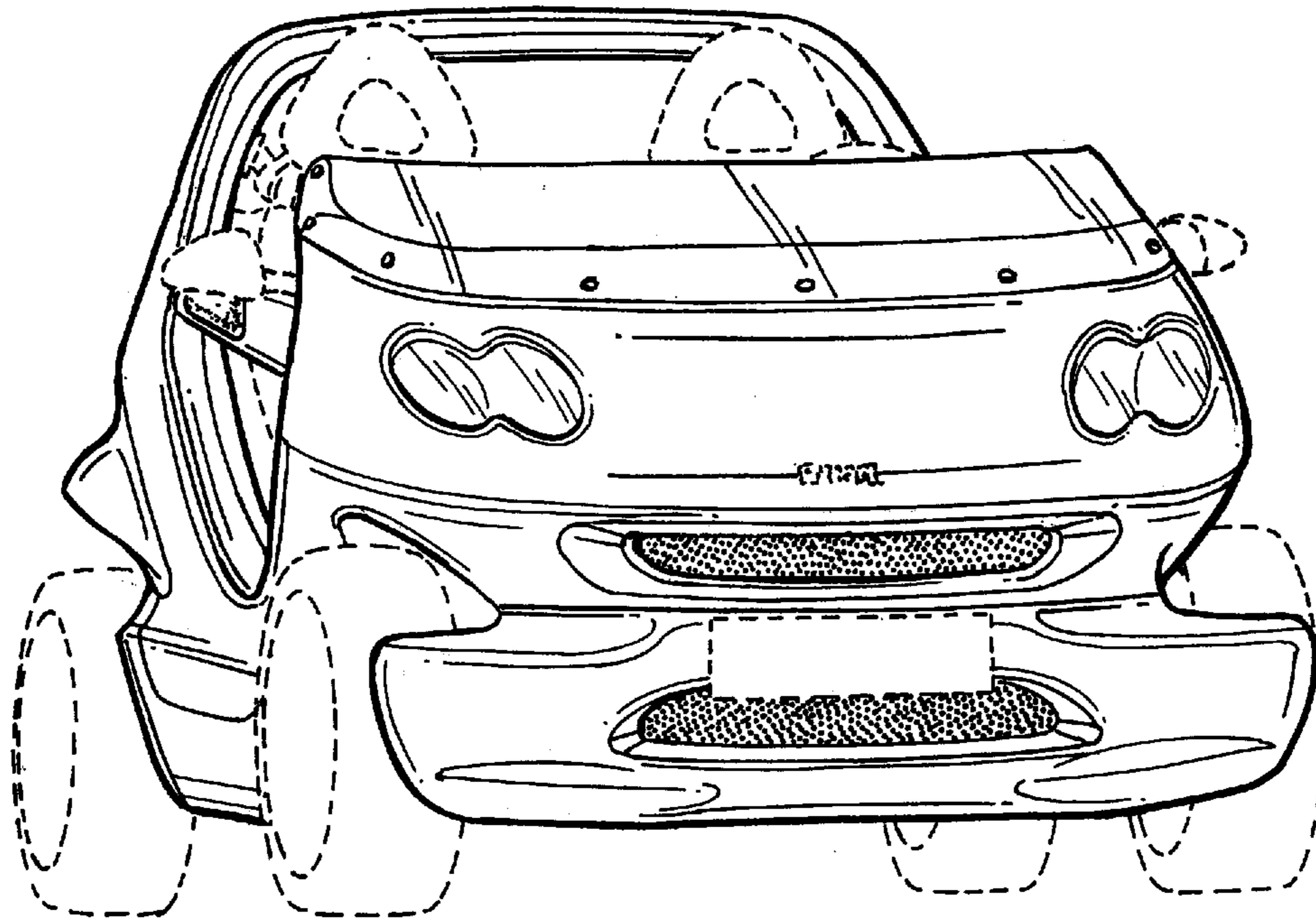


FIG. 1

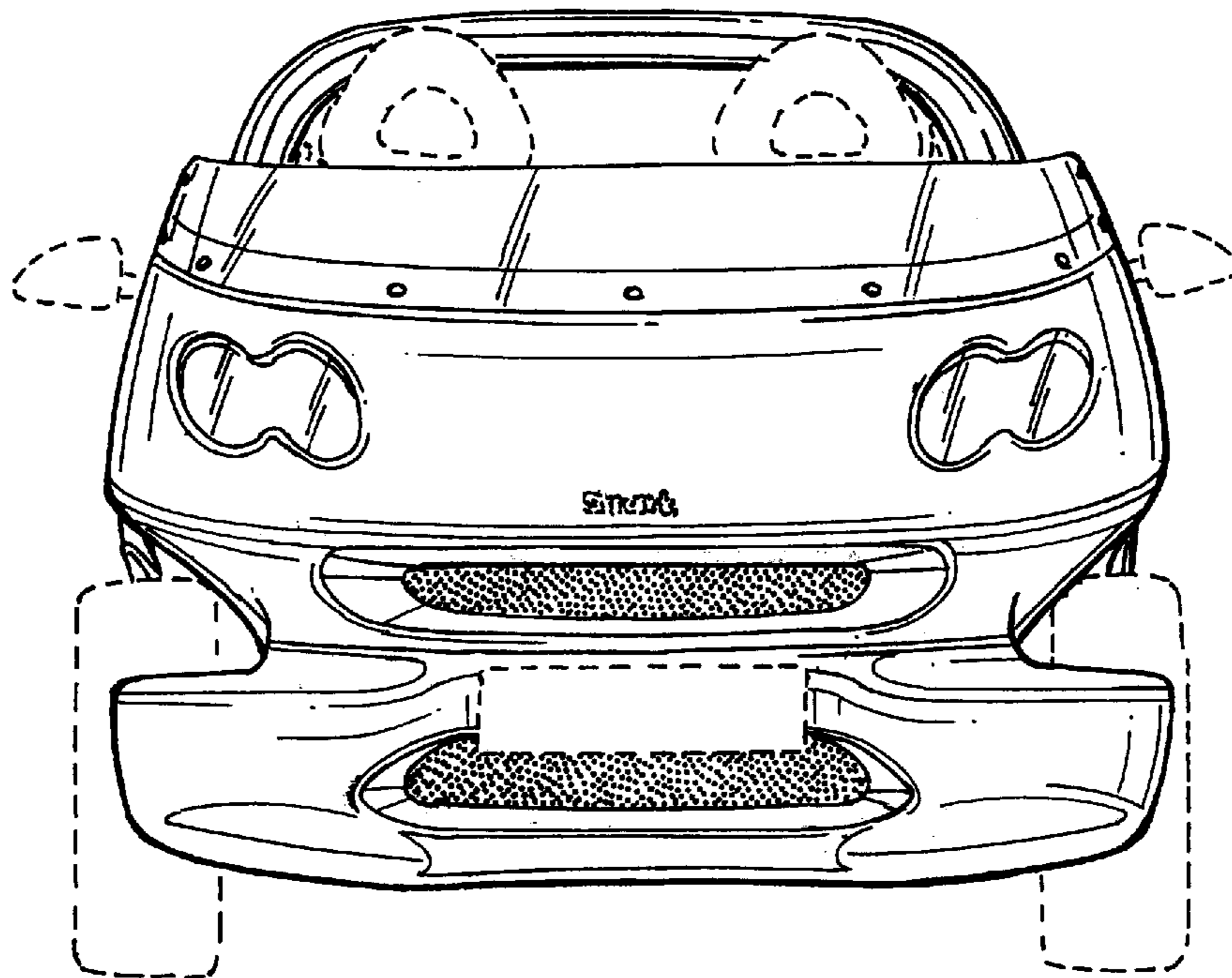


FIG. 2

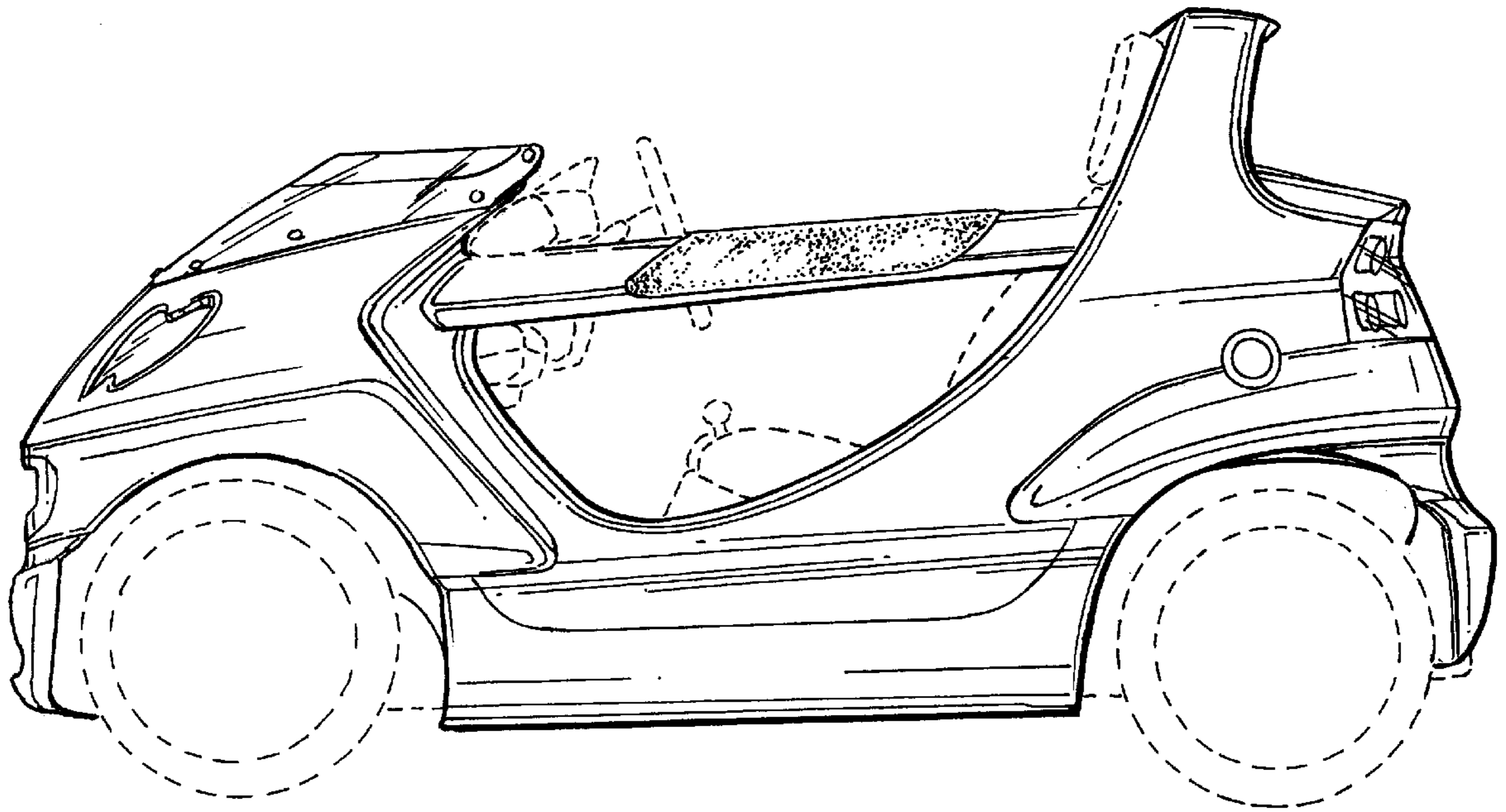


FIG. 3

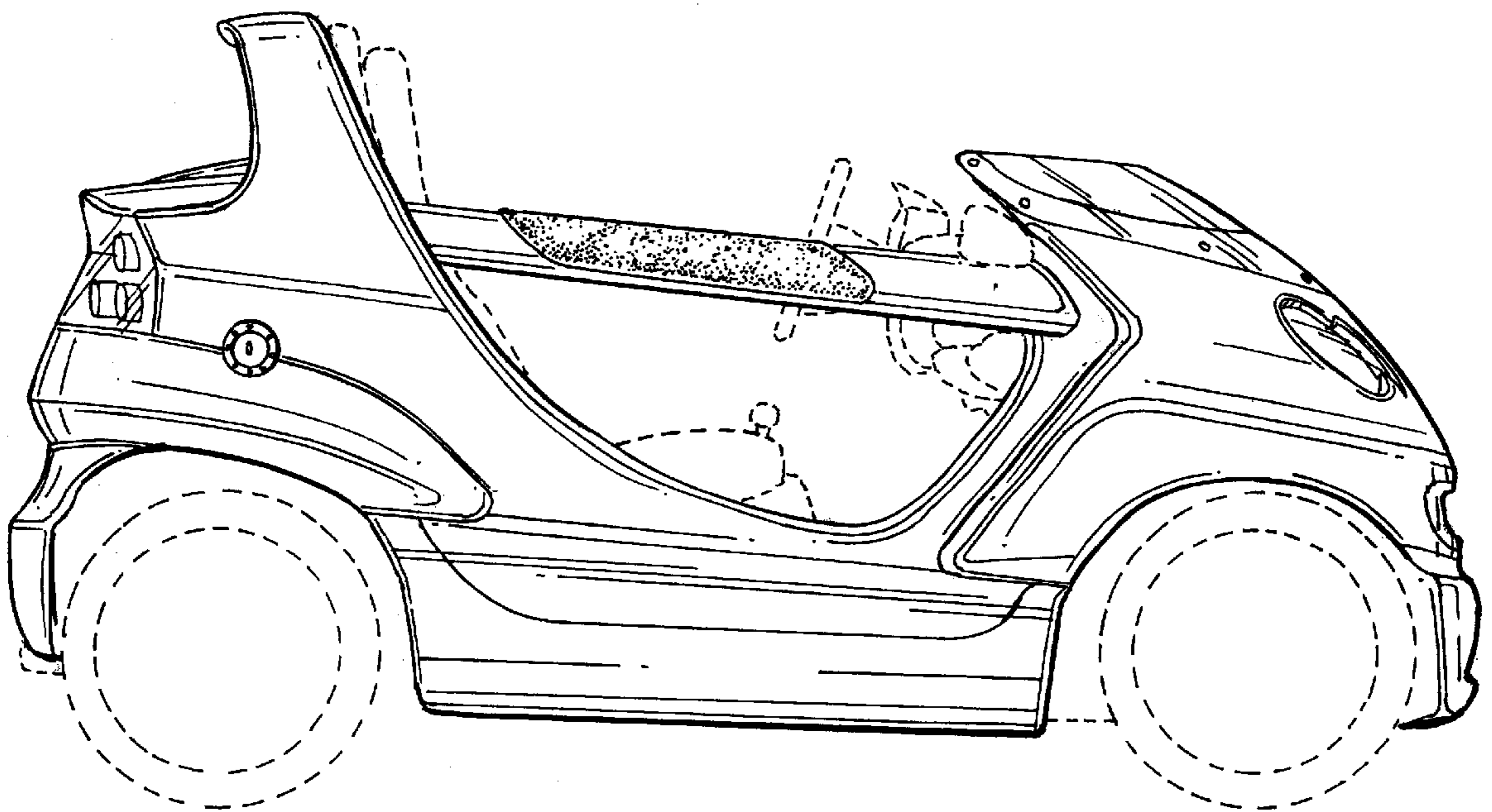


FIG. 4

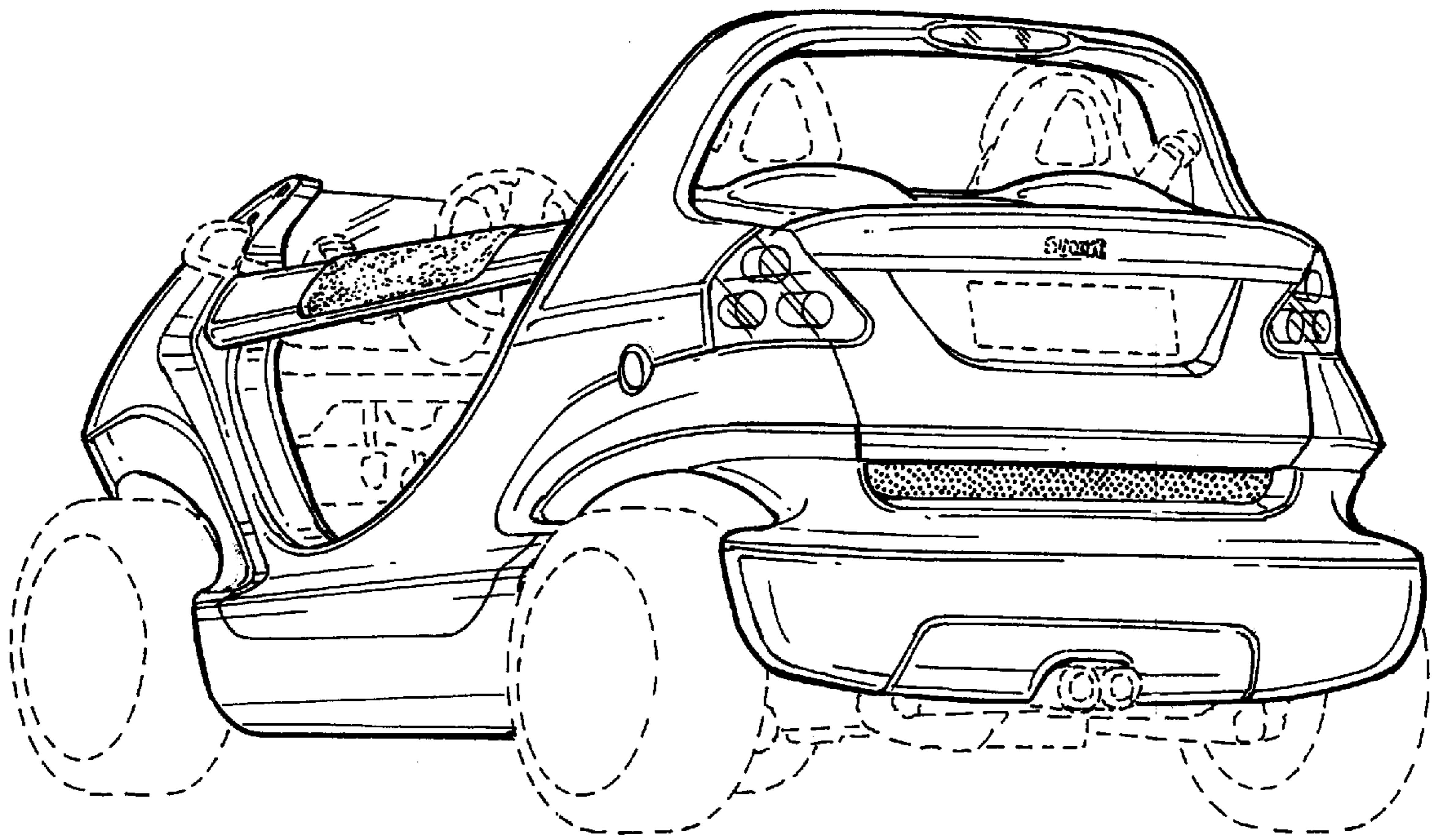


FIG. 5

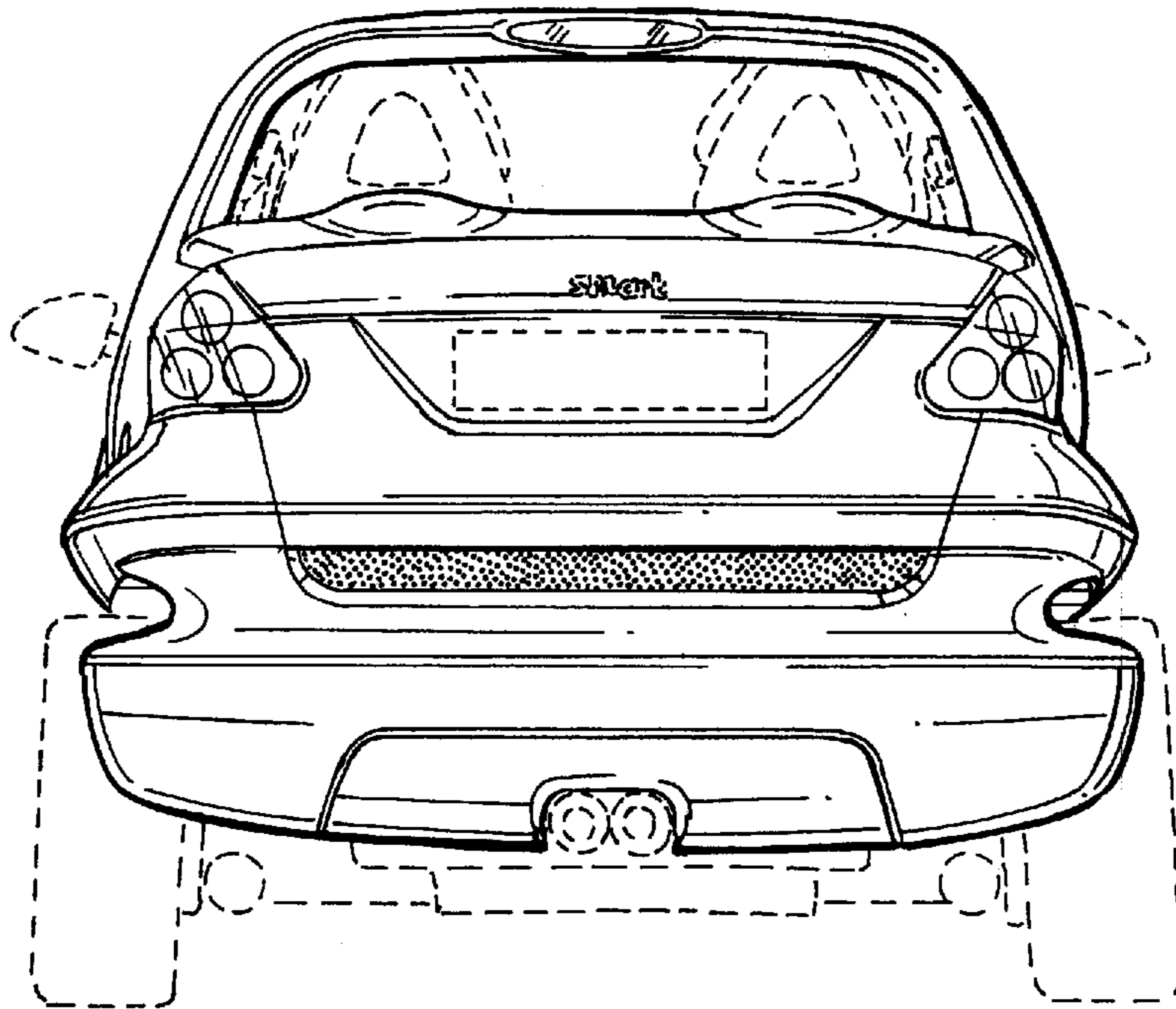


FIG. 6