



US00D456309S

(12) **United States Design Patent**
Yoshiguchi

(10) **Patent No.:** **US D456,309 S**

(45) **Date of Patent:** **** Apr. 30, 2002**

(54) **BELT ADJUSTING MEMBER**
(75) Inventor: **Manabu Yoshiguchi**, Yokohama (JP)
(73) Assignee: **Nifco Inc.**, Yokohama (JP)
(**) Term: **14 Years**

D399,172 S * 10/1998 Anscher D11/218
D413,281 S * 8/1999 Uehara D11/218
D419,106 S * 1/2000 Uehara D11/218
D421,578 S * 3/2000 Anscher D11/218

* cited by examiner

Primary Examiner—Ralf Seifert

(74) *Attorney, Agent, or Firm*—Kanesaka & Takeuchi

(21) Appl. No.: **29/143,007**
(22) Filed: **Jun. 7, 2001**

(57) **CLAIM**

The ornamental design for a belt adjusting member, as shown and described.

(30) **Foreign Application Priority Data**

Dec. 15, 2000 (JP) 2000-035887

DESCRIPTION

(51) **LOC (7) Cl.** **02-07**
(52) **U.S. Cl.** **D11/218**
(58) **Field of Search** D11/200–220;
24/196, 616, 625, 650

FIG. 1 is a front view of a belt adjusting member showing my new design;
FIG. 2 is a rear view thereof;
FIG. 3 is a right side view thereof, the left side being symmetrical to the right side view;
FIG. 4 is a top plan view thereof;
FIG. 5 is a bottom plan view thereof;
FIG. 6 is a cross sectional view taken along line 6—6 in FIG. 1;
FIG. 7 is a cross sectional view taken along line 7—7 in FIG. 1; and,
FIG. 8 is a cross sectional view thereof as in FIG. 7, in a condition that the belt adjusting member is in use.

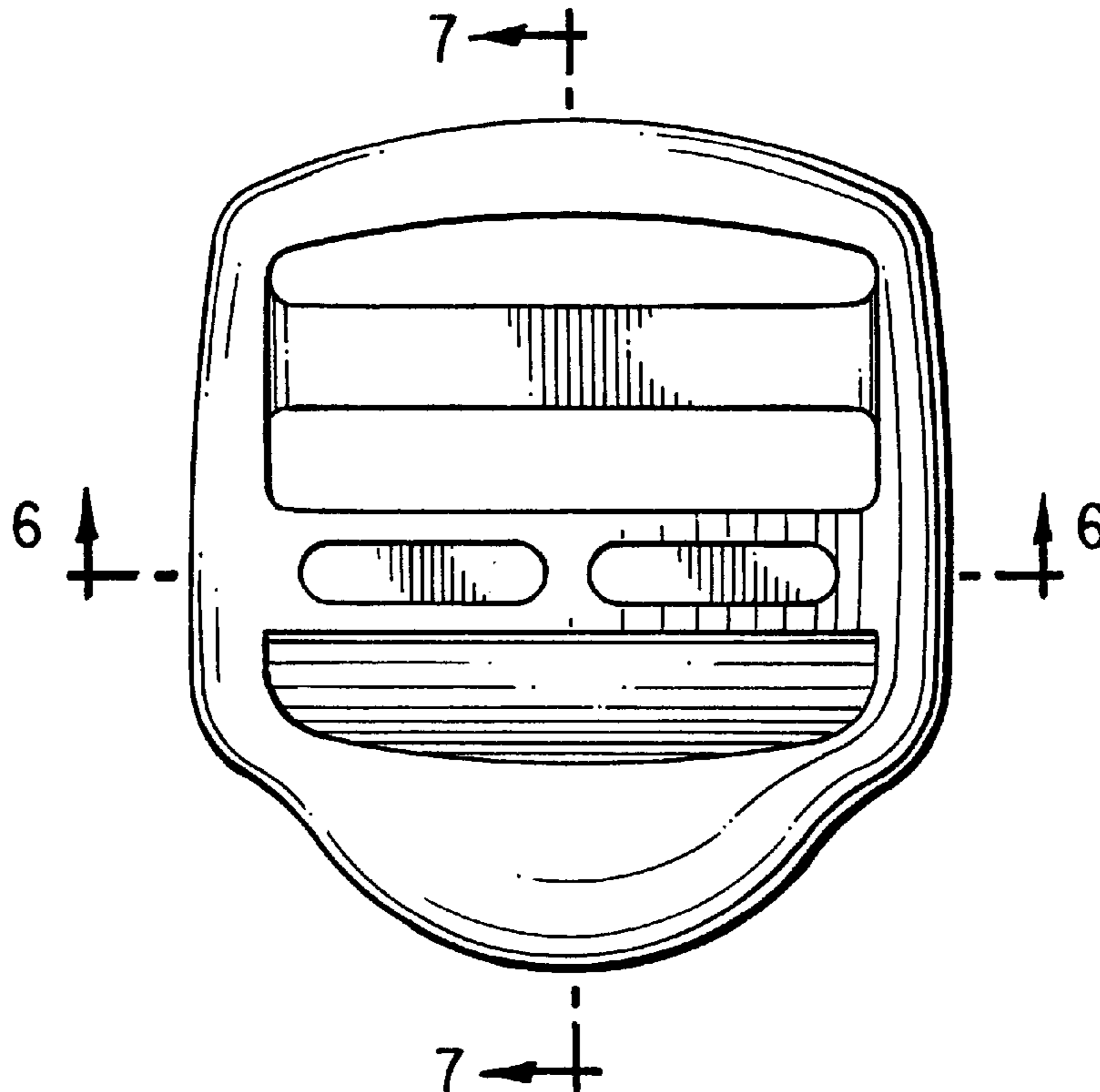
It being understood that the broken lines are for illustrative purposes only.

(56) **References Cited**

U.S. PATENT DOCUMENTS

4,608,735 A * 9/1986 Kasai 24/196
4,791,709 A * 12/1988 Fildan 24/171
4,903,378 A * 2/1990 Kasai 24/196
D328,045 S * 7/1992 Matoba D11/218
D340,008 S * 10/1993 Anscher D11/218
D347,601 S * 6/1994 Anscher D11/218
5,331,726 A * 7/1994 Suh 24/625
D352,254 S * 11/1994 Prosser D11/218
D364,833 S * 12/1995 Matoba D11/218
5,651,166 A * 7/1997 Lundstedt 24/200
D386,110 S * 11/1997 Hetrick et al. D11/218

1 Claim, 3 Drawing Sheets



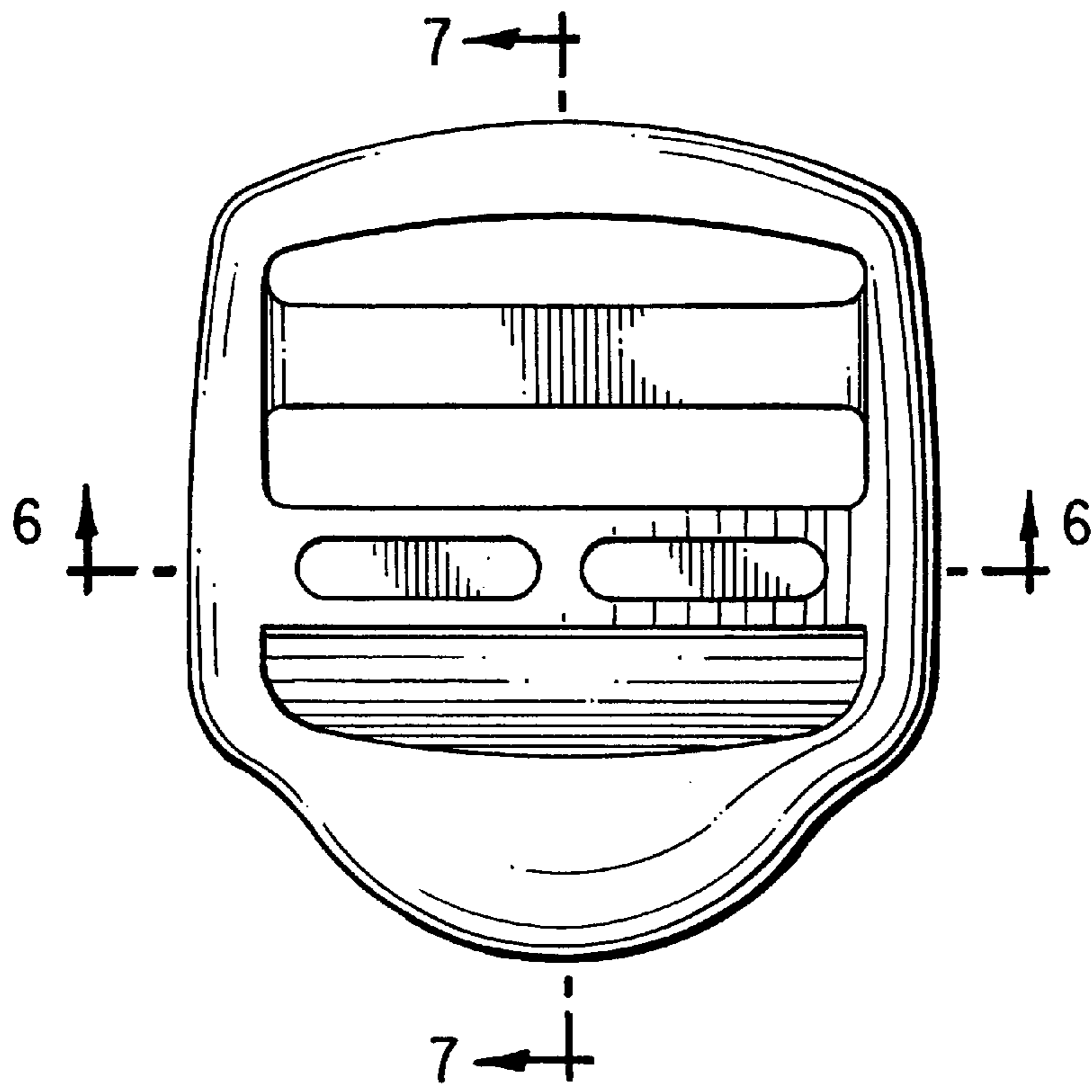


FIG. 1

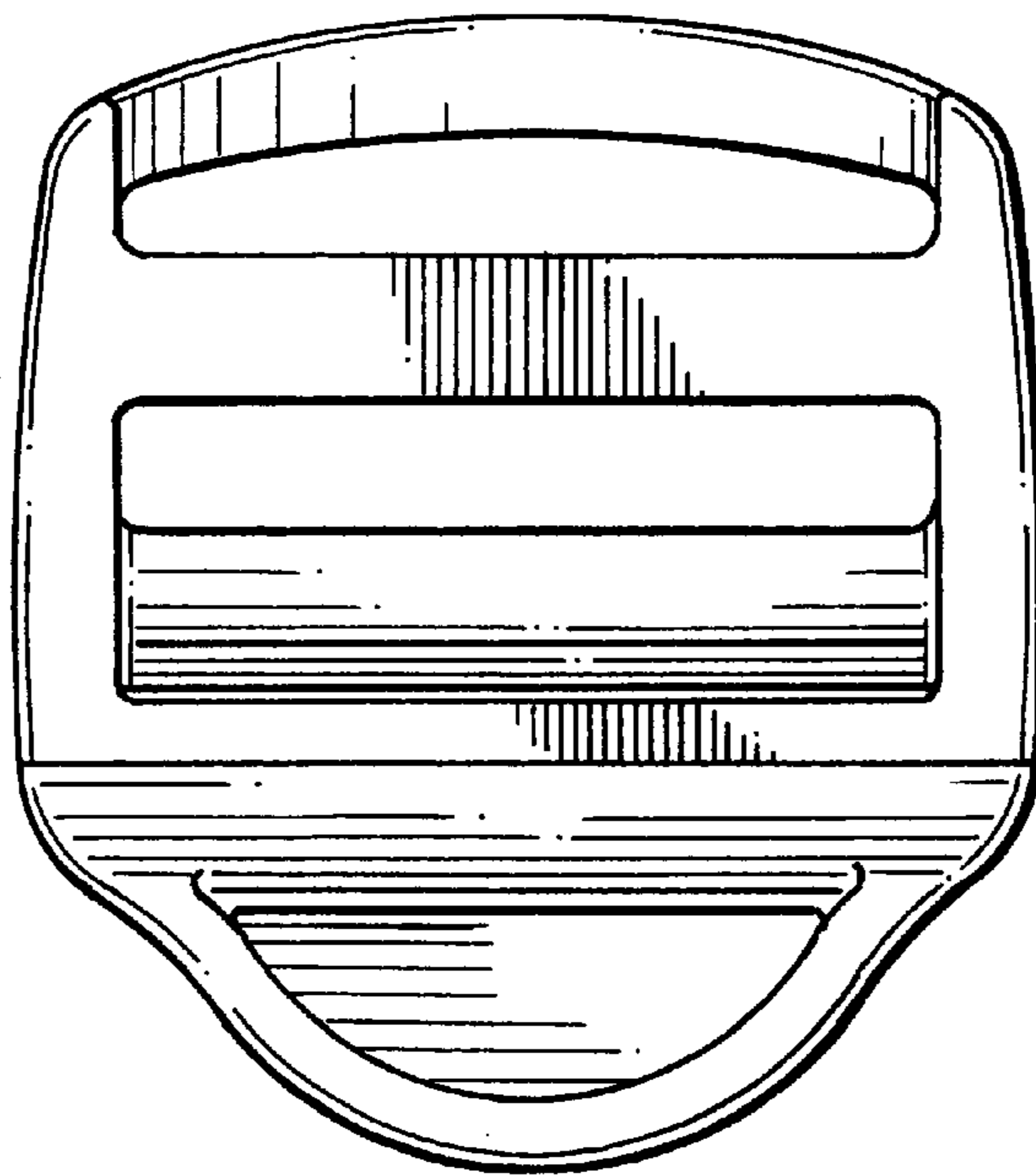


FIG. 2

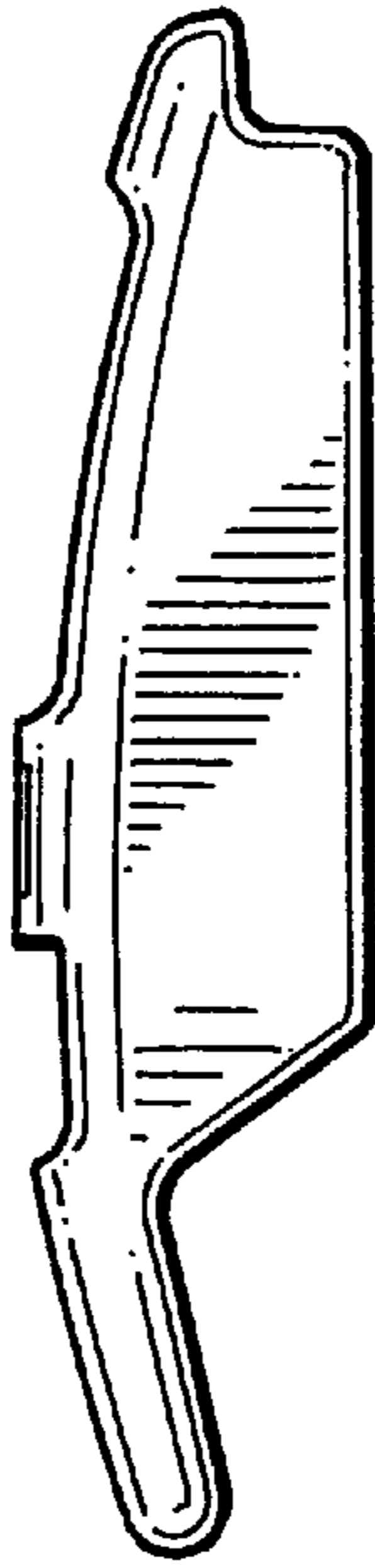


FIG. 3

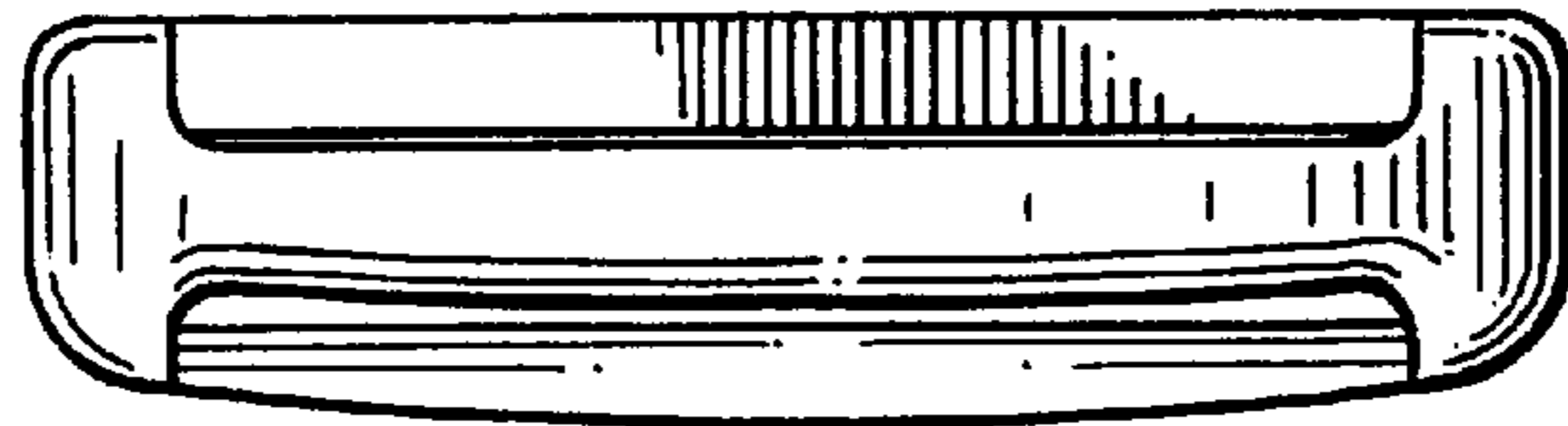


FIG. 4

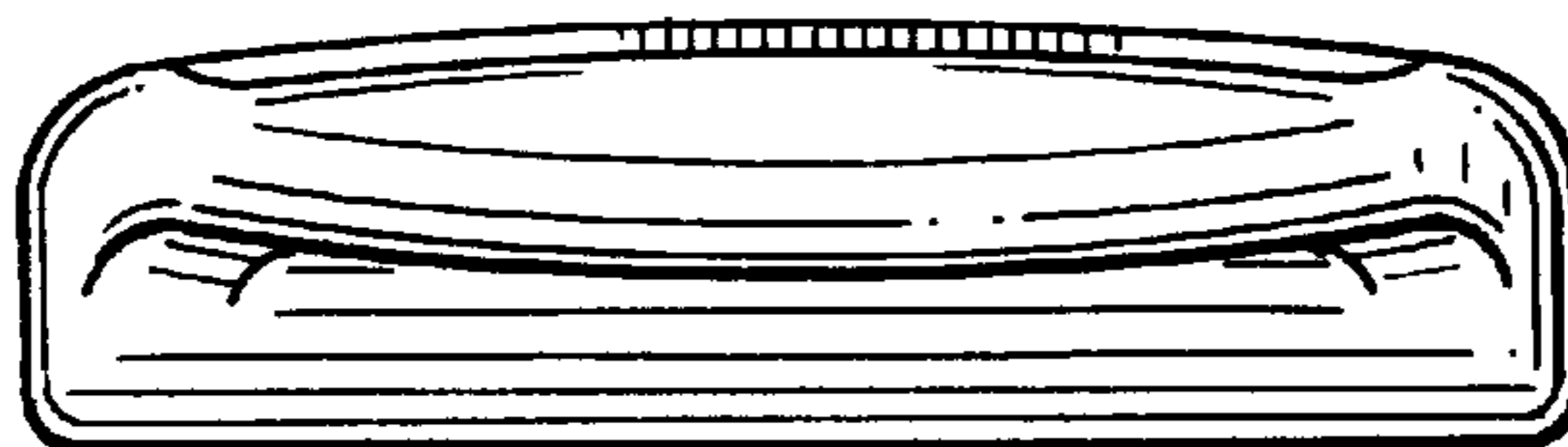


FIG. 5

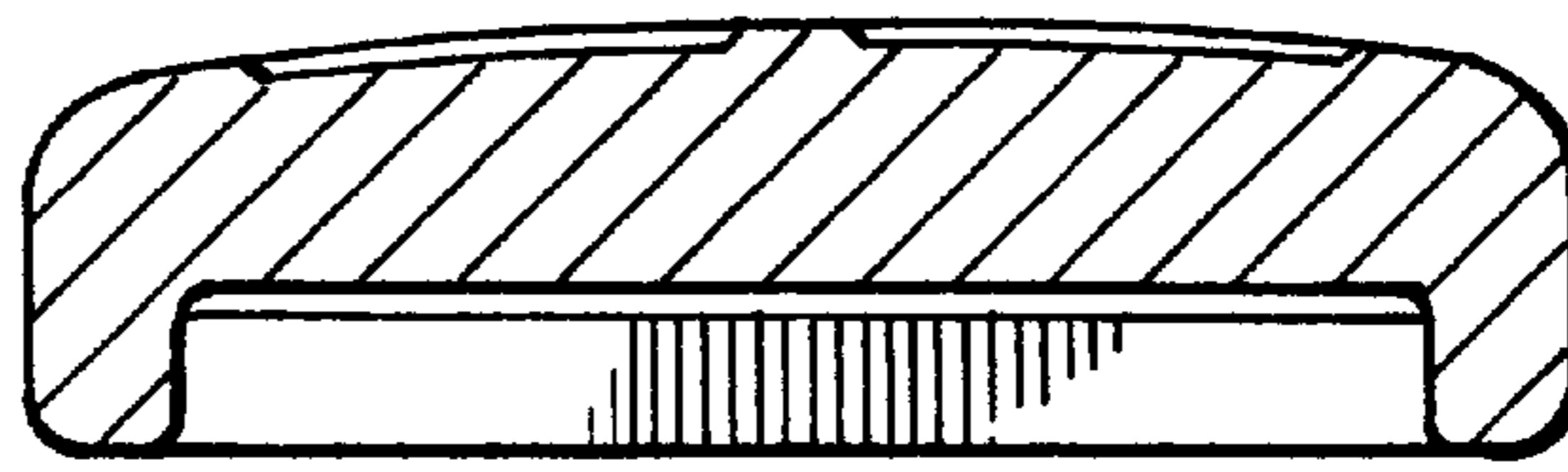


FIG. 6

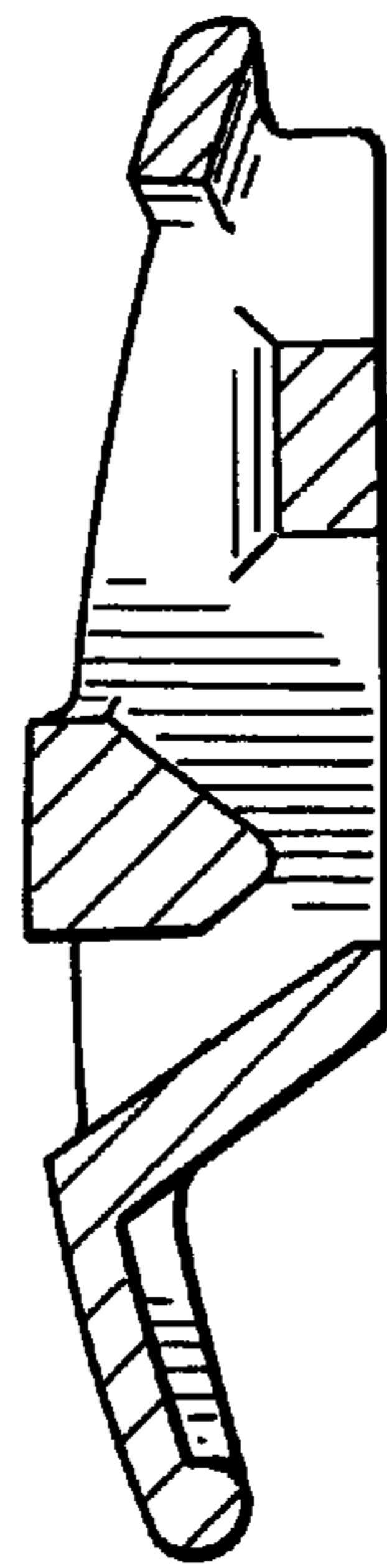


FIG. 7

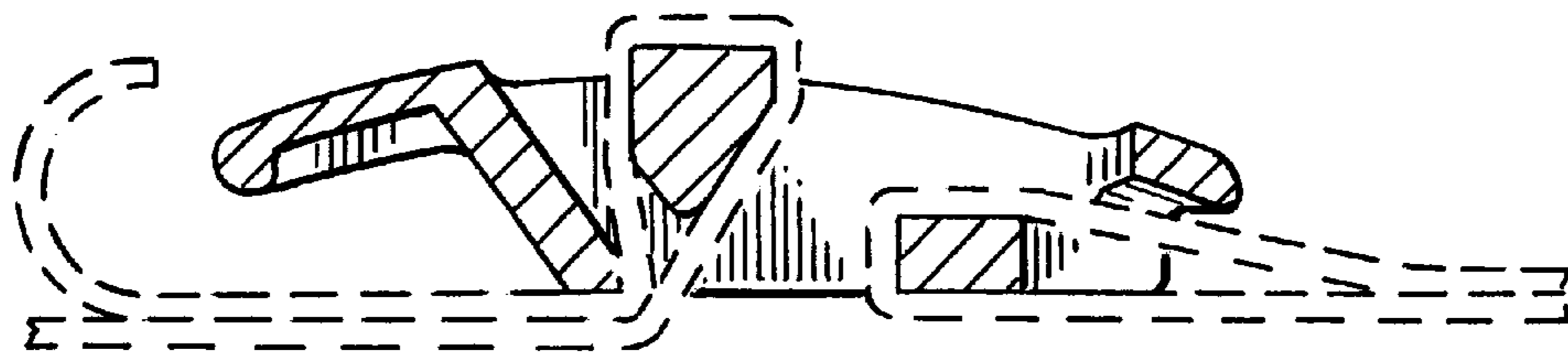


FIG. 8