



US00D456305S

(12) **United States Design Patent**  
**Hopkins**

(10) **Patent No.:** **US D456,305 S**

(45) **Date of Patent:** **\*\* Apr. 30, 2002**

(54) **CONTAINER**

(76) **Inventor:** **Craig S. Hopkins**, 356 State Rte. 408E,  
Hickory, KY (US) 42051

(\*\*) **Term:** **14 Years**

(21) **Appl. No.:** **29/132,645**

(22) **Filed:** **Nov. 13, 2000**

(51) **LOC (7) Cl.** ..... **11-02**

(52) **U.S. Cl.** ..... **D11/149; D11/153; D11/154**

(58) **Field of Search** ..... **D11/133, 143,**  
**D11/144, 148, 149, 152, 153, 154, 164;**  
**47/65.5, 65.7, 65.6, 67, 68, 71, 41.01; D6/556,**  
**557; D21/357, 328; D27/102, 106; D34/1,**  
**4; 273/317.5; 434/251**

(56) **References Cited**

**U.S. PATENT DOCUMENTS**

2,700,847	A	*	2/1955	Brasol	.....	47/65.7
D262,717	S	*	1/1982	Dweck	.....	D21/328
5,095,651	A	*	3/1992	Figueroa	.....	47/65.7
D340,078	S	*	10/1993	Turner	.....	D11/149
D365,948	S	*	1/1996	Borden	.....	D21/357
D443,228	S	*	6/2001	Olinger	.....	D11/133

\* cited by examiner

*Primary Examiner*—Doris V. Coles

*Assistant Examiner*—Mimosa De

(74) *Attorney, Agent, or Firm*—James C. Eaves, Jr.;  
Greenbaum Doll & McDonald PLLC

(57) **CLAIM**

The ornamental design for a container, as shown and described.

**DESCRIPTION**

FIG. 1 is a perspective view of a first embodiment of a container made in accordance with the present invention. The broken lines, which are for illustrative purposes only and form no part of the claimed design, show how a team logo may be displayed on the container body;

FIG. 2 is a front view of the container of FIG. 1, the rear view being identical;

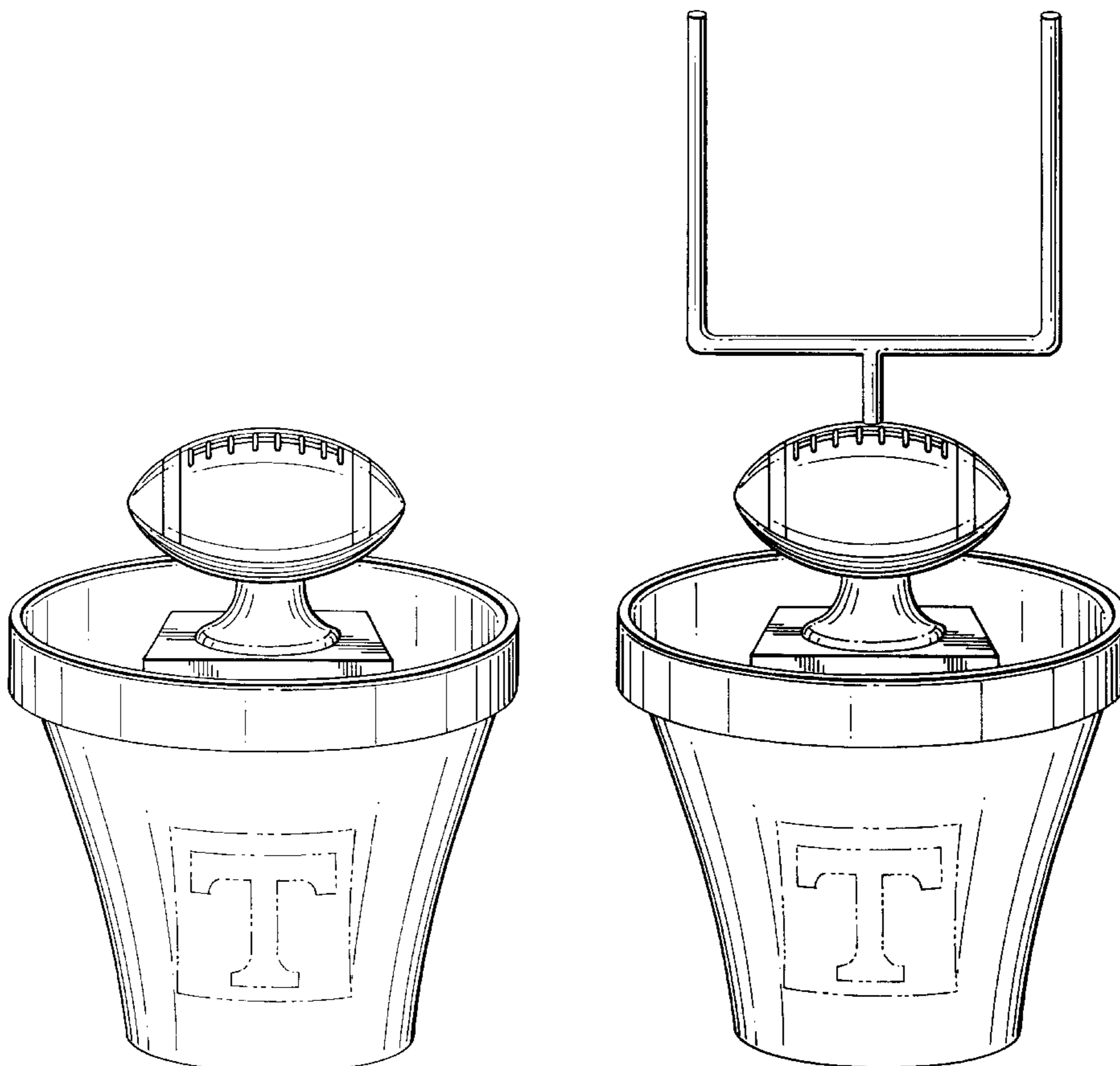
FIG. 3 is a bottom view of the container of FIG. 1;

FIG. 4 is a top view of the container of FIG. 1;

FIG. 5 is a top perspective view of a second embodiment of the container of FIG. 1, showing a goal post mounted atop the football. The broken lines, which are for illustrative purposes only and form no part of the claimed design, show how a team logo may be displayed on the container body; and,

FIG. 6 is a top view of the container of FIG. 5, showing a ball mounted atop the stand.

**1 Claim, 6 Drawing Sheets**



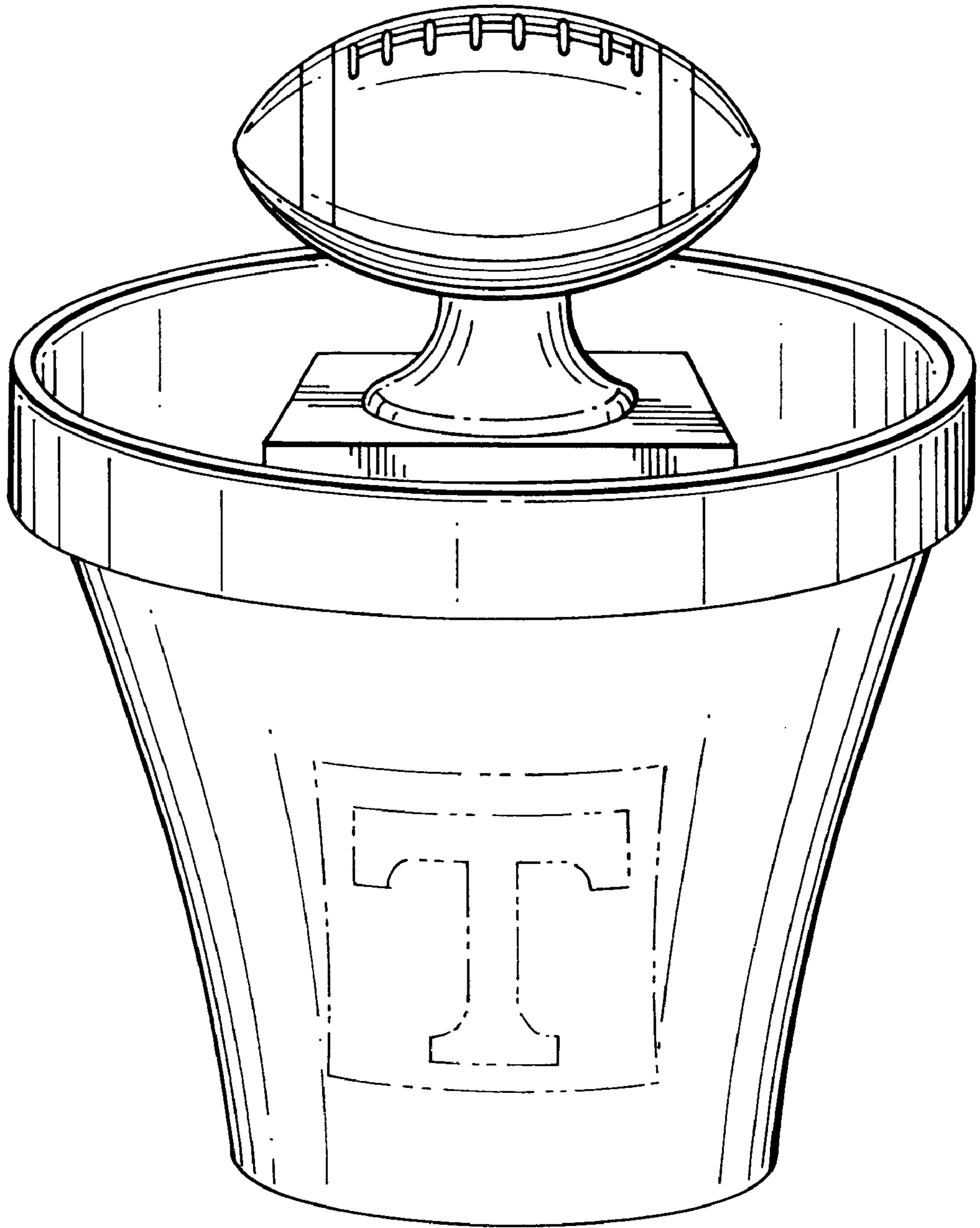


FIG. 1

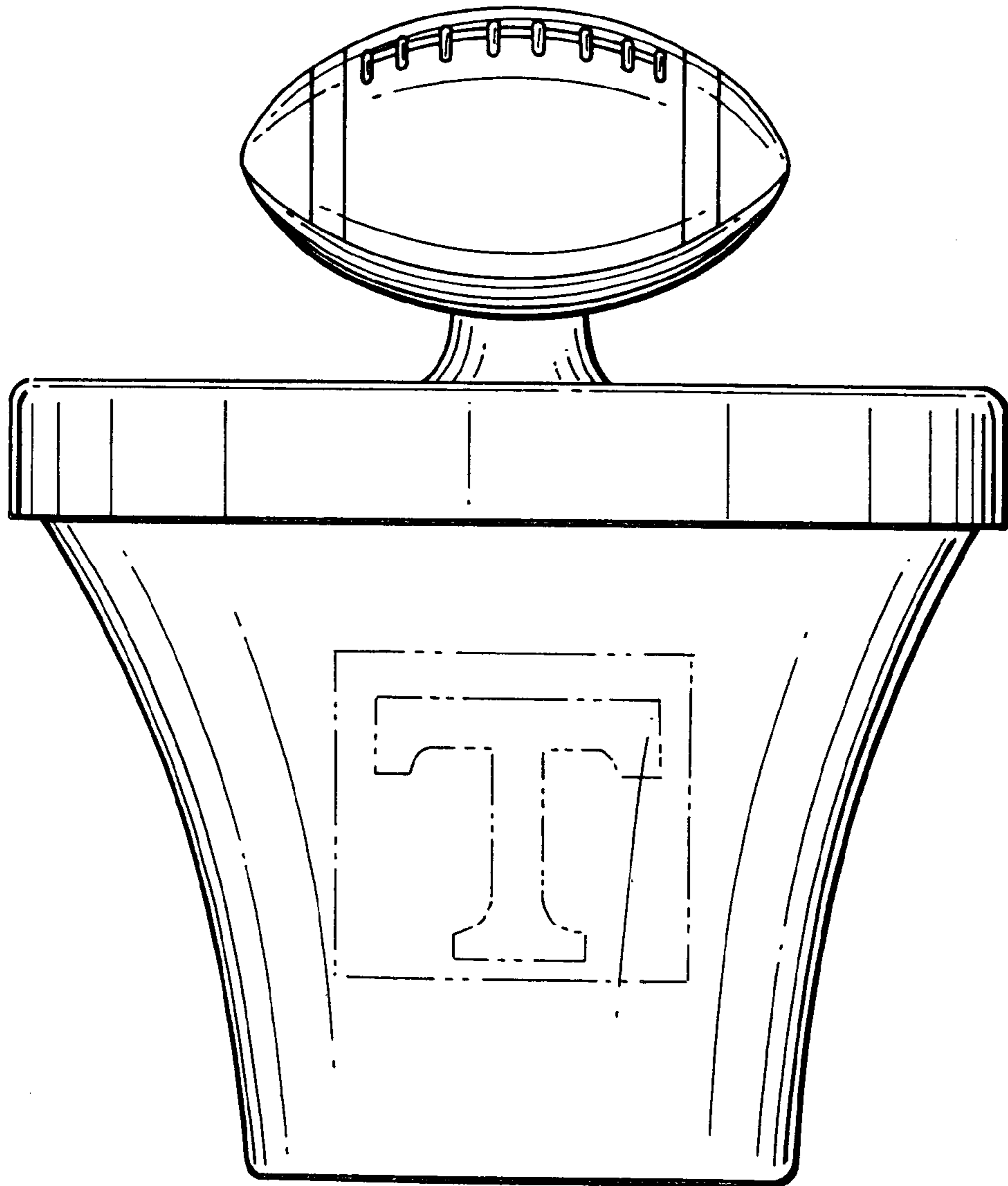


FIG. 2

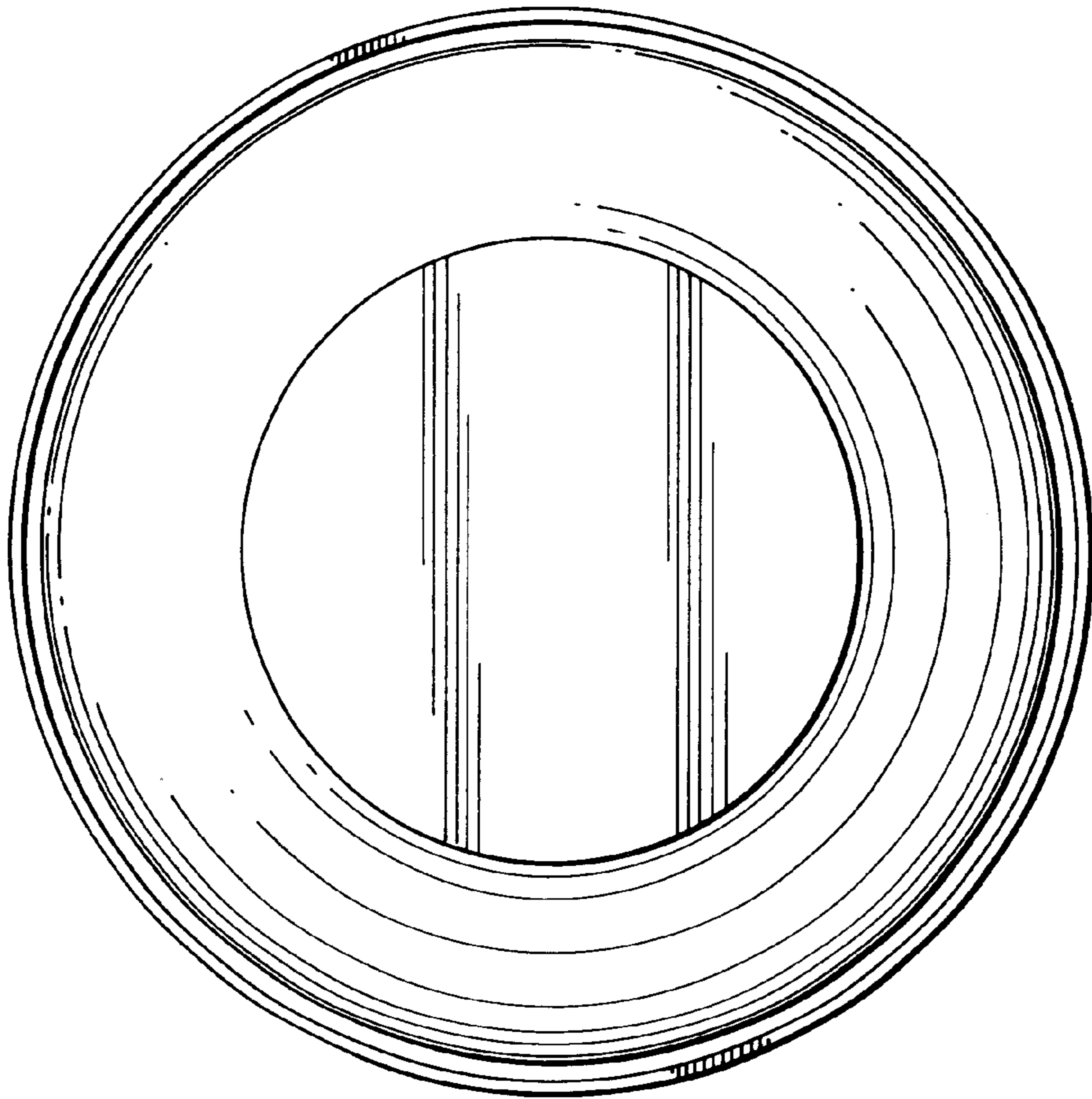


FIG. 3

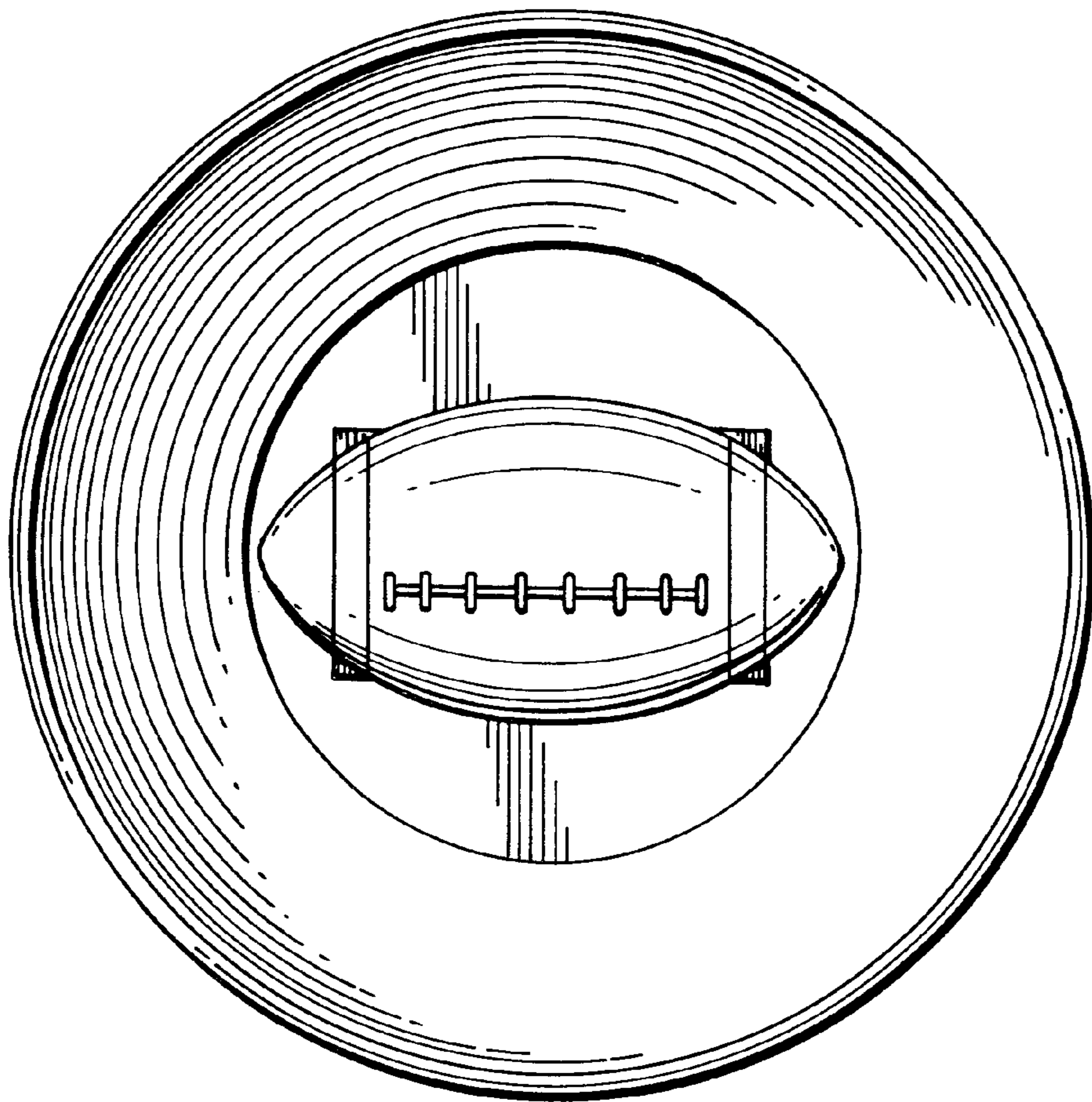


FIG. 4

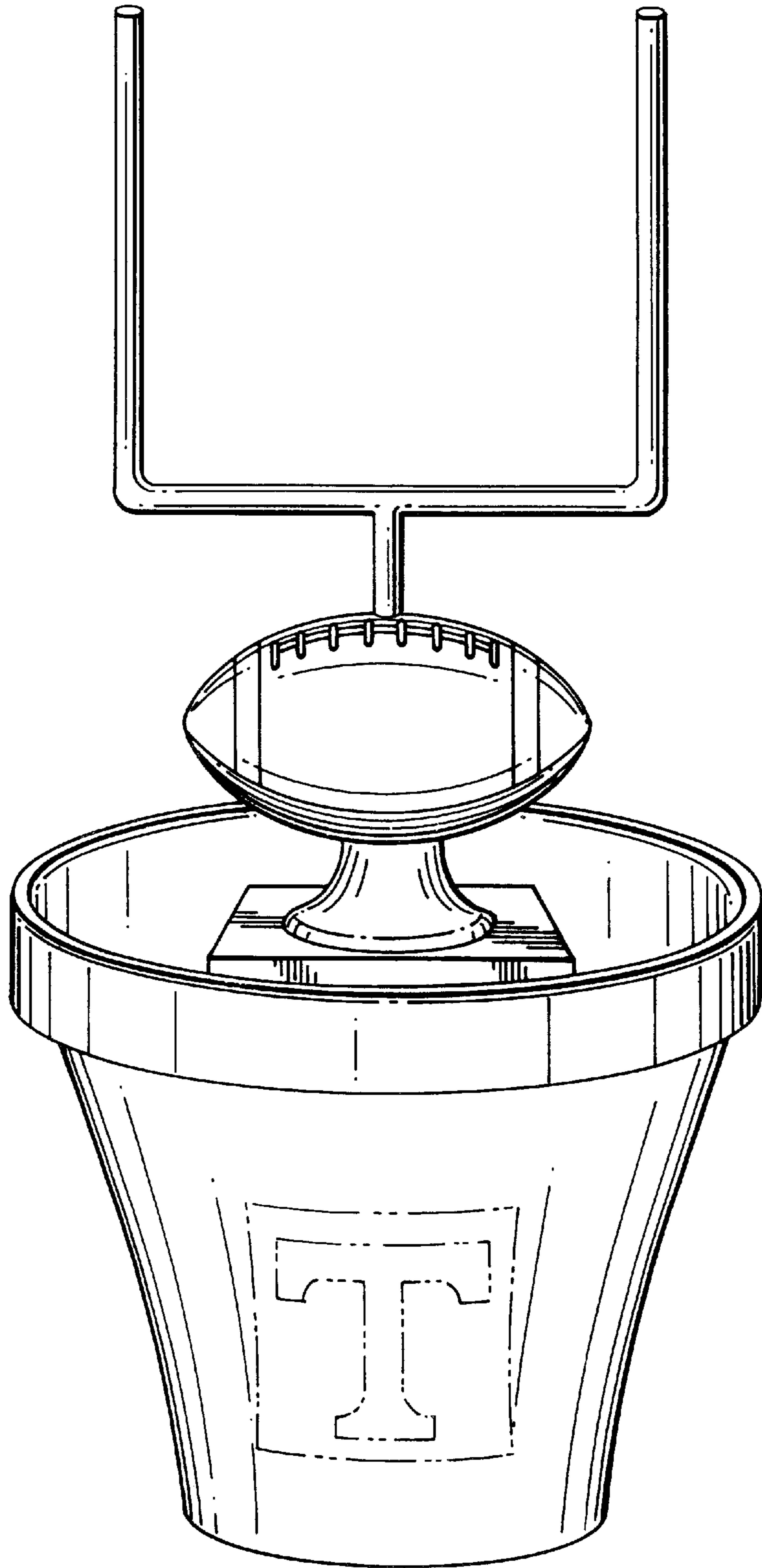


FIG. 5

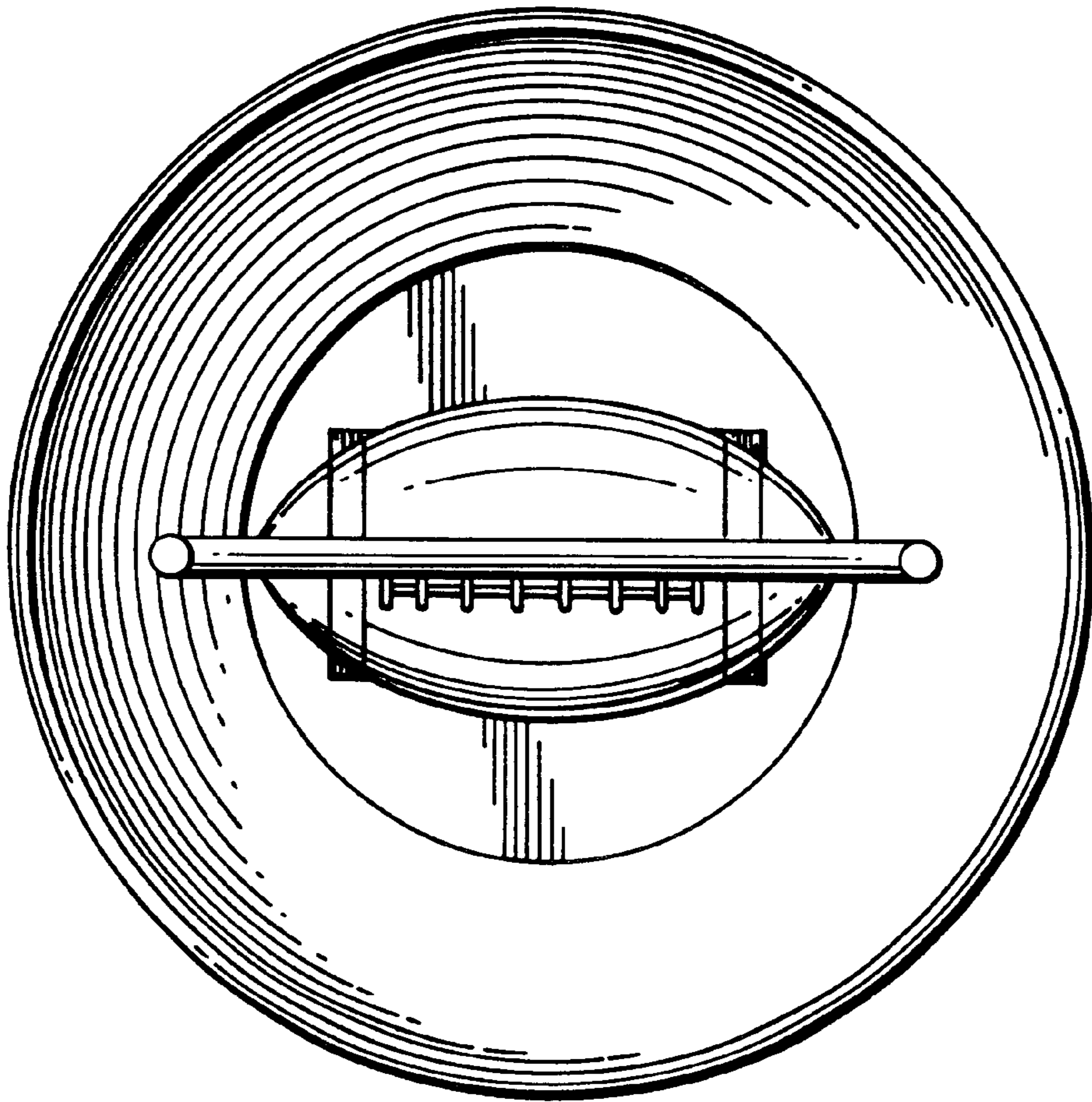


FIG. 6