



US00D456295S

(12) **United States Design Patent**  
**Hanagata**

(10) **Patent No.:** **US D456,295 S**

(45) **Date of Patent:** **\*\* Apr. 30, 2002**

(54) **PORTION OF A WATCH CASE**

(75) Inventor: **Shigeru Hanagata**, Hachioji (JP)

(73) Assignee: **Casio Keisanki Kabushiki Kaisha**,  
Tokyo (JP)

(\*\*) Term: **14 Years**

(21) Appl. No.: **29/145,340**

(22) Filed: **Jul. 20, 2001**

(51) **LOC (7) Cl.** ..... **10-02**

(52) **U.S. Cl.** ..... **D10/132**

(58) **Field of Search** ..... D10/1-40, 122-132;  
368/41-44, 82-84, 28-30, 239-242, 276-277,  
280-282, 285, 294-295, 316-317

(56) **References Cited**

**U.S. PATENT DOCUMENTS**

D394,403 S	*	5/1998	Hanagata	.....	D10/38
D447,426 S	*	9/2001	Jannard et al.	.....	D10/32
D447,959 S	*	9/2001	Fox et al.	.....	D10/30

\* cited by examiner

*Primary Examiner*—Nelson C. Holtje

(74) *Attorney, Agent, or Firm*—Frishauf, Holtz, Goodman,  
Langer & Chick, P.C.

(57) **CLAIM**

The ornamental design for a portion of a watch case, as shown and described.

**DESCRIPTION**

FIG. 1 is a front elevational view of a portion of a watch case, showing my new design;

FIG. 2 is a right side elevational view thereof;

FIG. 3 is a left side elevational view thereof;

FIG. 4 is a top plan view thereof;

FIG. 5 is a bottom plan view thereof;

FIG. 6 is a rear elevational view thereof;

FIG. 7 is a front, bottom and right side perspective view thereof; and,

FIG. 8 is a vertical cross-sectional view thereof, taken along a line crossing a central portion of the watch case.

The broken lines are for illustrative purposes only and form no part of the claimed design.

**1 Claim, 4 Drawing Sheets**

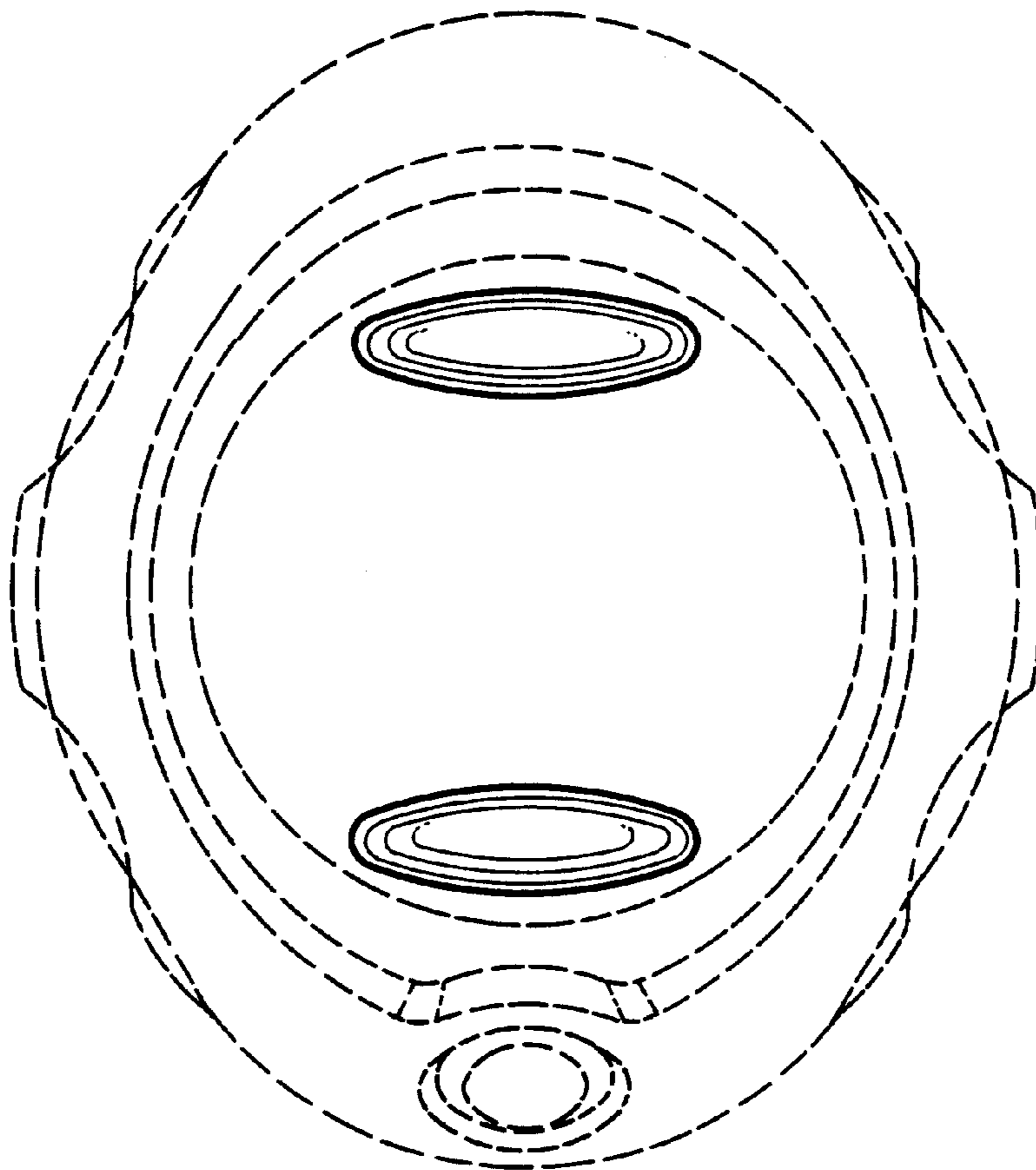


FIG. 1

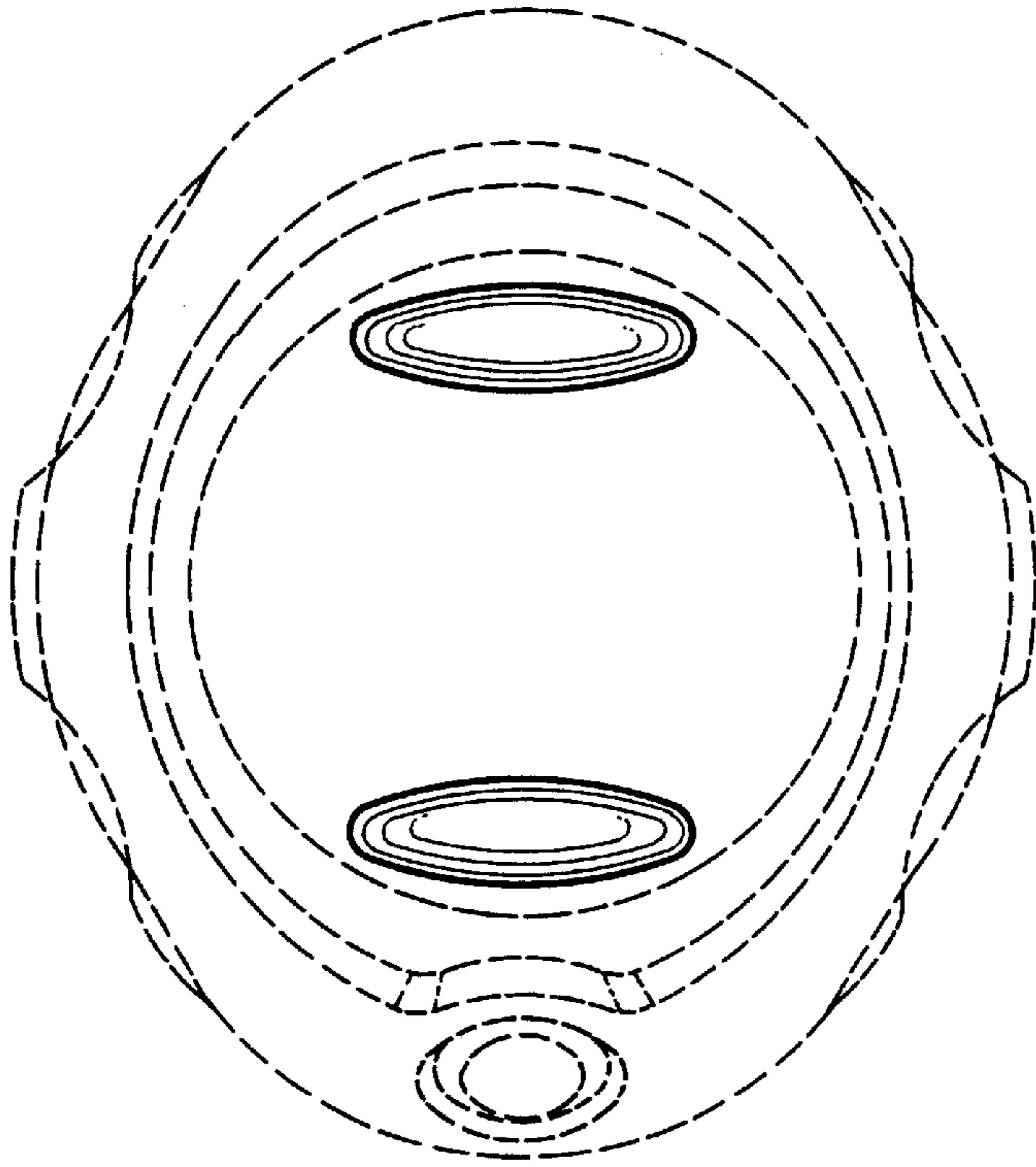


FIG. 2

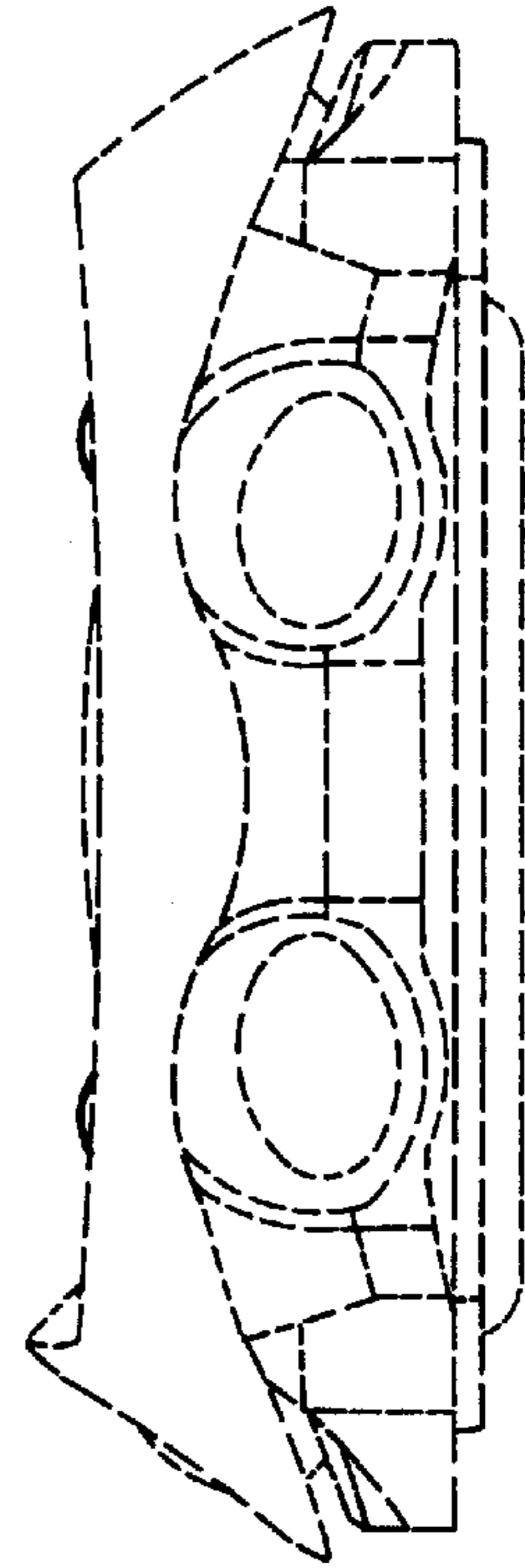


FIG. 5

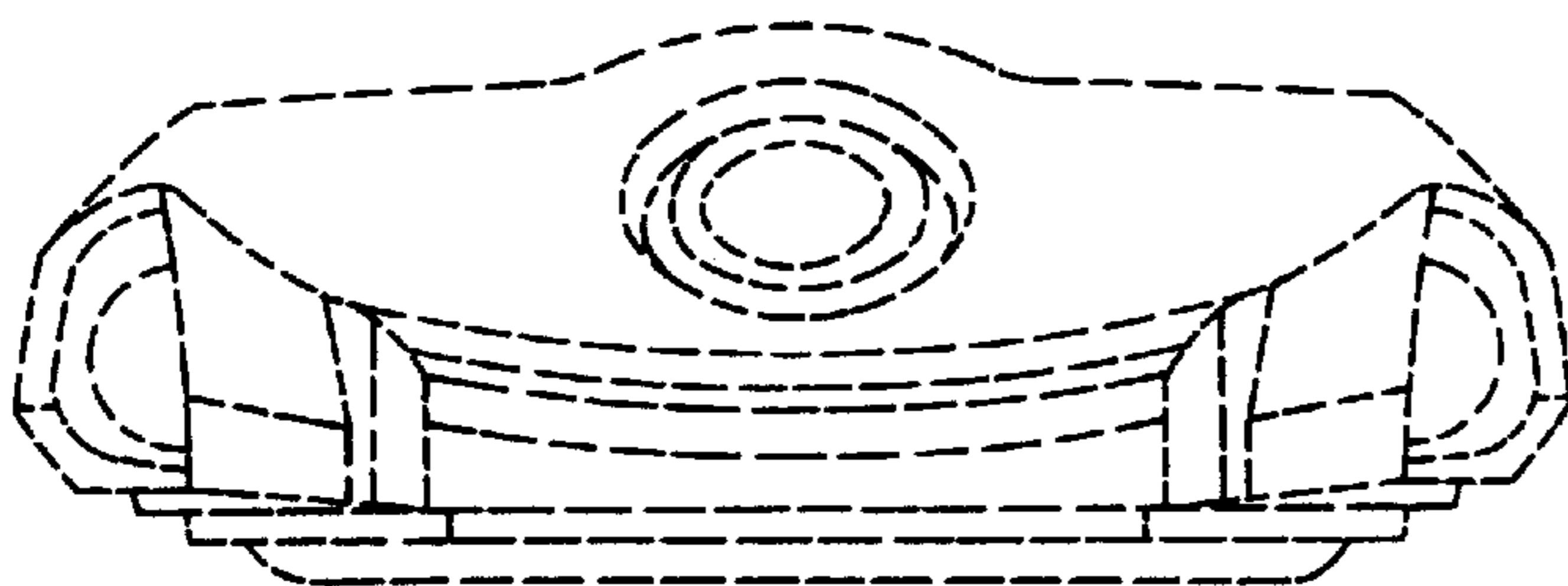


FIG. 4

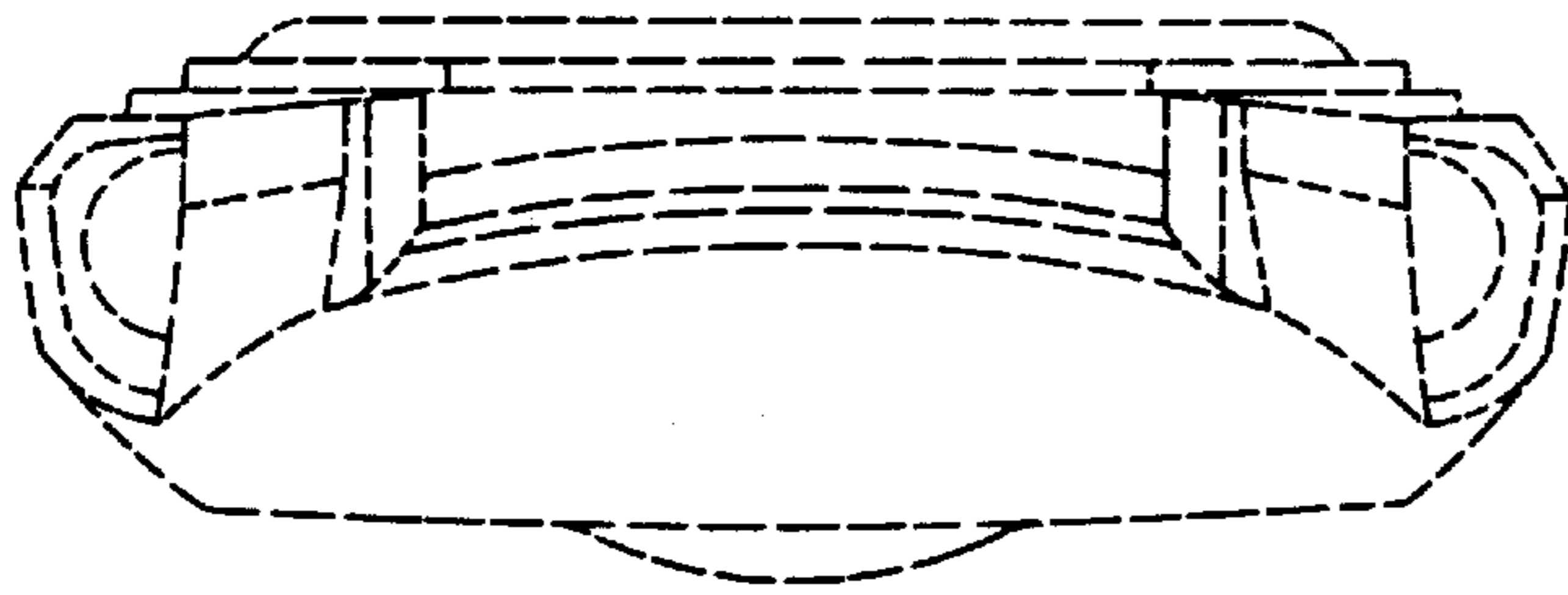


FIG. 6

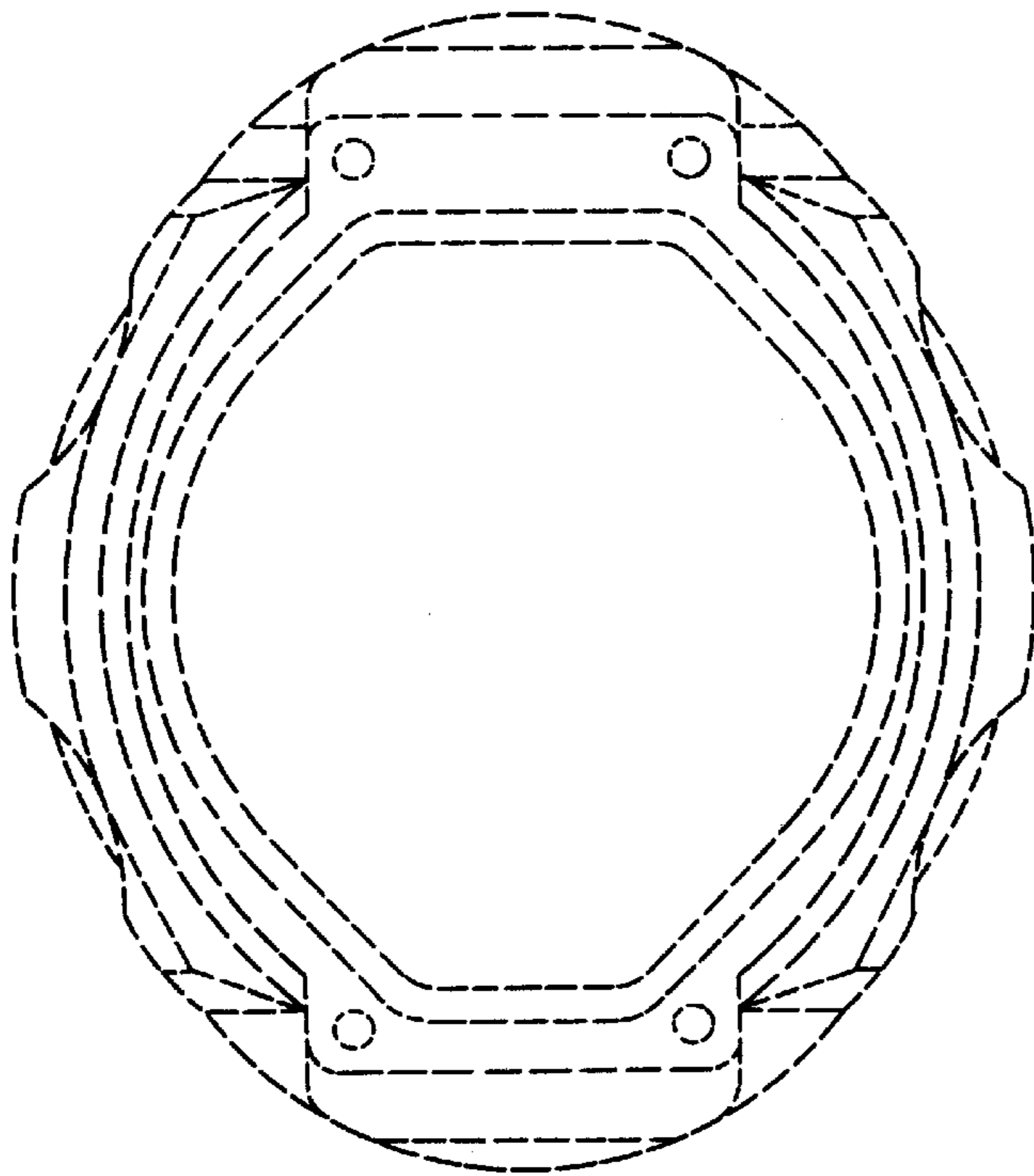


FIG. 3

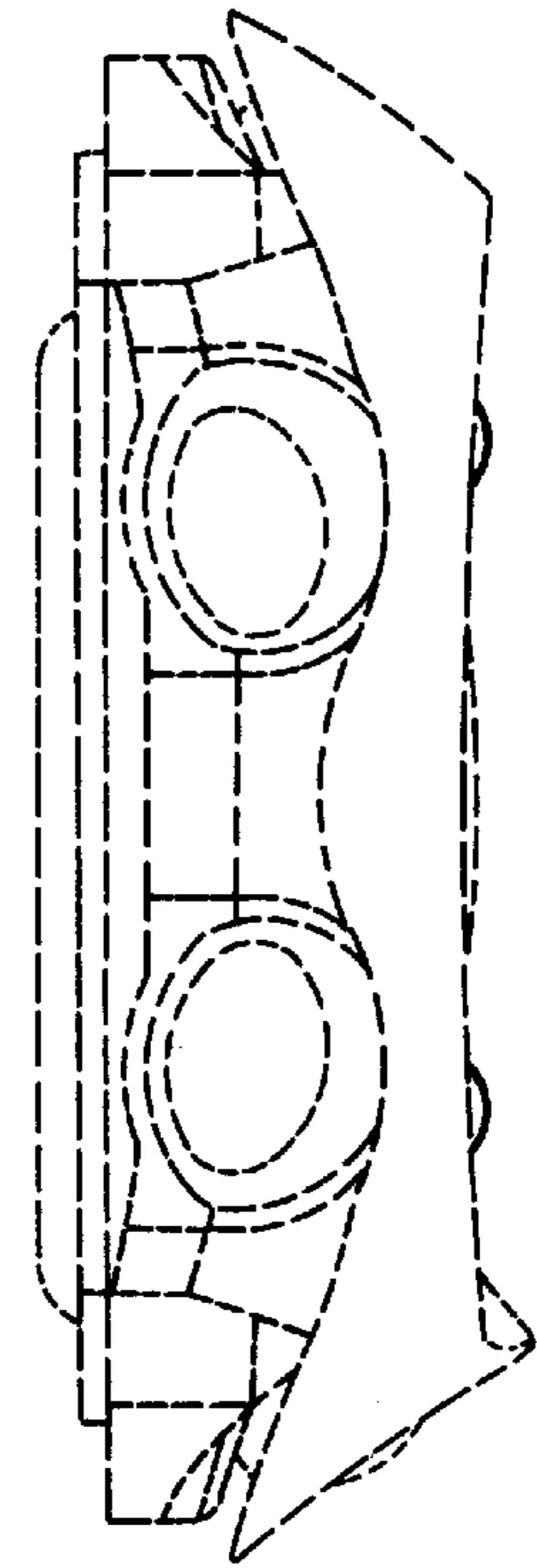


FIG. 7

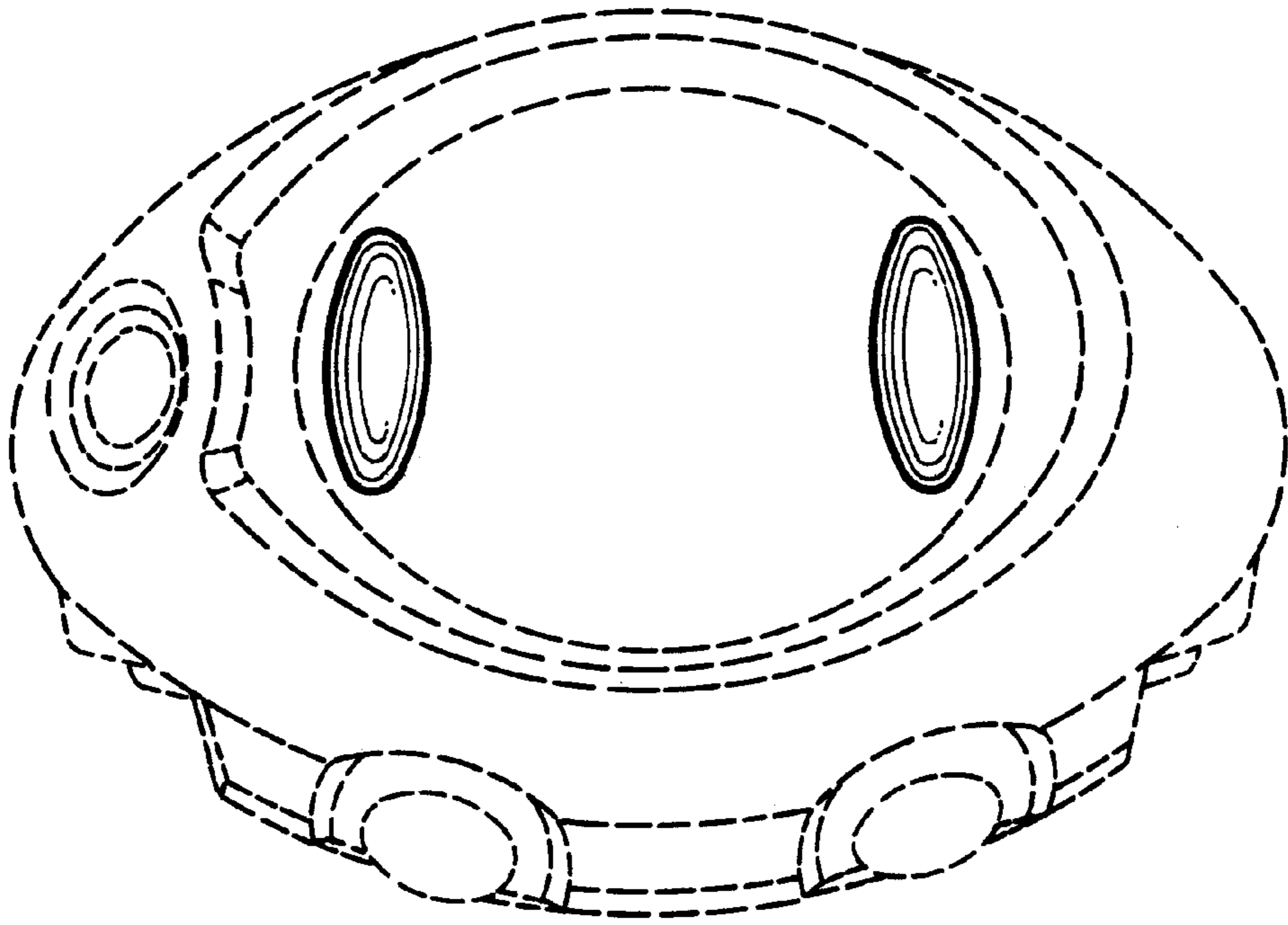


FIG. 8

