



US00D456291S

(12) **United States Design Patent**
Montagnino et al.

(10) **Patent No.:** **US D456,291 S**

(45) **Date of Patent:** **** Apr. 30, 2002**

(54) **BEAM SCALE**

4,750,575 A * 6/1988 Carnevale et al. 177/47

(75) Inventors: **James G. Montagnino**, St. Charles;
Anson Wong, Glendale Heights;
Ricardo Murguia, Berwyn; **Shawn Barrett**, Grayslake; **Curtis L. Cruver, IV**, Elmhurst, all of IL (US)

* cited by examiner

Primary Examiner—Antoine Duval Davis
(74) *Attorney, Agent, or Firm*—Kramer Levin Naftalis & Frankel LLP

(73) Assignee: **Sunbeam Products, Inc.**, Boca Raton, FL (US)

(57) **CLAIM**

The ornamental design for a beam scale, as shown and described.

(**) Term: **14 Years**

DESCRIPTION

(21) Appl. No.: **29/140,451**

FIG. 1 is a front right perspective view of a beam scale according to an exemplary embodiment of the present invention.

(22) Filed: **Apr. 18, 2001**

FIG. 2 is a front elevational view of the beam scale.

(51) **LOC (7) Cl.** **10-04**

FIG. 3 is a back elevational view of the beam scale.

(52) **U.S. Cl.** **D10/93**

FIG. 4 is a right side elevational view of the beam scale.

(58) **Field of Search** D10/92; 177/47,
177/211, 239-245

FIG. 5 is a left side elevational view of the beam scale.

FIG. 6 is a top plan view of the beam scale; and,

FIG. 7 is a bottom plan view of the beam scale.

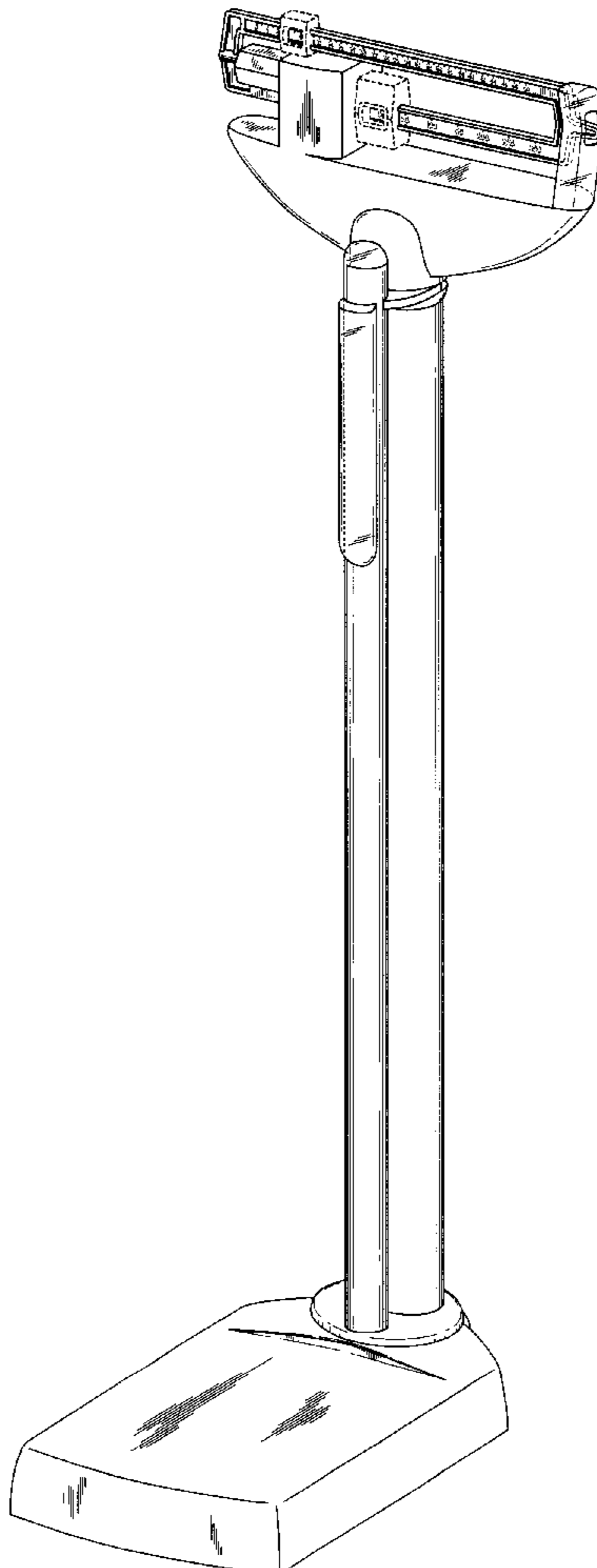
(56) **References Cited**

The broken line showing is for illustrative purposes only and forms no part of the claimed design.

U.S. PATENT DOCUMENTS

D139,923 S * 1/1945 Dreyfuss D10/93

1 Claim, 6 Drawing Sheets



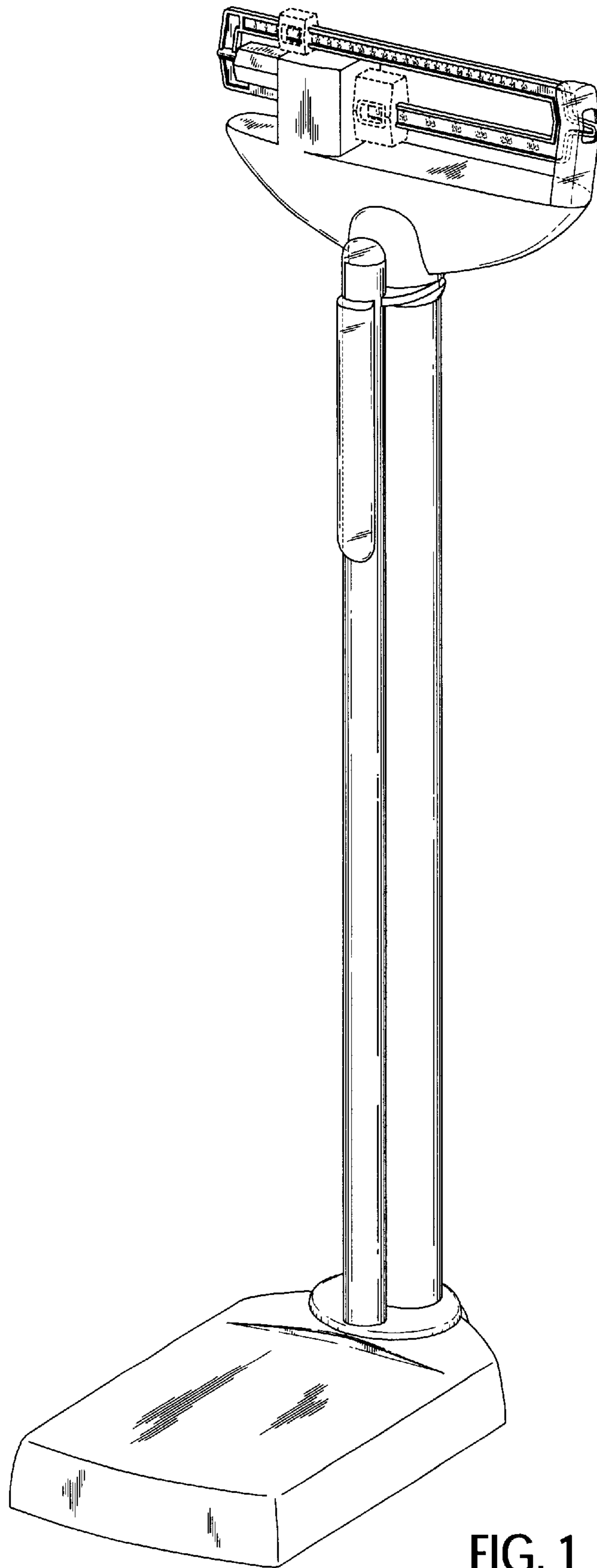


FIG. 1

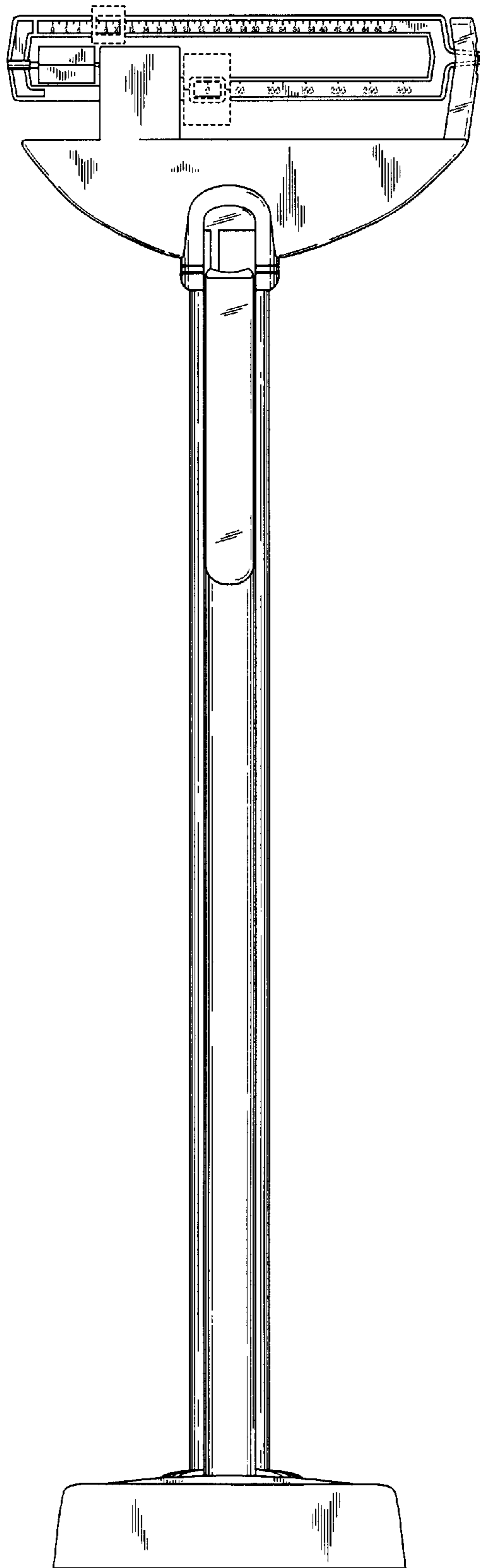


FIG. 2

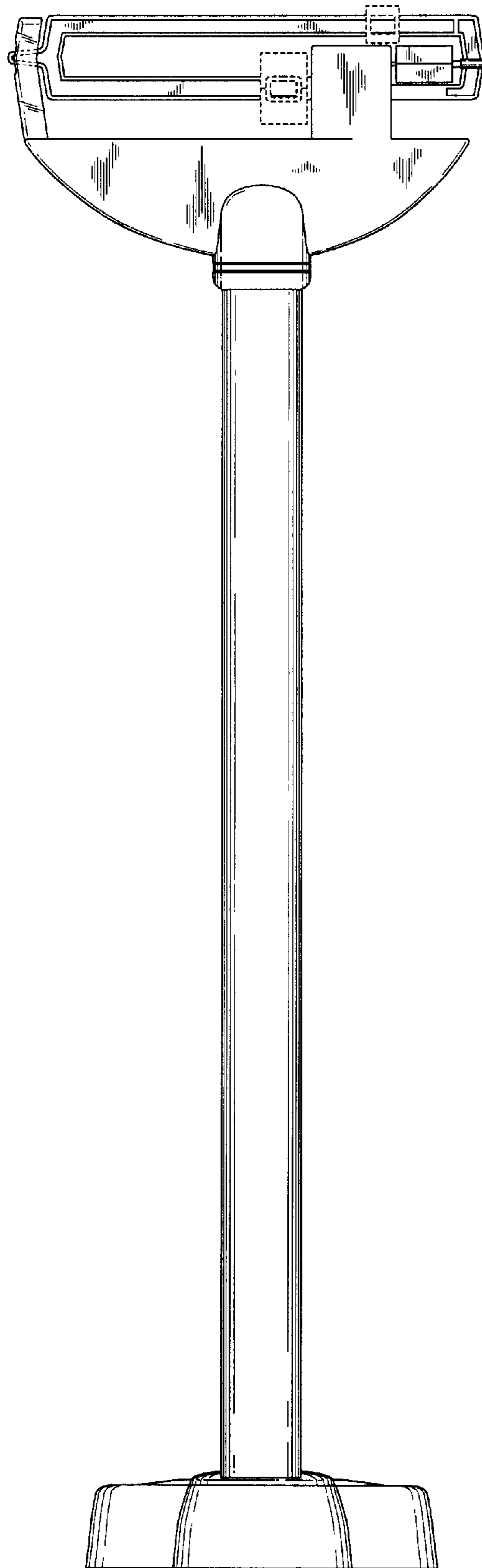


FIG. 3

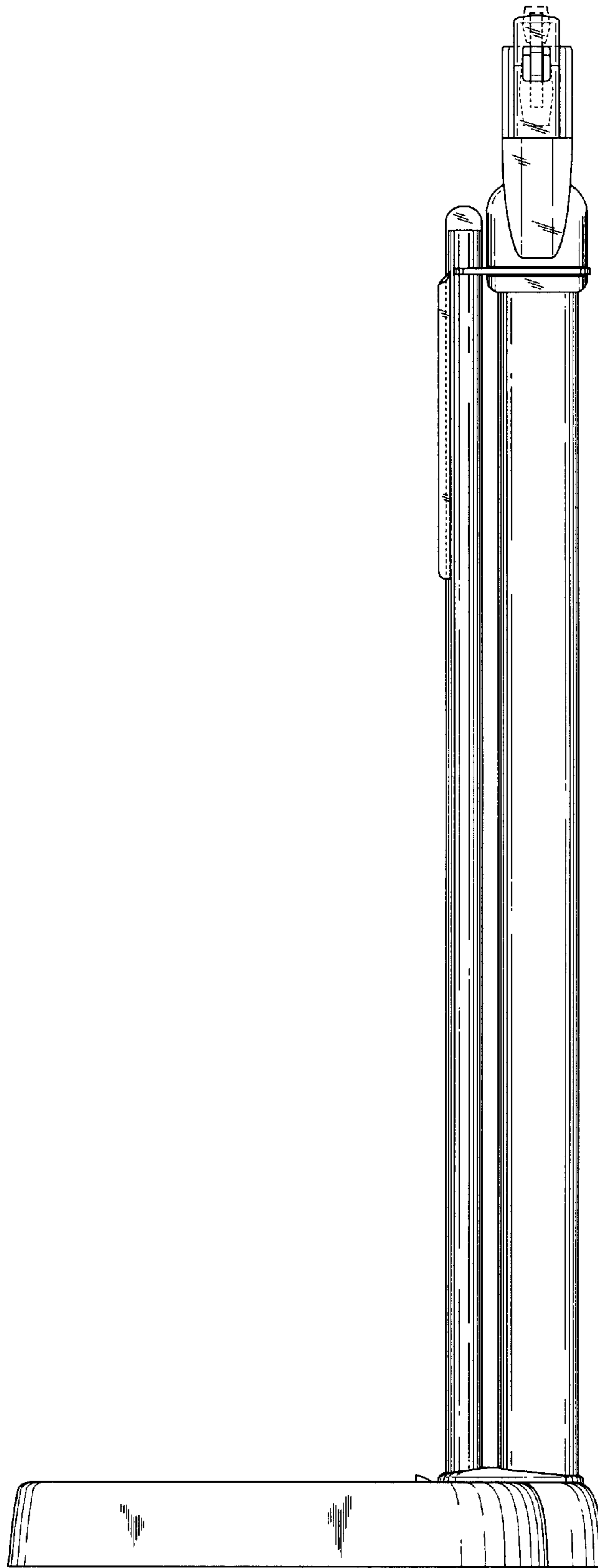


FIG. 4

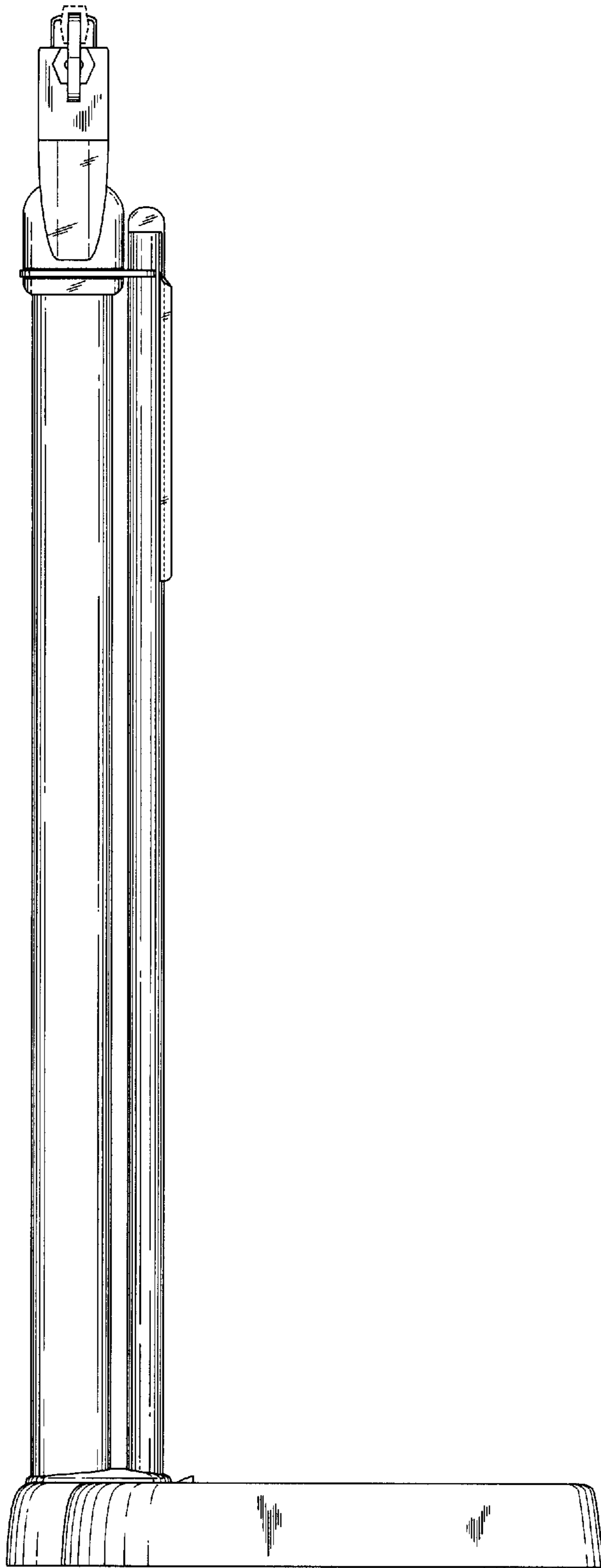


FIG. 5

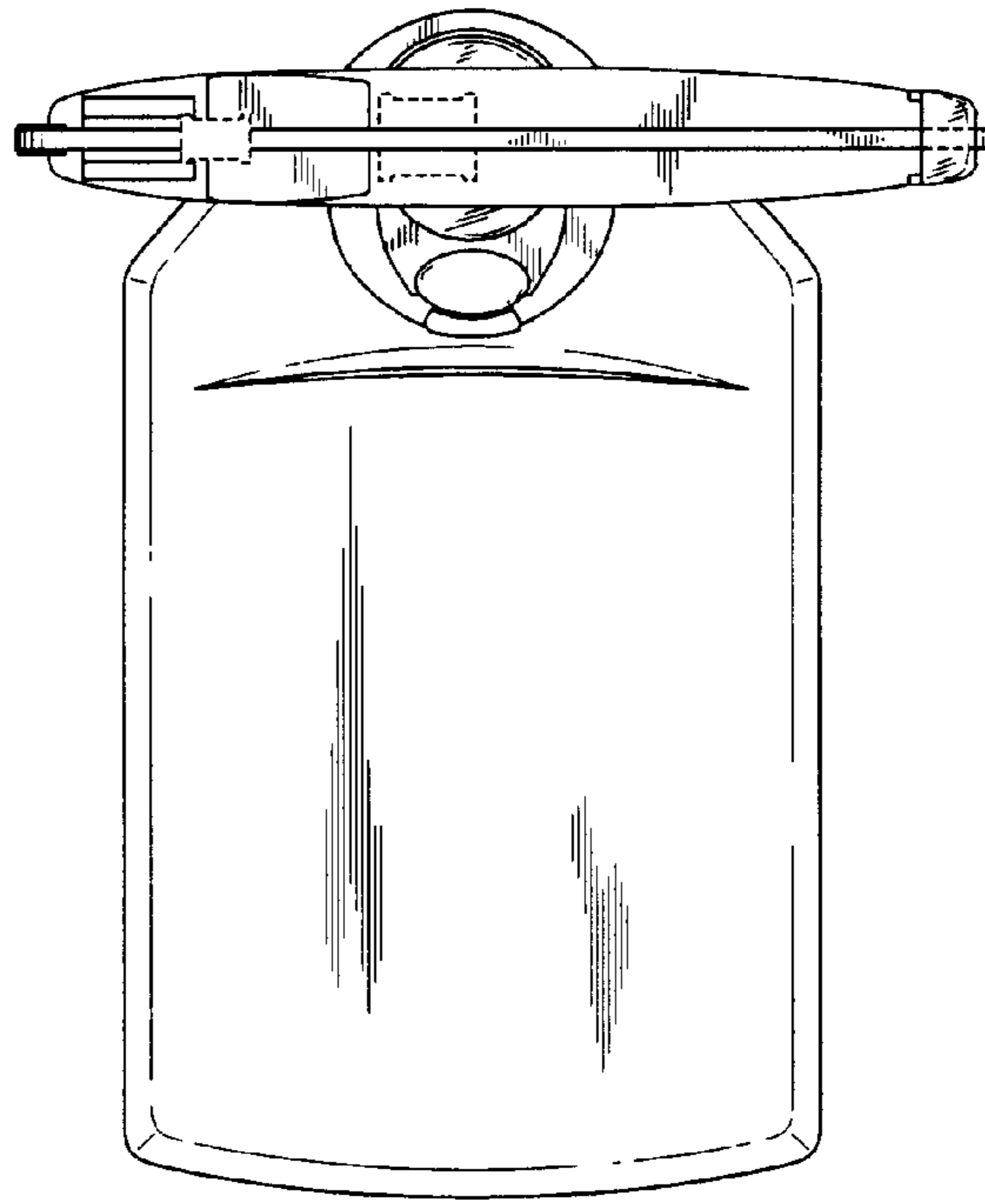


FIG. 6

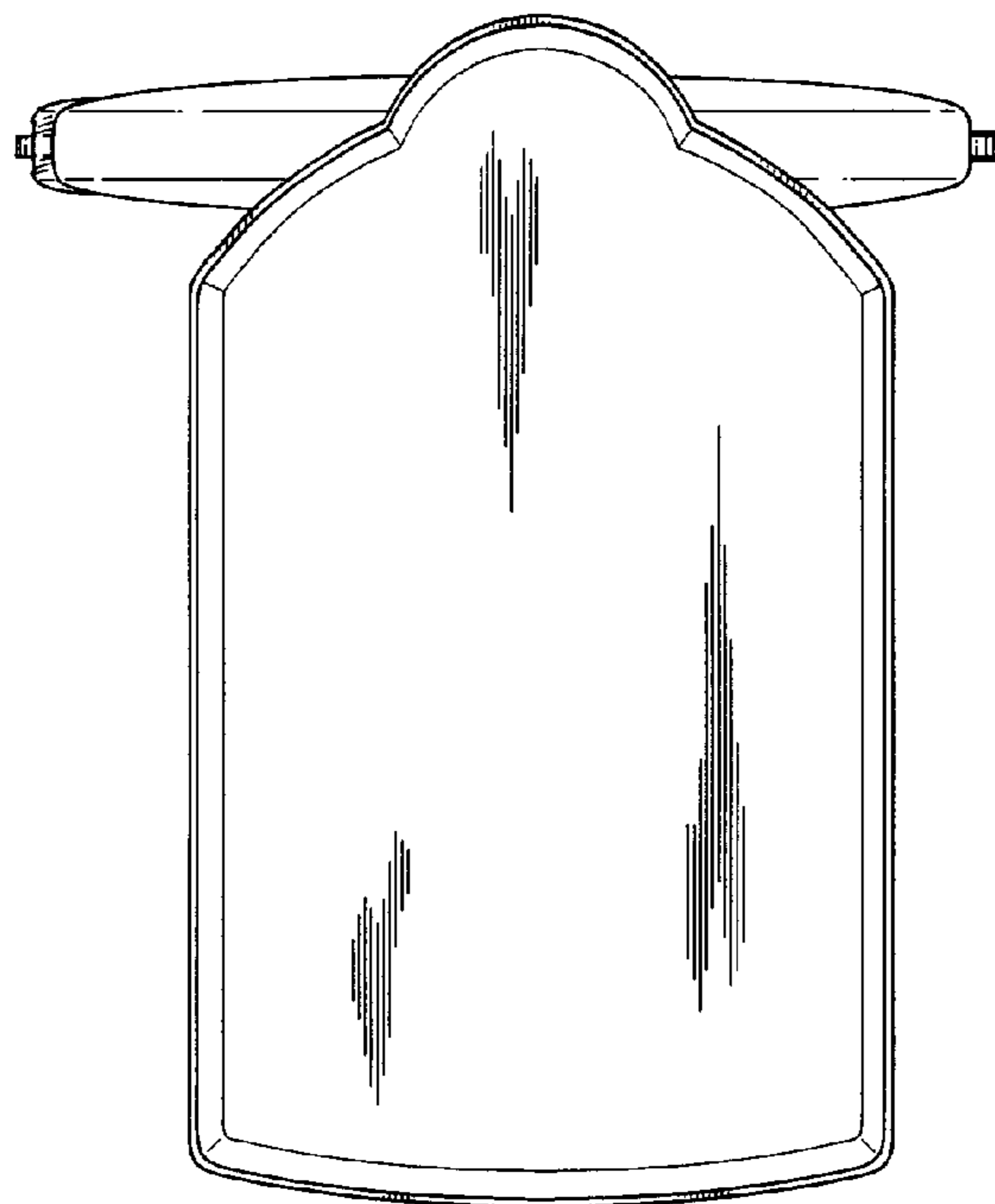


FIG. 7