



US00D456290S

(12) **United States Design Patent**  
**Gunji et al.**

(10) **Patent No.:** **US D456,290 S**

(45) **Date of Patent:** **\*\* Apr. 30, 2002**

(54) **PRESSURE DETECTION SWITCH**

D400,456 S \* 11/1998 Inoue ..... D10/85

(75) Inventors: **Ken Gunji; Kenji Irokawa**, both of Ibaraki-ken (JP)

\* cited by examiner

(73) Assignee: **SMC Kabushiki Kaisha**, Tokyo (JP)

*Primary Examiner*—Antoine Duval Davis

(\*\*) Term: **14 Years**

(74) *Attorney, Agent, or Firm*—Frishauf, Holtz, Goodman, Langer & Chick, P.C.

(21) Appl. No.: **29/140,396**

(22) Filed: **Apr. 17, 2001**

(57) **CLAIM**

The ornamental design for a pressure detection switch, as shown and described.

(30) **Foreign Application Priority Data**

**DESCRIPTION**

Oct. 26, 2000 (JP) ..... 2000-030614

(51) **LOC (7) Cl.** ..... **10-04**

(52) **U.S. Cl.** ..... **D10/85**

(58) **Field of Search** ..... D10/85; 200/82 A, 200/82 C, 82 D, 83 P, 83 N, 83 R, 83 Q, 83 W, 832, 835, 83 E, 83 J, 306

FIG. 1 is a front, bottom and left side perspective view of a pressure detection switch, showing our new design;

FIG. 2 is a front view thereof;

FIG. 3 is a rear view thereof;

FIG. 4 is a top plan view thereof, the bottom plan view being a mirror image of the top plan view; and,

FIG. 5 is a right side view thereof, the left side view being a mirror image of the right side view.

(56) **References Cited**

**U.S. PATENT DOCUMENTS**

5,108,265 A \* 4/1992 Kolke ..... 200/82 C X

**1 Claim, 5 Drawing Sheets**

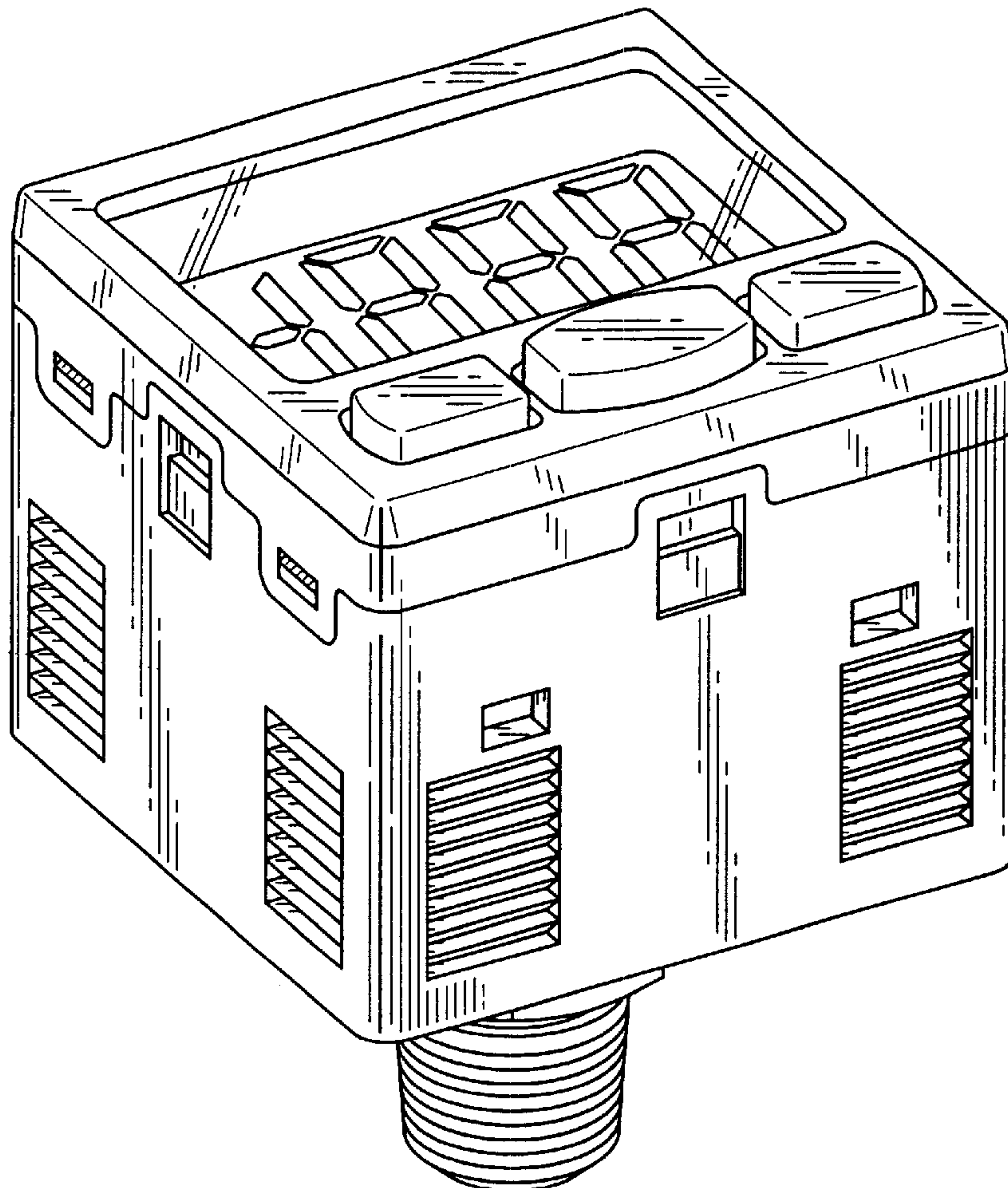


FIG. 1

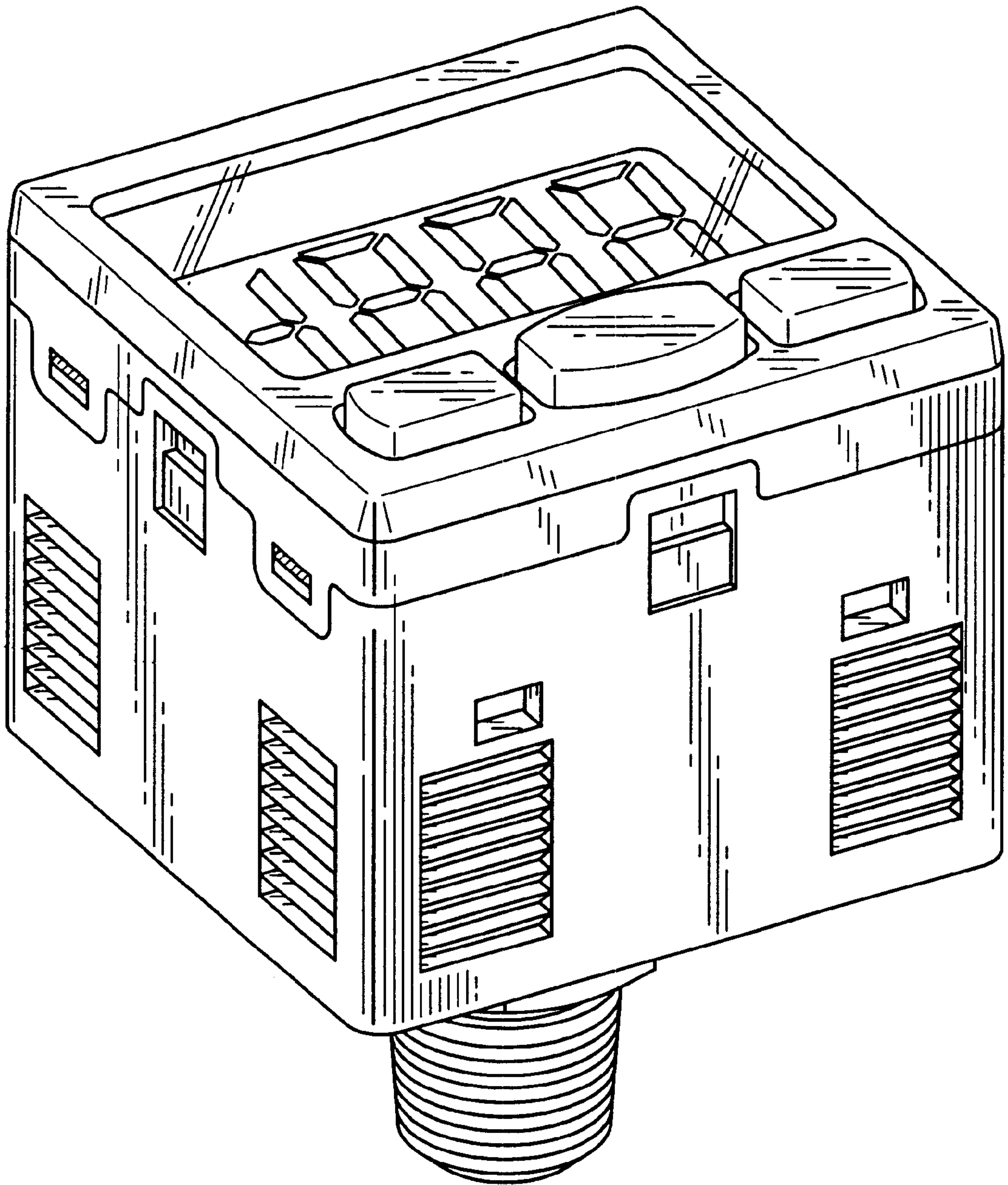


FIG. 2

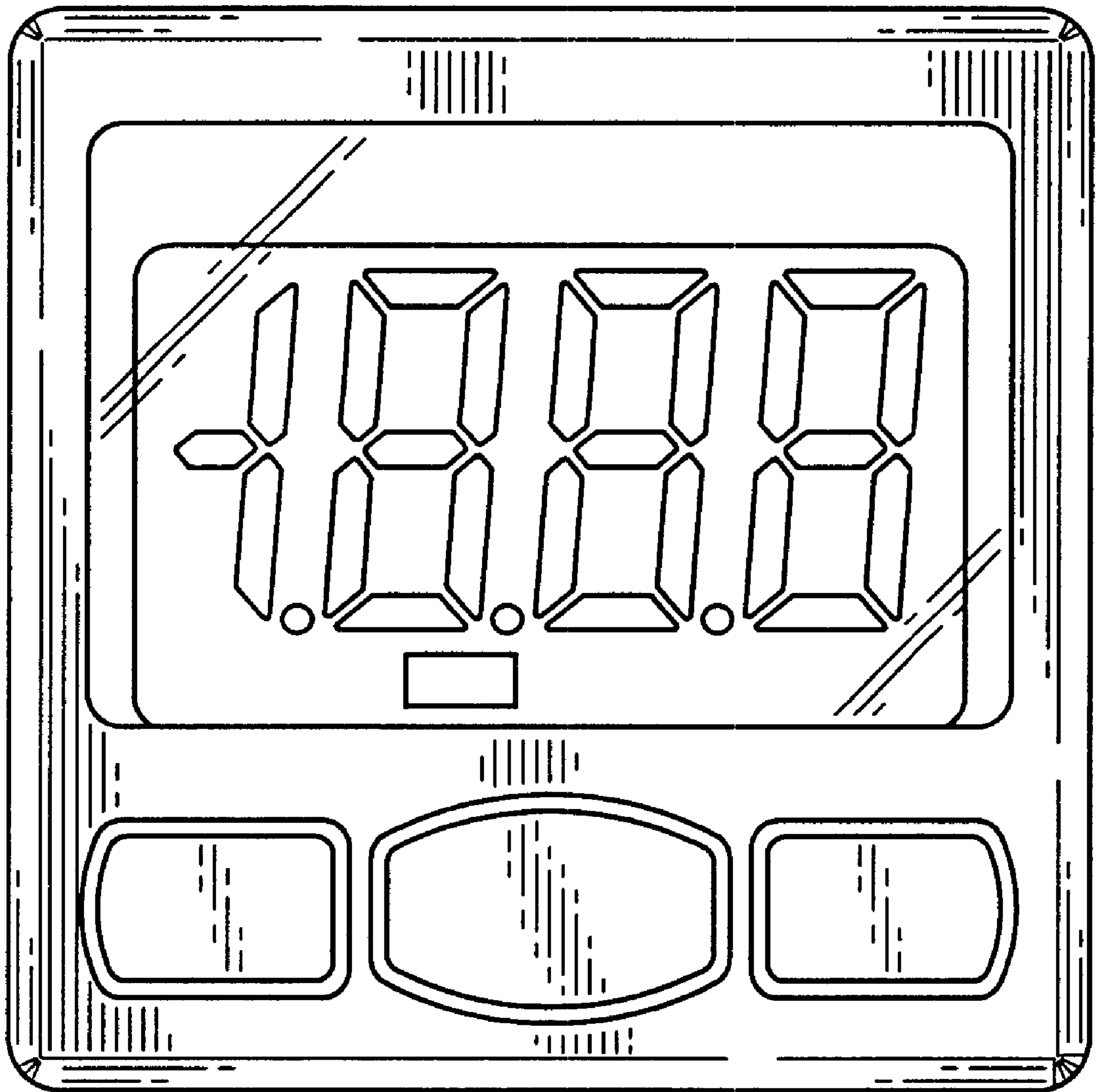


FIG. 3

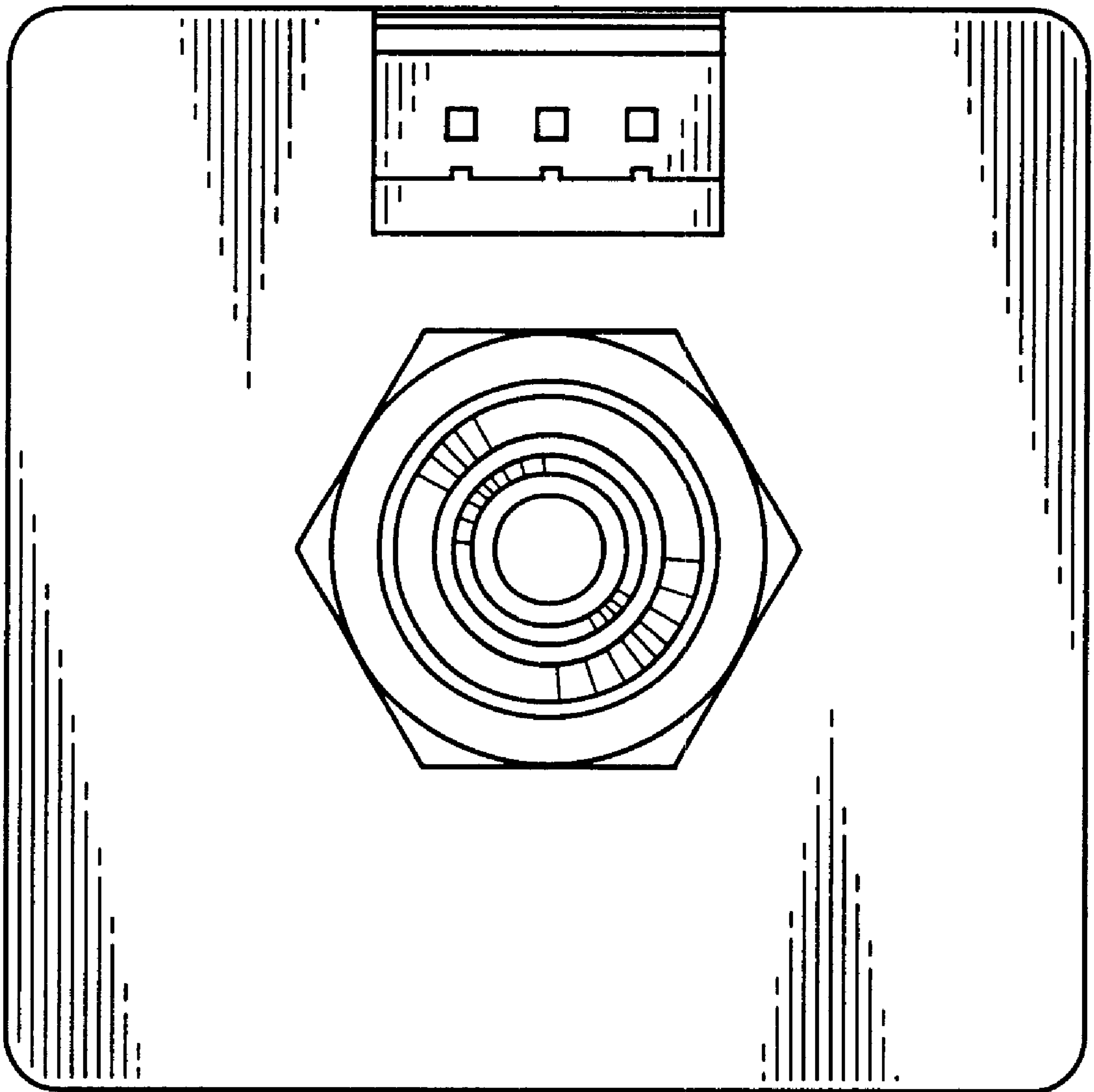


FIG. 4

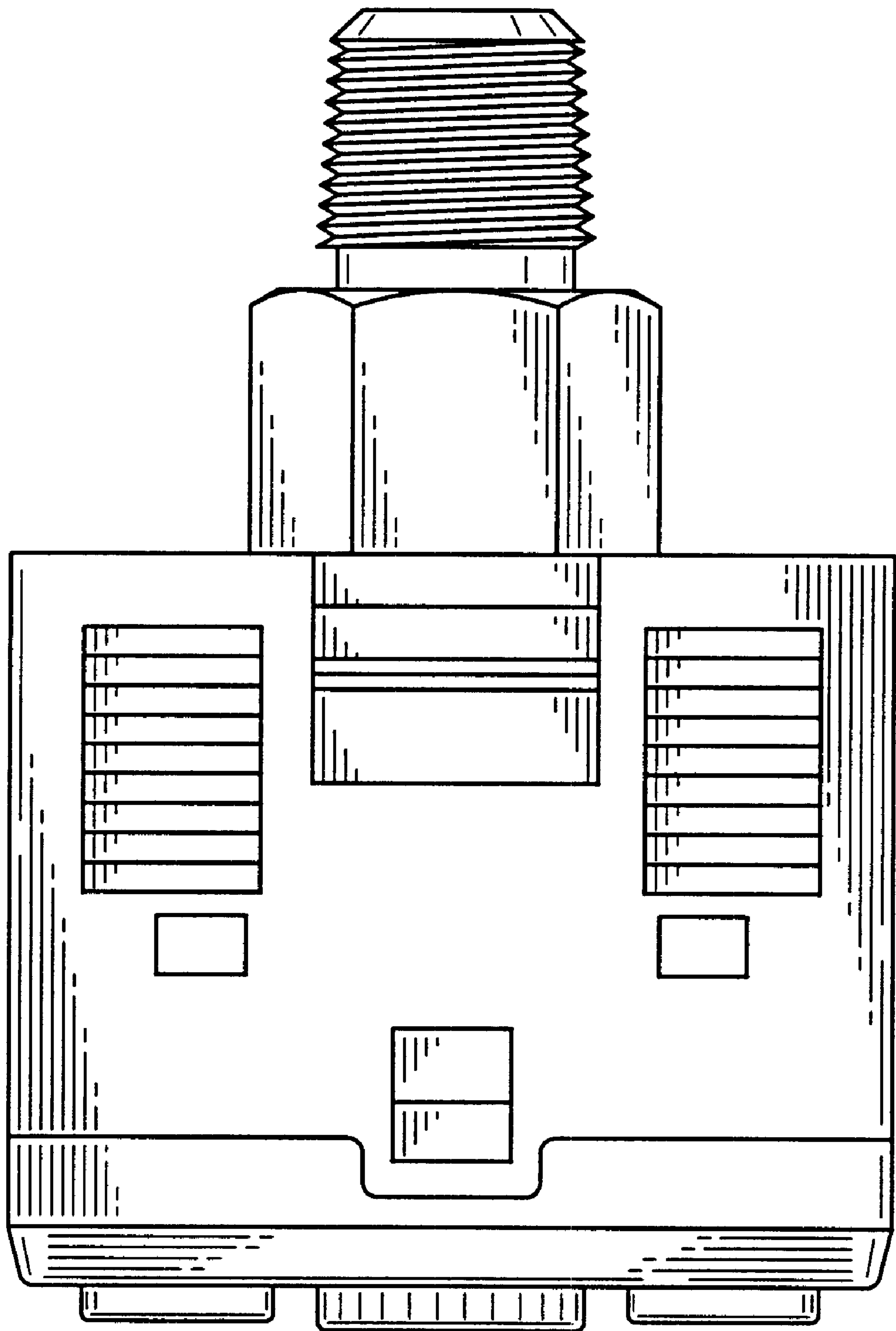




FIG. 5

