



US00D456288S

(12) **United States Design Patent**  
**Arispuro**

(10) **Patent No.:** **US D456,288 S**

(45) **Date of Patent:** **\*\* Apr. 30, 2002**

(54) **TRACKING AND INDICATING DEVICE**

D417,201 S \* 11/1999 Davis ..... D10/65

(76) **Inventor:** **Jesse Arispuro**, 708 S. Prospect #3,  
Redondo Beach, CA (US) 90277

\* cited by examiner

(\*\*) **Term:** **14 Years**

*Primary Examiner*—Antoine Duval Davis  
(74) *Attorney, Agent, or Firm*—Goldstein Law Offices, P.C.

(21) **Appl. No.:** **29/141,011**

(57) **CLAIM**

(22) **Filed:** **Apr. 27, 2001**

The ornamental design for a tracking and indicating device,  
as shown and described.

(51) **LOC (7) Cl.** ..... **10-04**

**DESCRIPTION**

(52) **U.S. Cl.** ..... **D10/65; D10/70**

(58) **Field of Search** ..... D10/65, 70; 340/539,  
340/540, 525, 573, 691, 825.36, 825.49;  
342/419

FIG. 1 is a front elevational view of a tracking and indicating device.

FIG. 2 is a rear elevational view thereof.

FIG. 3 is a right side elevational view thereof, the left side  
elevational view being a mirror image of the right side view.

FIG. 4 is a top plan view thereof; and,

FIG. 5 is a bottom plan view thereof.

(56) **References Cited**

**U.S. PATENT DOCUMENTS**

5,289,163 A \* 2/1994 Rerez et al. .... 340/539  
D395,250 S \* 6/1998 Kabler et al. .... D10/65

**1 Claim, 2 Drawing Sheets**

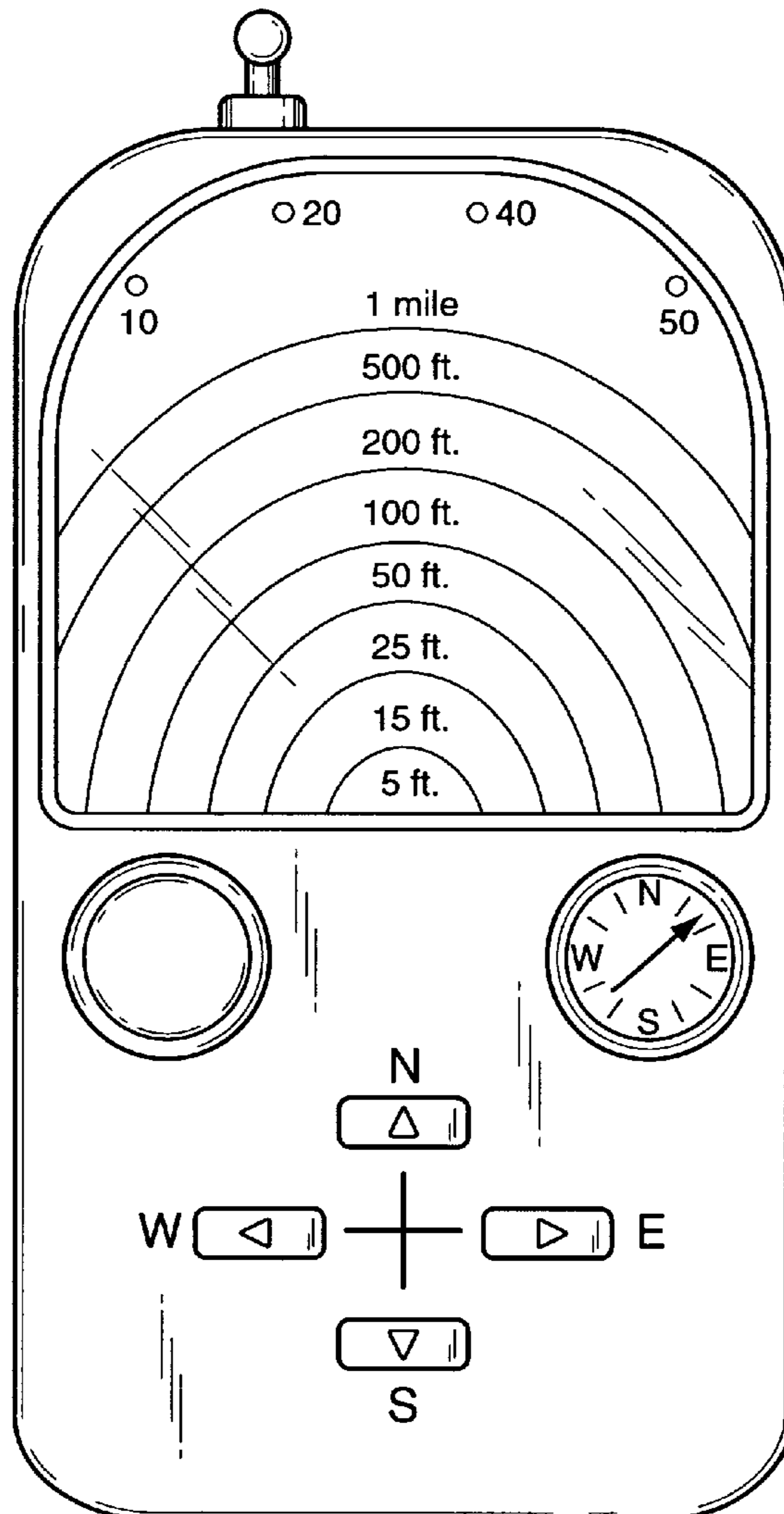


fig. 1

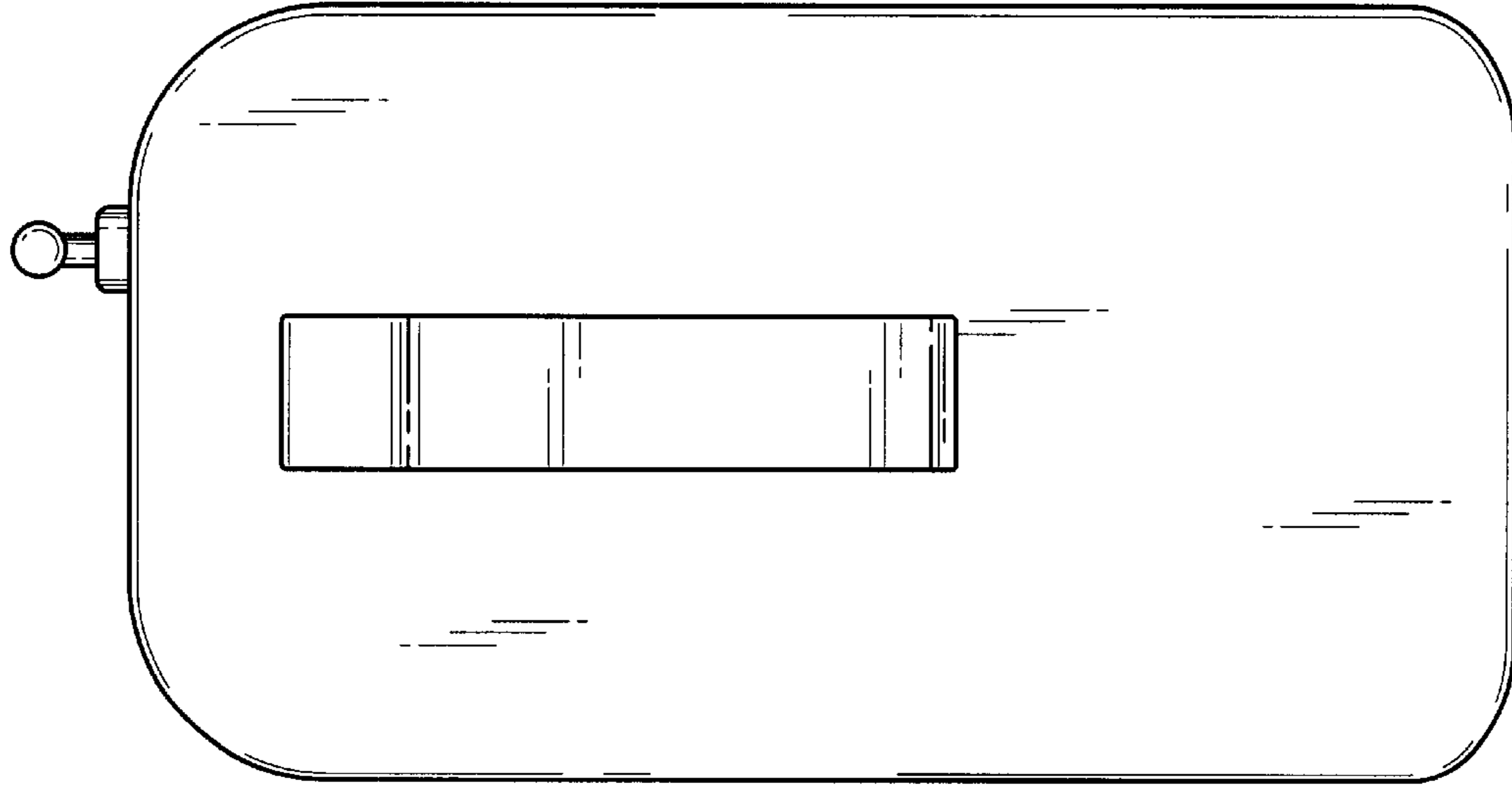
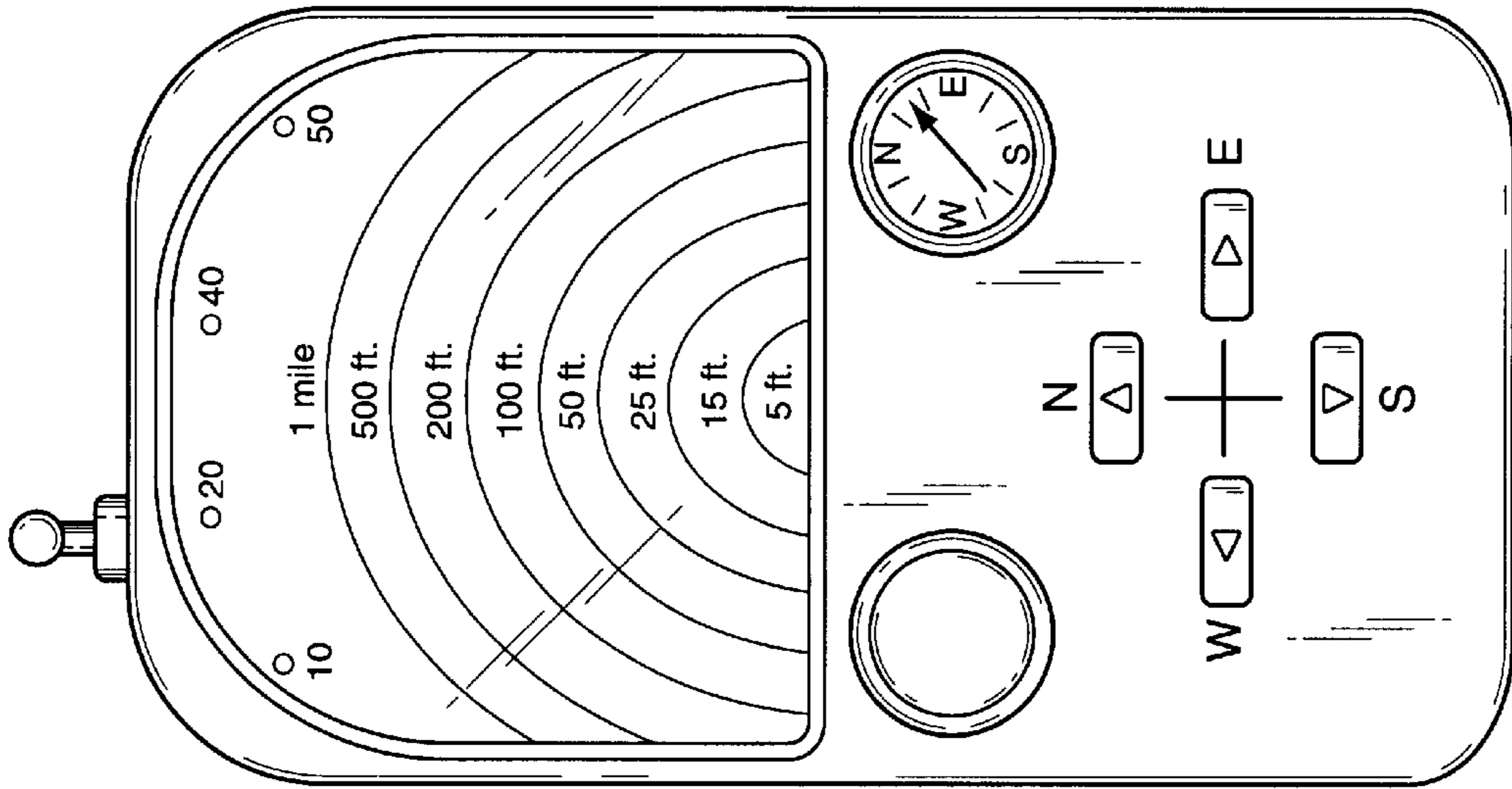


fig. 2

fig. 3

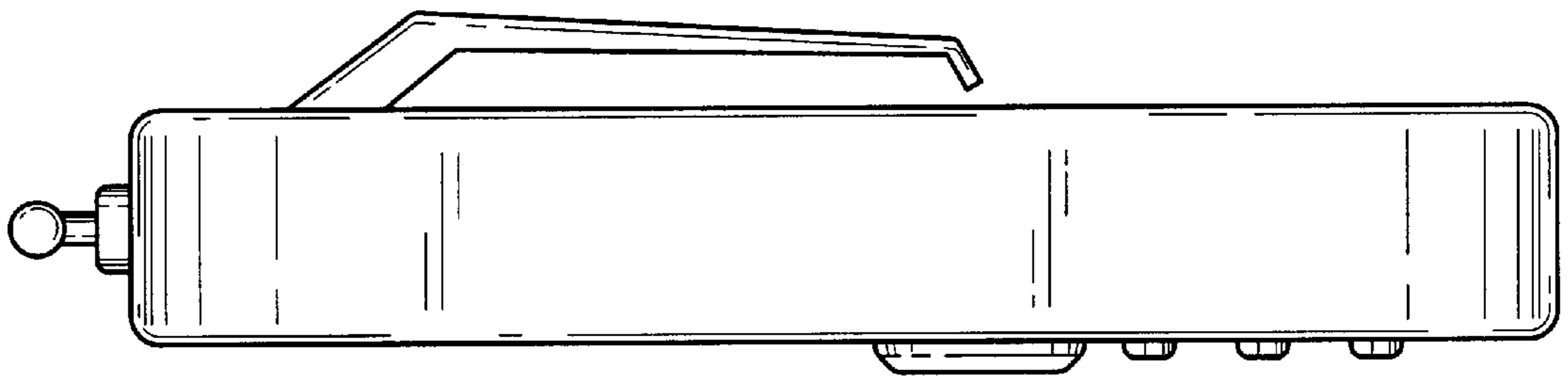


fig. 4

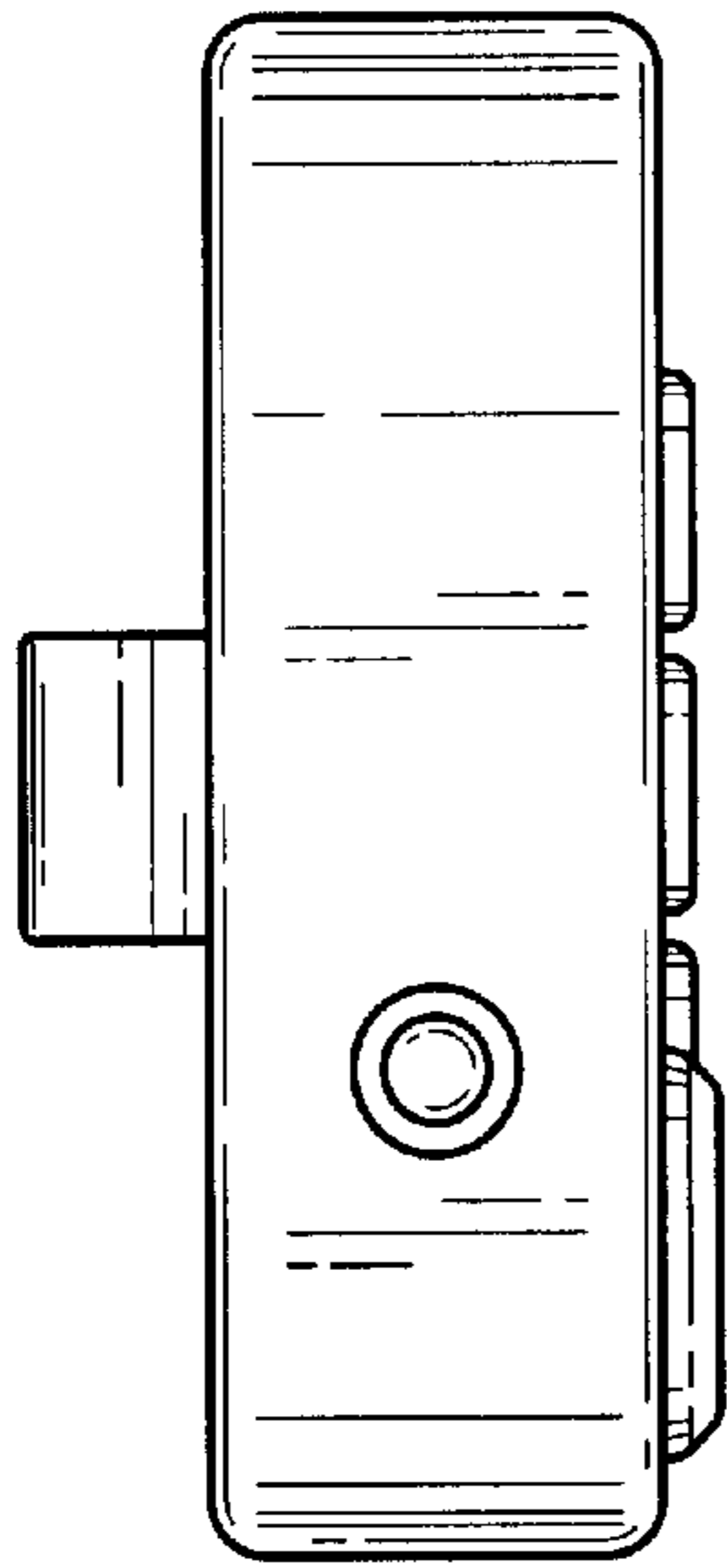


fig. 5

