



US00D456285S

(12) **United States Design Patent**  
**Lee**

(10) **Patent No.:** **US D456,285 S**

(45) **Date of Patent:** **\*\* Apr. 30, 2002**

(54) **BARBECUE FORK**

(76) Inventor: **Feng-Nien Lee**, 285, Zhong-Feng Rd.,  
Ping-Zhen City (TW)

(\*\*) Term: **14 Years**

(21) Appl. No.: **29/140,217**

(22) Filed: **Apr. 16, 2001**

(51) **LOC (7) Cl.** ..... **10-04**

(52) **U.S. Cl.** ..... **D10/57**

(58) **Field of Search** ..... D10/57; D1/683,  
D1/643, 644; 374/141, 155, 208

(56) **References Cited**

**U.S. PATENT DOCUMENTS**

D405,705 S	*	2/1999	Norcross	.....	D10/57
D412,126 S	*	7/1999	Aquilina	.....	D10/57
D428,566 S	*	7/2000	Lai	.....	D10/57 X

\* cited by examiner

*Primary Examiner*—Antoine Duval Davis  
(74) *Attorney, Agent, or Firm*—Charles E. Baxley

(57) **CLAIM**

The ornamental design for a barbecue fork, as shown and described.

**DESCRIPTION**

FIG. 1 is a perspective view of a barbecue fork showing my new design;

FIG. 2 is a front elevational view thereof; the rear elevational view being identical to that shown;

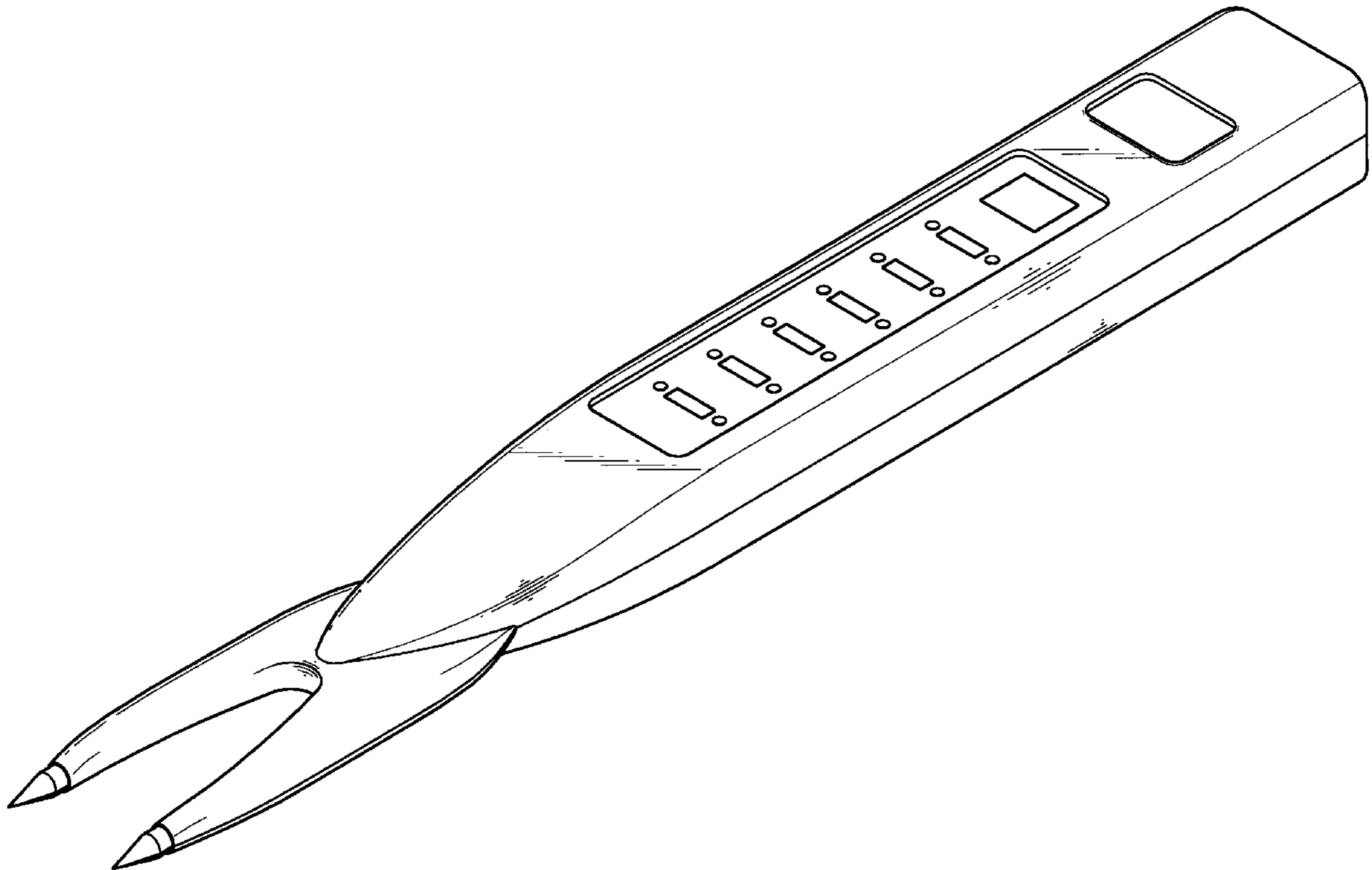
FIG. 3 is a left side elevational view thereof;

FIG. 4 is a right side elevational view thereof;

FIG. 5 is a top plan view thereof; and,

FIG. 6 is a bottom plan view thereof.

**1 Claim, 5 Drawing Sheets**



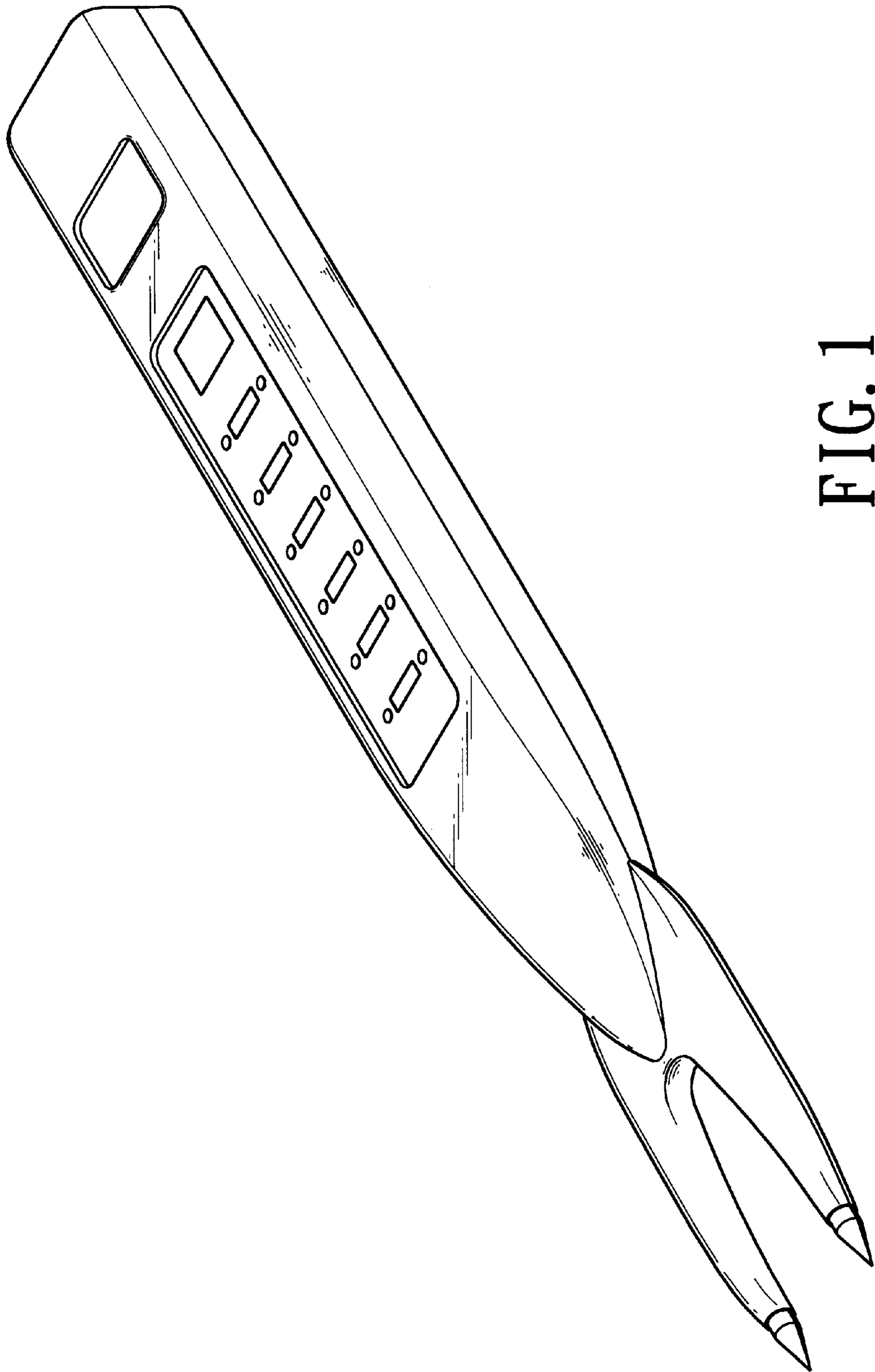


FIG. 1

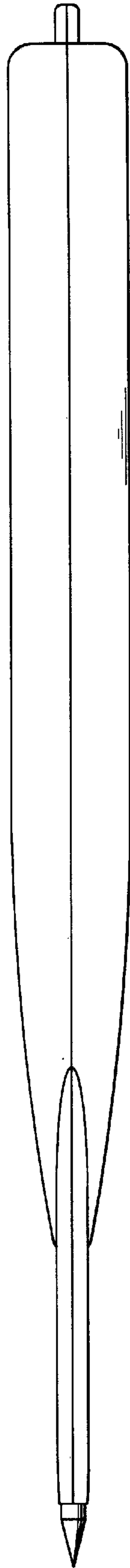


FIG. 2

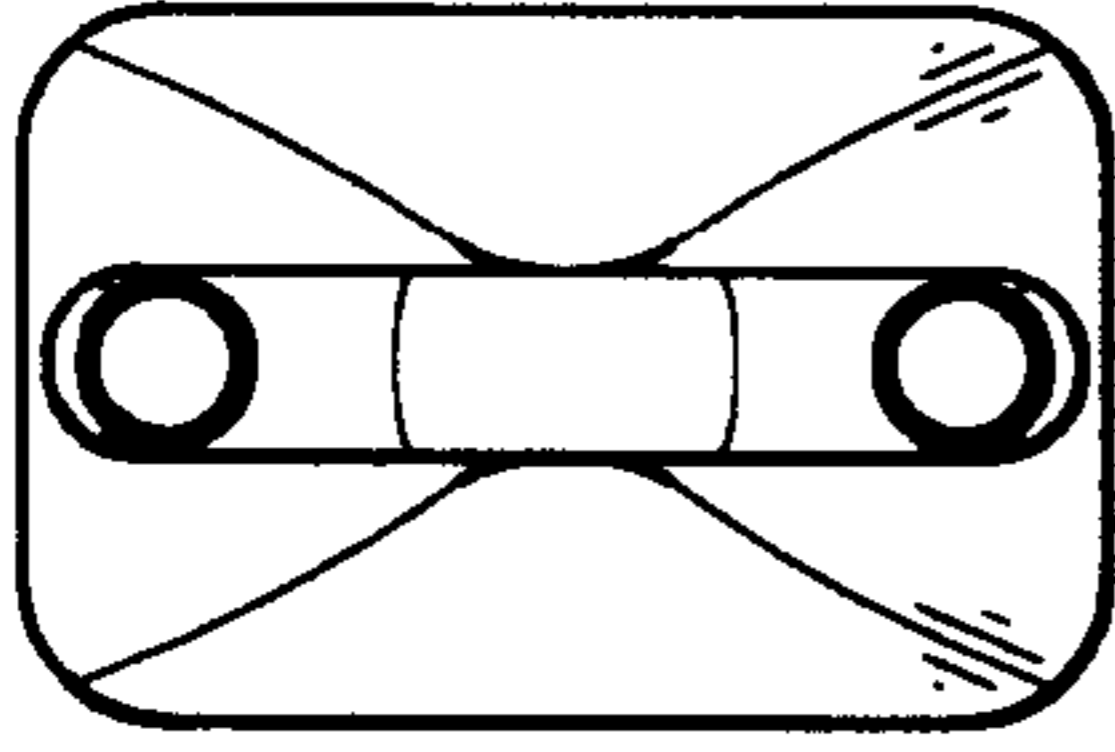


FIG. 3

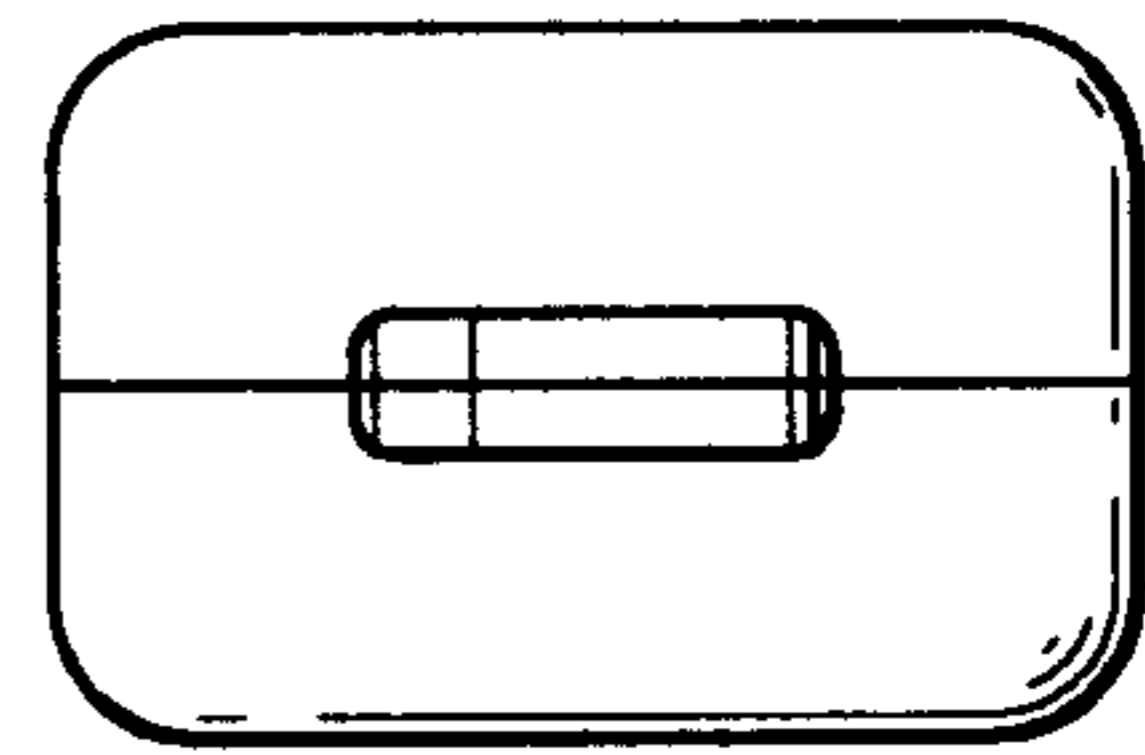


FIG. 4

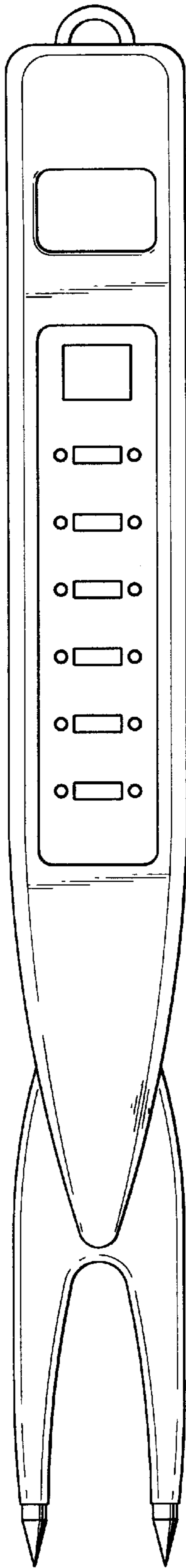


FIG. 5

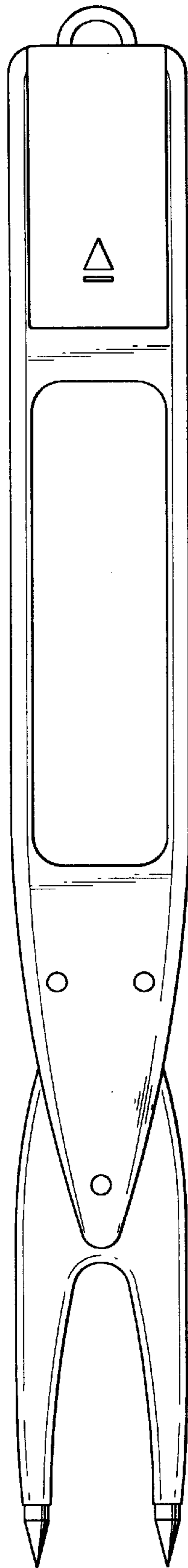


FIG. 6