



US00D456276S

(12) **United States Design Patent**
Shiraishi

(10) **Patent No.:** **US D456,276 S**

(45) **Date of Patent:** **** Apr. 30, 2002**

(54) **WATCH CASE**

(75) **Inventor:** **Shunya Shiraishi, Tachikawa (JP)**

(73) **Assignee:** **Casio Keisanki Kabushiki Kaisha, Tokyo (JP)**

(**) **Term:** **14 Years**

(21) **Appl. No.:** **29/142,564**

(22) **Filed:** **May 29, 2001**

(51) **LOC (7) Cl.** **10-02**

(52) **U.S. Cl.** **D10/30**

(58) **Field of Search** D10/1-40, 122-132;
368/41-44, 82-84, 28-30, 239-242, 276-277,
280-282, 285

(56) **References Cited**

U.S. PATENT DOCUMENTS

D237,149 S	*	10/1975	Watanabe	D10/38
D387,679 S	*	12/1997	Hanagata	D10/31
D394,397 S	*	5/1998	Goto	D10/30
D394,401 S	*	5/1998	Moriai et al.	D10/30
D394,404 S	*	5/1998	Ishizaka et al.	D10/38
D400,805 S	*	11/1998	Hanagata	D10/38
D401,162 S	*	11/1998	Ishizaka et al.	D10/31
D412,854 S	*	8/1999	Oshita	D10/30

D417,400 S	*	12/1999	Yamamoto	D10/30
D418,430 S	*	1/2000	Moriai	D10/30
D420,295 S	*	2/2000	Oshita	D10/30
D426,778 S	*	6/2000	Kojima	D10/30
D428,346 S	*	7/2000	Goto et al.	D10/30
D434,674 S	*	12/2000	Shiraishi	D10/30
D442,500 S	*	5/2001	Moriai	D10/30
D443,529 S	*	6/2001	Oshita	D10/30

* cited by examiner

Primary Examiner—Nelson C. Holtje

(74) *Attorney, Agent, or Firm*—Frishauf, Holtz, Goodman, Langer & Chick, P.C.

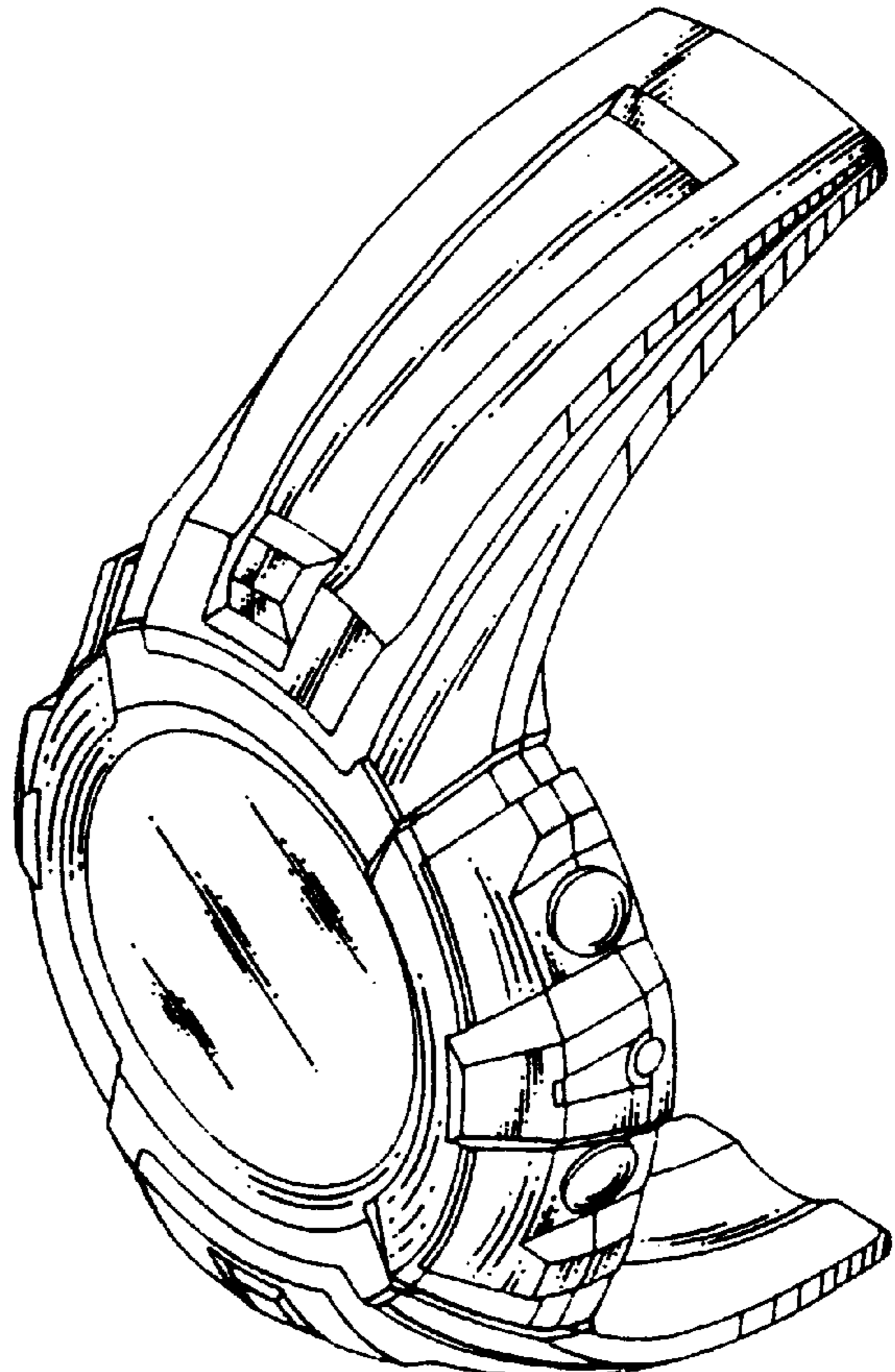
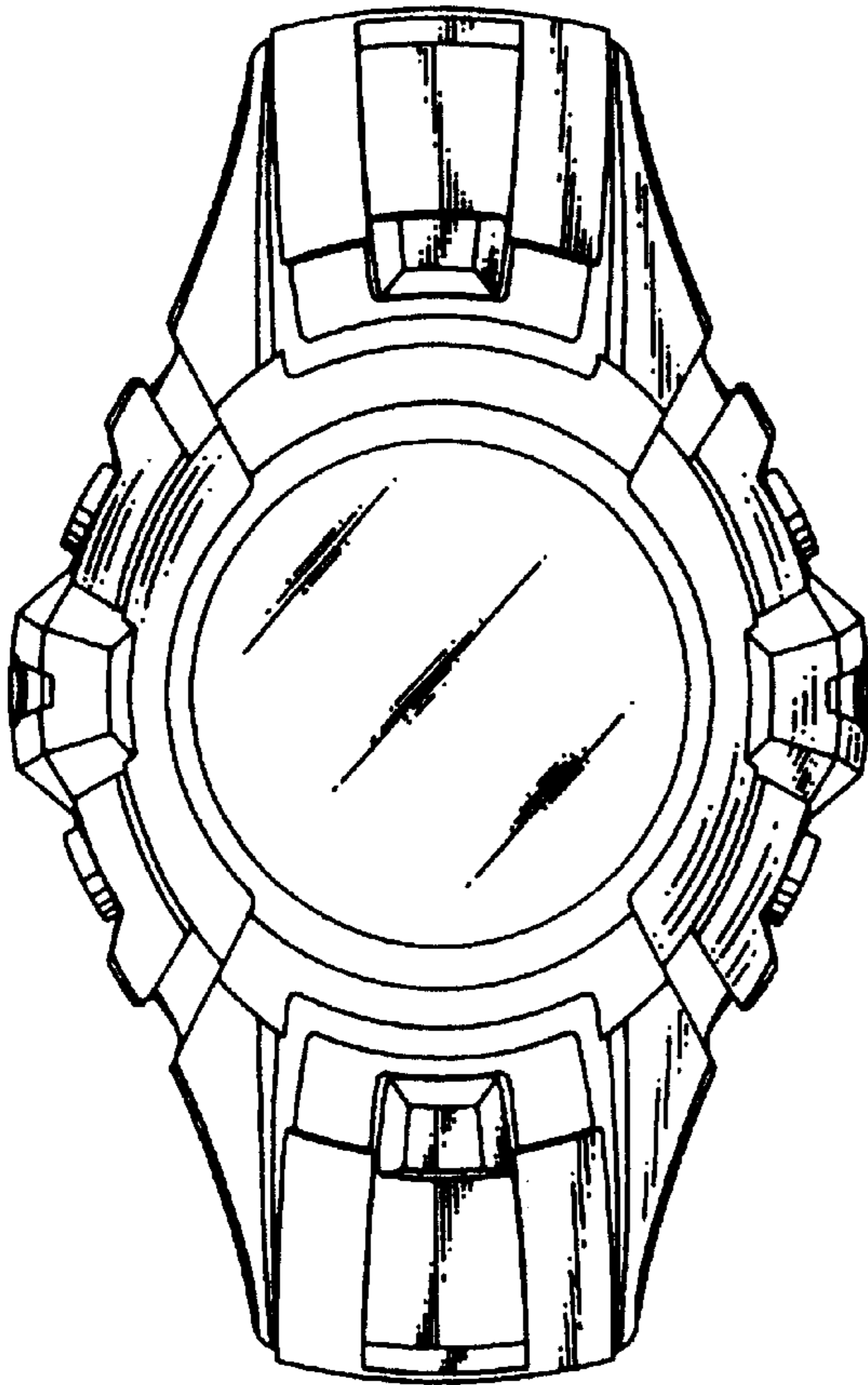
(57) **CLAIM**

The ornamental design for watch case, as shown and described.

DESCRIPTION

FIG. 1 is a front elevational view of a watch case showing my new design;
 FIG. 2 is a rear elevational view thereof;
 FIG. 3 is a right side view thereof, the left side view being a mirror image;
 FIG. 4 is a top plan view thereof;
 FIG. 5 is a bottom plan view thereof; and,
 FIG. 6 is a top,front,right side perspective view thereof.

1 Claim, 6 Drawing Sheets



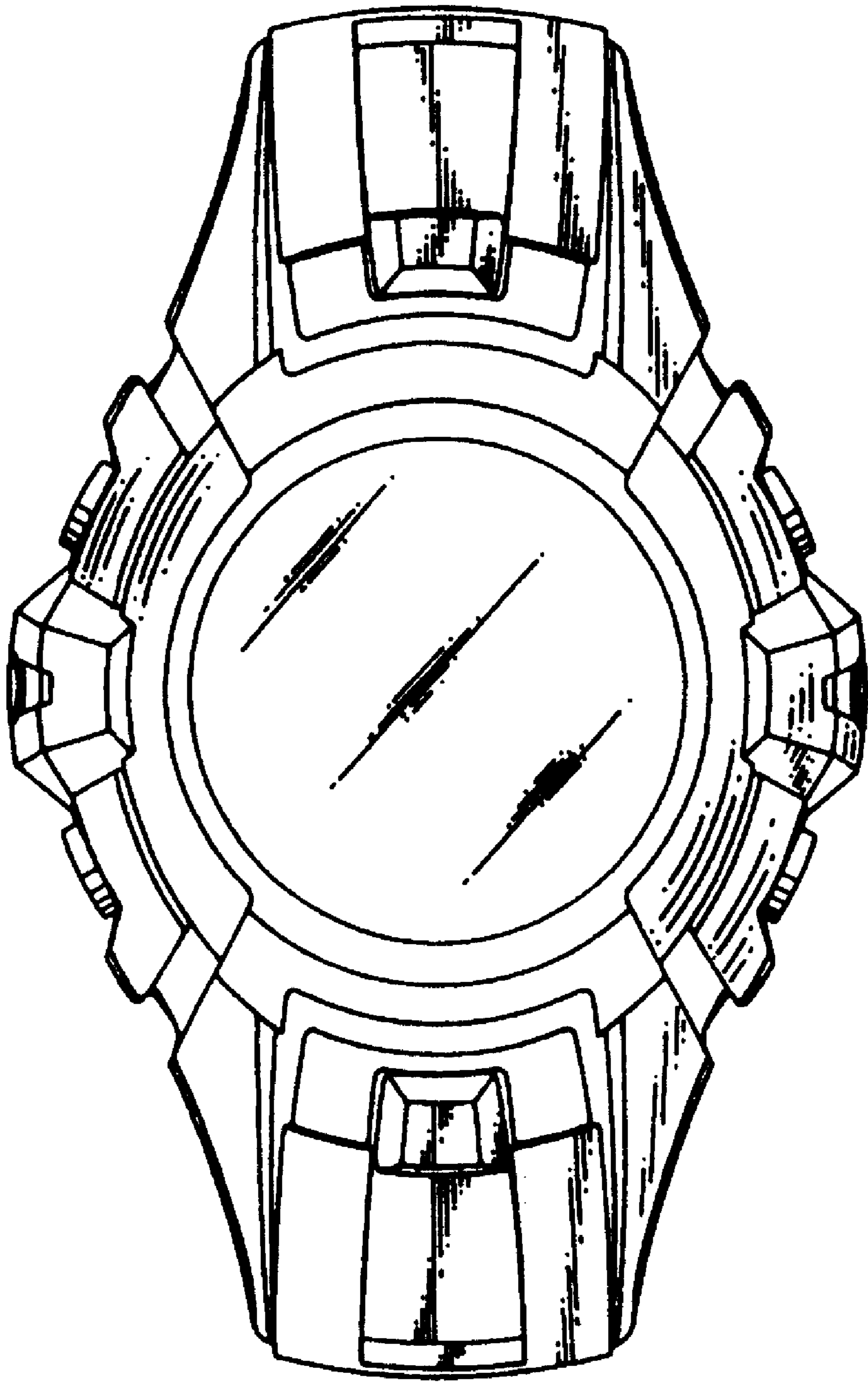


FIG. 1

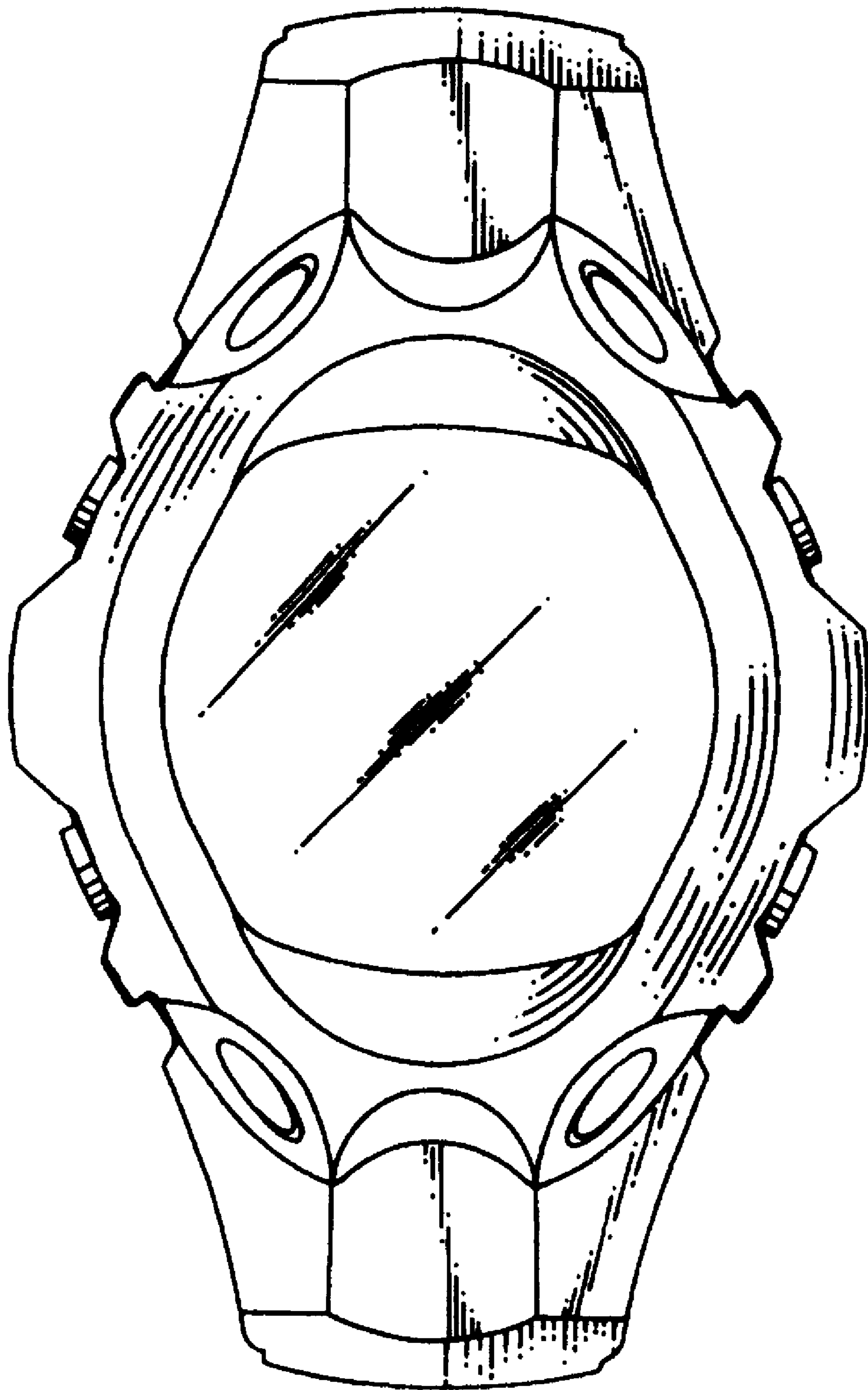


FIG. 2

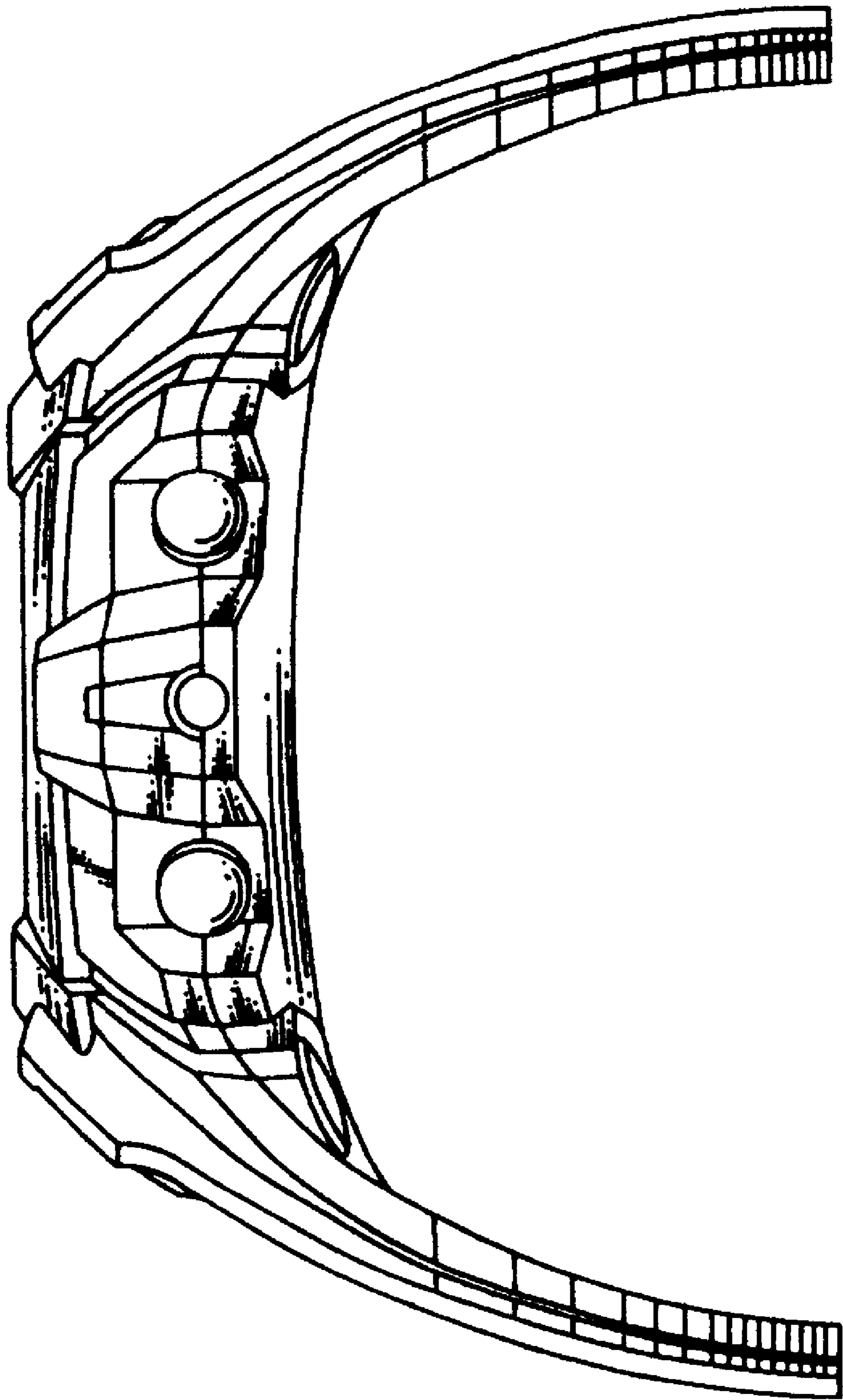


FIG. 3

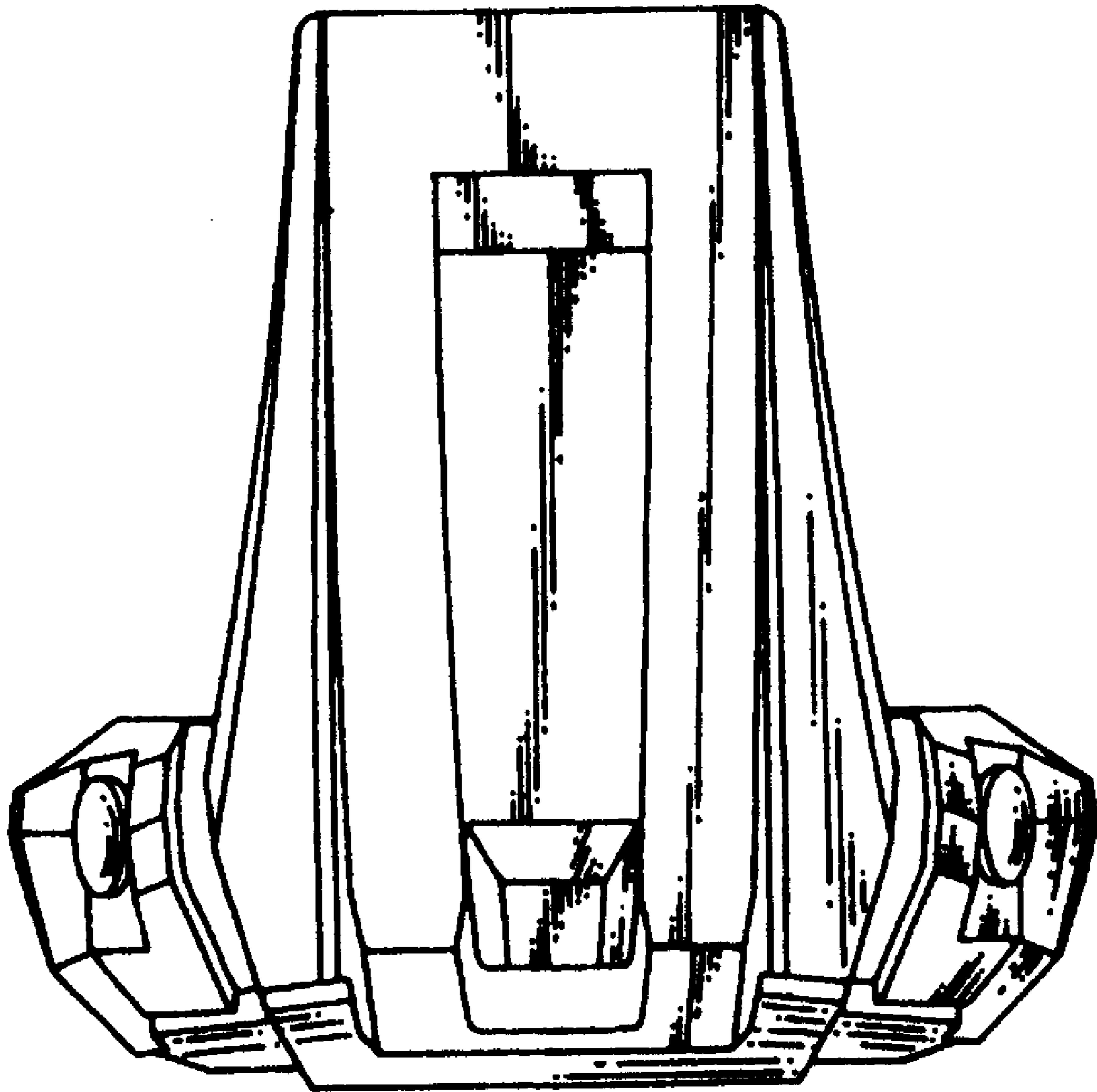


FIG. 4

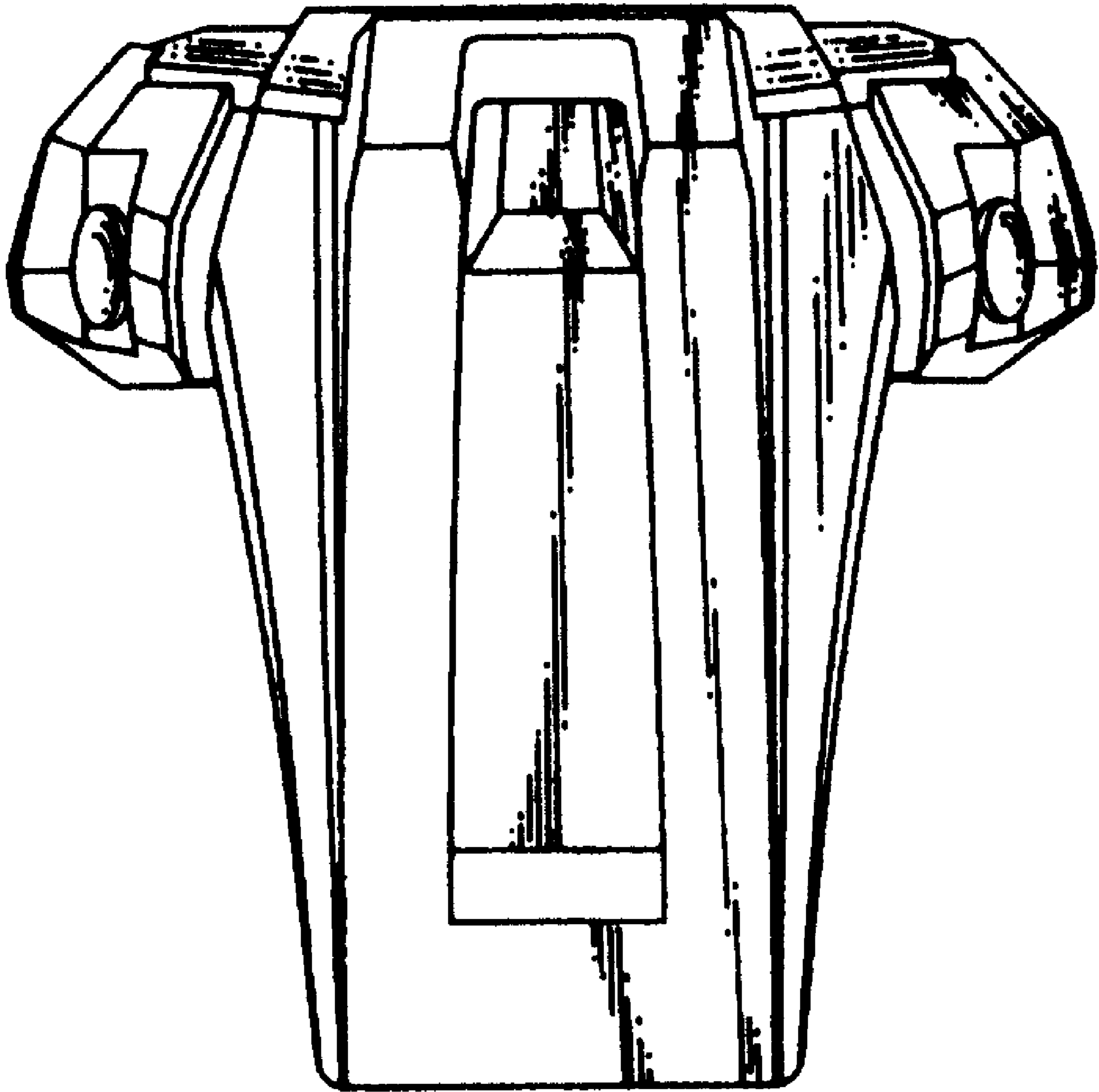


FIG. 5

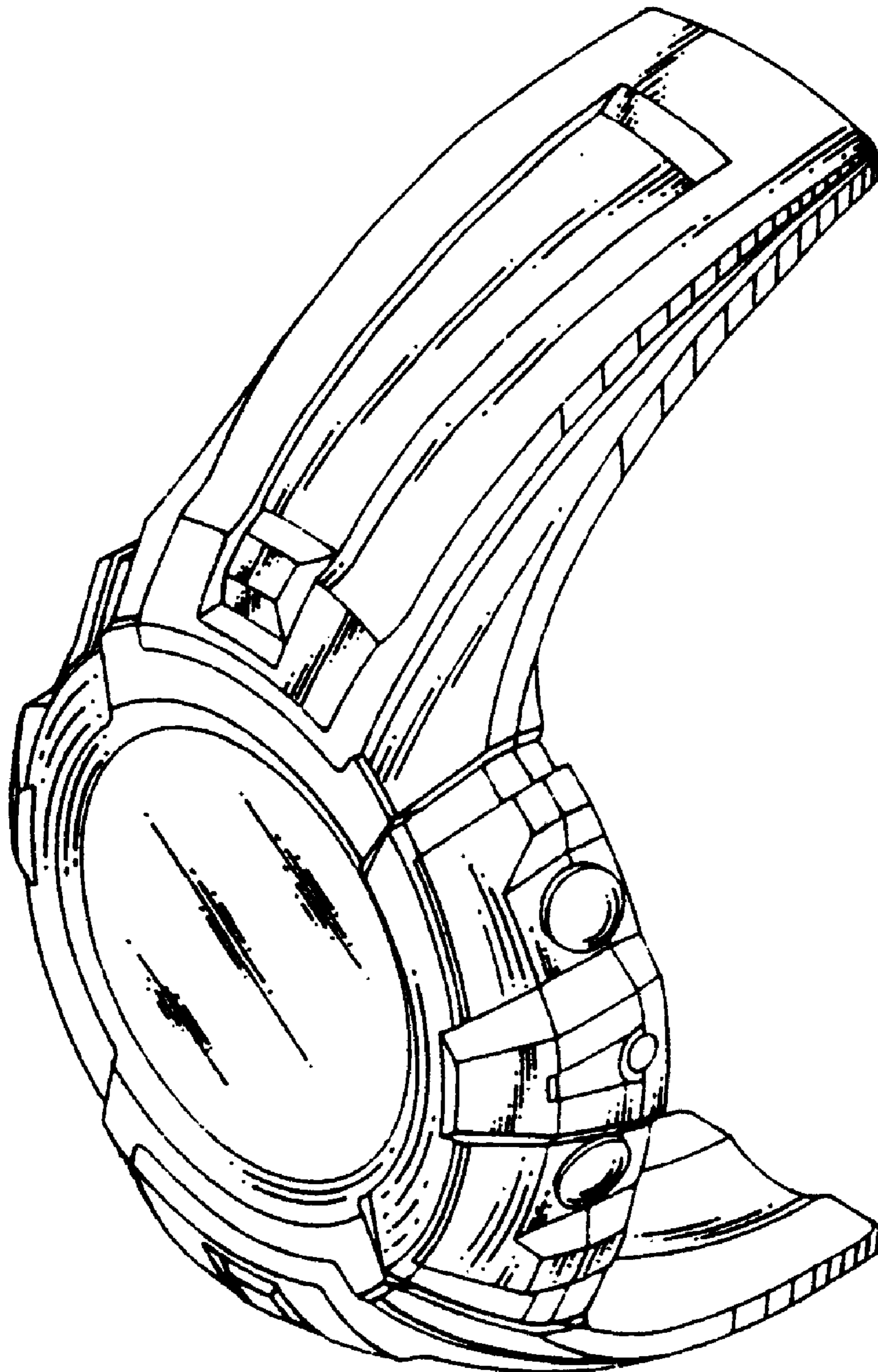


FIG. 6