



US00D456262S

(12) **United States Design Patent**  
**Cummings**

(10) **Patent No.:** **US D456,262 S**

(45) **Date of Patent:** **\*\* Apr. 30, 2002**

(54) **SPRAY PUMP HEAD**

6,164,565 A \* 12/2000 Adee et al. .... 239/333  
D447,415 S \* 9/2001 Spengler ..... D9/448

(75) Inventor: **Bruce Cummings**, New York, NY (US)

\* cited by examiner

(73) Assignee: **Colgate Palmolive Company**, New York, NY (US)

*Primary Examiner*—Dominic Simone

(74) *Attorney, Agent, or Firm*—Michael J. McGreal

(\*\*) Term: **14 Years**

(57) **CLAIM**

(21) Appl. No.: **29/145,147**

The ornamental design for a spray pump head, as shown and described.

(22) Filed: **Jul. 17, 2001**

**DESCRIPTION**

(51) **LOC (7) Cl.** ..... **09-07**

(52) **U.S. Cl.** ..... **D9/448**

(58) **Field of Search** ..... D9/380, 435, 447,  
D9/448; 239/271, 333, 383.1, 153.09

FIG. 1 is a perspective view of the spray pump head of my design.

FIG. 2 is a front elevation view thereof.

FIG. 3 is a rear elevation view thereof.

FIG. 4 is a left side elevation view thereof.

FIG. 5 is a right side elevation view thereof.

FIG. 6 is a top plan view thereof; and,

FIG. 7 is a bottom plan view thereof.

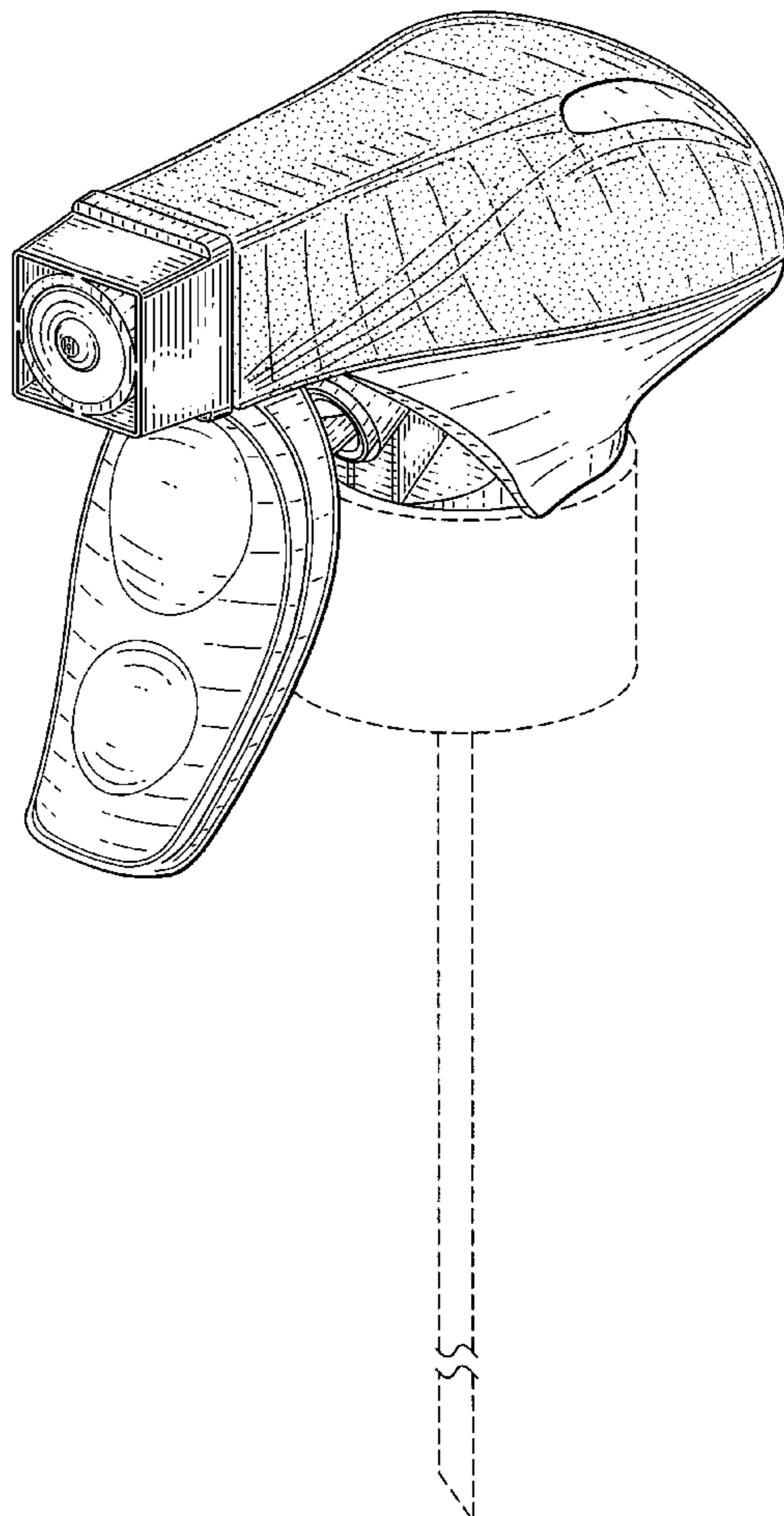
The stipled portions of the spray pump head are of a color other than a white with the non-stipled portions being a white color. The stipled portions provide a color contrast of the parts of the spray pump head design.

(56) **References Cited**

**U.S. PATENT DOCUMENTS**

3,061,202 A	*	10/1962	Tyler	.....	239/333
D275,078 S	*	8/1984	Wassergord	.....	D9/300
5,147,074 A	*	9/1992	Battegazzore	.....	222/383.1
5,642,860 A	*	7/1997	Bush et al.	.....	239/333
D400,102 S	*	10/1998	Tada	.....	D9/448
D409,918 S	*	5/1999	Wadsworth et al.	.....	D9/448
D421,388 S	*	3/2000	Cummings	.....	D9/448

**1 Claim, 7 Drawing Sheets**



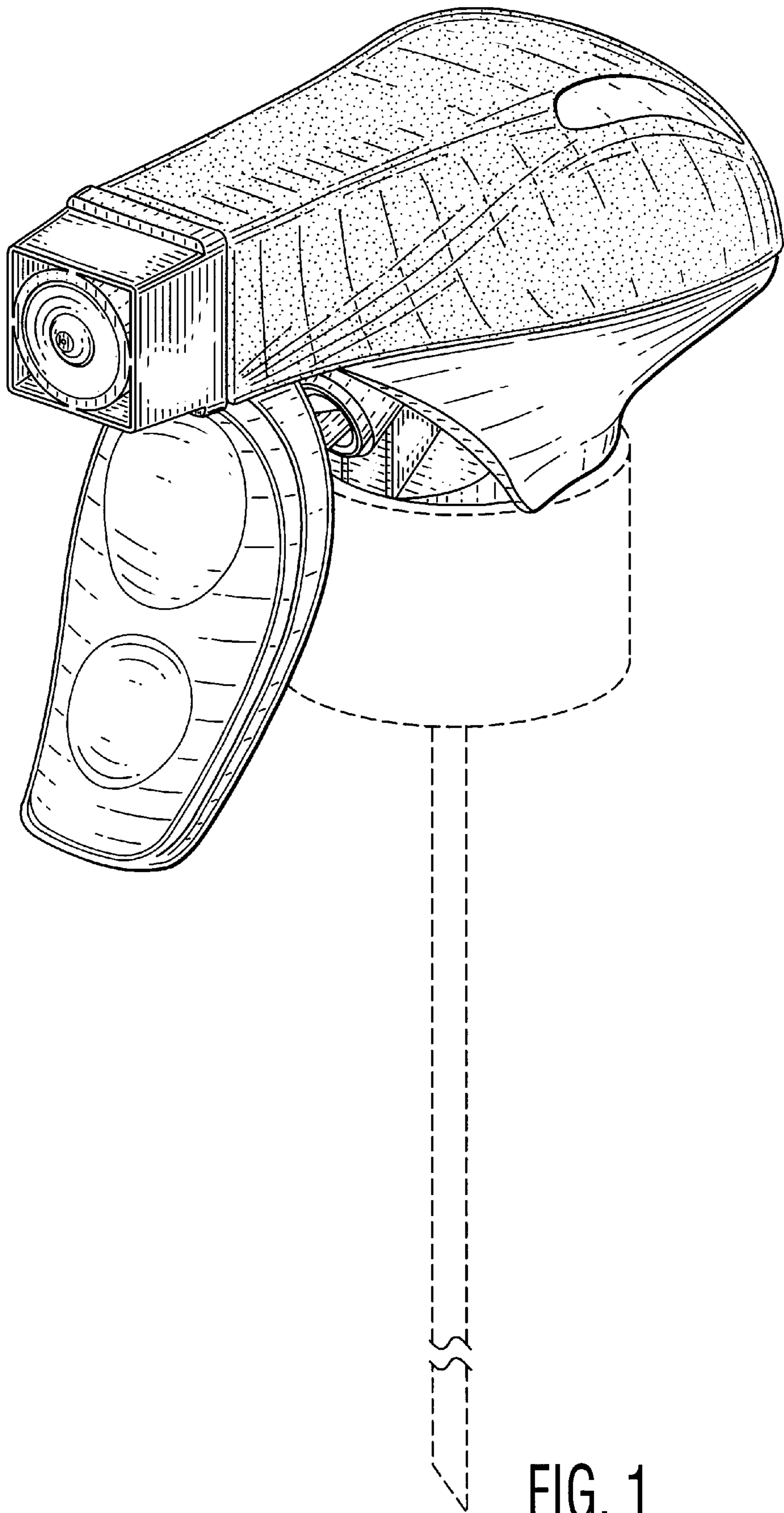


FIG. 1

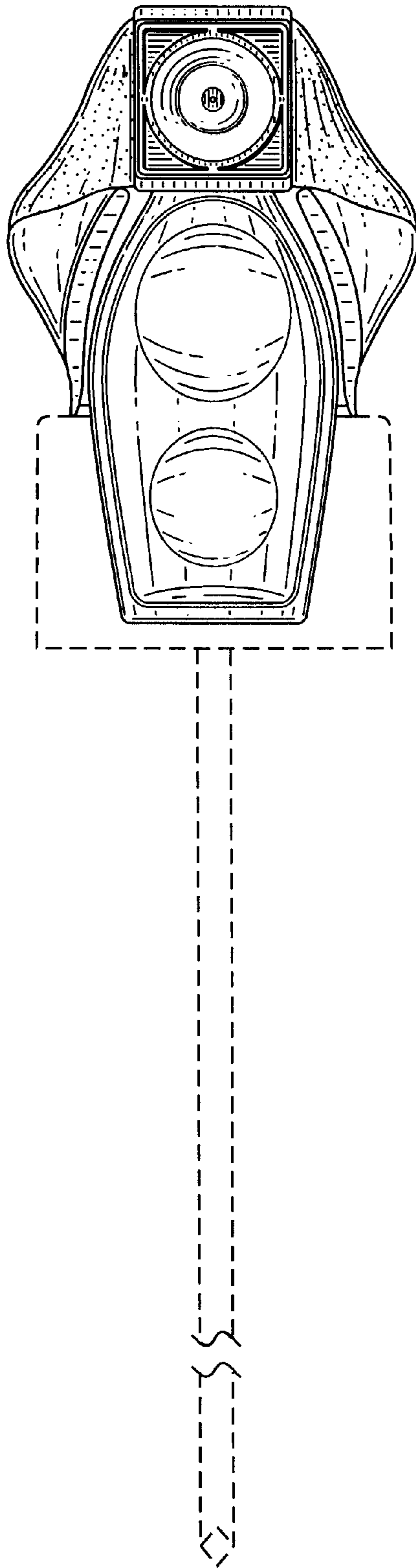


FIG. 2

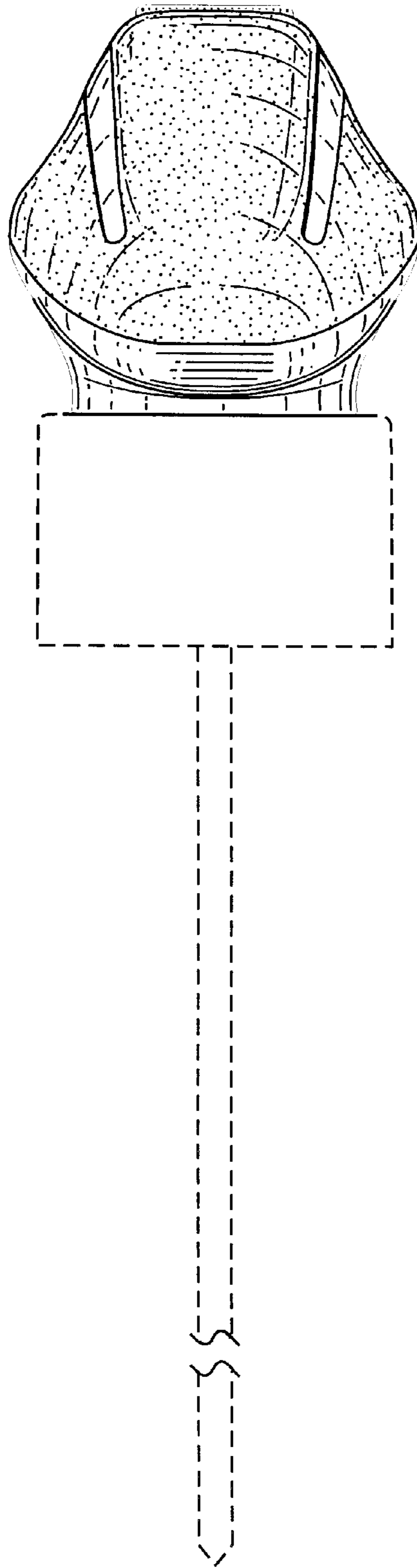


FIG. 3

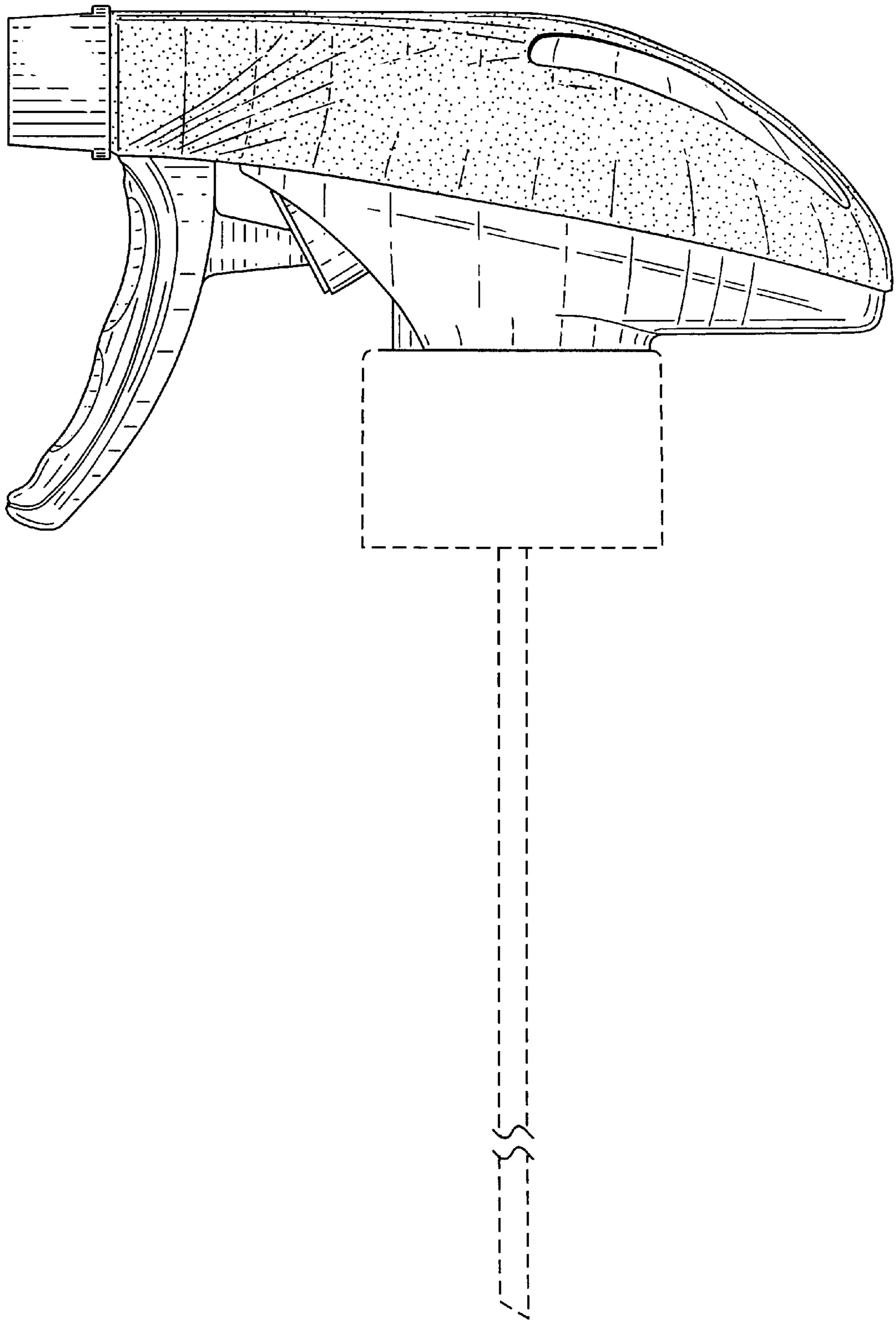


FIG. 4

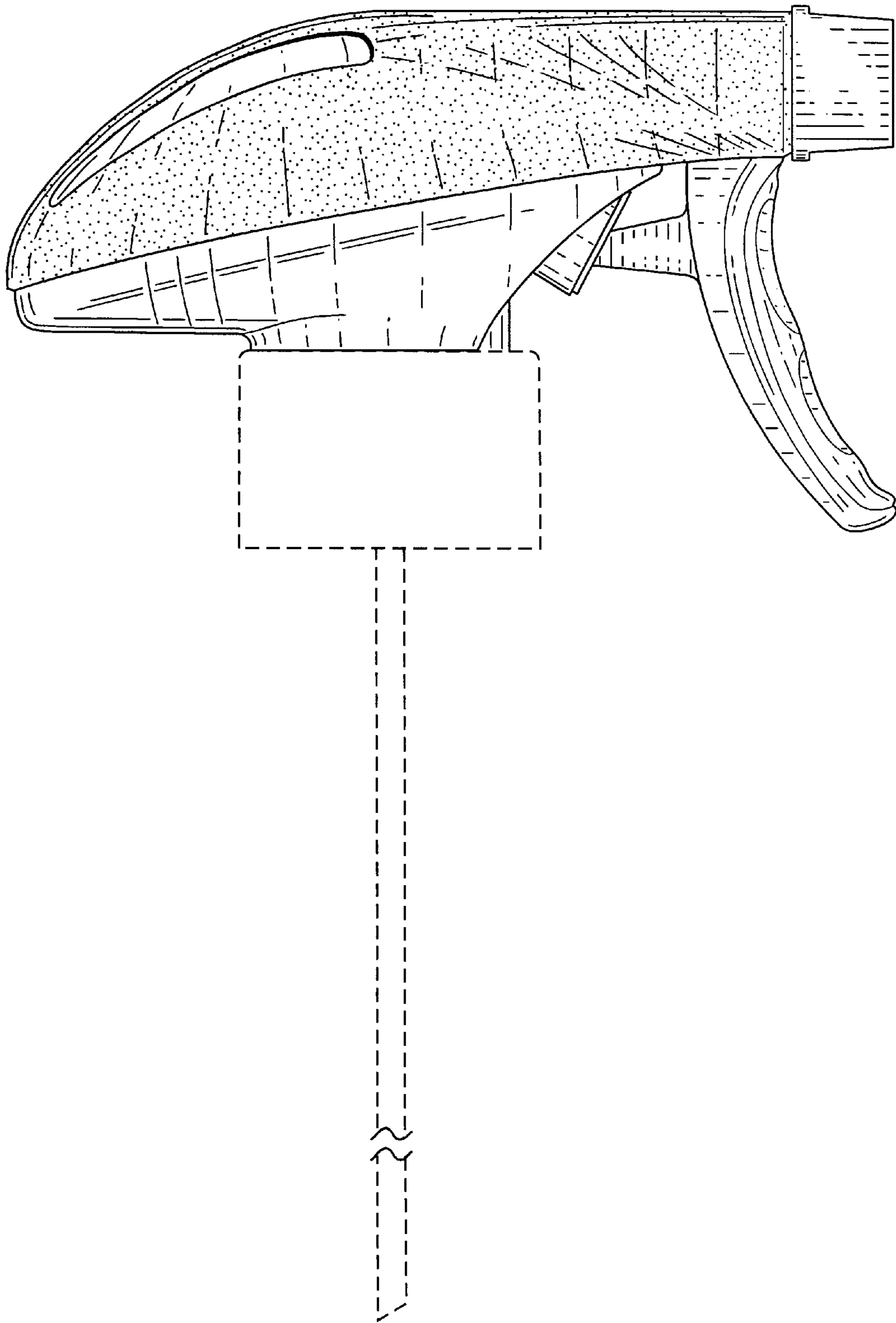


FIG. 5

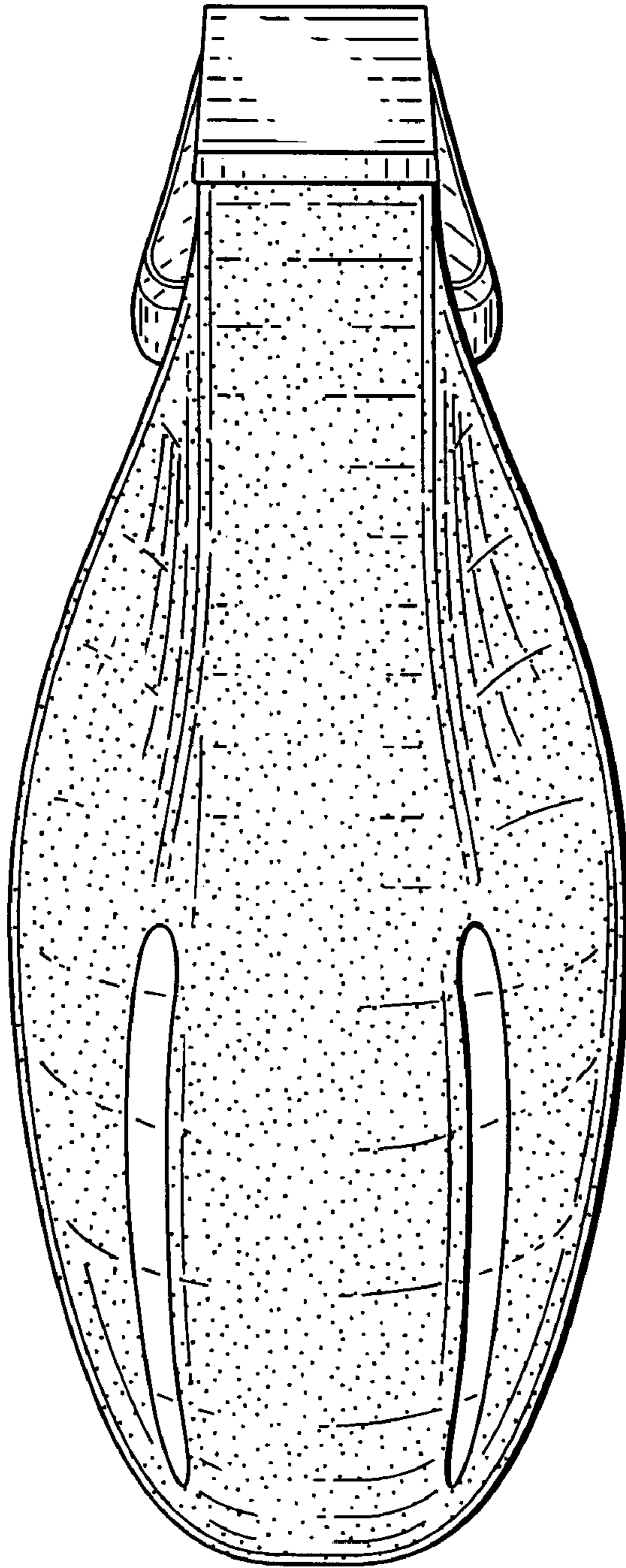


FIG. 6

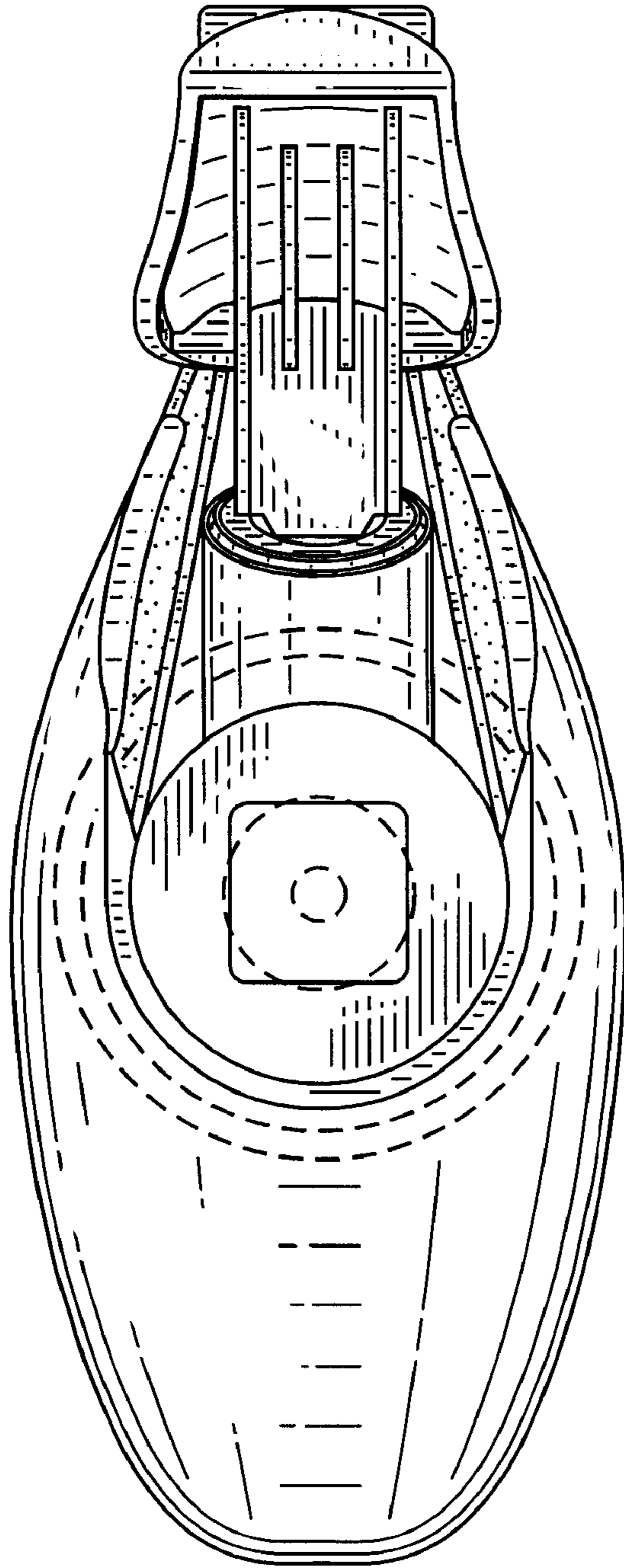


FIG. 7