



US00D456259S

(12) **United States Design Patent**
Groenewald

(10) **Patent No.:** **US D456,259 S**

(45) **Date of Patent:** **** Apr. 30, 2002**

(54) **CAN SPOUT**

(76) **Inventor:** **Charl G Groenewald**, 29 Mauritius St,
Cape Town Western Cape 7500 (ZA)

(**) **Term:** **14 Years**

(21) **Appl. No.:** **29/139,072**

(22) **Filed:** **Mar. 23, 2001**

(51) **LOC (7) Cl.** **09-07**

(52) **U.S. Cl.** **D9/447**

(58) **Field of Search** D9/434, 447; D32/53,
D32/53.1, 54; 222/566-574

(56) **References Cited**

U.S. PATENT DOCUMENTS

2,106,381 A	*	1/1938	Rough	222/570
2,767,891 A		10/1956	Beadles	
3,102,667 A	*	9/1963	Ullevig	222/570
3,221,955 A		12/1965	Banaszak et al.	
D226,662 S	*	4/1973	Kenney	D9/447
D229,676 S	*	12/1973	Kuncz, Jr.	D9/447
4,299,340 A		11/1981	Hrytzak	
D283,492 S	*	4/1986	Nitsch	D9/447
4,907,714 A		3/1990	Gatz	

5,195,662 A		3/1993	Neff	
D380,678 S		7/1997	Borgstede et al.	
D382,801 S	*	8/1997	Samson D9/435

* cited by examiner

Primary Examiner—Dominic Simone

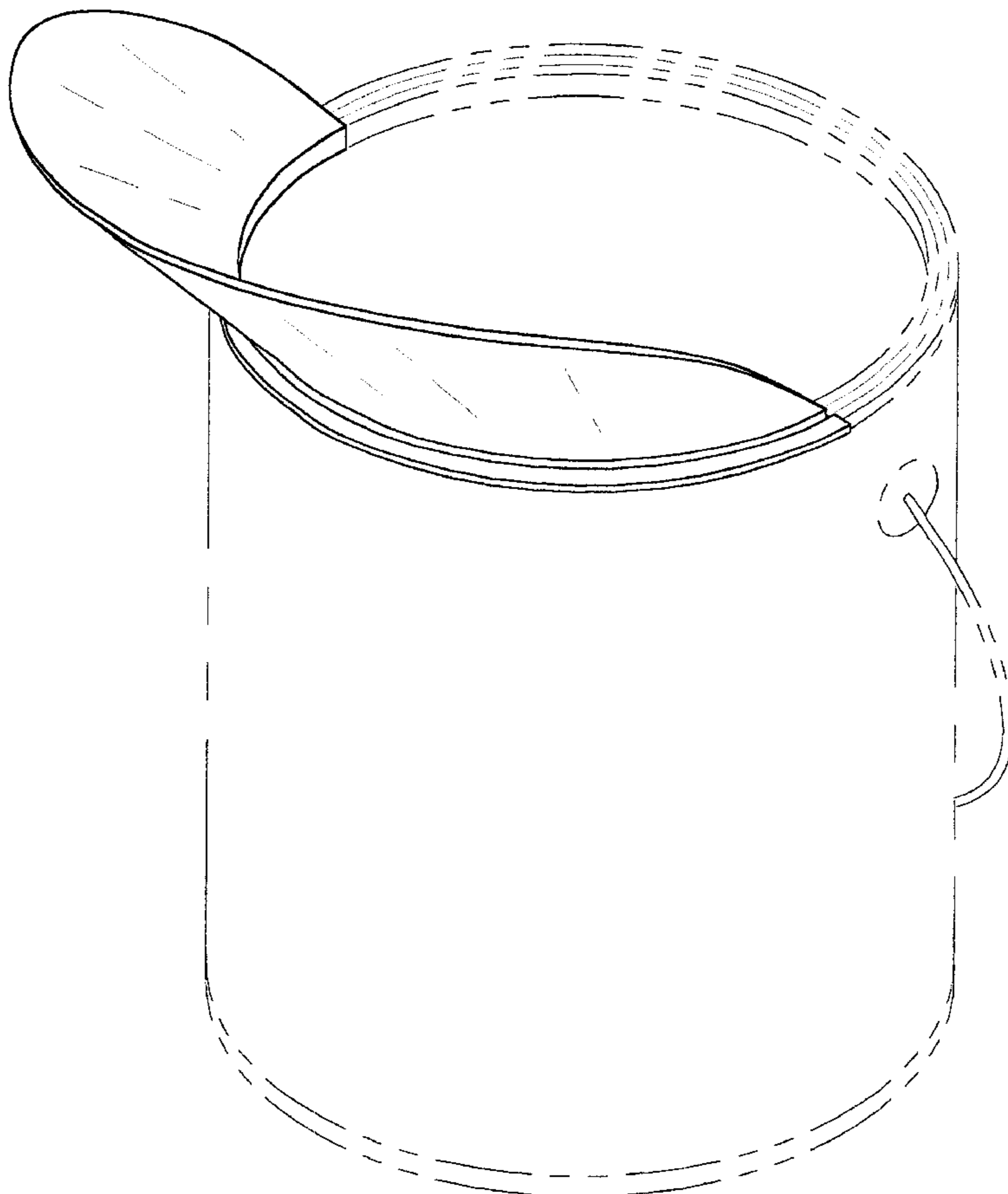
(57) **CLAIM**

The ornamental design for a can spout, as shown and described.

DESCRIPTION

FIG. 1 is a front elevational view of the can spout of the present invention;
 FIG. 2 is a rear elevational view of the can spout of FIG. 1;
 FIG. 3 is a right side elevational view of the can spout of FIG. 1, the left view being a mirror image thereof;
 FIG. 4 is a top plan view of the can spout of FIG. 1;
 FIG. 5 is a bottom plan view of the can spout of FIG. 1; and,
 FIG. 6 is a top, front, right side perspective view of the can spout of FIG. 1.
 The broken lines showing of a paint can in FIG. 6 is for illustrative purposes only and form no part of the claimed design.

1 Claim, 4 Drawing Sheets



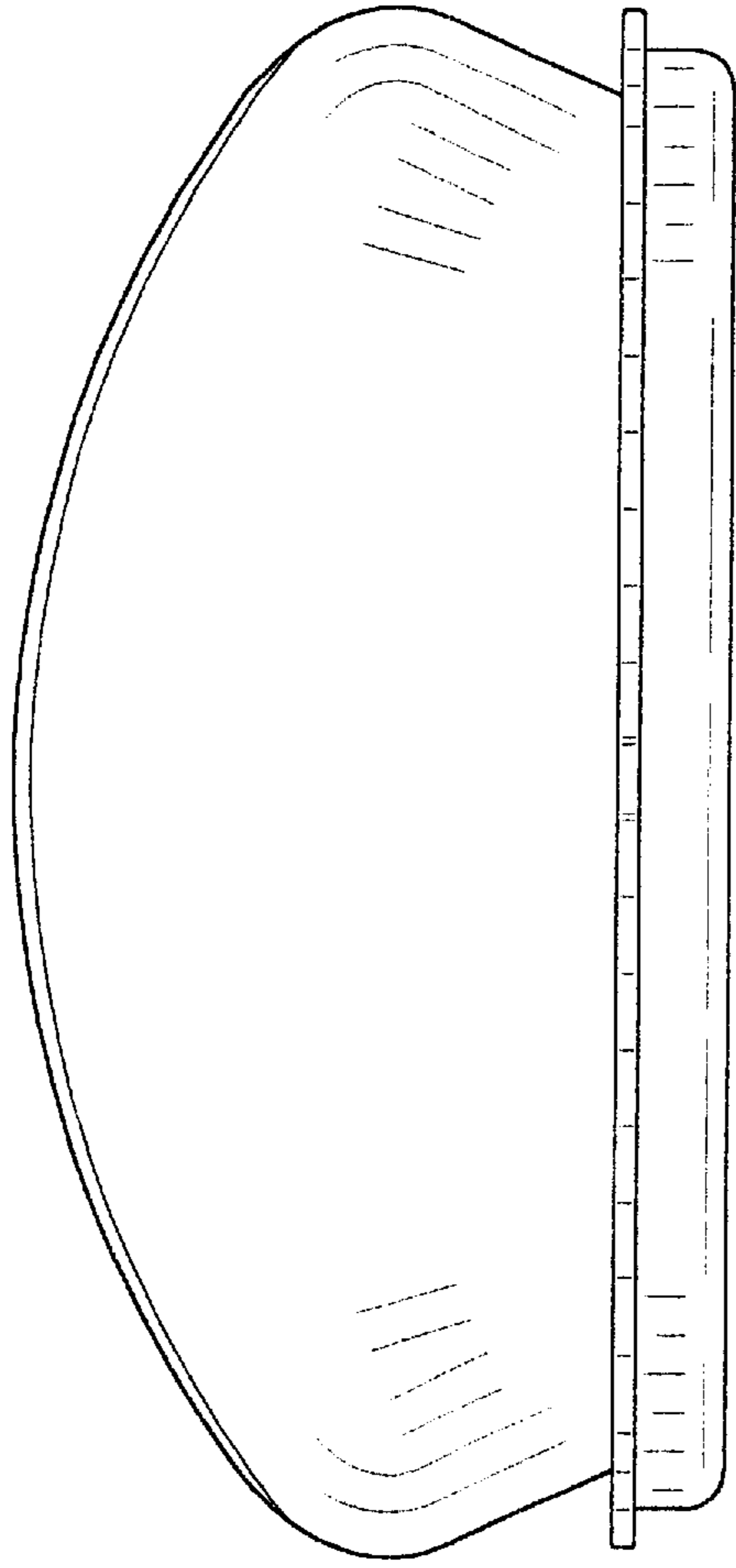


FIG. 1

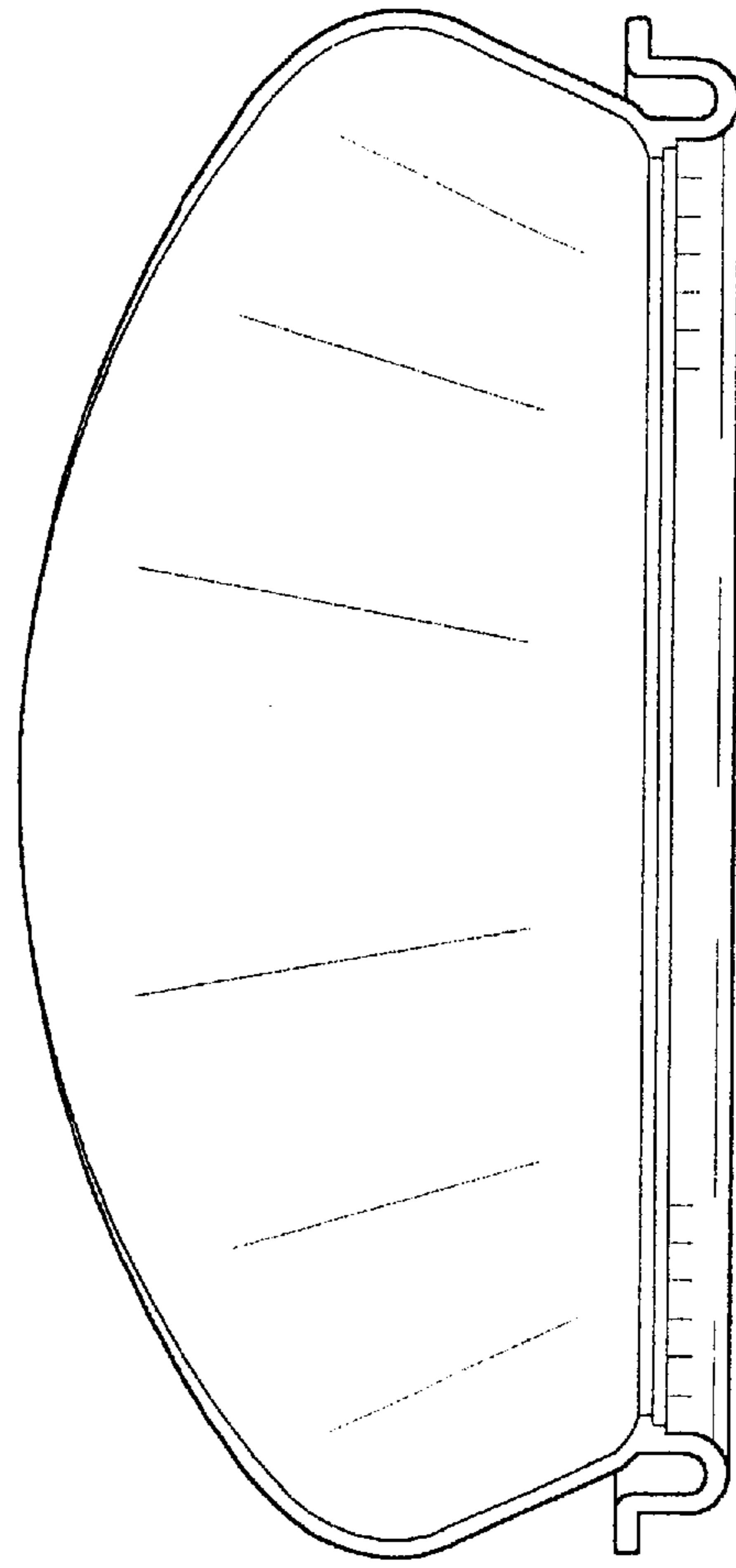


FIG. 2

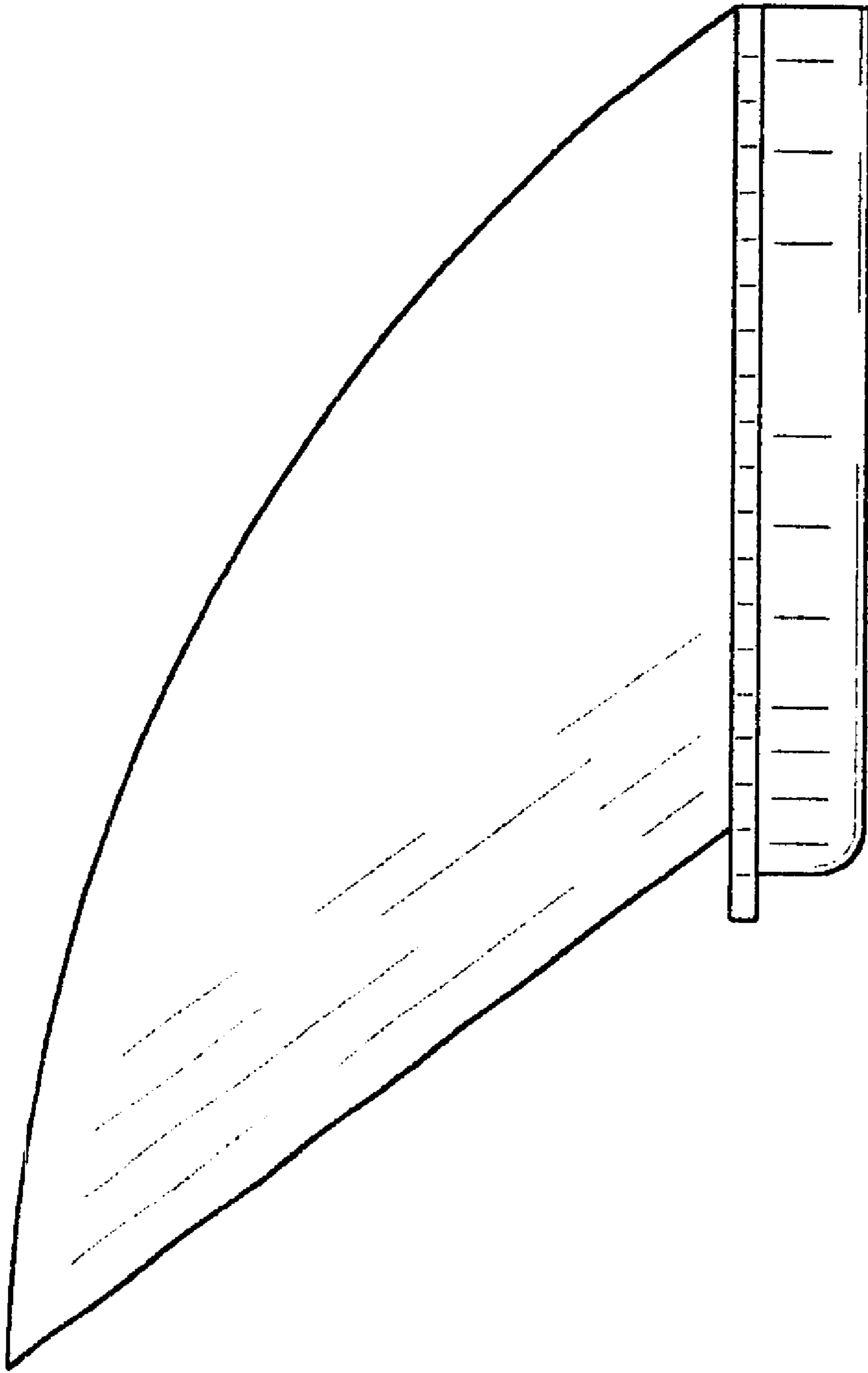
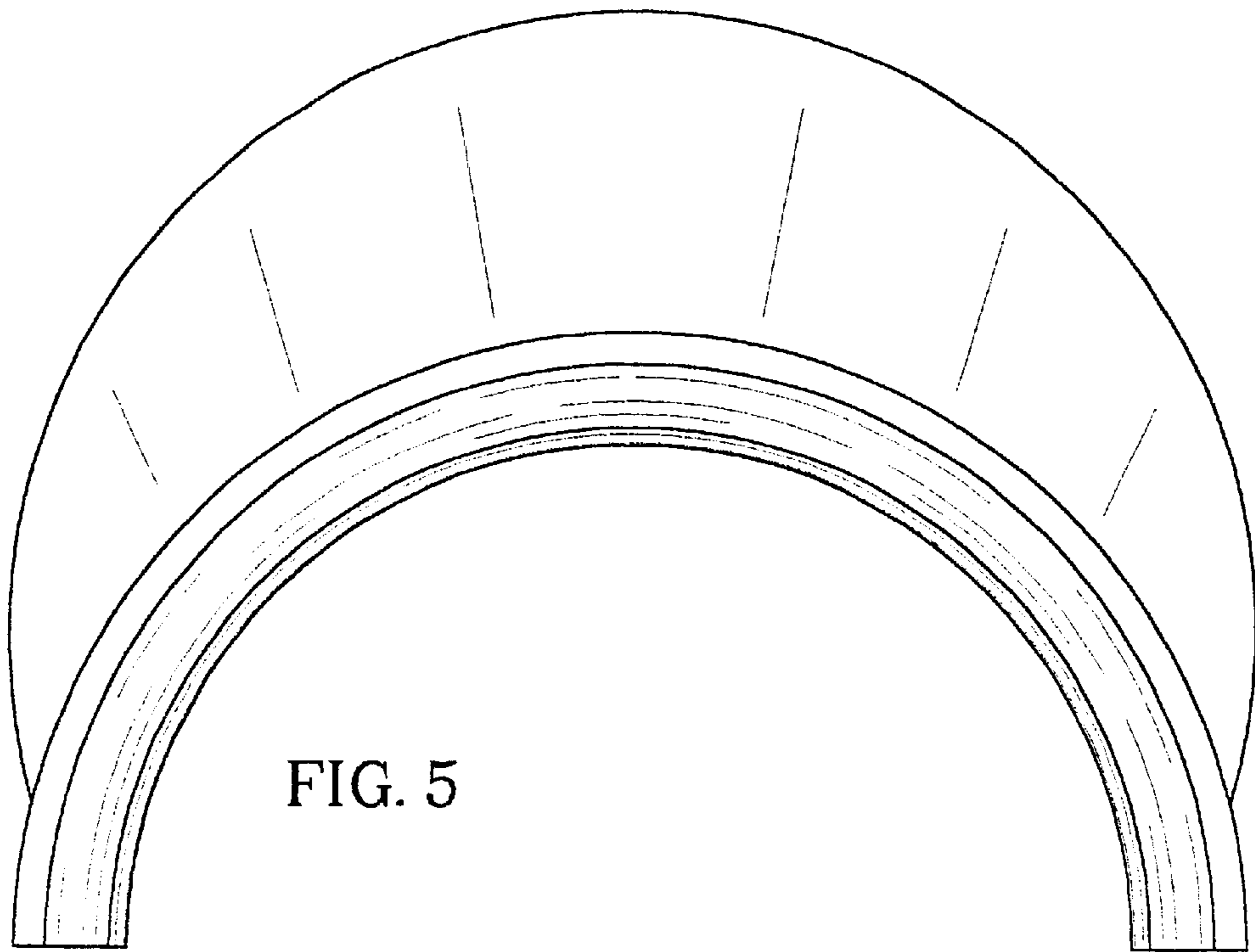
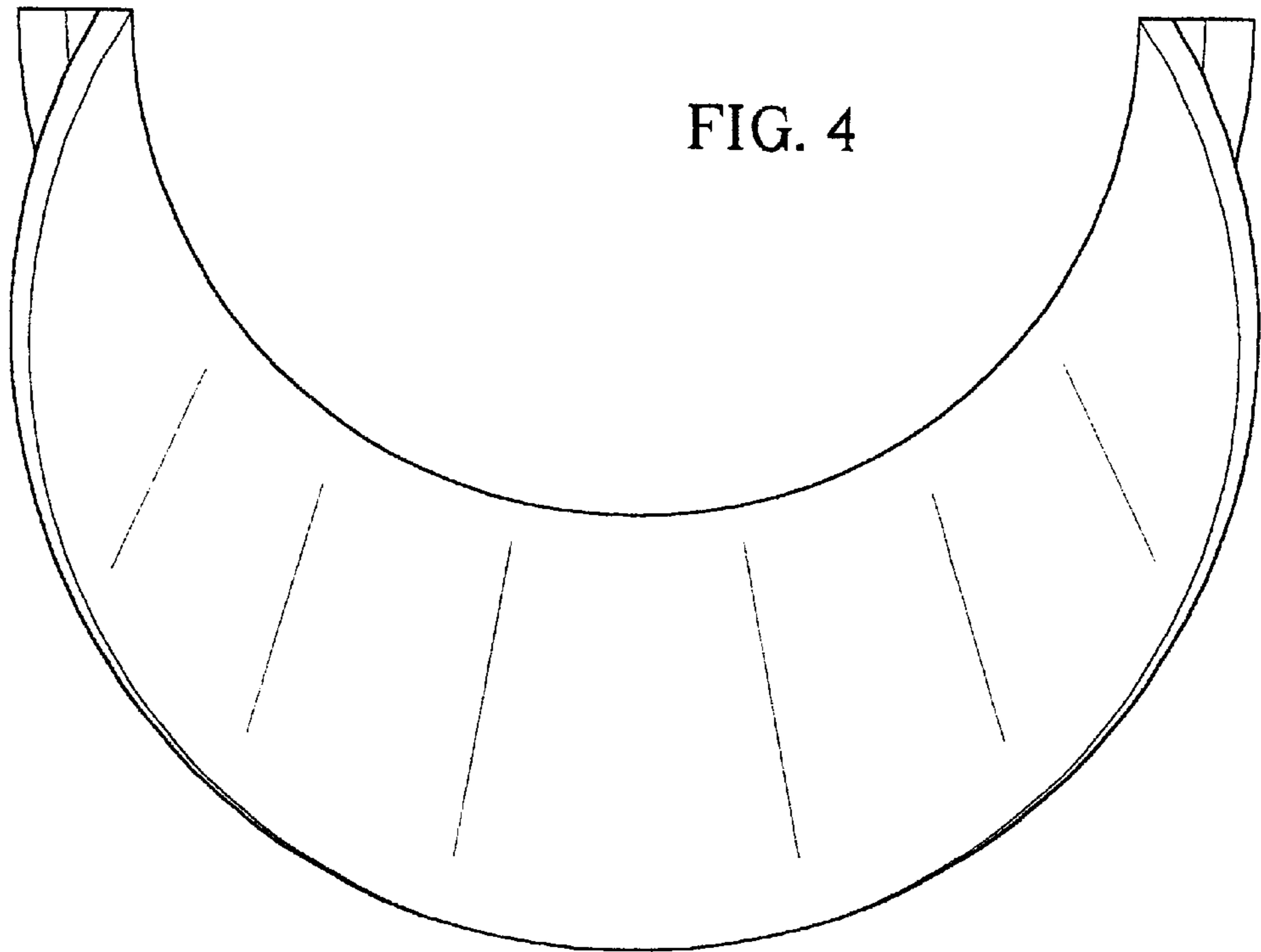


FIG. 3



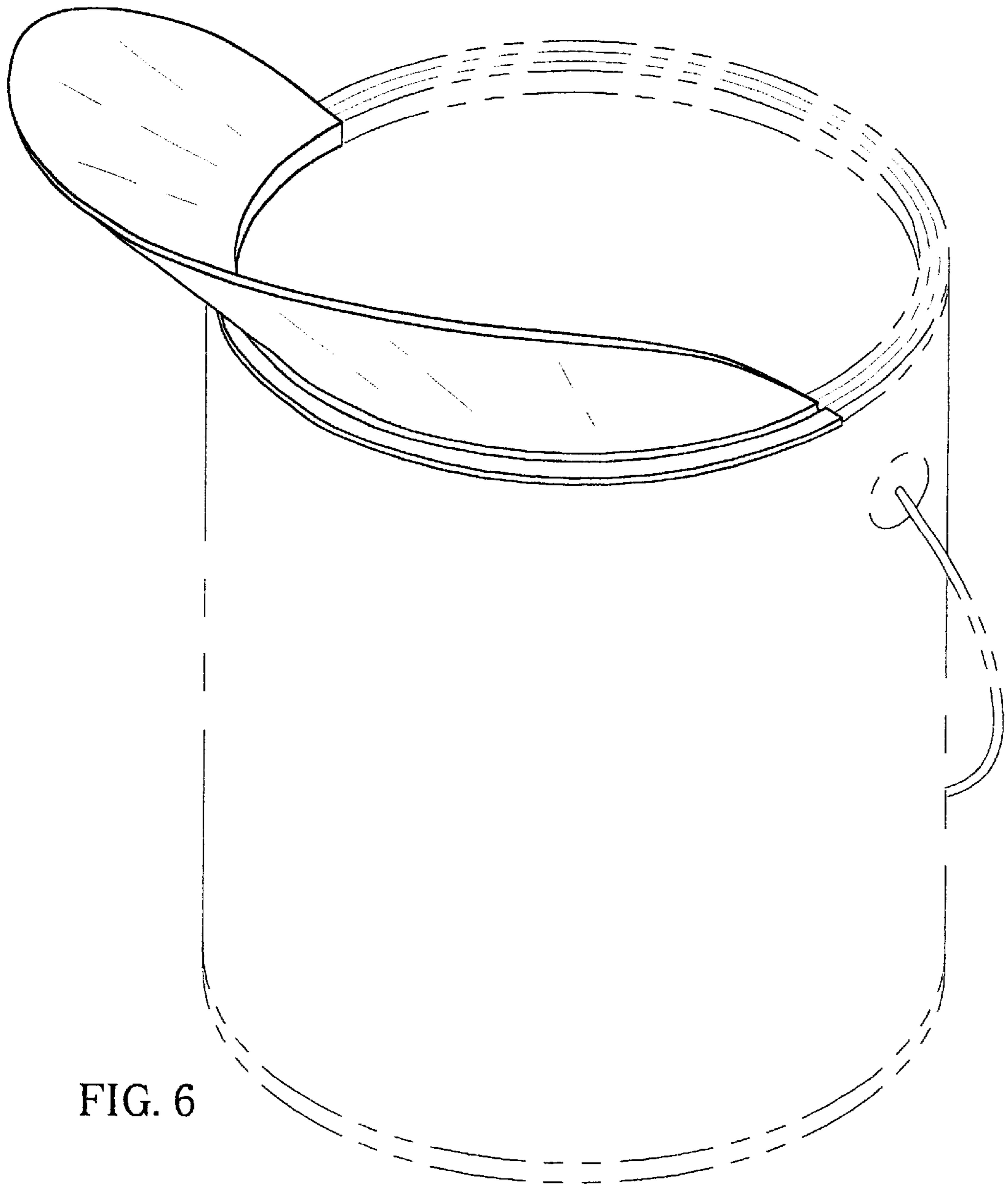


FIG. 6