



US00D456256S

(12) **United States Design Patent**  
**Paczosa**

(10) **Patent No.:** **US D456,256 S**

(45) **Date of Patent:** **\*\* Apr. 30, 2002**

(54) **LUGGED CAP ASSEMBLY**

(75) Inventor: **Bruce P. Paczosa**, Orland Park, IL (US)

(73) Assignee: **Culligan International Company**,  
Northbrooke, IL (US)

(\*\*) Term: **14 Years**

(21) Appl. No.: **29/135,147**

(22) Filed: **Jan. 5, 2001**

(51) **LOC (7) Cl.** ..... **09-07**

(52) **U.S. Cl.** ..... **D9/435**

(58) **Field of Search** ..... D9/434, 435, 447,  
D9/449, 454; 215/200, 217, 227; 222/522-525,  
544, 566, 571; D23/260

(56) **References Cited**

**U.S. PATENT DOCUMENTS**

D35,233 S	*	10/1901	Lunt	.....	D9/49
3,511,420 A	*	5/1970	Kessler	.....	222/525
3,696,669 A		10/1972	Brejcha et al.		
3,746,171 A		7/1973	Thomsen		
D228,447 S	*	9/1973	Glazer	.....	D9/449
3,954,624 A		5/1976	Petrucci		
4,806,240 A		2/1989	Giordano et al.		
4,857,189 A		8/1989	Thomsen et al.		
4,956,086 A		9/1990	Thomsen et al.		
D358,295 S	*	5/1995	Moench	.....	D9/449
D363,429 S	*	10/1995	Lee	.....	D9/454
D404,312 S	*	1/1999	Granai	.....	D9/449
D438,955 S	*	3/2001	Rudzena	.....	D9/449

**OTHER PUBLICATIONS**

U.S. Trademark Registration No. 1,691,349 for MISCELLANEOUS DESIGN on the Principal Register for water filtration units for food services, vending machines, and household use in International Class 11. Owner: Everpure, Inc.

U.S. Trademark Registration No. 1,725,367 for MISCELLANEOUS DESIGN on the Principal Register for water filtration units for food services, vending machines, and household use in International Class 11. Owner: Everpure, Inc.

Everpure, Inc., Quick Change Cartridge for Premium Quality "Ingredient" Water, Cartridge for QC4-H Filter.

Everpure, Inc., Quick Change Cartridge for Premium Quality "Ingredient" Water, Cartridge for QC4-C Filter.

Costruzione Prodotti Speciali, Refiner, Composite Water Filter Disposable Integral Assembly Model 350.

Nu-Calgon Wholesaler, Inc., NU-PLUS Series SC Cartridge, 4620-02.

Cuno, Inc., Mechanical & Chemical Reduction Replacement Cartridge, Model No. CFS9812.

Omnipure Filter Co., Cartridge Model No. EHMLC, Part No. P3850.

PureMark USA, Inc., PFS"E" dapter, PFS-E17.

\* cited by examiner

*Primary Examiner*—Dominic Simone

(74) *Attorney, Agent, or Firm*—Wolf, Greenfield & Sacks, P.C.

(57) **CLAIM**

The ornamental design for a lugged cap assembly, as shown and described.

**DESCRIPTION**

FIG. 1 is an elevational side view of a lugged cap assembly design wherein the opposite side view is a mirror image thereof;

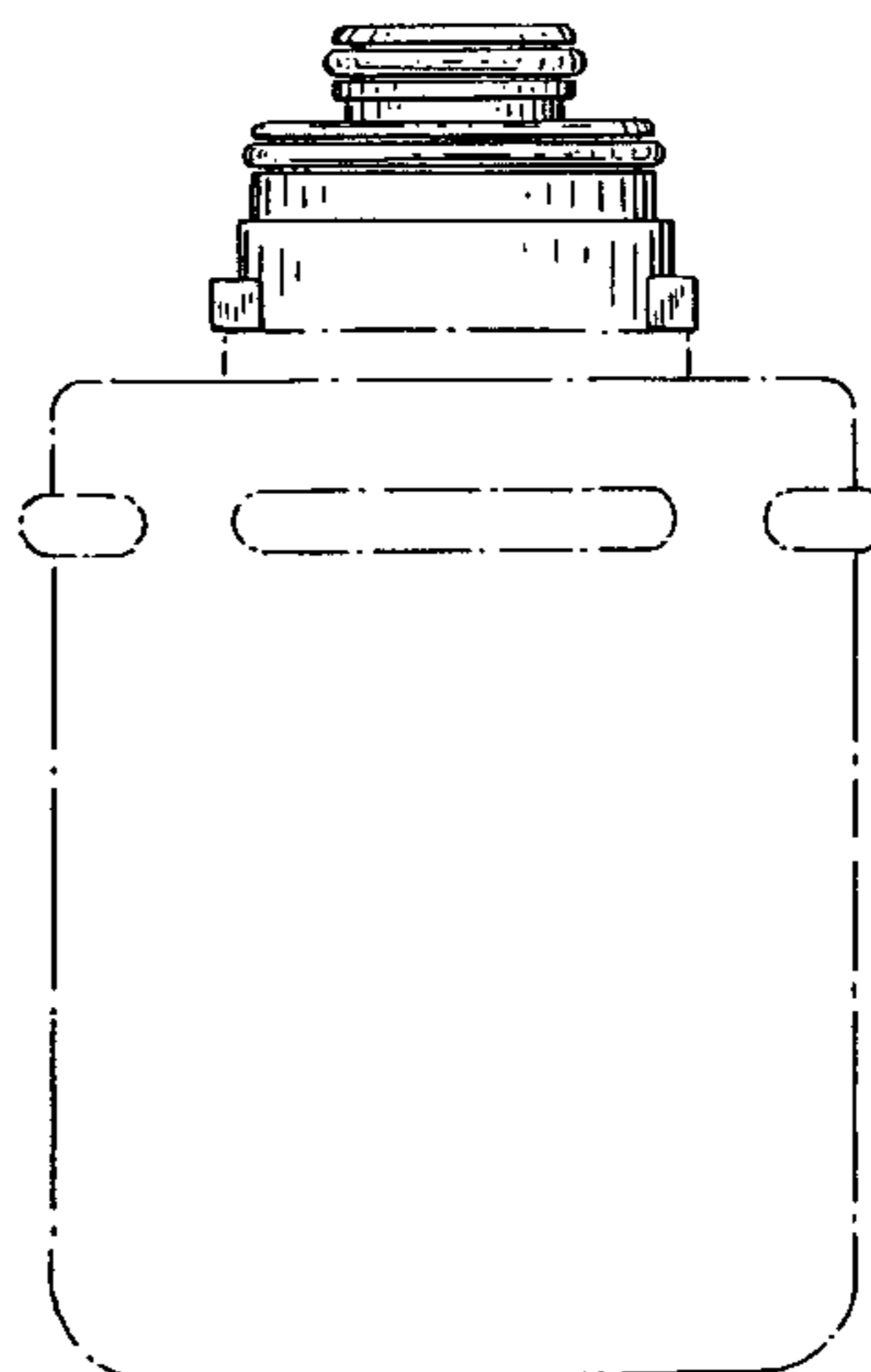
FIG. 2 is an elevational side view of the lugged cap assembly of FIG. 1 rotated 90° wherein the opposite side view is a mirror image thereof;

FIG. 3 is a top plan view thereof; and,

FIG. 4 is a front perspective view thereof.

The broken line showing of a canister and lugged cap assembly in FIGS. 1-4 are for illustrative purposes only and form no part of the claimed design.

**1 Claim, 1 Drawing Sheet**



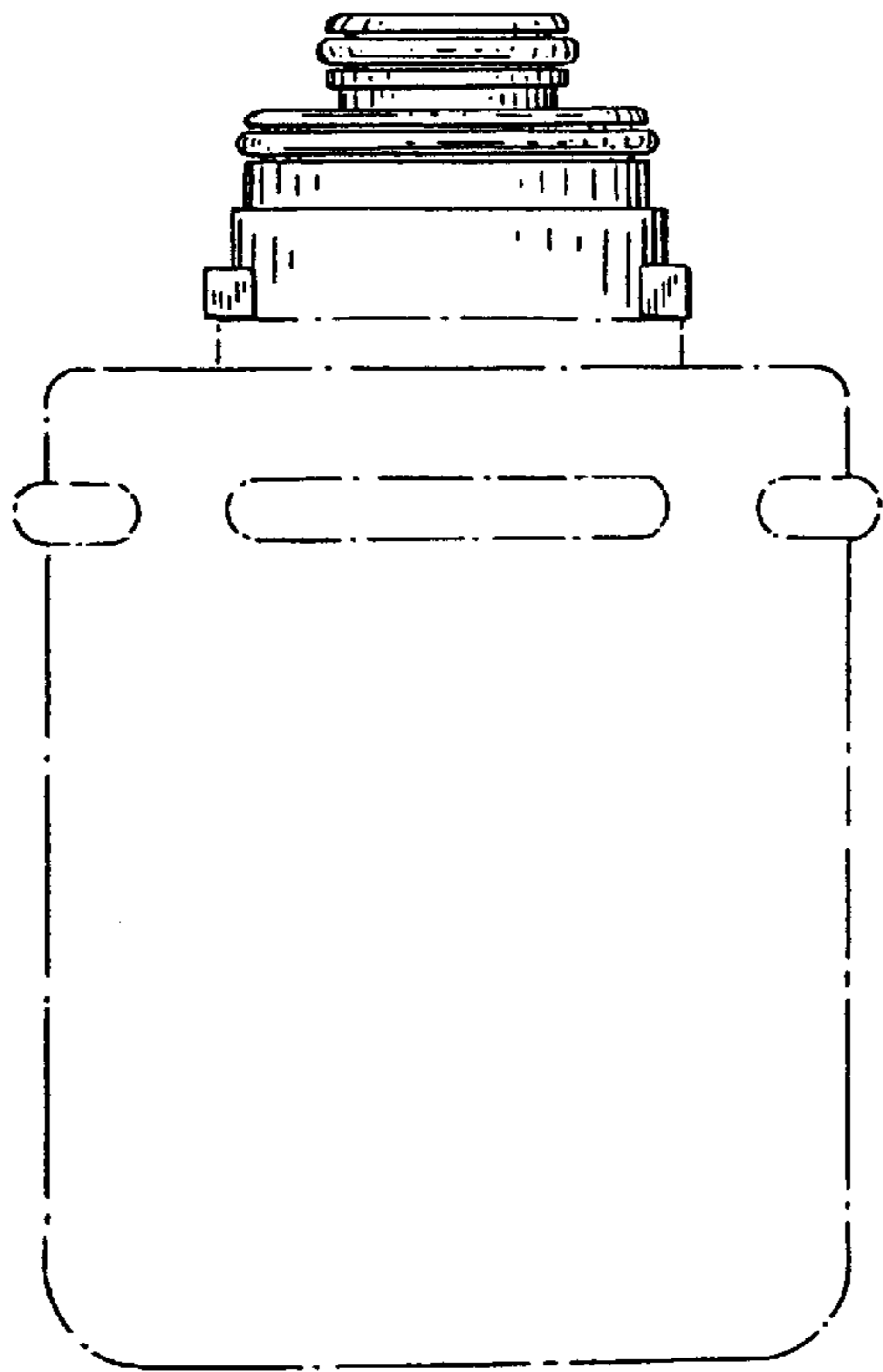


FIG. 1

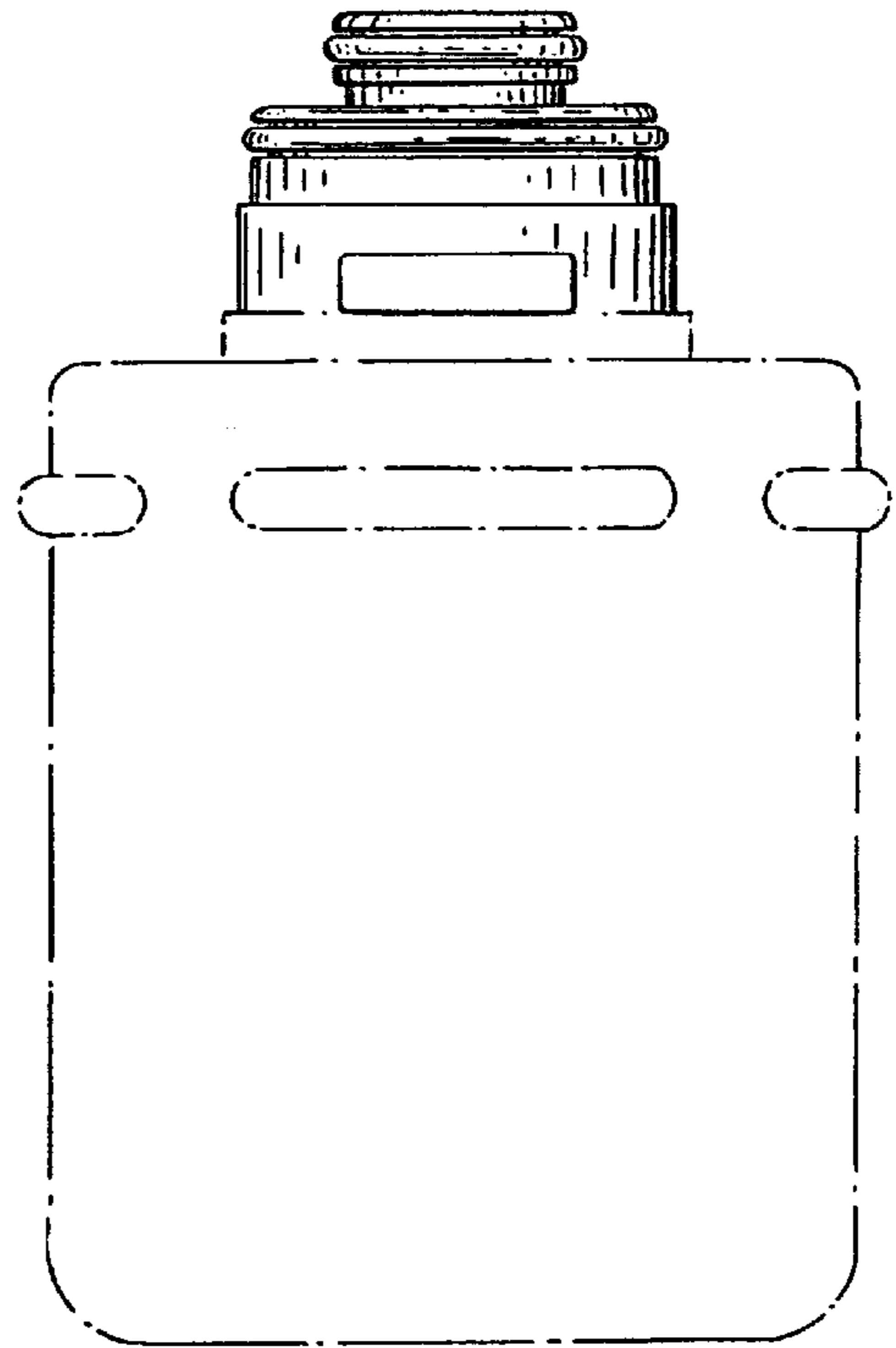


FIG. 2

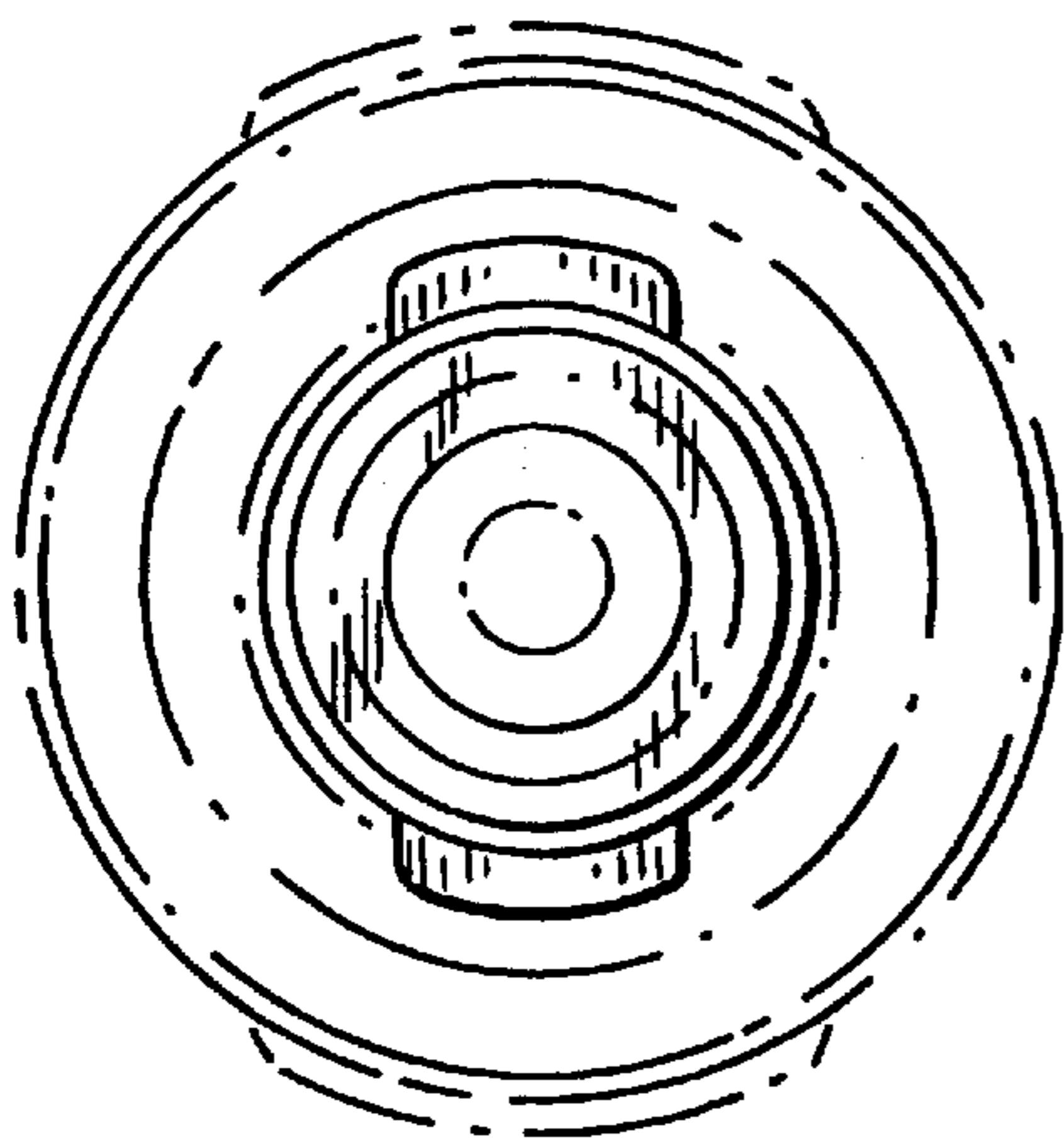


FIG. 3

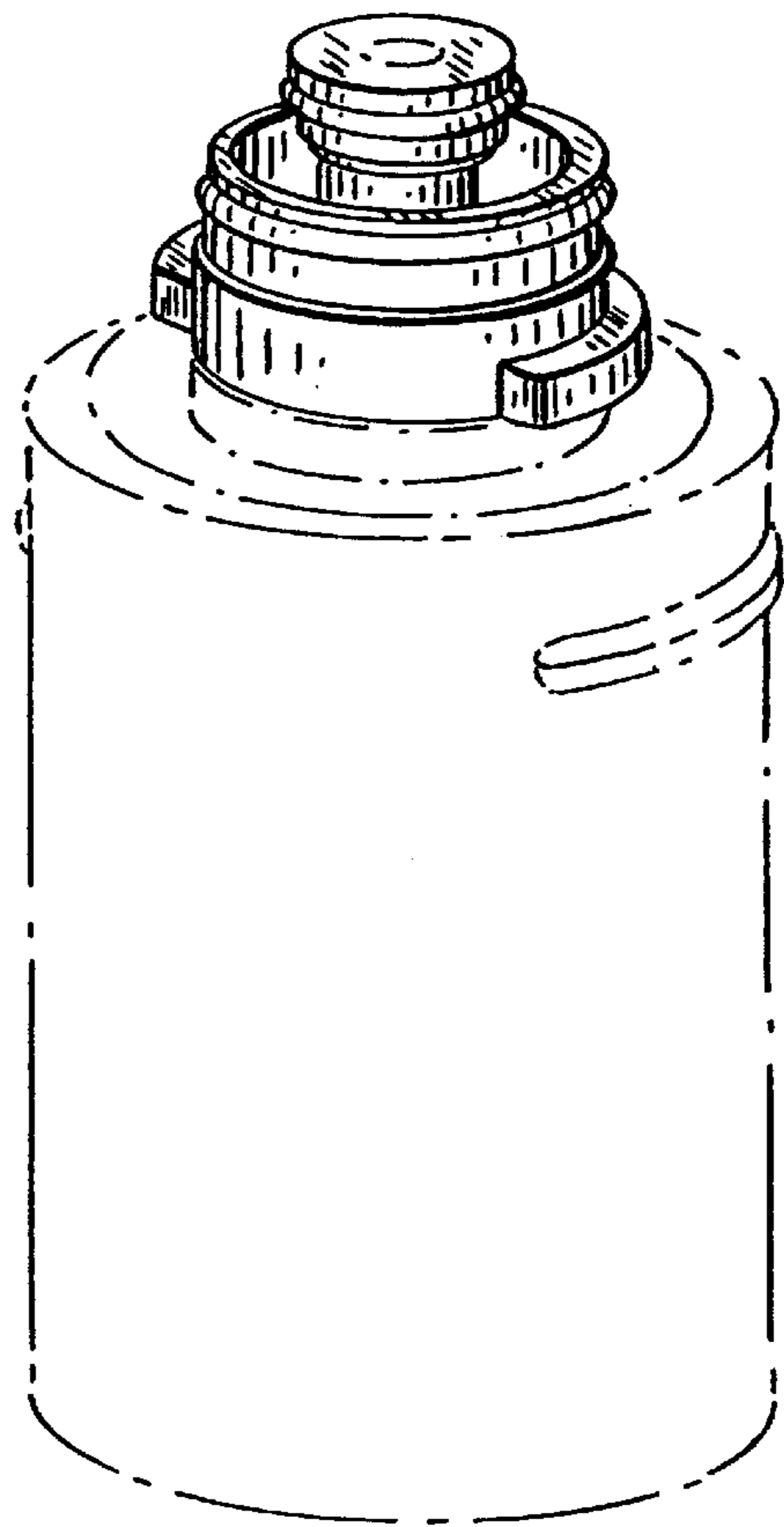


FIG. 4