



US00D456252S

(12) **United States Design Patent**
Weil

(10) **Patent No.:** **US D456,252 S**

(45) **Date of Patent:** **** Apr. 30, 2002**

(54) **PACKAGE FOR FLASHLIGHT**

(75) Inventor: **Daniel Weil**, London (GB)

(73) Assignee: **The Gillette Company**, Boston, MA (US)

(**) Term: **14 Years**

(21) Appl. No.: **29/139,269**

(22) Filed: **Mar. 27, 2001**

(51) **LOC (7) Cl.** **09-03**

(52) **U.S. Cl.** **D9/428; D9/431; D9/415**

(58) **Field of Search** D9/424, 430, 431, D9/428, 429, 337; D26/37, 51, 113; 206/223, 303, 701, 723, 446; 224/902, 915, 929; 229/113, 116.1, 406, 800; 362/157, 159, 171, 200-208

(56) **References Cited**

U.S. PATENT DOCUMENTS

3,145,905 A * 8/1964 Moore 229/113
3,651,928 A * 3/1972 Weisman 206/783

D333,785 S * 3/1993 Ohlsson D9/306
D396,634 S * 8/1998 Andren et al. D9/431
6,158,875 A * 12/2000 Olivit et al. 362/208
6,257,734 B1 * 7/2001 Tchira 363/208

* cited by examiner

Primary Examiner—Prabhakar Deshmukh

(74) *Attorney, Agent, or Firm*—Barry D. Josephs; Paul I. Douglas; Thomas G. Krivulka

(57) **CLAIM**

The ornamental design for the package for flashlight, as shown and described.

DESCRIPTION

FIG. 1 is a perspective view of the package of the invention; FIG. 2 is a perspective view of the package in open position; FIG. 3 is a right-side elevation view of FIG. 1; the opposite side being a mirror image; FIG. 4 is a front elevation view of FIG. 1; the opposite side being a mirror image; FIG. 5 is a top end view of FIG. 1; and, FIG. 6 is a bottom end view of FIG. 1.

1 Claim, 5 Drawing Sheets

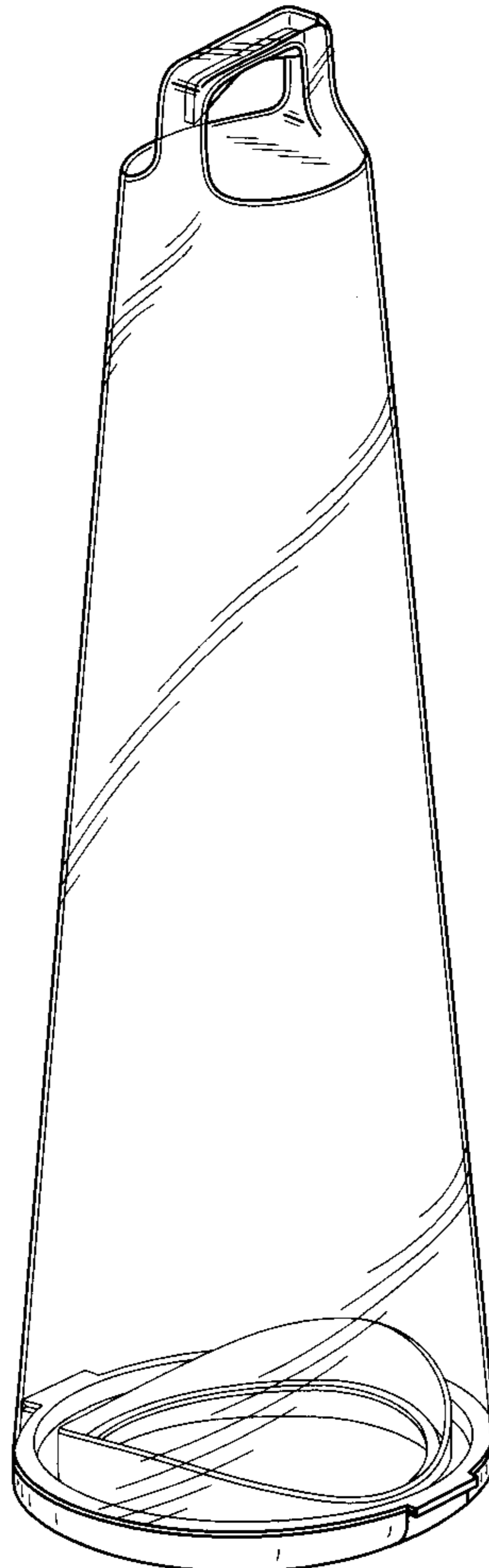


FIG. 1

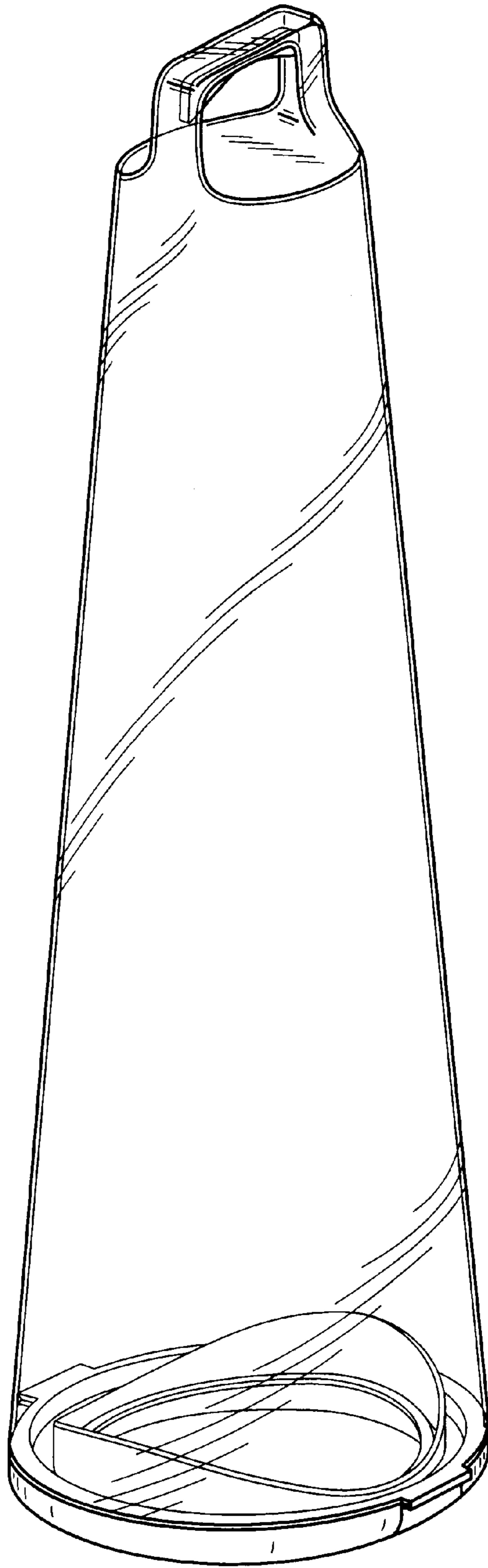


FIG. 2

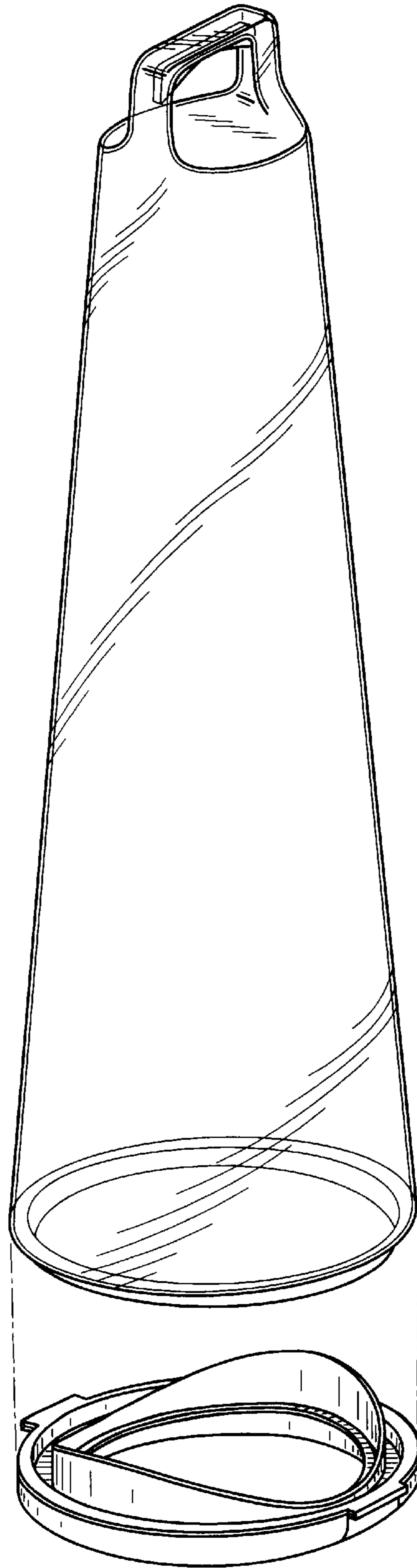


FIG. 3

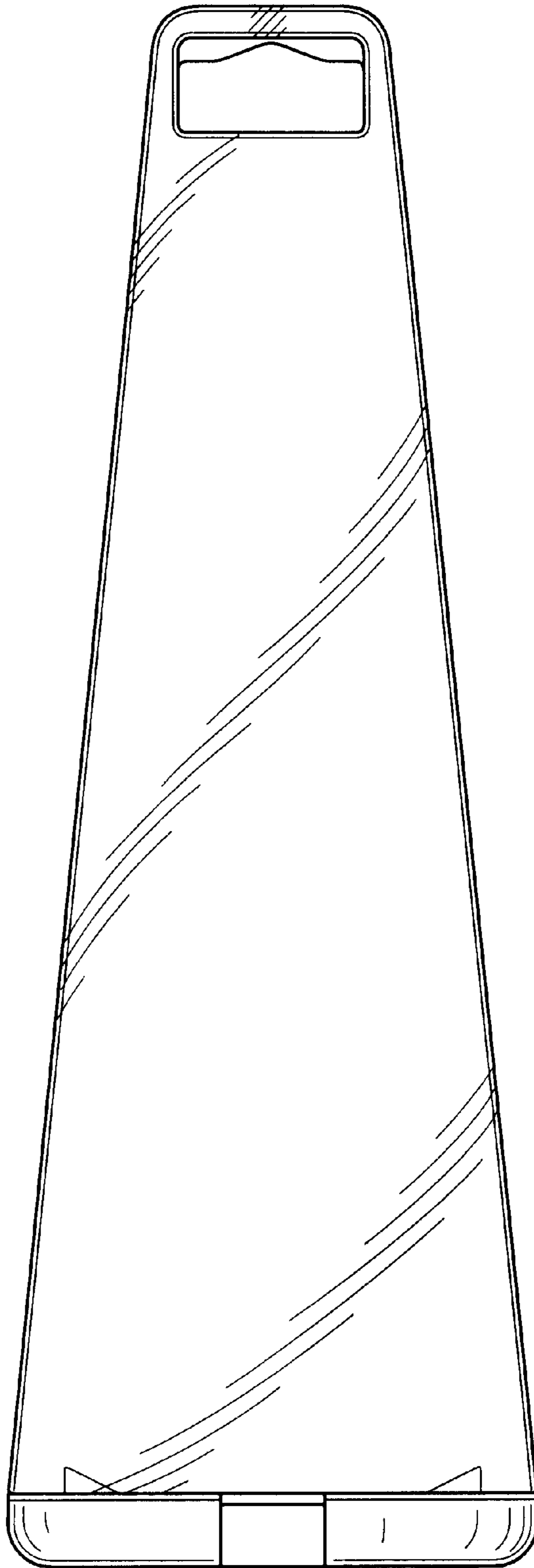


FIG. 4

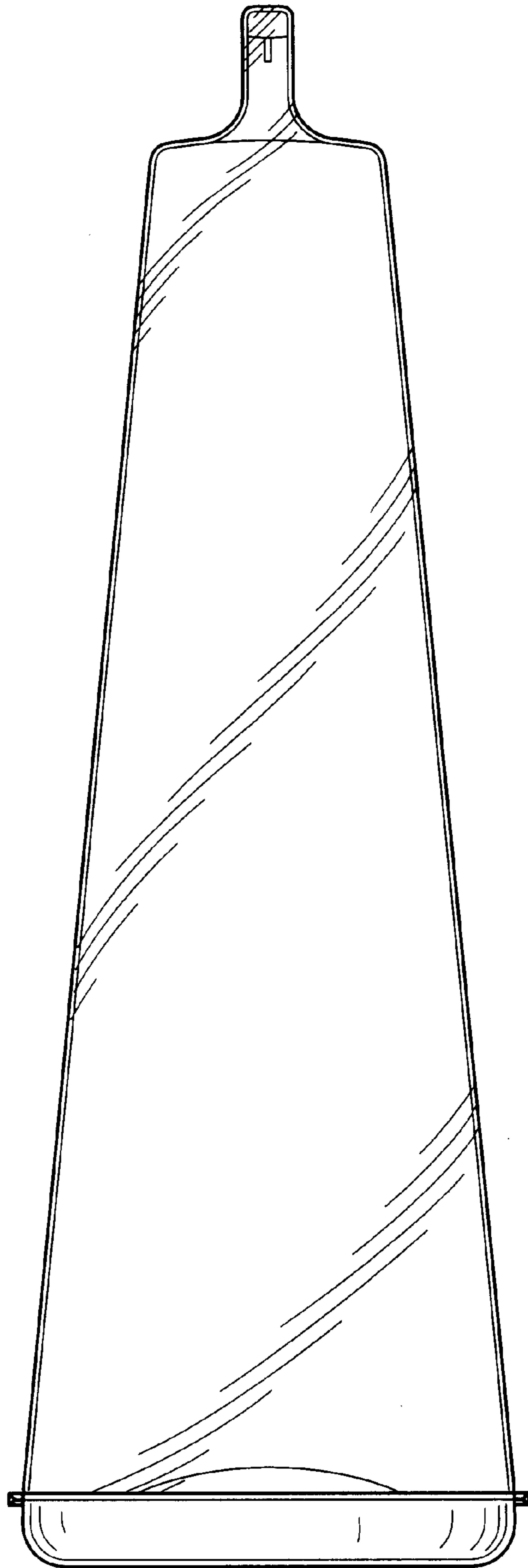


FIG. 5

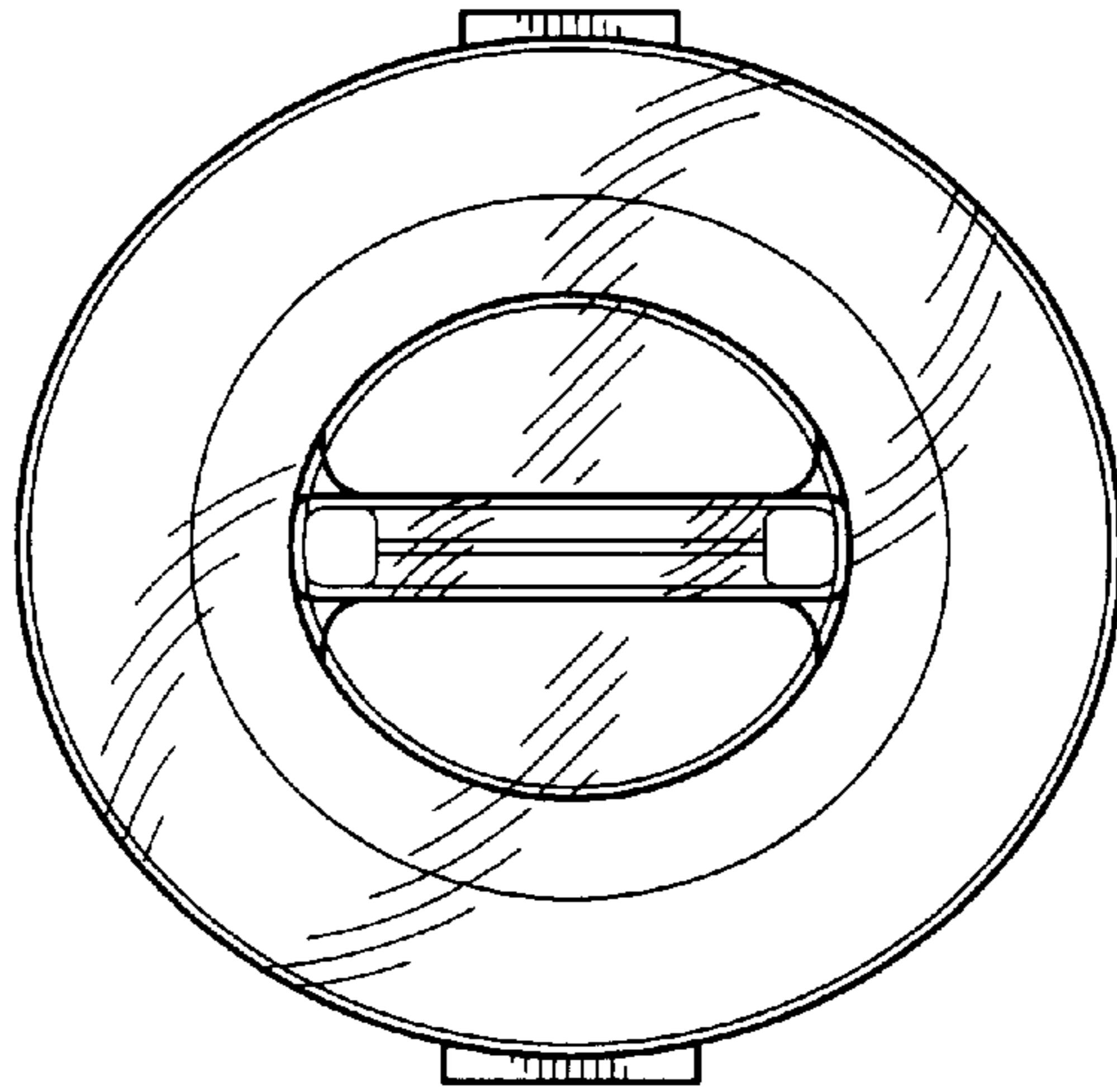


FIG. 6

