



US00D456248S

(12) **United States Design Patent**
Fowler et al.

(10) **Patent No.: US D456,248 S**

(45) **Date of Patent: ** *Apr. 30, 2002**

(54) **CONTAINER**

(75) Inventors: **John Ward Fowler**, Corbridge; **Steven Frederick Kelsey**, London; **Gerrard Michael O'Brien**, Rickmansworth, all of (GB)

(73) Assignee: **The Procter & Gamble Company**, Cincinnati, OH (US)

(*) Notice: This patent is subject to a terminal disclaimer.

(**) Term: **14 Years**

(21) Appl. No.: **29/095,944**

(22) Filed: **Nov. 2, 1998**

(51) **LOC (7) Cl.** **09-03**

(52) **U.S. Cl.** **D9/414**

(58) **Field of Search** D9/307, 414, 424, D9/428, 430, 431; 229/4.5, 116.1, 201, 902; 220/675, 676; 206/77.1, 6.1, 83, 553, 457

(56) **References Cited**

U.S. PATENT DOCUMENTS

3,078,989 A * 2/1963 Curran et al. 229/116.1 X

D251,227 S	3/1979	Mathison et al.	
4,164,588 A	8/1979	Johnson	426/135
D259,101 S	* 5/1981	Grodin	D9/414
4,483,095 A	* 11/1984	Webinger	229/116.1 X
D312,968 S	12/1990	Wolff	D9/431
D346,185 S	* 4/1994	Francis	D9/307 X
D356,496 S	3/1995	Fox	D9/431
D362,801 S	10/1995	Milroy	D9/347
5,744,181 A	4/1998	Sornay et al.	426/106

* cited by examiner

Primary Examiner—Terry A. Wallace

(74) *Attorney, Agent, or Firm*—Paul M. Ulrich

(57) **CLAIM**

The ornamental design for a container, as shown and described.

DESCRIPTION

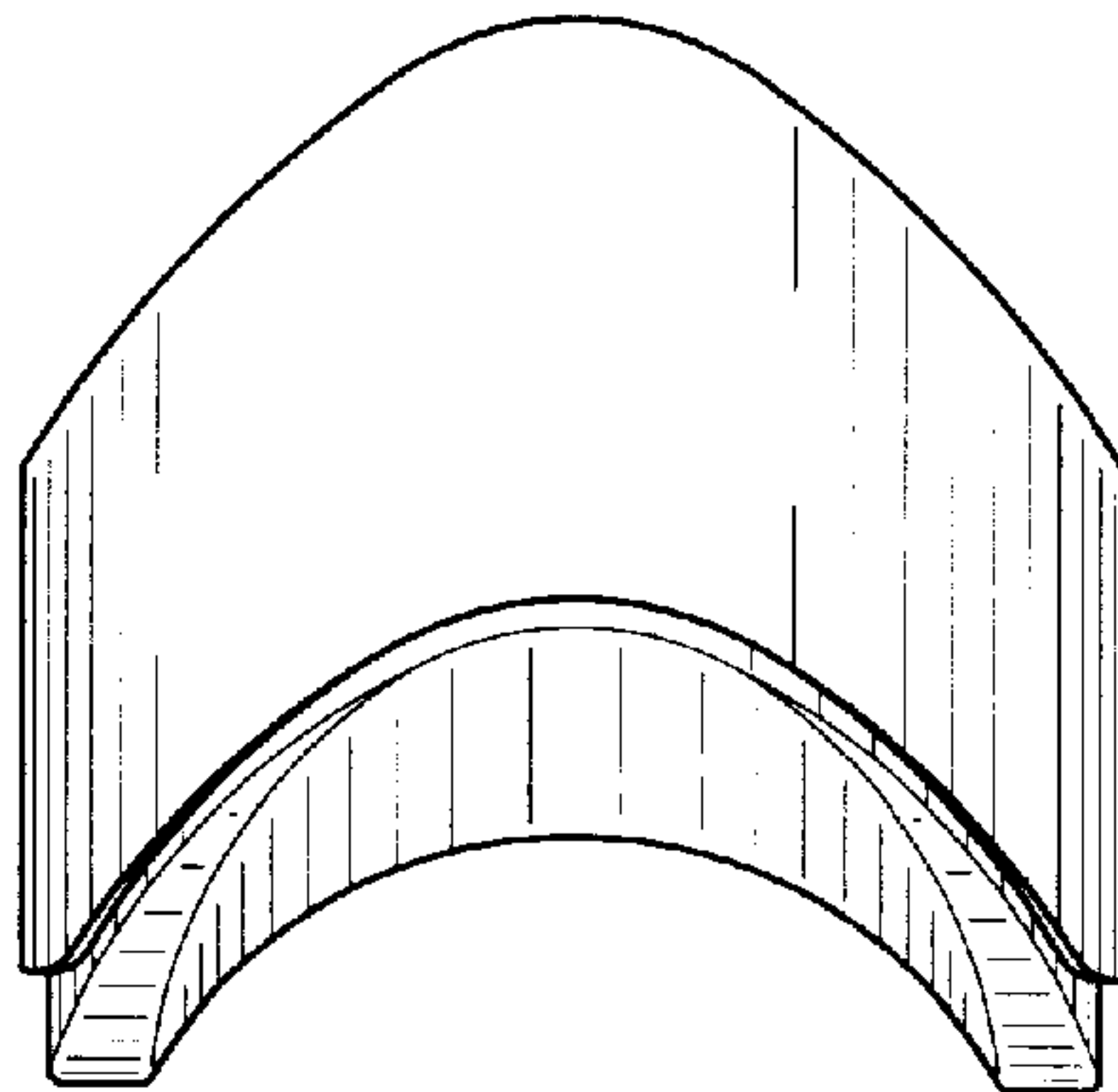
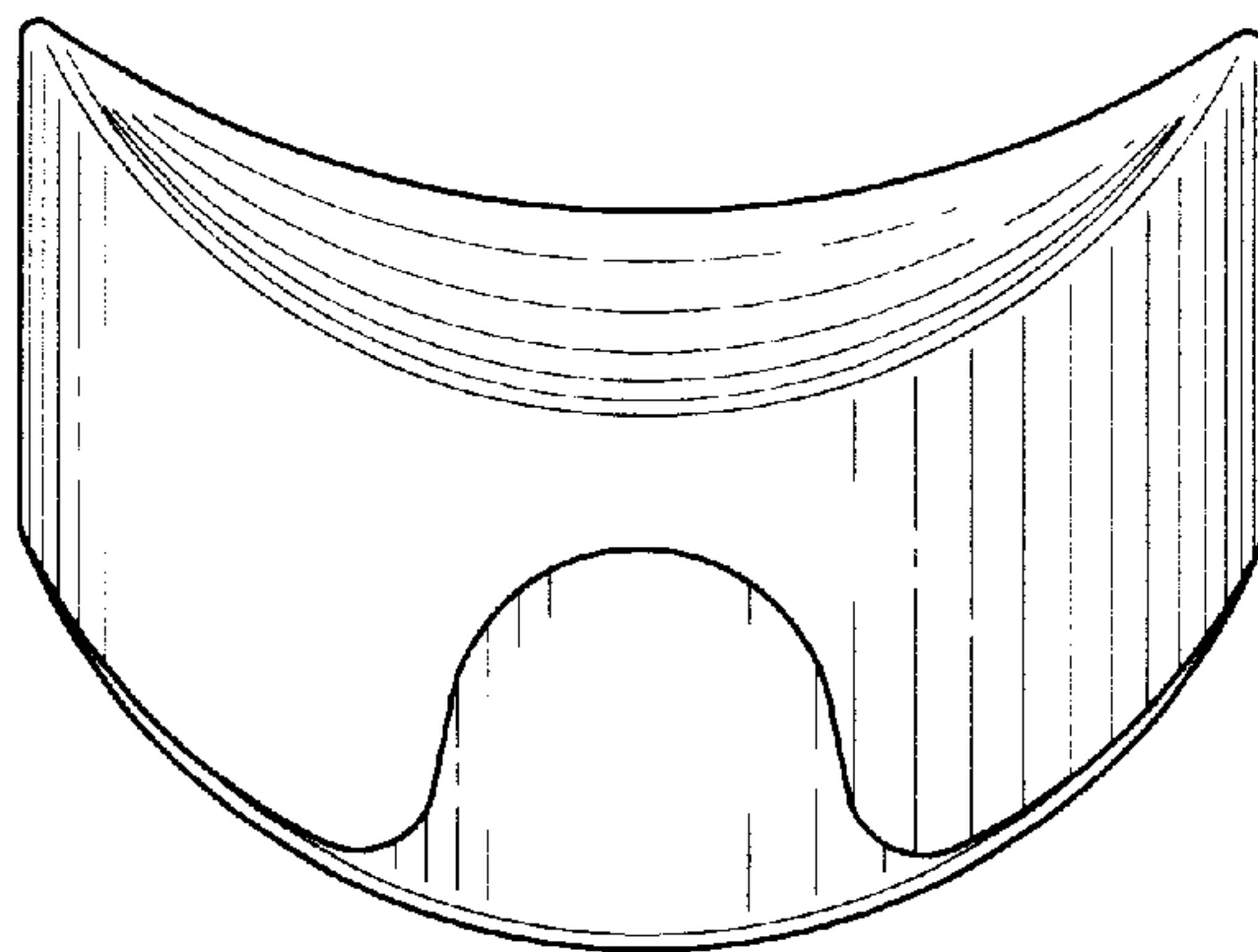
FIG. 1 is a right side elevational view of a container, embodying our new design, with the left side elevational view thereof being the same;

FIG. 2 is a front elevational view thereof, with the back elevational view thereof being the same;

FIG. 3 is a top plan view thereof; and,

FIG. 4 is a bottom plan view thereof.

1 Claim, 1 Drawing Sheet



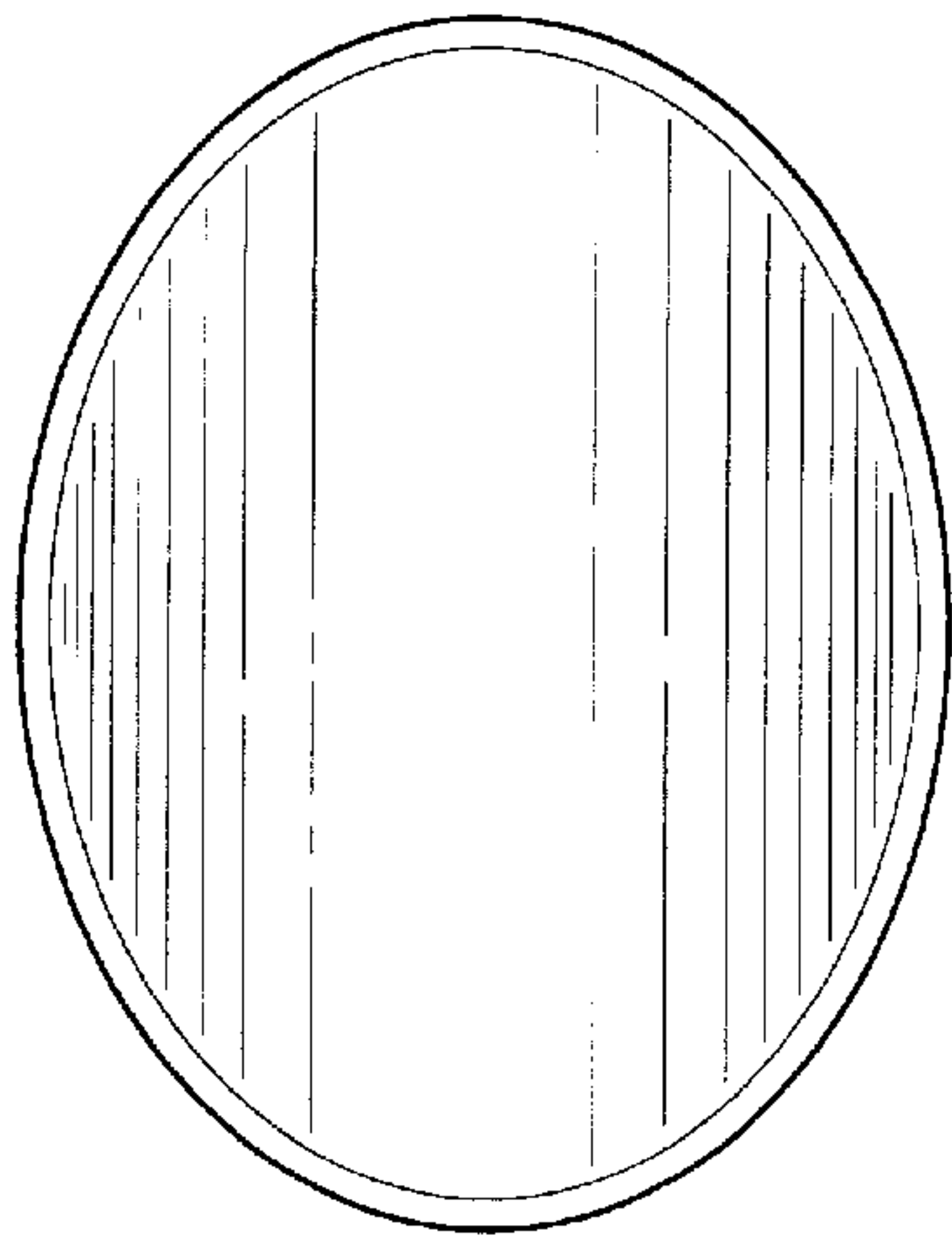


Fig. 3

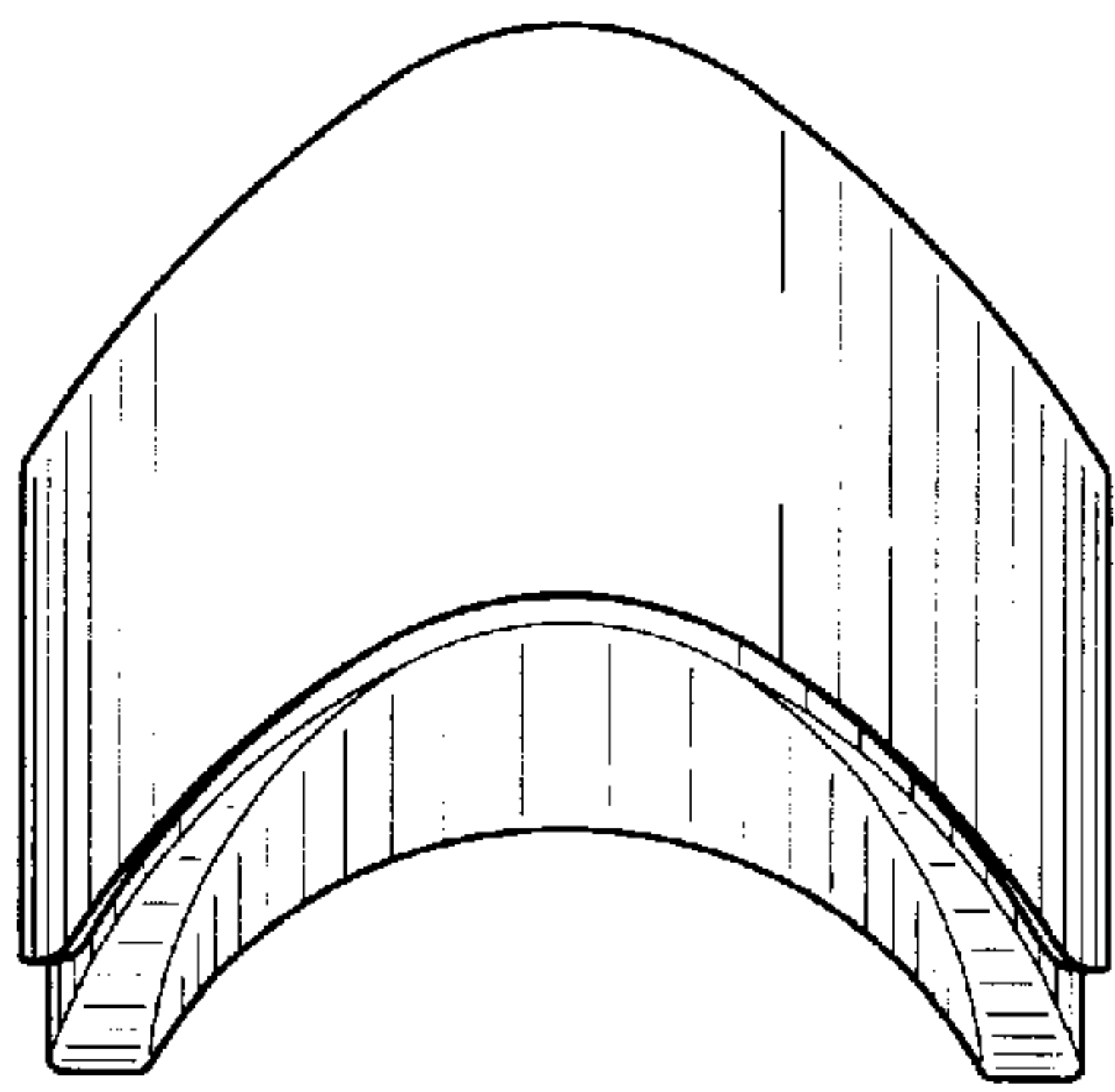


Fig. 2

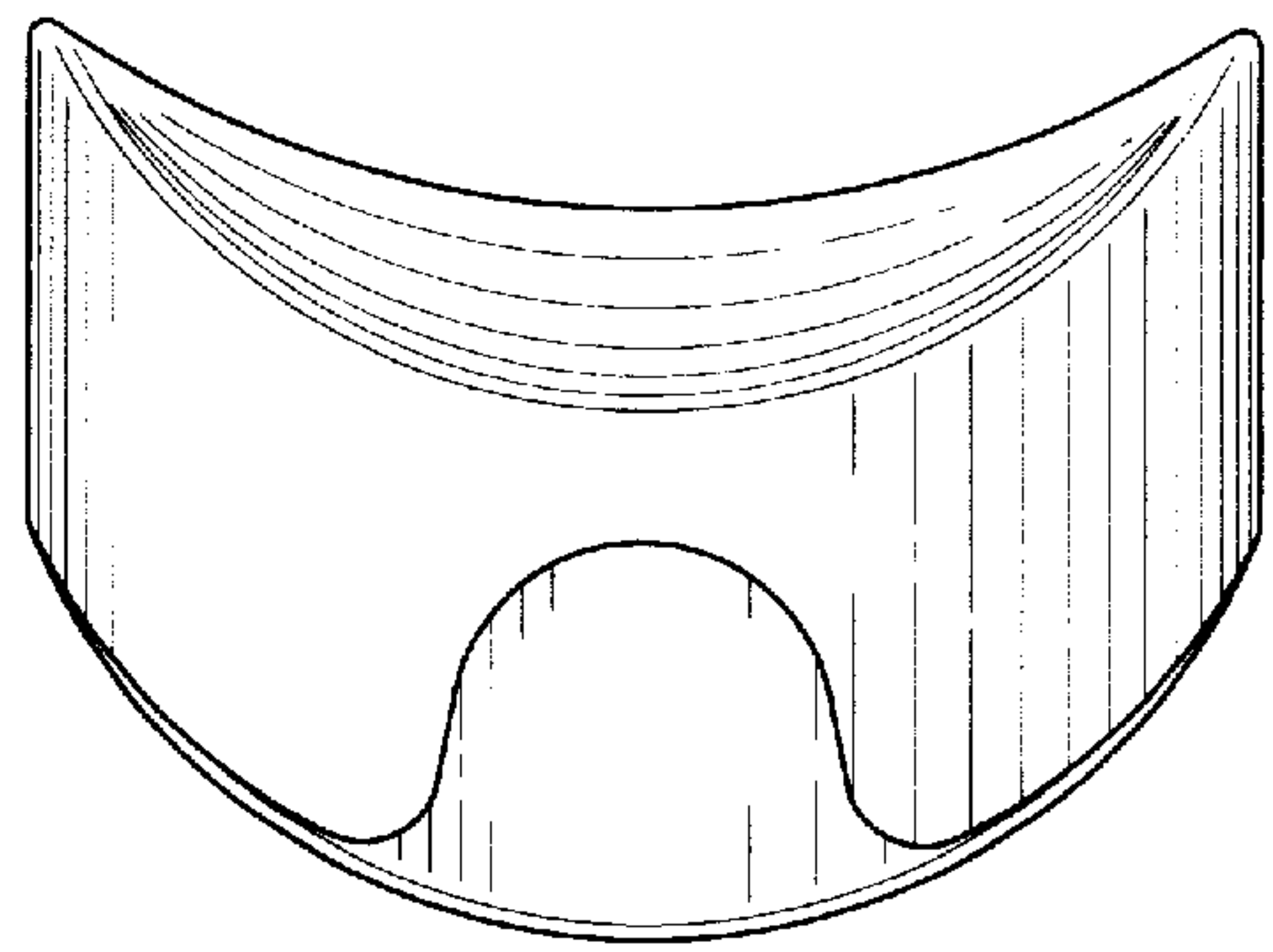


Fig. 1

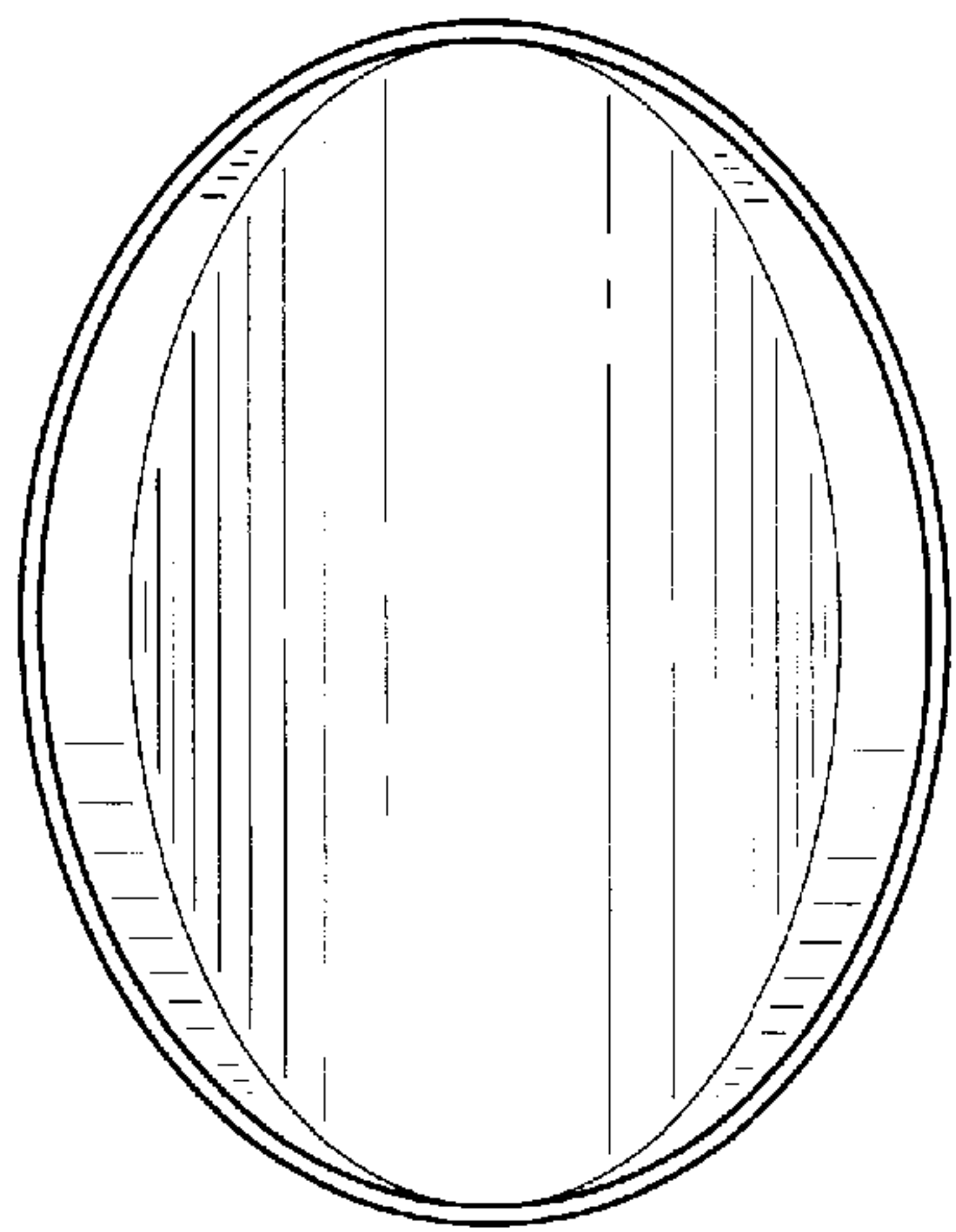


Fig. 4