



US00D456247S

(12) **United States Design Patent**
Castellanos et al.

(10) **Patent No.: US D456,247 S**

(45) **Date of Patent: ** Apr. 30, 2002**

(54) **ONE PIECE ASSEMBLY OF CONTAINER AND UTENSIL**

(75) Inventors: **Carolina Alejandra Castellanos, DeForest; Kyle Robert Karsten, Sun Prairie, both of WI (US)**

(73) Assignee: **Kraft Foods Holdings, Inc., Northfield, IL (US)**

(**) Term: **14 Years**

(21) Appl. No.: **29/131,159**

(22) Filed: **Oct. 16, 2000**

(51) **LOC (7) Cl. 09-03**

(52) **U.S. Cl. D9/347; D9/425**

(58) **Field of Search** D9/341, 346, 347, D9/425, 426, 432, 428, 429, 337; D7/550.1, 553.1-553.6, 555, 602; 206/216, 557, 561, 563; 229/406, 407, 902-906, 915, 938; 426/126, 120, 128, 129, 130, 113, 114, 115; 220/556, 500, 506, 521

(56) **References Cited**

U.S. PATENT DOCUMENTS

1,514,379 A	11/1924	Fleischer	
1,848,066 A *	3/1932	Shepard et al.	D7/555 X
3,381,876 A *	5/1968	Biggins	220/574
3,624,787 A	11/1971	Newman	220/60 R
3,704,779 A *	12/1972	Nigg	220/556
4,013,798 A *	3/1977	Goltsos	220/556
4,060,176 A	11/1977	Tobiasson	220/212
4,216,875 A	8/1980	Stanish	220/212

D324,651 S *	3/1992	Kaneko	D9/418
5,236,119 A *	8/1993	Chu	220/556
5,443,174 A	8/1995	Bauer	220/212
D379,301 S *	5/1997	Lippincott	D9/347
5,727,679 A	3/1998	Newarski	206/222
5,747,084 A *	5/1998	Cochran et al.	426/110
D395,003 S *	6/1998	Daniels	D9/347
D398,524 S *	9/1998	Waterhouse	D9/347
5,992,667 A	11/1999	Huang	220/212
6,003,710 A	12/1999	Huang	220/212
D429,147 S *	8/2000	Baker et al.	D9/347
D432,409 S *	10/2000	Feldmeier	D9/347

* cited by examiner

Primary Examiner—Prabhakar Deshmukh

(74) *Attorney, Agent, or Firm*—Fitch, Even, Tabin & Flannery

(57) **CLAIM**

The ornamental design for one piece assembly of container and utensil, as shown and described.

DESCRIPTION

FIG. 1 is a perspective view of an assembly of container and utensil showing our new design;
FIG. 2 is a top plan view thereof;
FIG. 3 is a bottom plan view thereof;
FIG. 4 is an elevational view taken from one side thereof;
FIG. 5 is a front elevational view thereof;
FIG. 6 is an elevational view taken from the other side thereof; and,
FIG. 7 is a rear elevational view thereof.

1 Claim, 4 Drawing Sheets

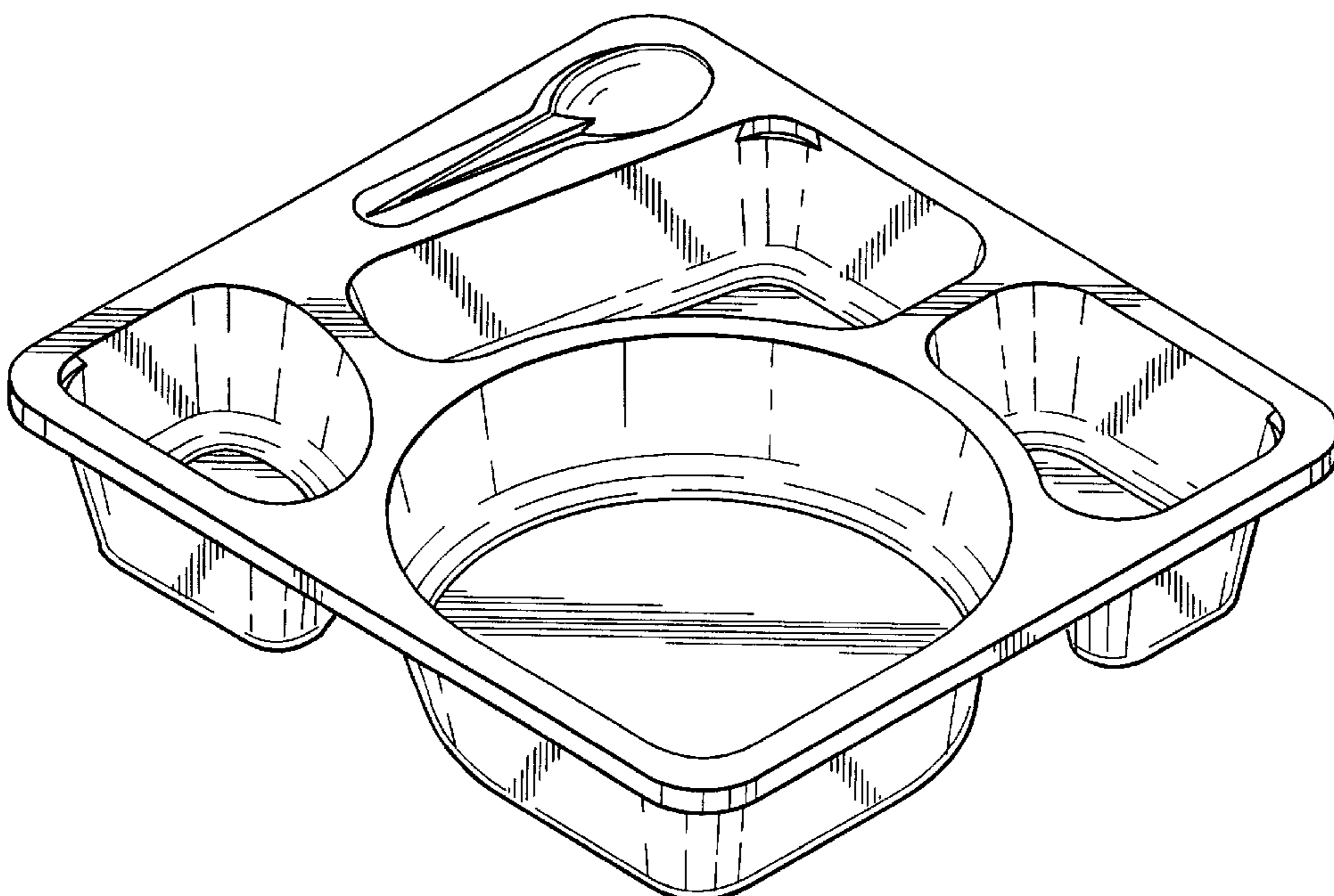


Fig. 1

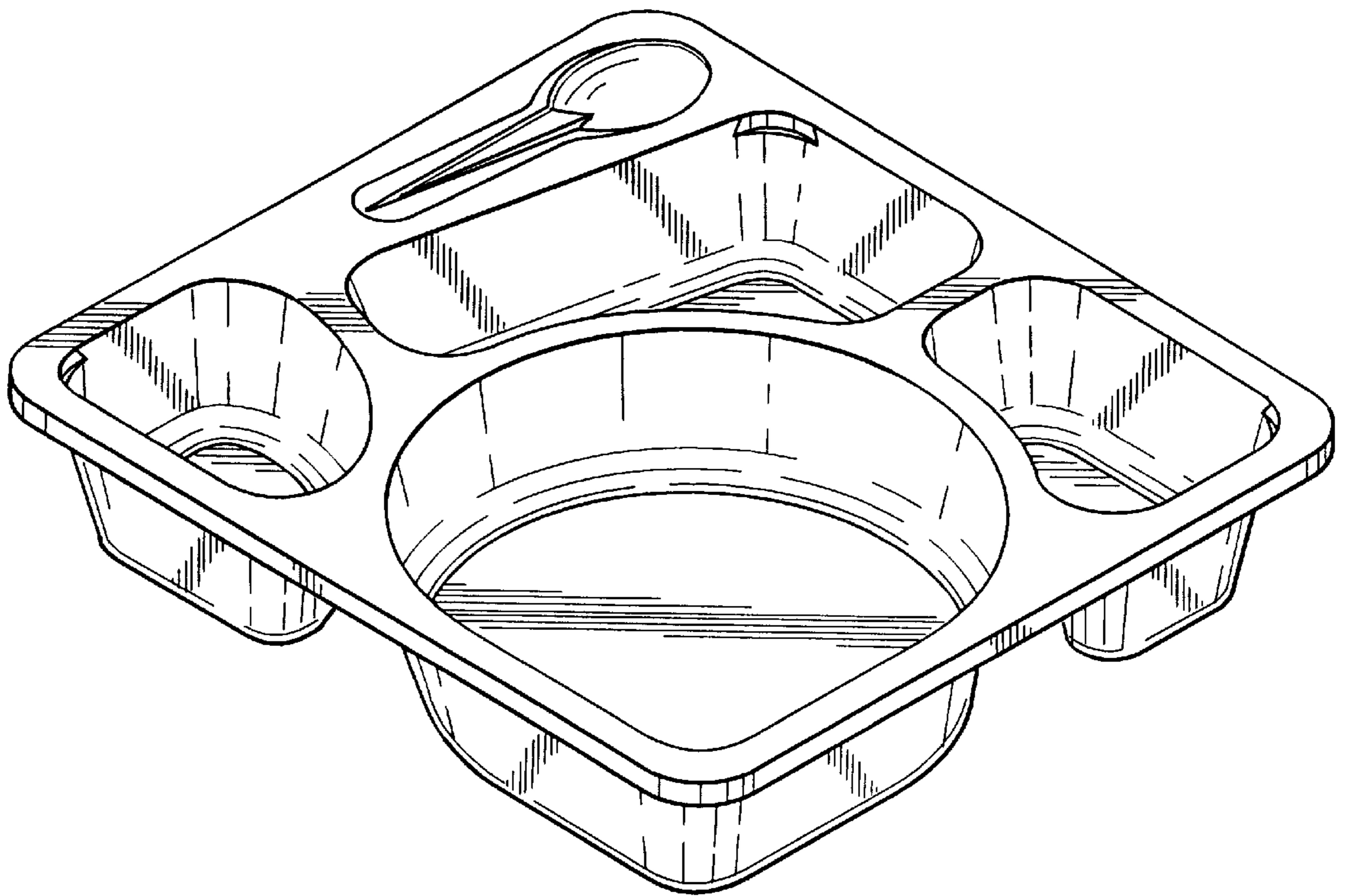


Fig. 2

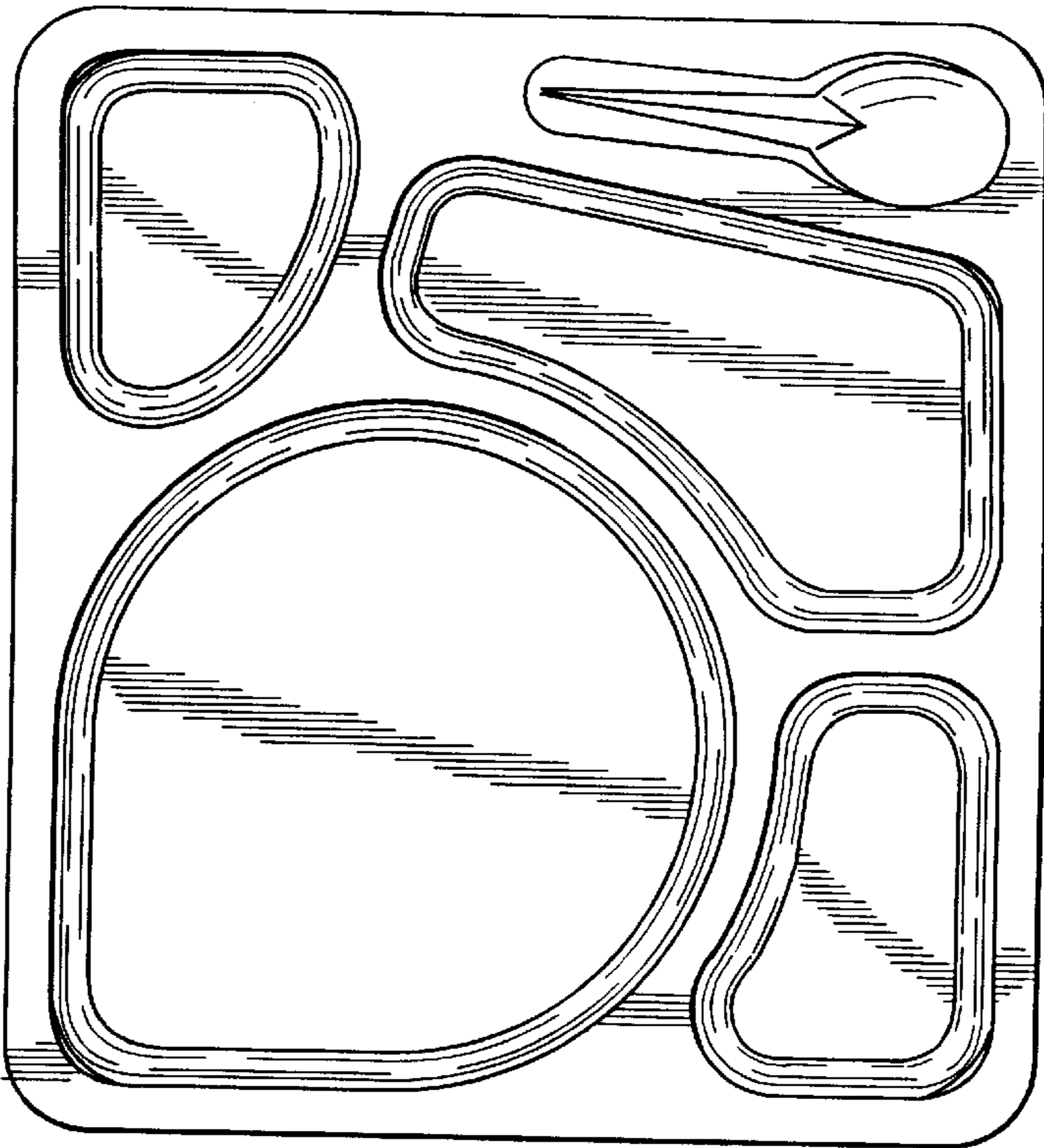


Fig. 3

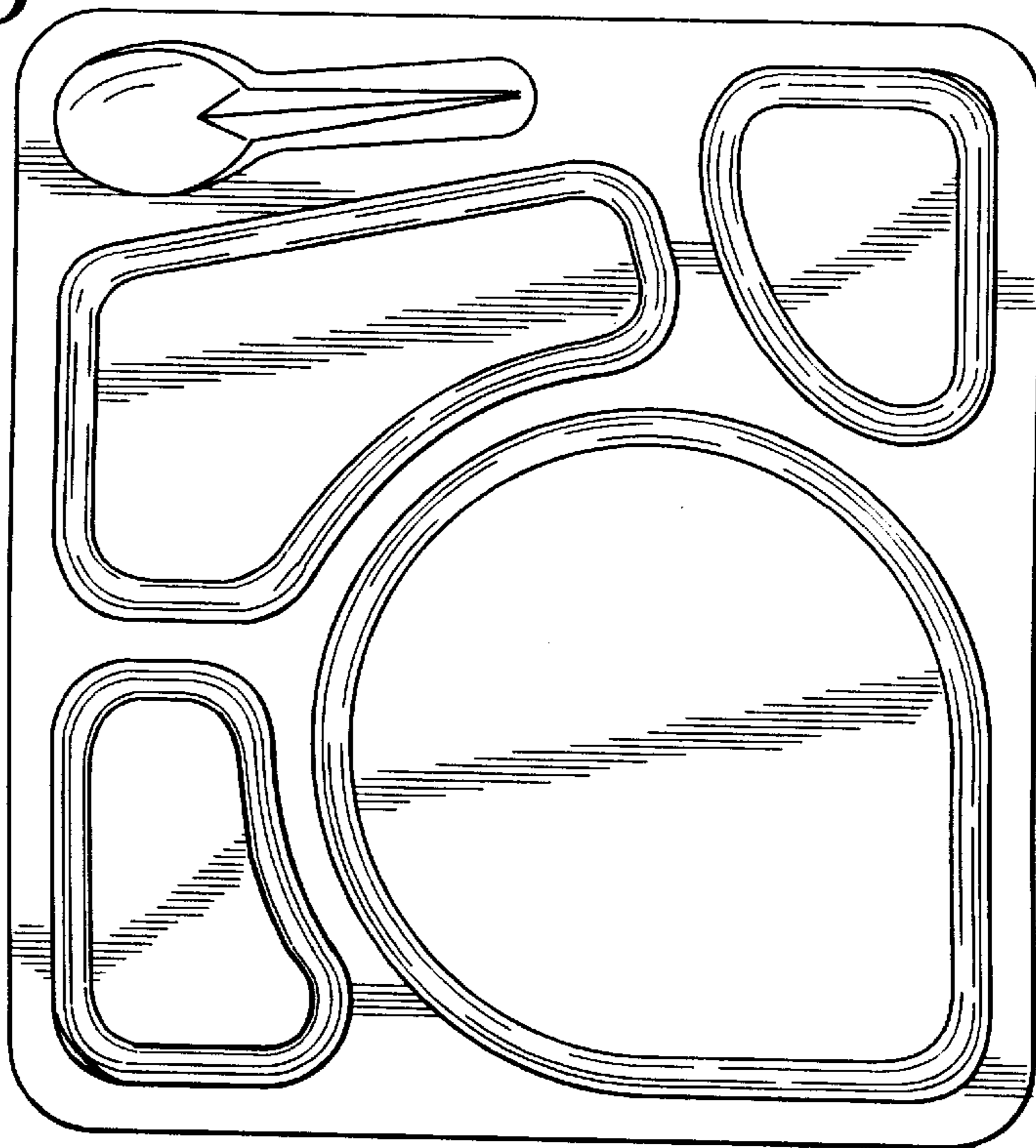


Fig. 4

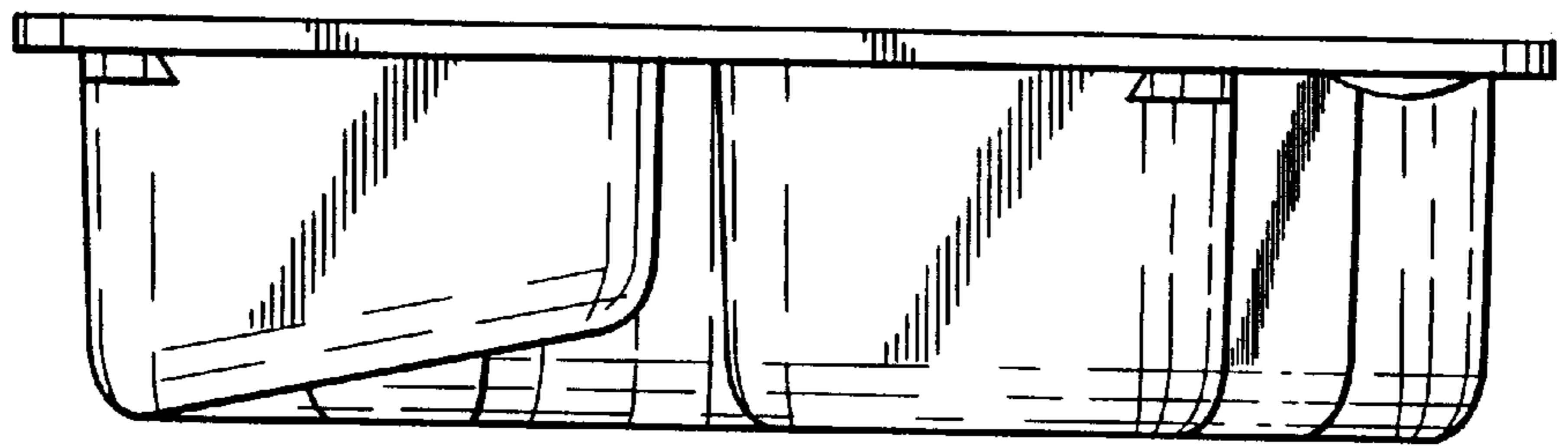


Fig. 5

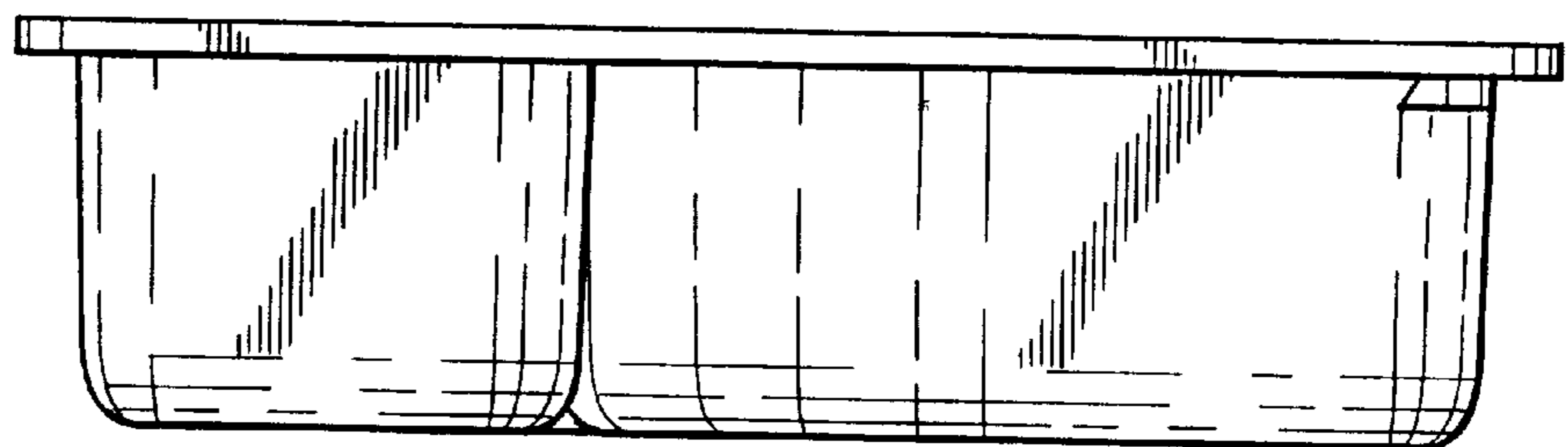


Fig. 6

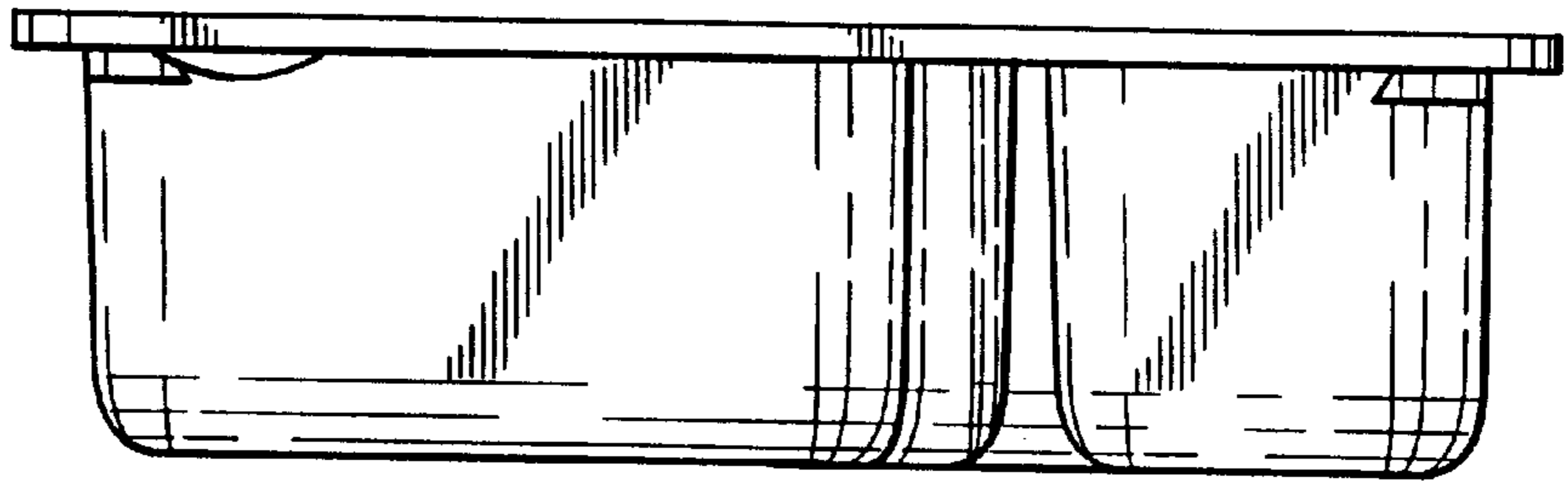


Fig. 7

