



US00D456242S

(12) **United States Design Patent**
Stekelenburg

(10) **Patent No.:** **US D456,242 S**

(45) **Date of Patent:** **** Apr. 30, 2002**

(54) **CABLE REEL**

D449,974 S * 11/2001 Stekelenburg D8/358

(75) Inventor: **Albert Stekelenburg**, Taipei (TW)

* cited by examiner

(73) Assignee: **All-Line Inc.**, Taipei (TW)

Primary Examiner—Doris V. Coles

Assistant Examiner—Elizabeth A. Albert

(**) Term: **14 Years**

(74) *Attorney, Agent, or Firm*—Troxell Law Office PLLC

(21) Appl. No.: **29/140,037**

(57) **CLAIM**

(22) Filed: **Apr. 12, 2001**

The ornamental design for a cable reel, as shown and described.

(51) **LOC (7) Cl.** **08-05**

DESCRIPTION

(52) **U.S. Cl.** **D8/358**

(58) **Field of Search** D8/358, 359; 191/12.2 R,
191/12.4; 242/371, 379, 388.1, 395, 396.1,
398, 399, 402, 404, 405.3; 439/501

FIG. 1 is a top view of a cable reel showing my new design;

FIG. 2 is a front view thereof;

FIG. 3 is a right side elevational view thereof;

FIG. 4 is a bottom view thereof;

FIG. 5 is a left side elevational view thereof; and,

FIG. 6 is a rear view thereof.

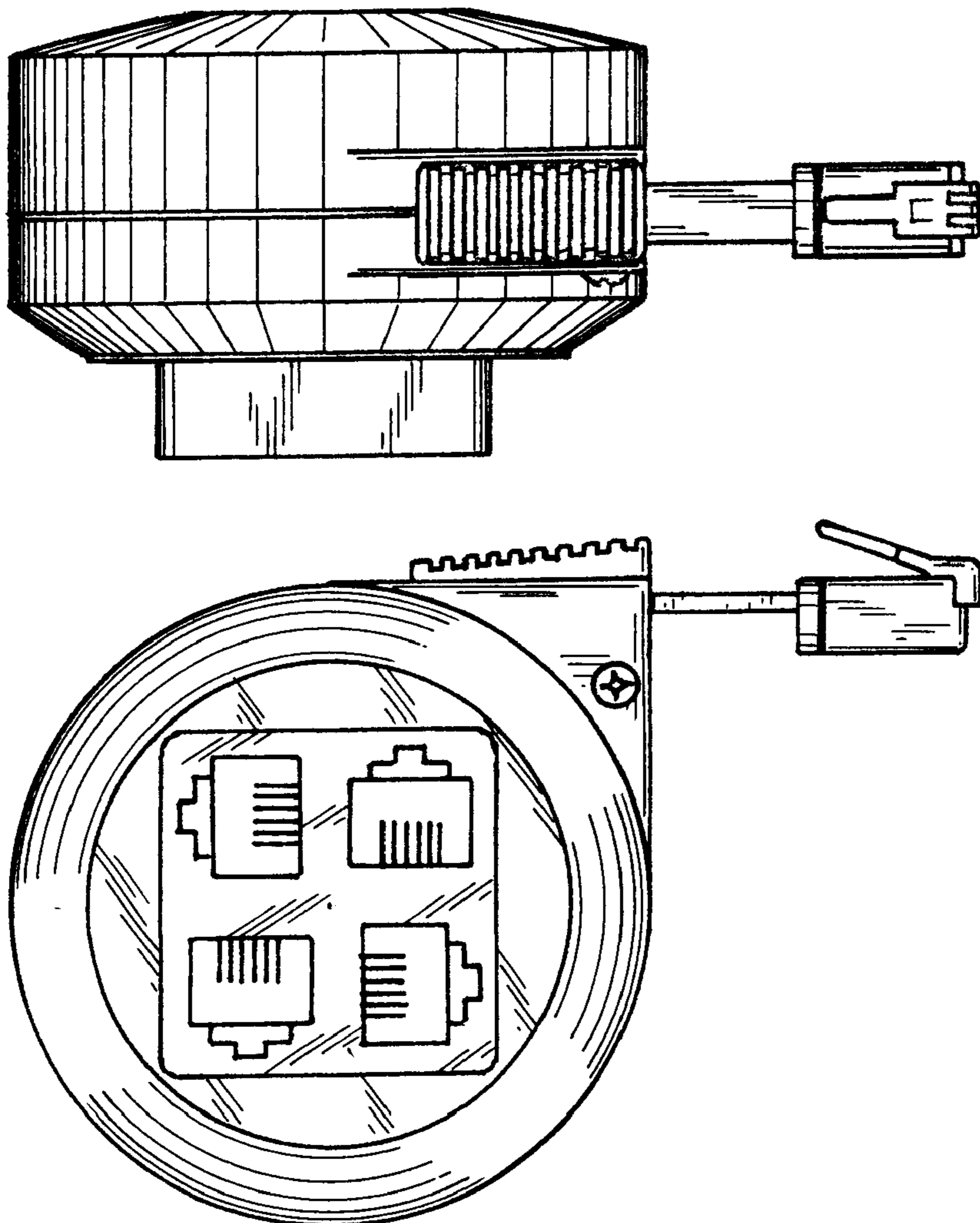
(56) **References Cited**

U.S. PATENT DOCUMENTS

D324,644 S * 3/1992 Jacobs D8/356

D377,447 S * 1/1997 Blye D8/358

1 Claim, 2 Drawing Sheets



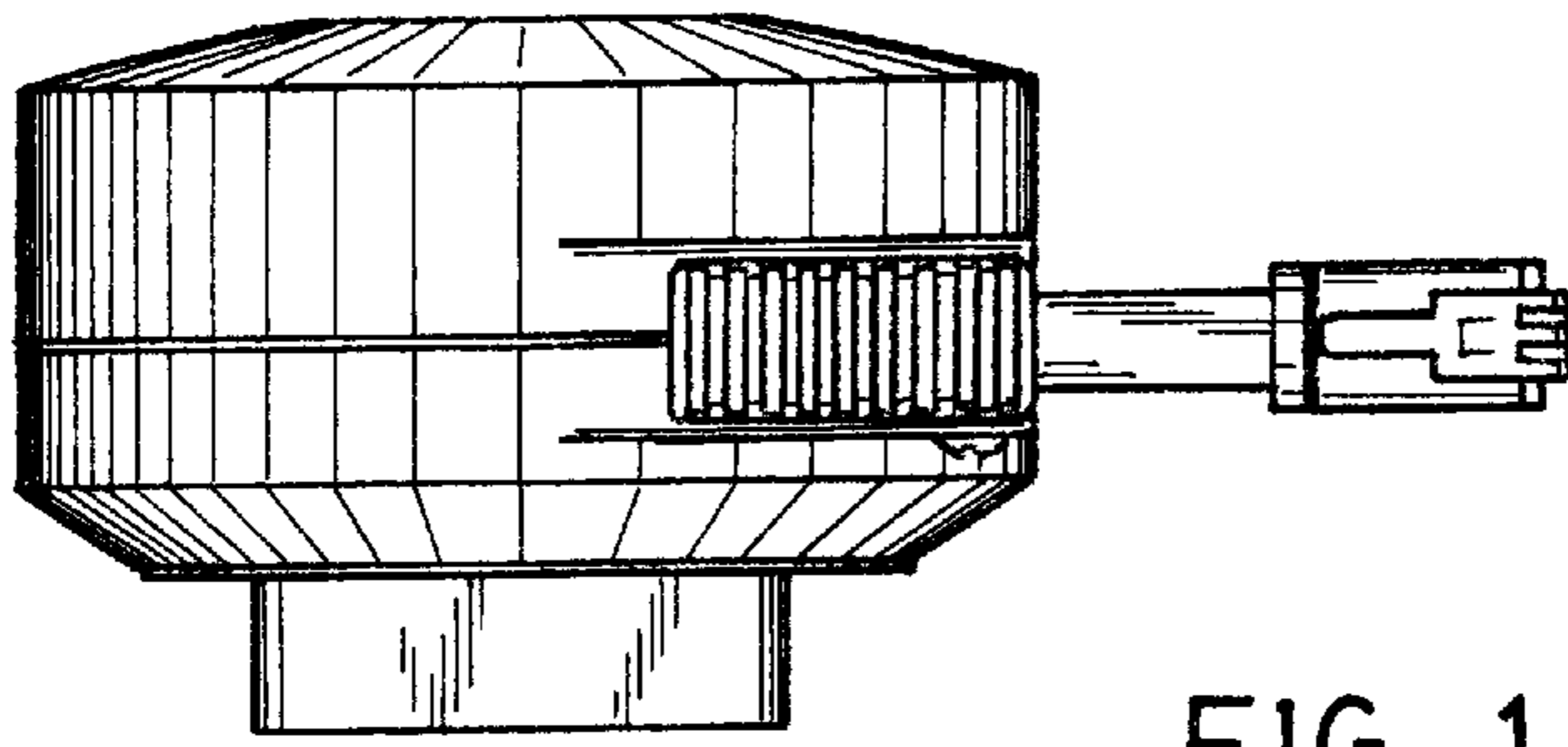


FIG. 1

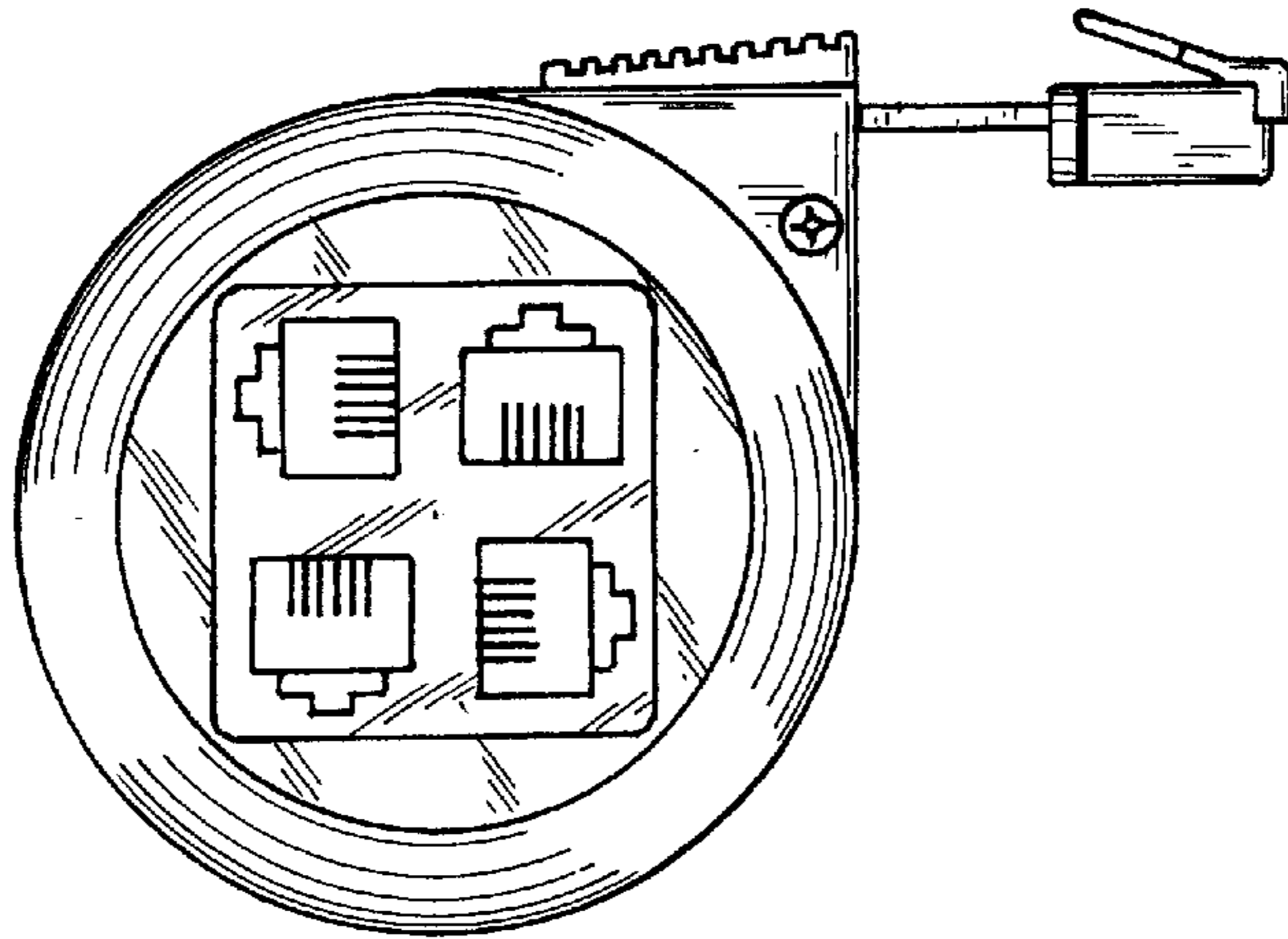


FIG. 2

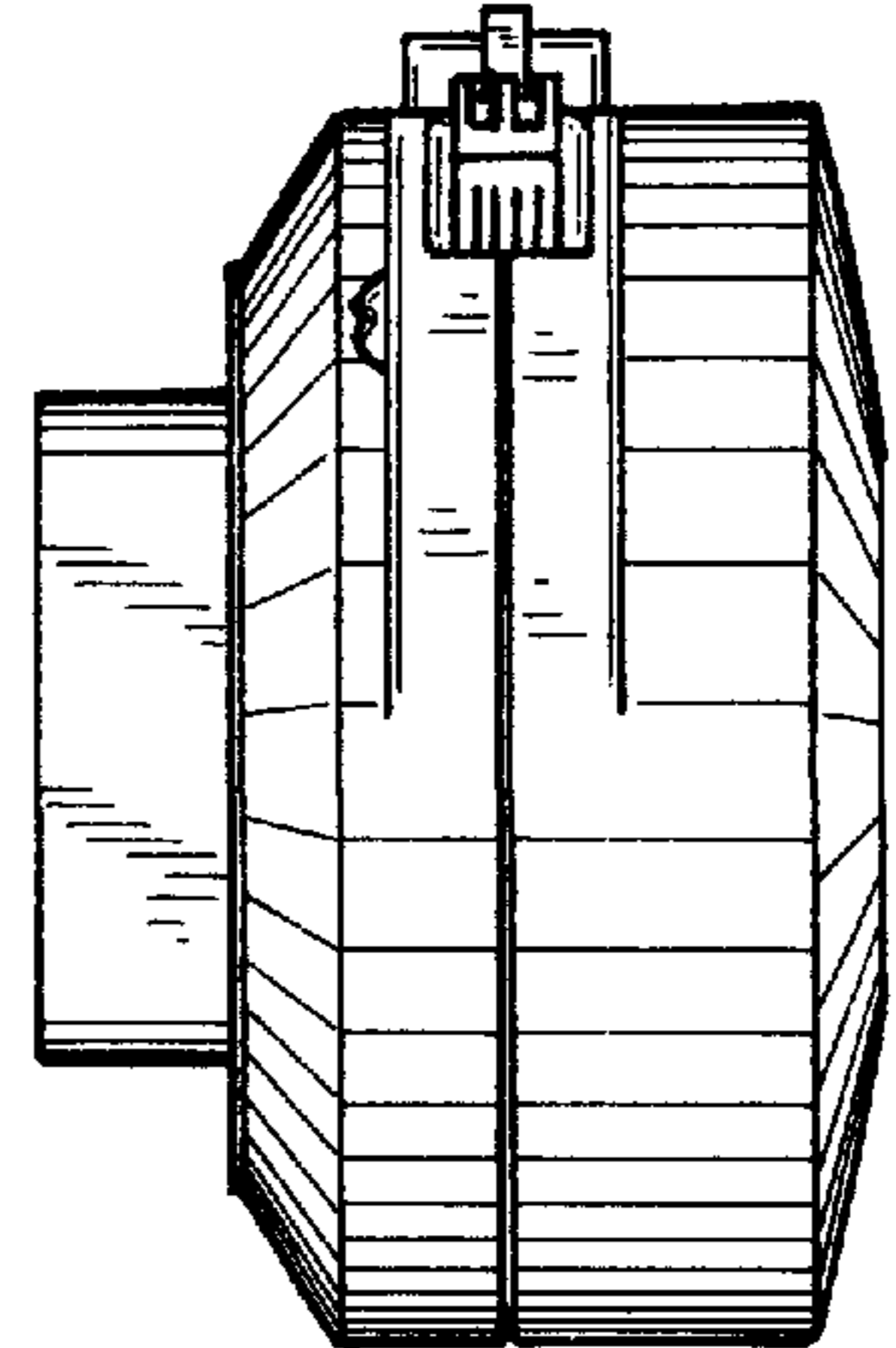


FIG. 3

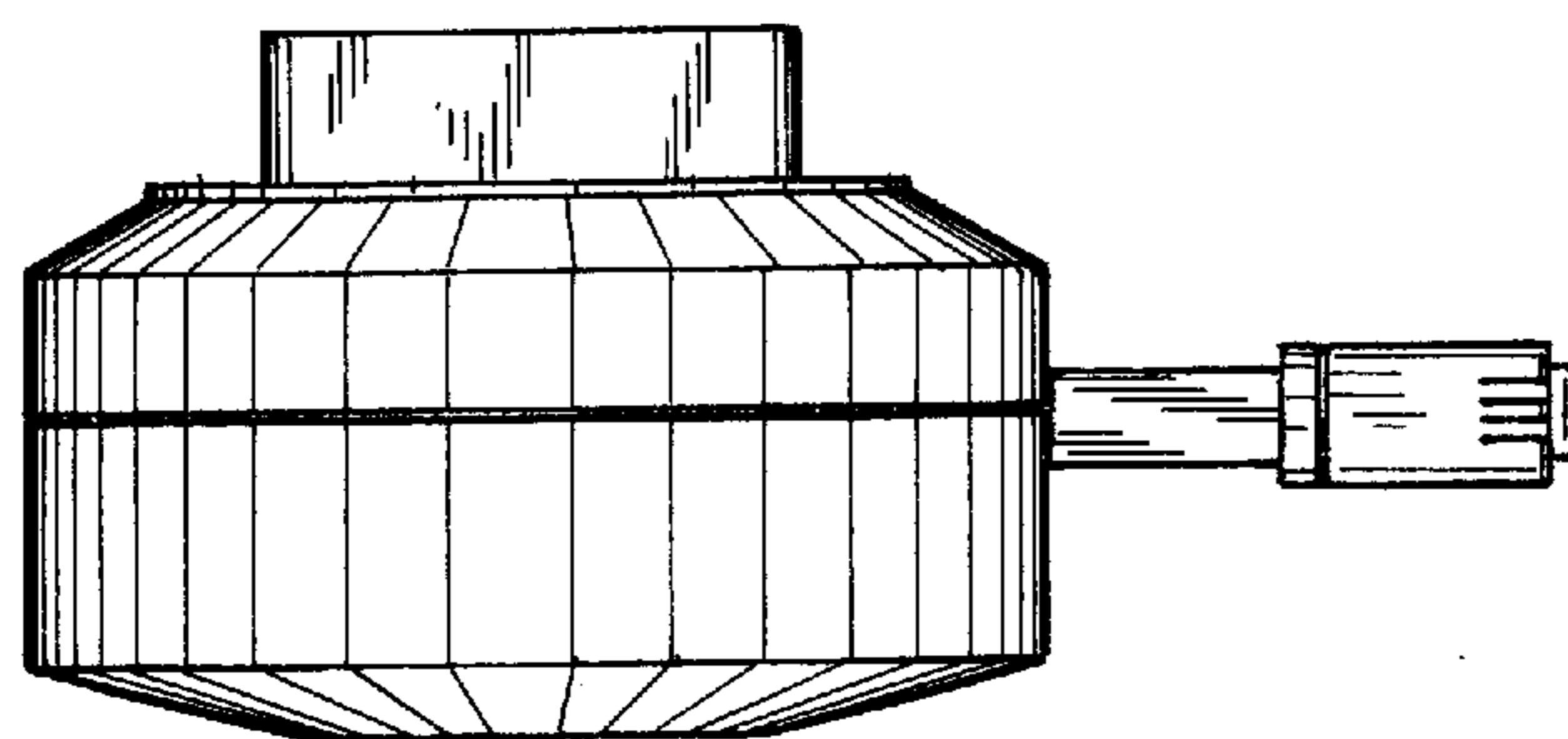


FIG. 4

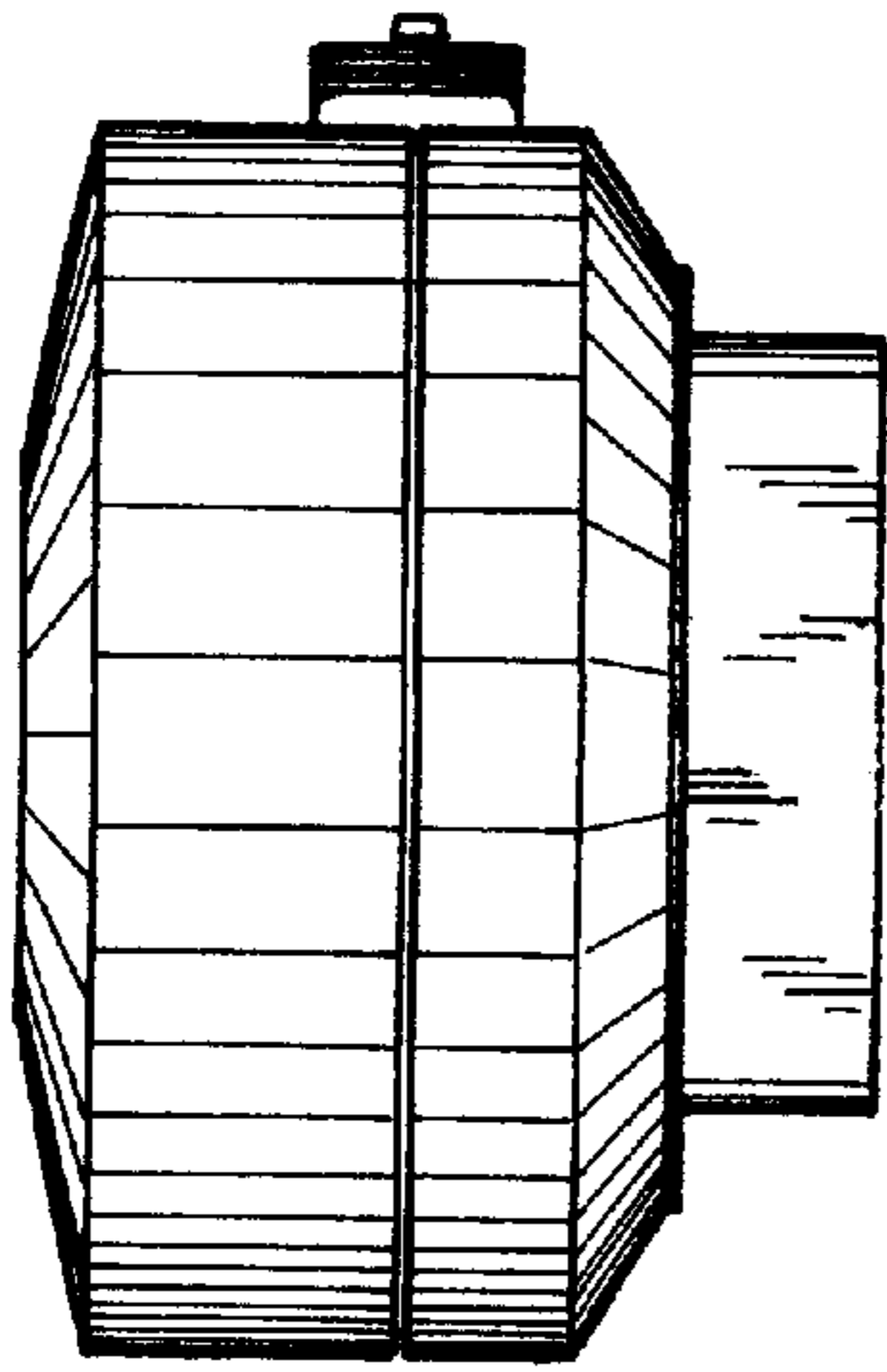


FIG. 5

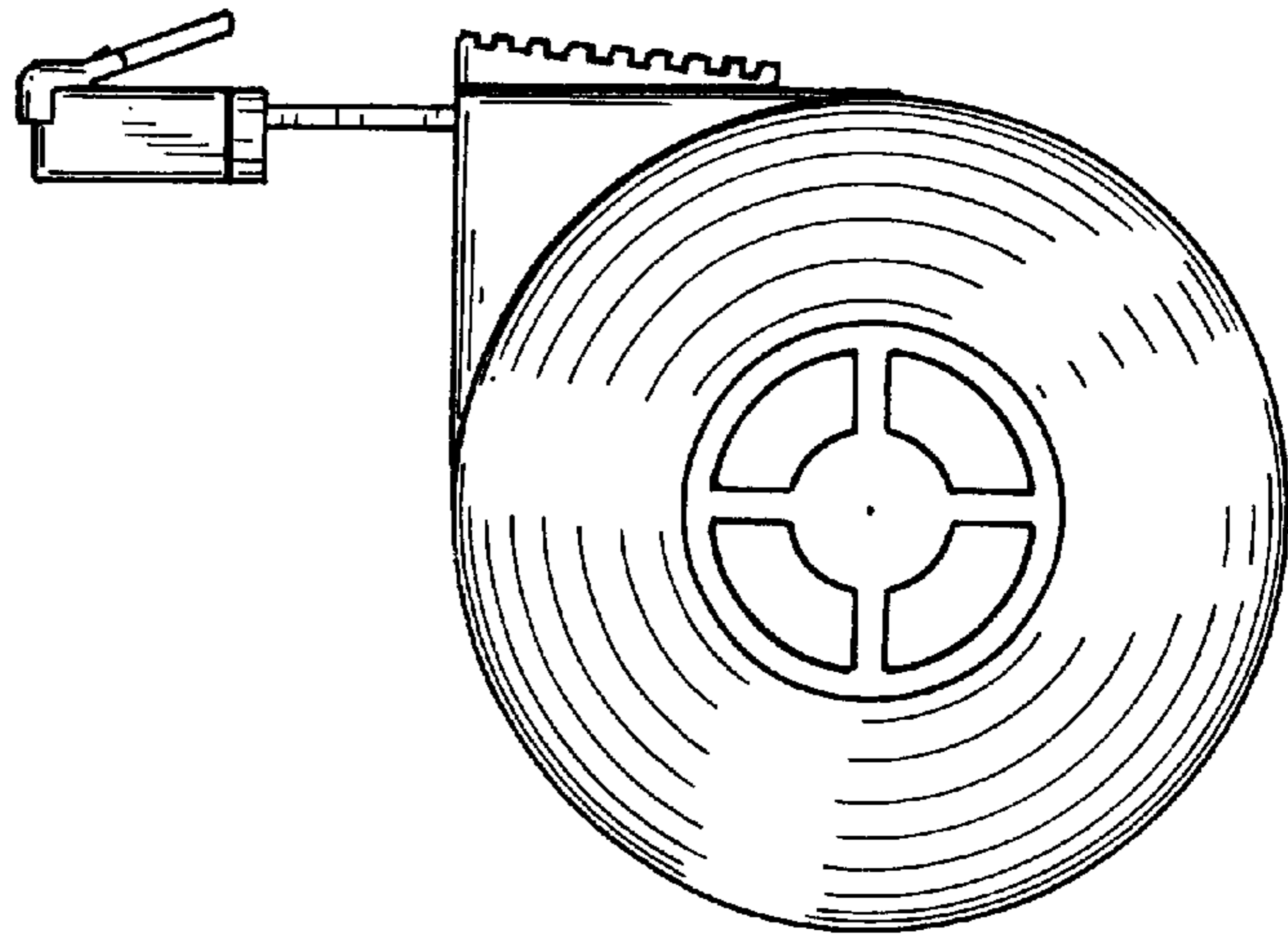


FIG. 6