



US00D456239S

(12) **United States Design Patent**
Luu

(10) **Patent No.:** **US D456,239 S**

(45) **Date of Patent:** **** Apr. 30, 2002**

(54) **WALL PLATE**

(75) Inventor: **Lionel V. Luu**, Anaheim, CA (US)

(73) Assignee: **Pacusma Company, Ltd.**, Kowloon (HK)

(**) Term: **14 Years**

(21) Appl. No.: **29/142,189**

(22) Filed: **May 22, 2001**

D401,566 S * 11/1998 Gesmondi et al.

D407,072 S * 3/1999 Gaule

D421,741 S * 3/2000 Lien

* cited by examiner

Primary Examiner—B. J. Bullock

(74) *Attorney, Agent, or Firm*—Dickstein, Shapiro, Morin & Oshinsky, LLP

(57) **CLAIM**

The ornamental design for a wall plate, as shown and described.

Related U.S. Application Data

(62) Division of application No. 29/113,882, filed on Nov. 16, 1999, now Pat. No. Des. 443,500.

(51) **LOC (7) Cl.** **11-05**

(52) **U.S. Cl.** **D8/353; D14/242; D14/256**

(58) **Field of Search** D8/350, 353; D13/177, D13/139.6, 137.3, 133, 146, 139.8, 139.5; D26/51, 26; D14/101, 107, 125, 242, 256; 174/66; 439/107, 536, 540, 490; 362/95, 226, 406; 220/241

(56) **References Cited**

U.S. PATENT DOCUMENTS

- D212,760 S * 11/1968 Bordner
- D230,274 S * 2/1974 Pulos
- 4,000,405 A * 12/1976 Horwinski
- D281,417 S * 11/1985 Guichard
- 4,611,264 A * 9/1986 Bradley
- 4,872,081 A * 10/1989 Murphy et al.
- D305,641 S * 1/1990 DeLuca
- 5,114,365 A * 5/1992 Thompson et al.
- 5,414,587 A * 5/1995 Kiser et al.
- 5,473,517 A * 12/1995 Blackman
- D366,339 S * 1/1996 Waller
- 5,484,309 A * 1/1996 Howard et al.
- D366,878 S * 2/1996 Wakabayashi et al.
- 5,622,424 A * 4/1997 Brady
- D395,314 S * 6/1998 Oikawa
- D399,825 S * 10/1998 Heung et al.

DESCRIPTION

FIG. 1 is a perspective view of a first embodiment of the design, showing a wall plate having a built-in modem.

FIG. 2 is a front view of the wall plate shown in FIG. 1, showing surge protection and ground indicator lights disposed on the top portion above the outlet openings.

FIG. 3 is a side view of the wall plate shown in FIG. 1.

FIG. 4 is a bottom view of the wall plate shown in FIG. 1.

FIG. 5 is a top view of the wall plate shown in FIG. 1, showing two modem ports, one for input and one for output.

FIG. 6 is a perspective view of a variant of the second embodiment of the design, showing a wall plate for a light switch in addition to electrical outlets, and having built-in cable or network connection capabilities.

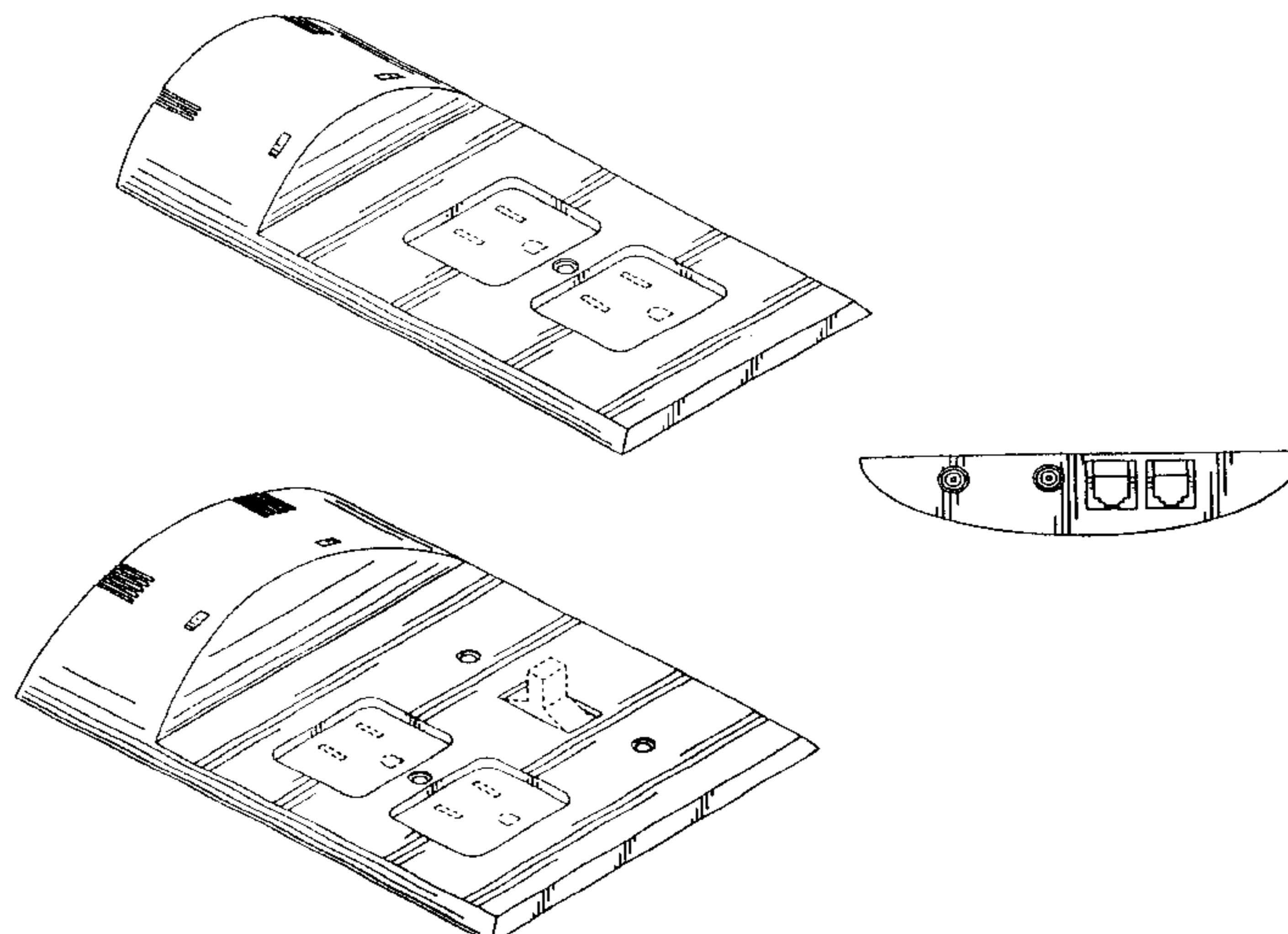
FIG. 7 is a front view of the wall plate shown in FIG. 6, showing surge protection and ground indicator lights disposed on the top portion above the outlet openings, and two coaxial cable connection ports extending from the top portion on the left side of the figure.

FIG. 8 is a side view of the wall plate shown in FIG. 6.

FIG. 9 is a bottom view of the wall plate shown in FIG. 6; and,

FIG. 10 is a top view of the wall plate shown in FIG. 6, showing the two coaxial cable connection ports, one for input and one for output, provided on the left side of this surface, and the two coaxial connections ports, one for input and one for output, provided on the right side of this surface.

1 Claim, 2 Drawing Sheets



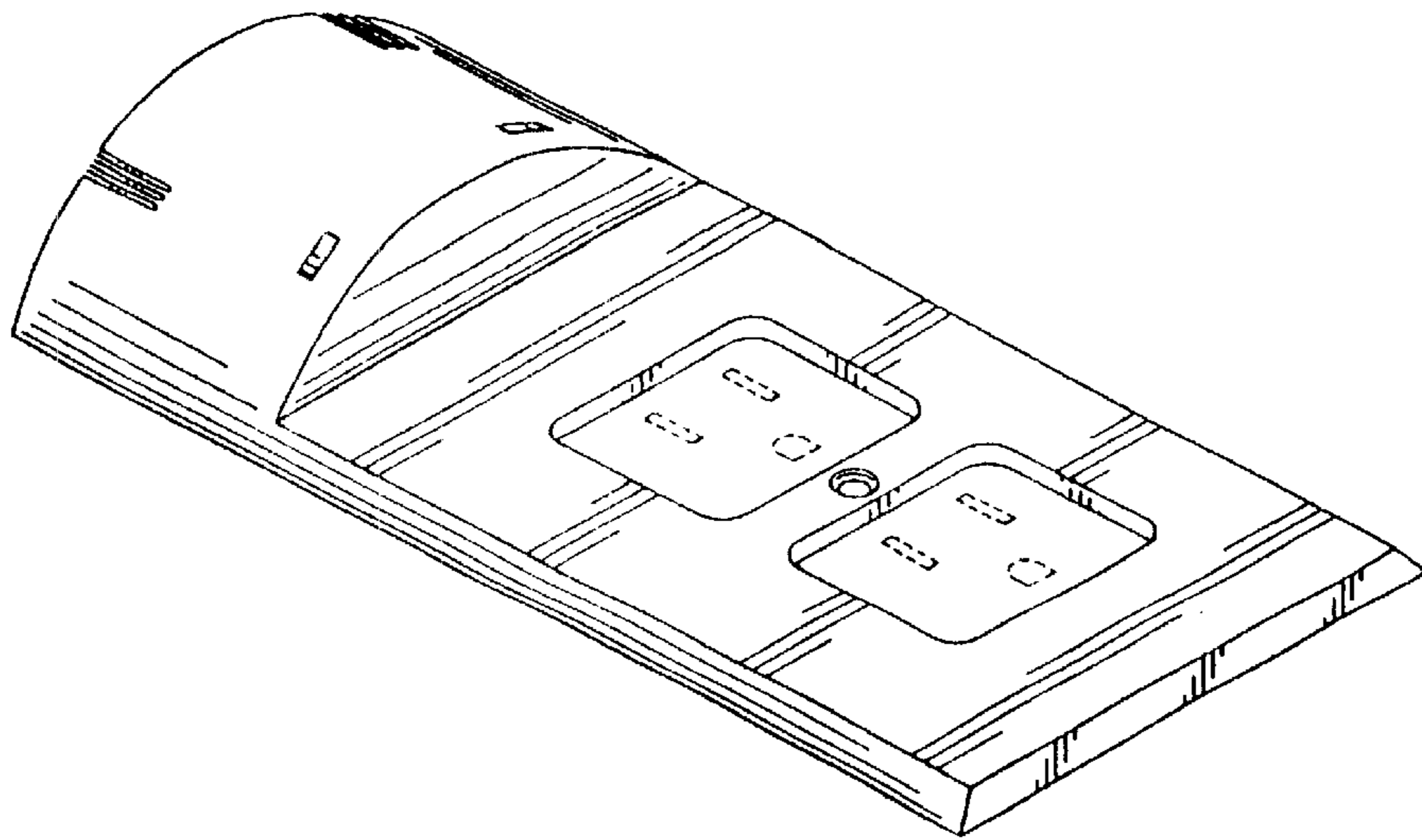


FIG. 1

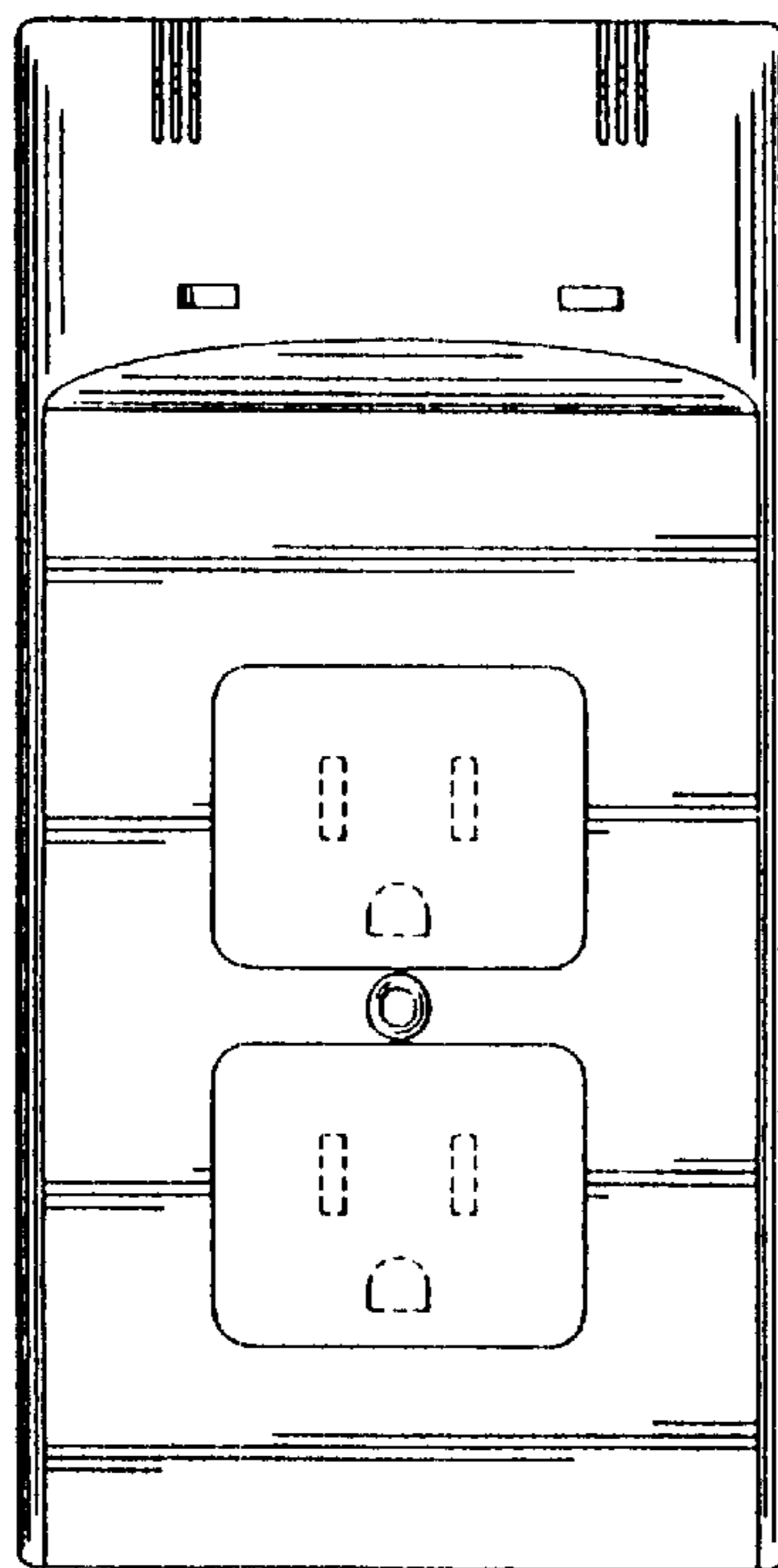


FIG. 2



FIG. 3



FIG. 4

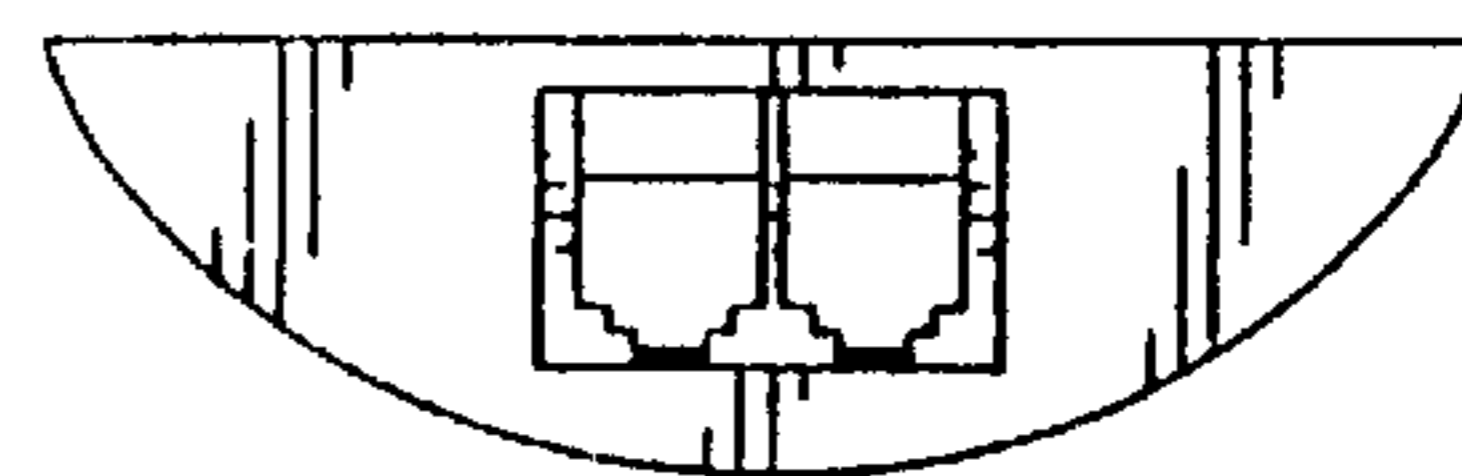


FIG. 5

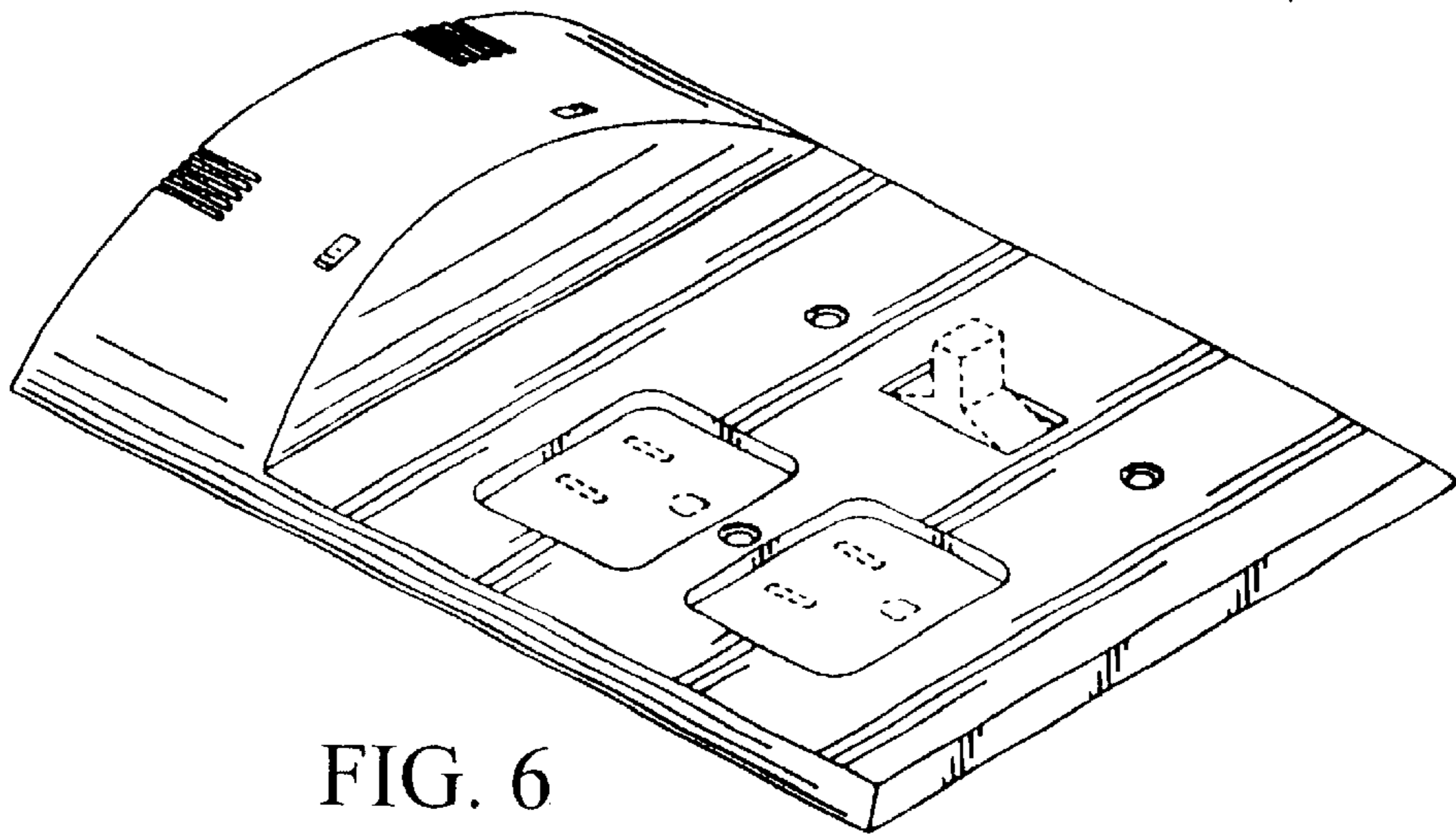


FIG. 6

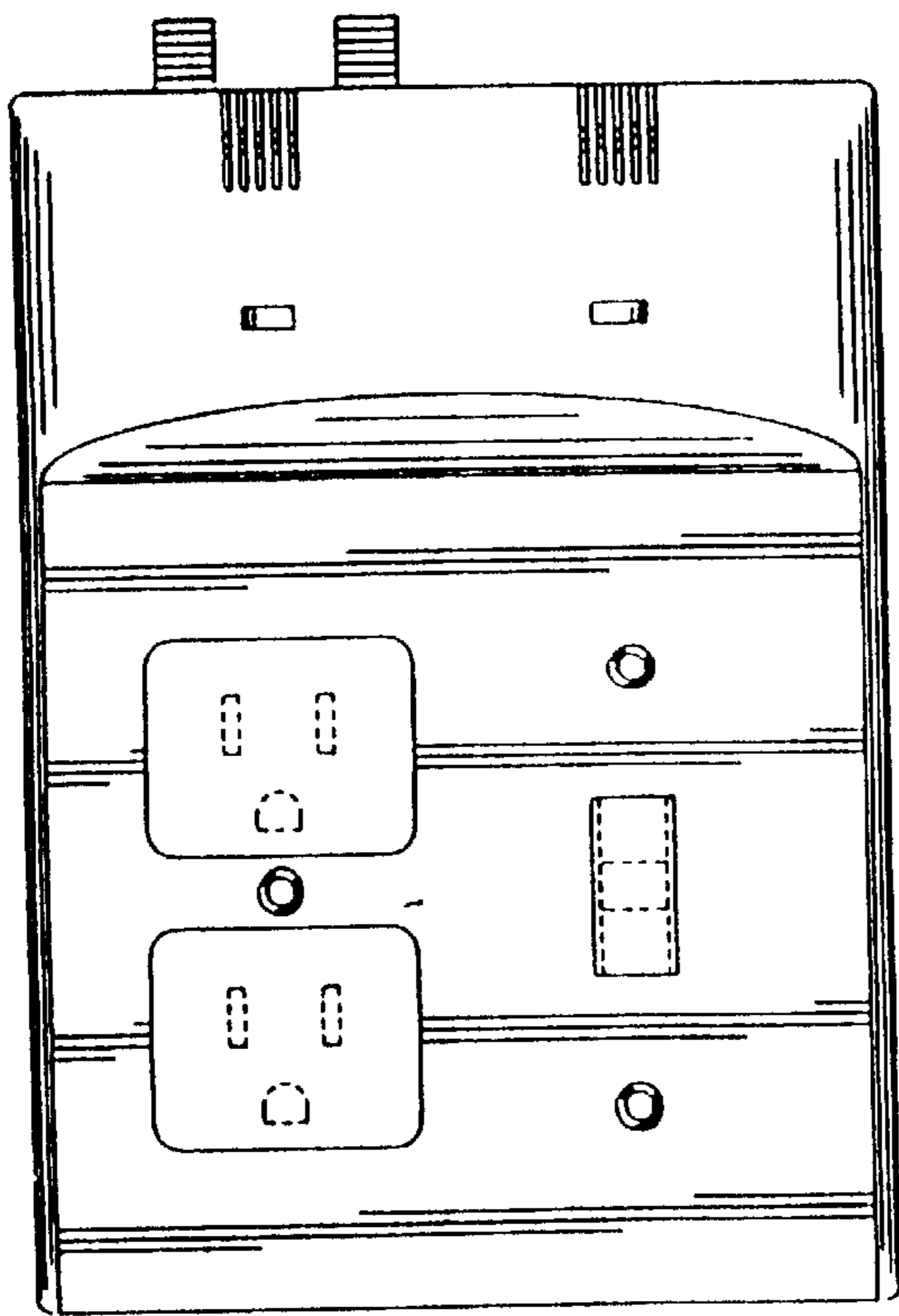


FIG. 7



FIG. 8

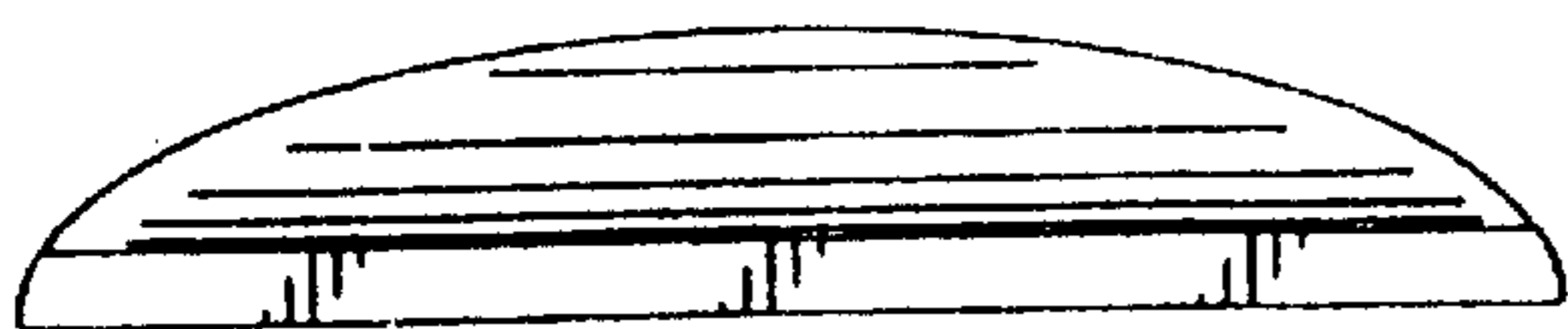


FIG. 9

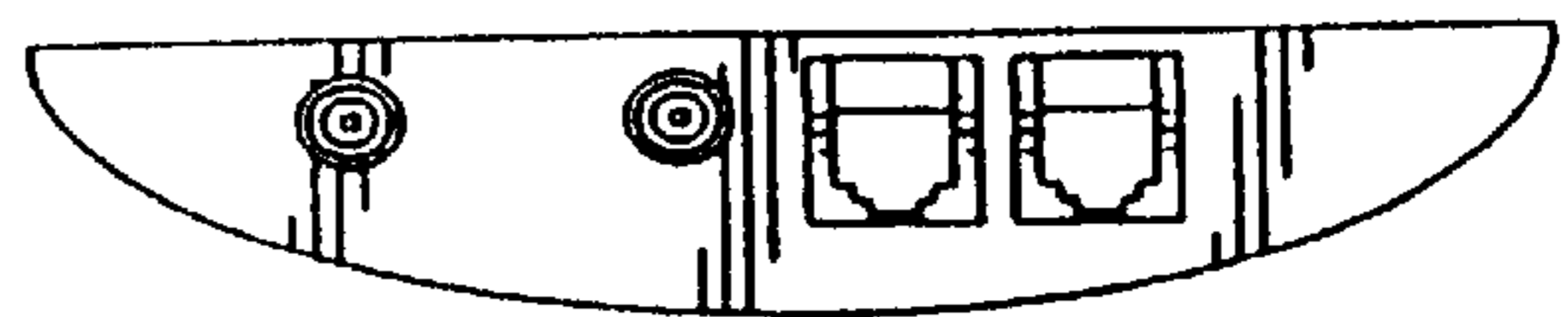


FIG. 10