



US00D456238S

(12) **United States Design Patent**
Staples

(10) **Patent No.:** **US D456,238 S**

(45) **Date of Patent:** **** Apr. 30, 2002**

- (54) **BASKETBALL HOOP LOCK**
- (75) Inventor: **James R. Staples**, 3111 Gilboa, Zion, IL (US) 60099
- (73) Assignee: **James R. Staples**, Zion, IL (US)
- (**) Term: **14 Years**
- (21) Appl. No.: **29/127,962**
- (22) Filed: **Aug. 14, 2000**

D398,346 S	9/1998	Wiedner	D21/201
D398,347 S	9/1998	Wiedner	D21/201
D399,895 S	10/1998	Schickert et al.	D21/200
5,816,948 A	10/1998	Davies, Jr. et al.	473/485
D400,607 S	11/1998	Wiedner	D21/201
D402,346 S	12/1998	Wiedner et al.	D21/781
D404,096 S	1/1999	Wiedner et al.	D21/701
D404,447 S	1/1999	Wiedner et al.	D21/701
5,881,583 A	3/1999	Booker et al.	70/57
D411,255 S	6/1999	Schickert et al.	D21/201

* cited by examiner

Related U.S. Application Data

- (63) Continuation-in-part of application No. 29/111,333, filed on Sep. 24, 1999, now abandoned.
- (51) **LOC (7) Cl.** **08-07**
- (52) **U.S. Cl.** **D8/339**
- (58) **Field of Search** D8/330, 331, 339, D8/341, 346; 70/14, 57, 158, 166, 167, 169; 473/479; 224/434

Primary Examiner—Jennifer Rivard
(74) *Attorney, Agent, or Firm*—Fitch, Even, Tabin & Flannery

CLAIM

(57) I claim the ornamental design for a basketball hoop lock, as shown and described.

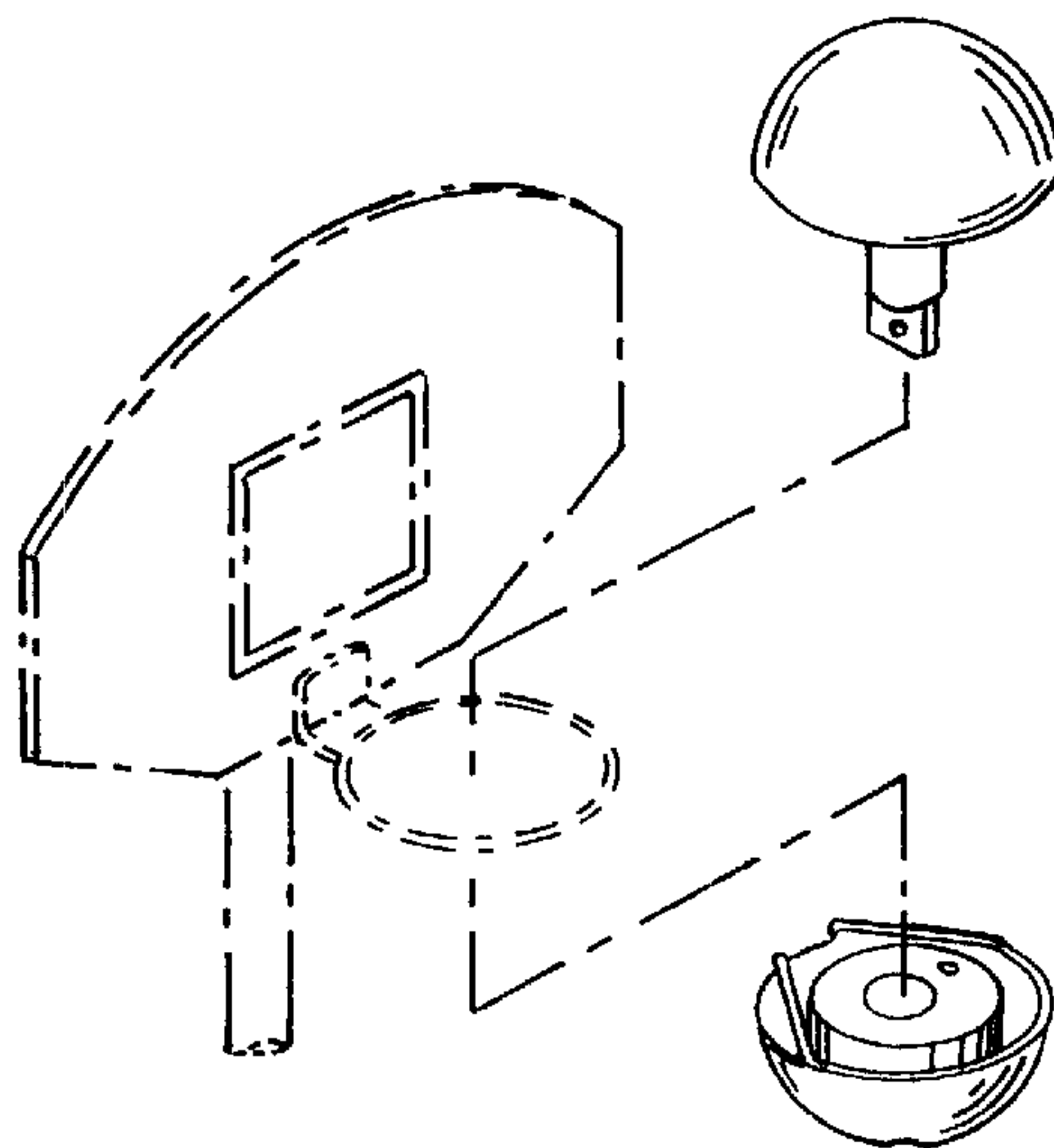
DESCRIPTION

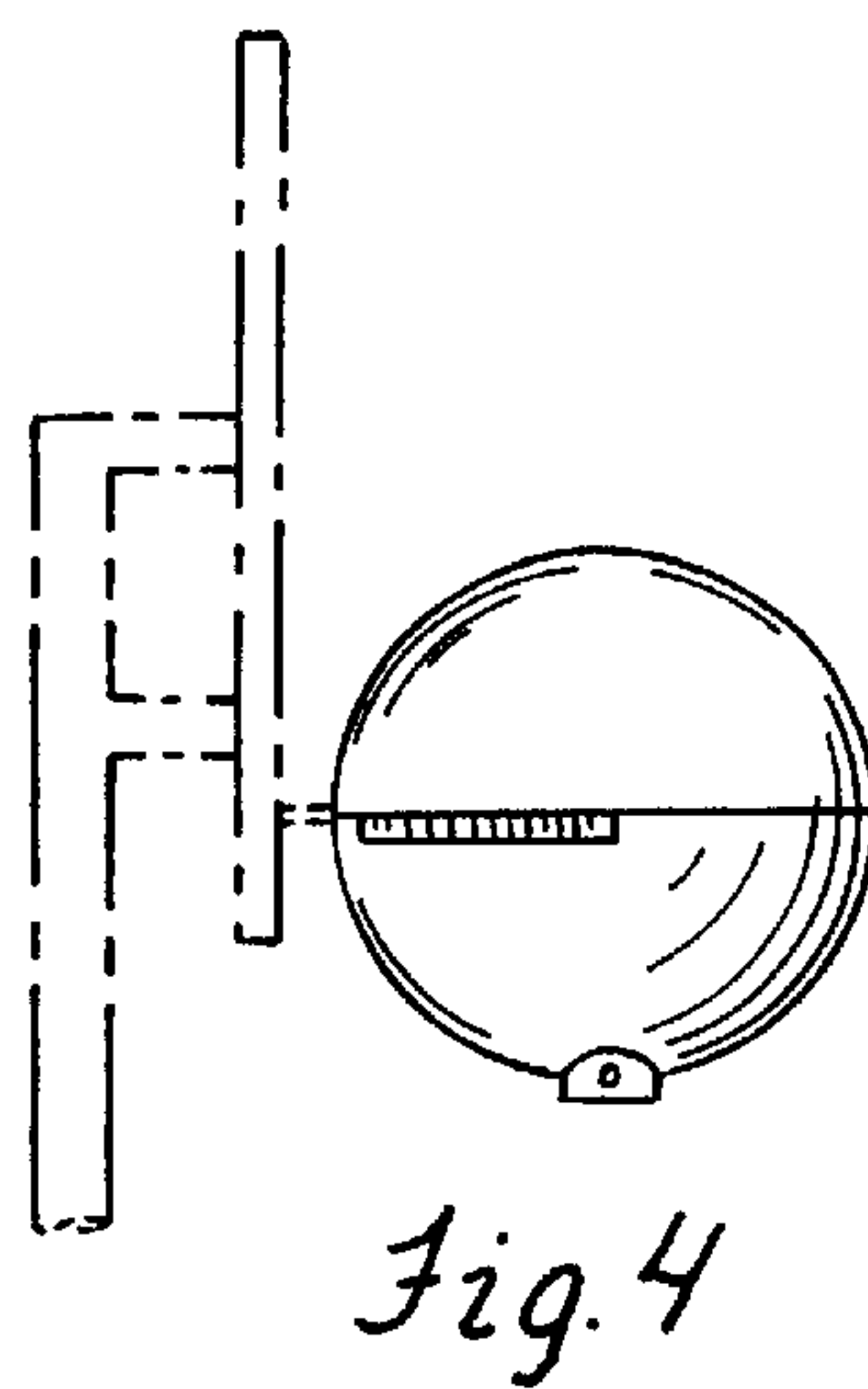
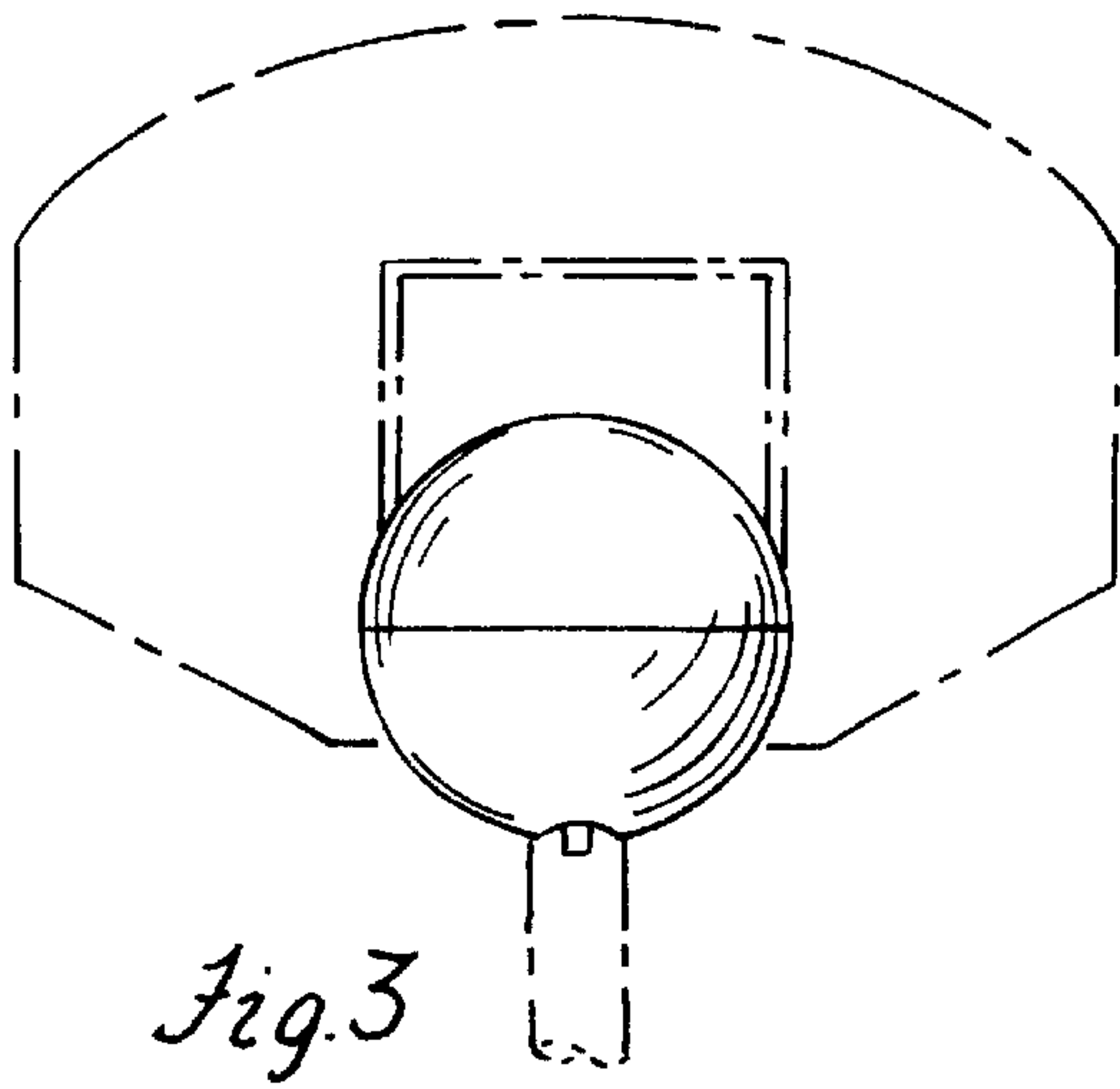
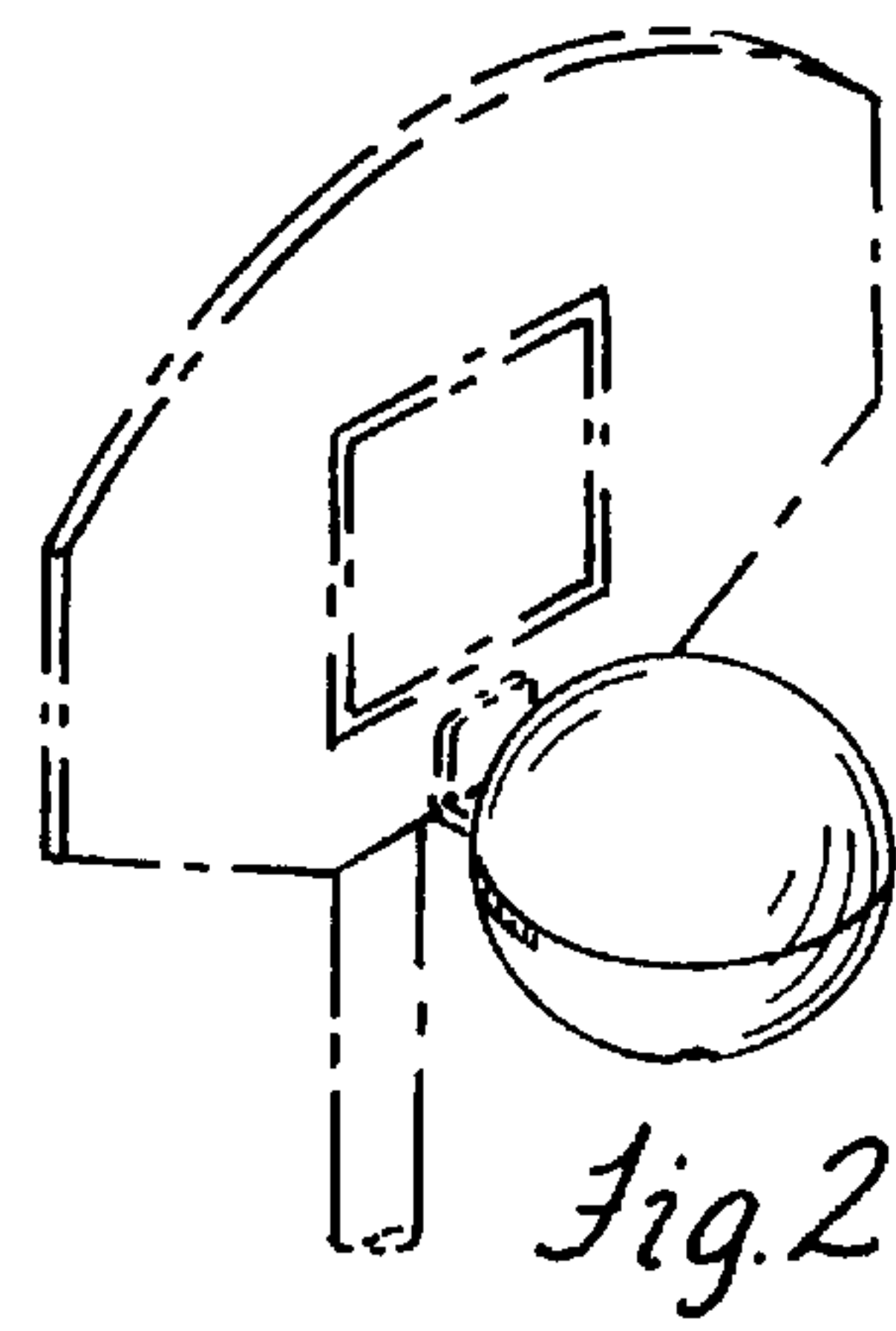
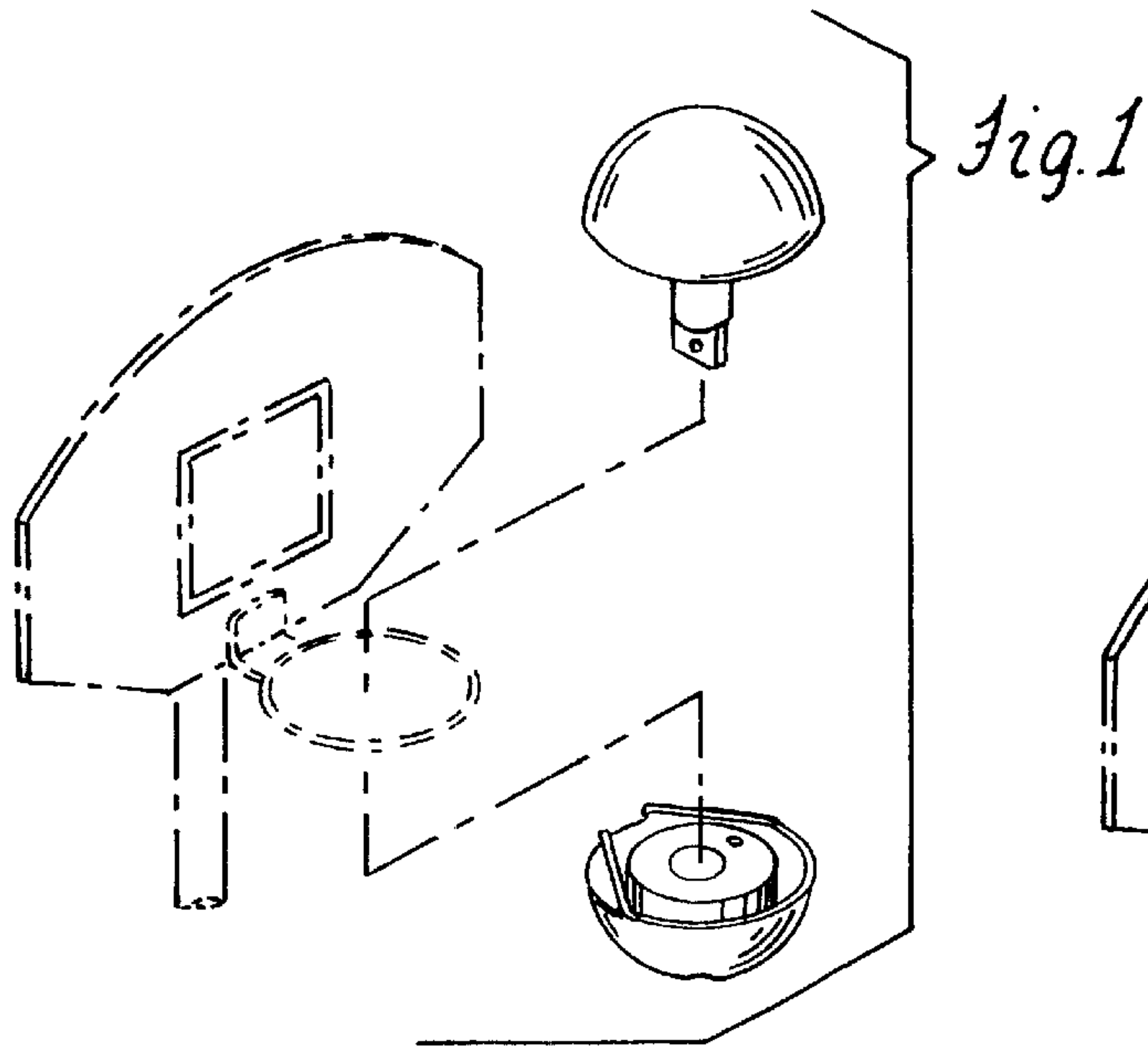
FIG. 1 is perspective of a basketball hoop lock showing my new invention in its open state;
 FIG. 2 is a perspective of the basketball hoop lock of FIG. 1 shown in its closed state;
 FIG. 3 is a front elevational view of the basketball hoop lock of FIG. 2;
 FIG. 4 is a left side elevational view of the basketball hoop lock of FIG. 2;
 FIG. 5 is a rear elevational view of the basketball hoop lock of FIG. 2;
 FIG. 6 is a right side elevational view of the basketball hoop lock of FIG. 2;
 FIG. 7 is a top plan view of the basketball hoop lock of FIG. 2; and,
 FIG. 8 is a bottom plan view of the basketball hoop lock of FIG. 2.
 The broken line environmental showing is for illustrative purposes only and forms no part of the claimed design.

(56) **References Cited**
U.S. PATENT DOCUMENTS

2,710,189 A	6/1955	Carroll	273/1.5
2,918,283 A	12/1959	Marschalk	273/1.5
3,910,574 A	10/1975	Voltz et al.	273/1.5 A
4,029,370 A	6/1977	Ziegel et al.	312/284
4,546,975 A	10/1985	Nims	273/65 R
D336,500 S	6/1993	Driska	D21/201
5,330,361 A *	7/1994	Brend	70/57 X
D354,534 S	1/1995	Michalik	D21/201
5,433,095 A	7/1995	Mitchell et al.	70/209
5,439,210 A	8/1995	Davis	273/1.5 R
5,582,401 A *	12/1996	Malone et al.	70/57 X
5,609,049 A	3/1997	Rundle et al.	70/202
5,628,507 A *	5/1997	Johnson	473/479
D385,482 S	10/1997	Bried et al.	D8/378
5,730,667 A	3/1998	Jones	473/447
5,775,559 A *	7/1998	Mechanic et al.	224/434

1 Claim, 2 Drawing Sheets





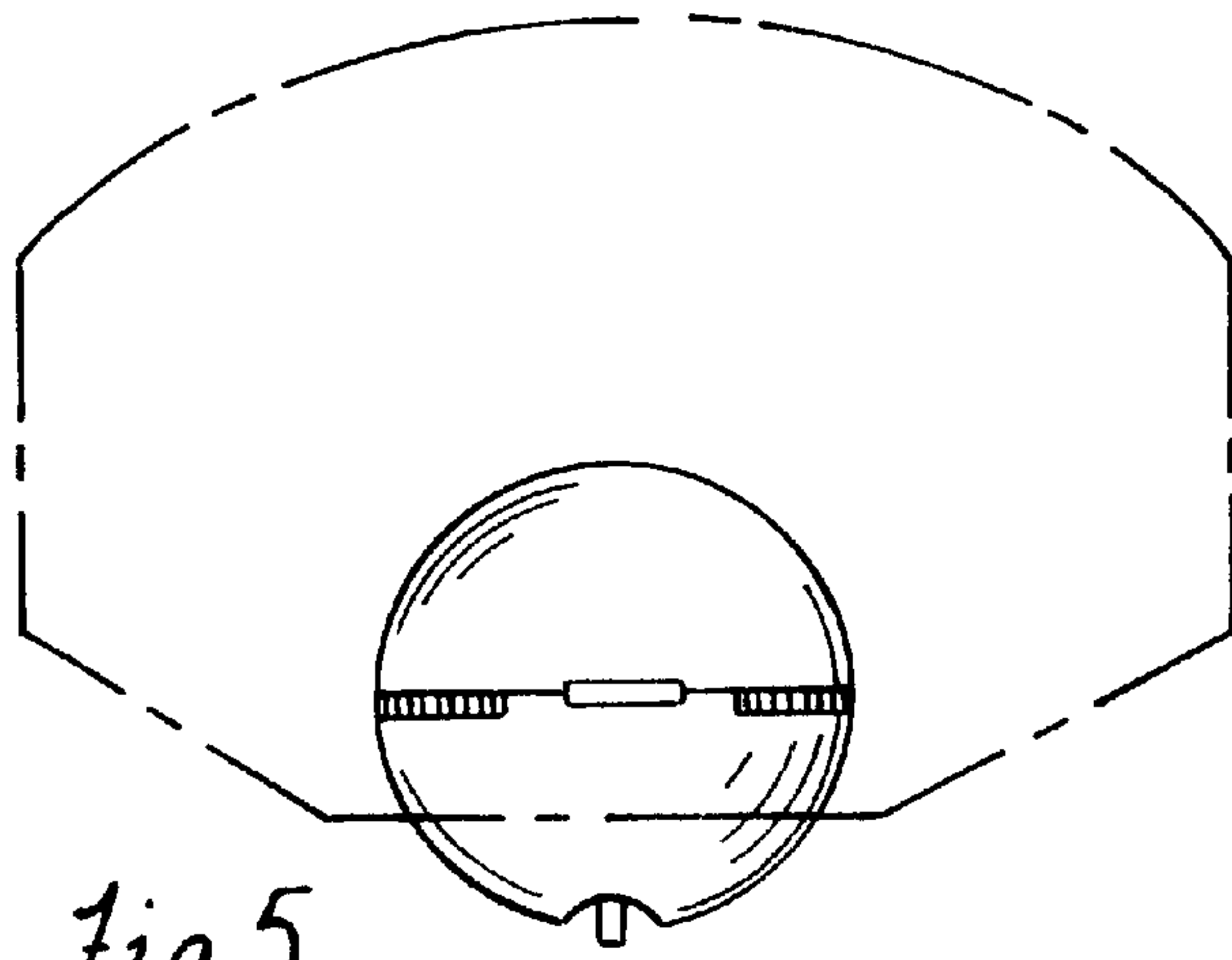


Fig. 5

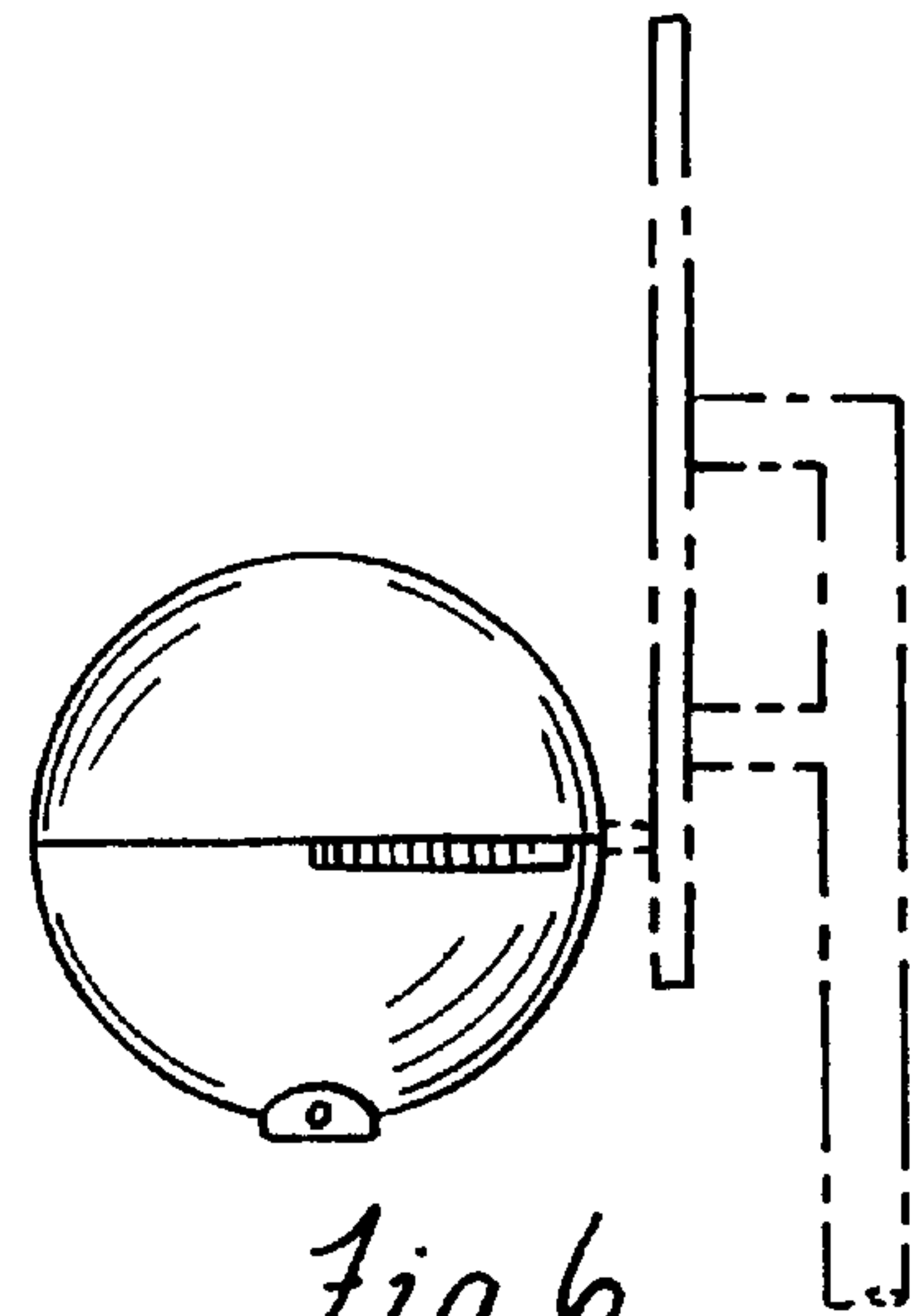


Fig. 6

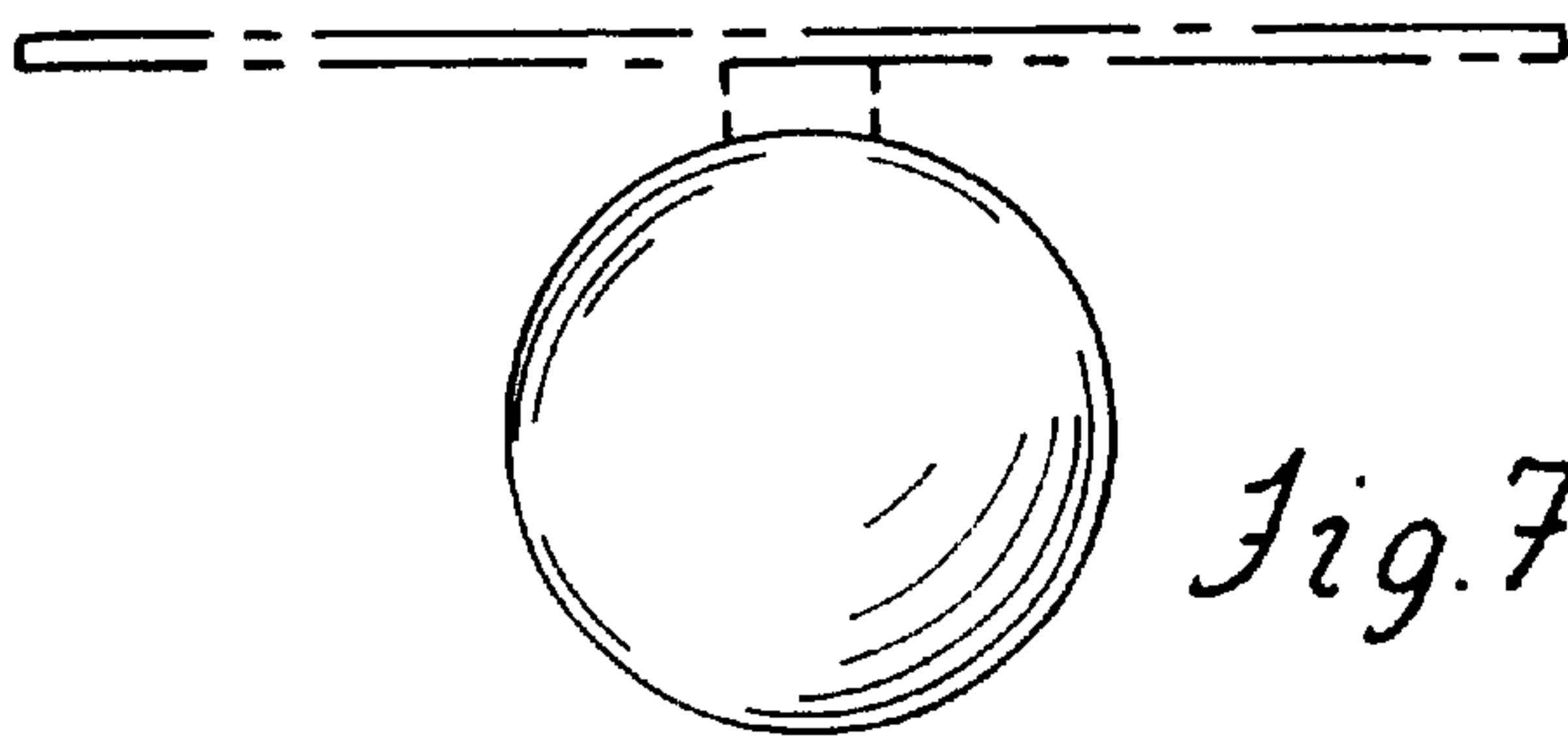


Fig. 7

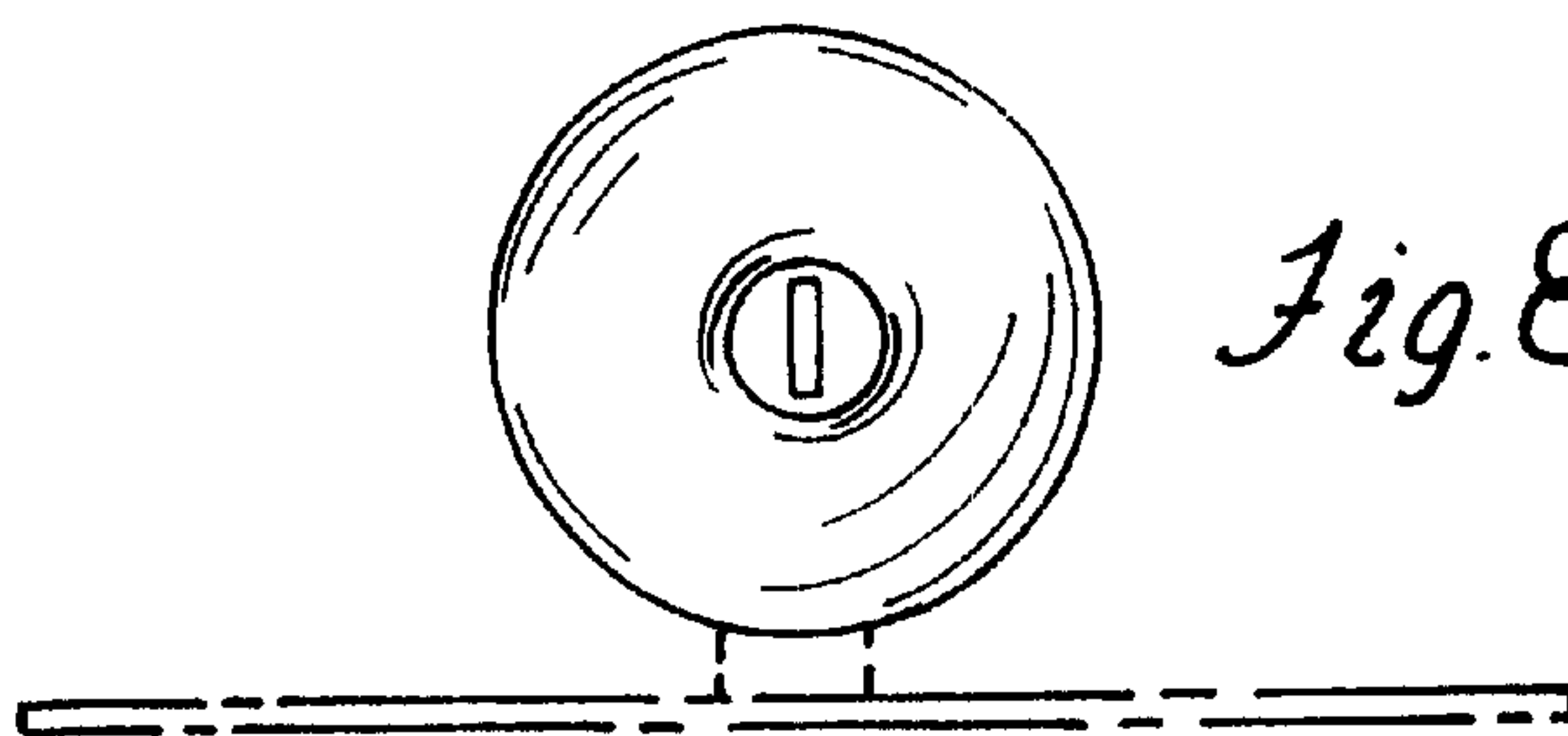


Fig. 8