



US00D456233S

(12) **United States Design Patent**
Main

(10) **Patent No.:** **US D456,233 S**

(45) **Date of Patent:** **** Apr. 30, 2002**

(54) **RECIPROCATING SAW**

DE 49911375 4/2000

(75) Inventor: **Stacey Main**, Baltimore, MD (US)

OTHER PUBLICATIONS

(73) Assignee: **Black & Decker Inc.**, Newark, DE (US)

Rigid Portable Electric Tool Catalog, shows a two speed reciprocating saw.

(**) Term: **14 Years**

Black & Decker Heavy Duty Power Tools for the Professional Catalog, shows a two speed cut-saw kit.

(21) Appl. No.: **29/135,125**

* cited by examiner

(22) Filed: **Jan. 5, 2001**

Primary Examiner—Doris V. Coles

(51) **LOC (7) Cl.** **08-03**

Assistant Examiner—Elizabeth A. Albert

(52) **U.S. Cl.** **D8/64; D8/69**

(74) *Attorney, Agent, or Firm*—Bruce S. Shapiro; Michael P. Leary

(58) **Field of Search** D8/61, 62, 63,
D8/64, 66, 67, 68, 69; 30/370, 374-377,
388, 389, 390, 391, 392, 393

(57) **CLAIM**

What is claimed is the ornamental design for a reciprocating saw, as shown and described.

(56) **References Cited**

DESCRIPTION

U.S. PATENT DOCUMENTS

FIG. 1 is a perspective view of the reciprocating saw taken from one side;

D339,510 S	9/1993	Sakamoto et al.	
5,598,636 A	2/1997	Stolzer	
D401,128 S	* 11/1998	Zurwelle D8/64
D428,786 S	* 8/2000	Hayakawa et al. D8/64
D434,627 S	* 12/2000	Buck D8/64
D440,849 S	* 4/2001	Sakai et al. D8/64

FIG. 2 is a front elevational view thereof;

FIG. 3 is a rear elevational view thereof;

FIG. 4 is a top plan view thereof;

FIG. 5 is a bottom plan view thereof;

FIG. 6 is a side view thereof, taken from the side opposite that shown in FIG. 1; and,

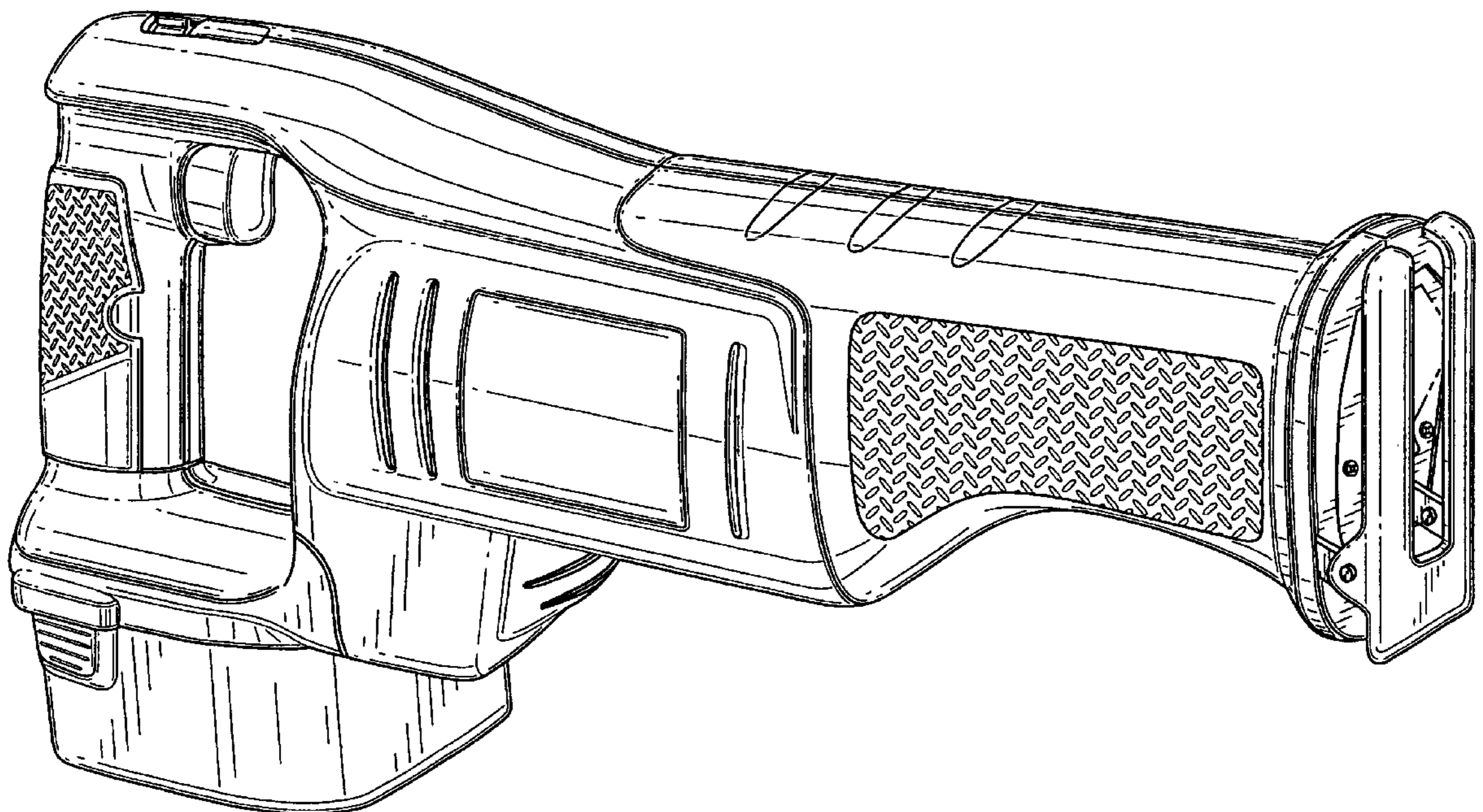
FIG. 7 is a side view thereof taken from the side shown in FIG. 1.

The broken line showing of a feature on the front elevational view of the drawing in FIGS. 1 and 2 is for illustrative purposes only and forms no part of the claimed design.

FOREIGN PATENT DOCUMENTS

DE	M9601062	10/1996
DE	M9707837	1/1998
DE	M9800647	7/1998
DE	M9800680	8/1998
DE	49809814	7/1999
DE	49900927	8/1999
DE	49904804	9/1999

1 Claim, 7 Drawing Sheets



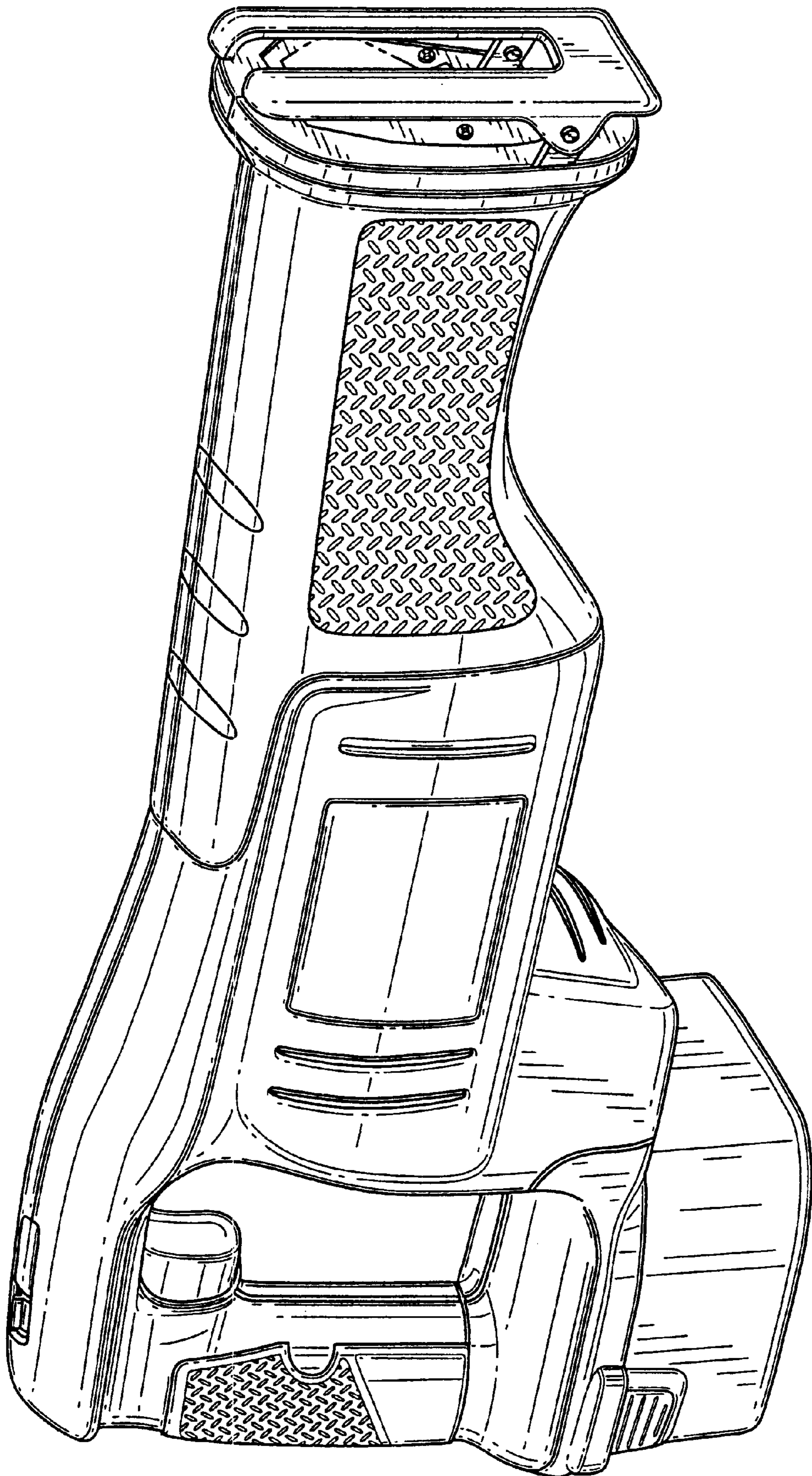


FIG. 1

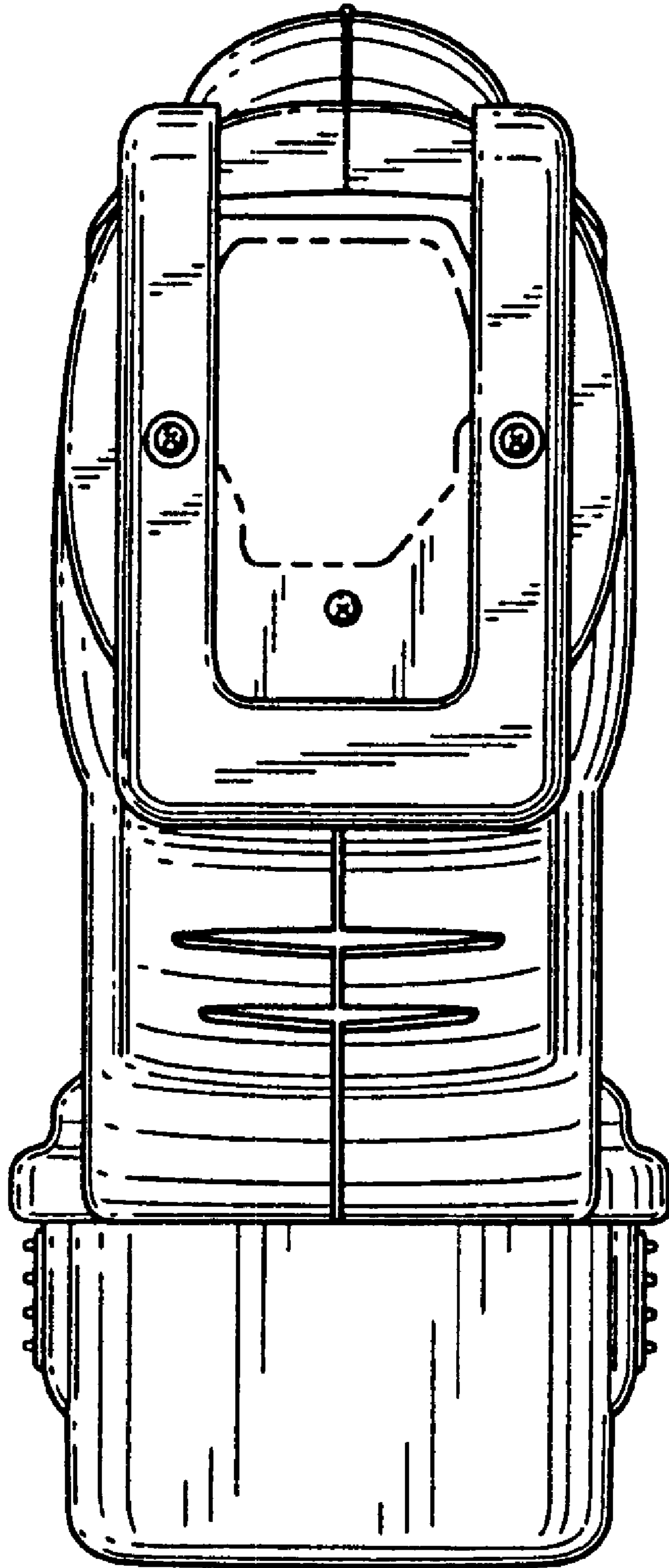


FIG. 2

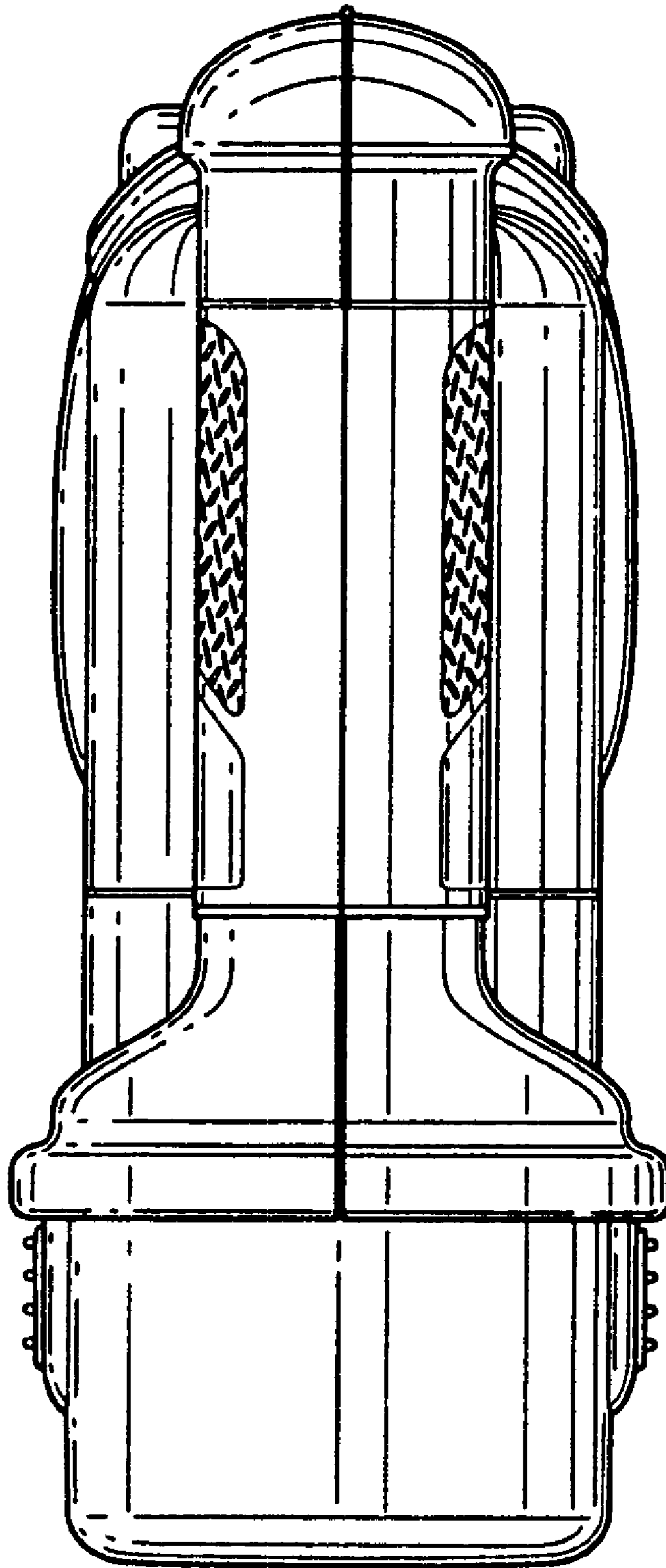


FIG. 3

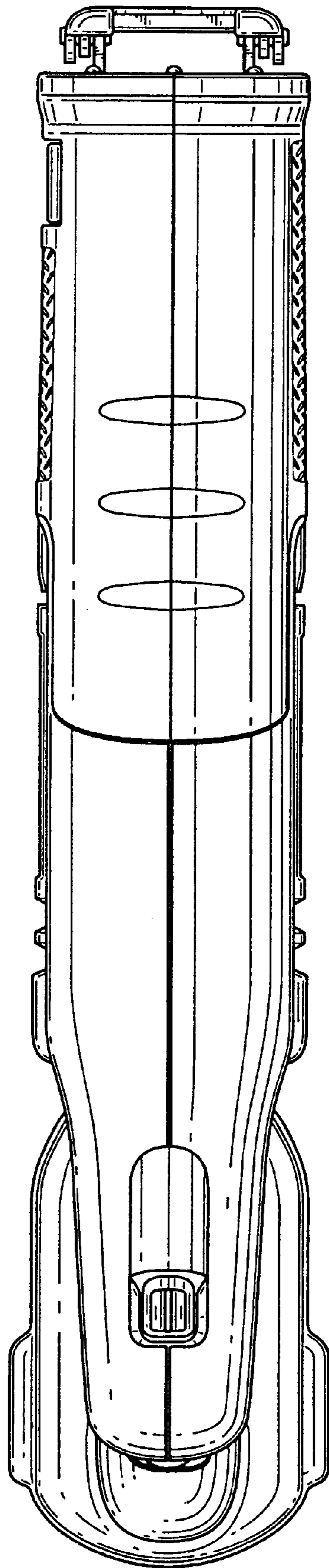


FIG. 4

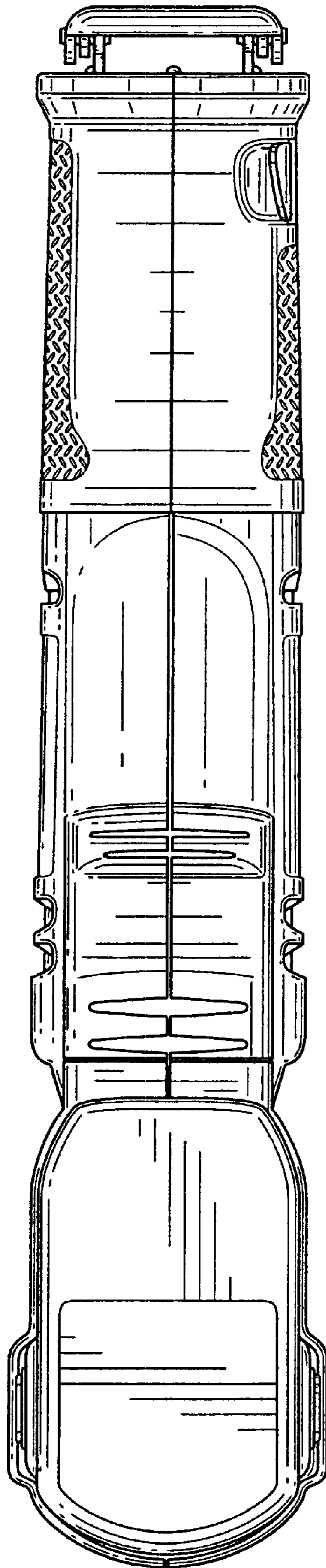


FIG. 5

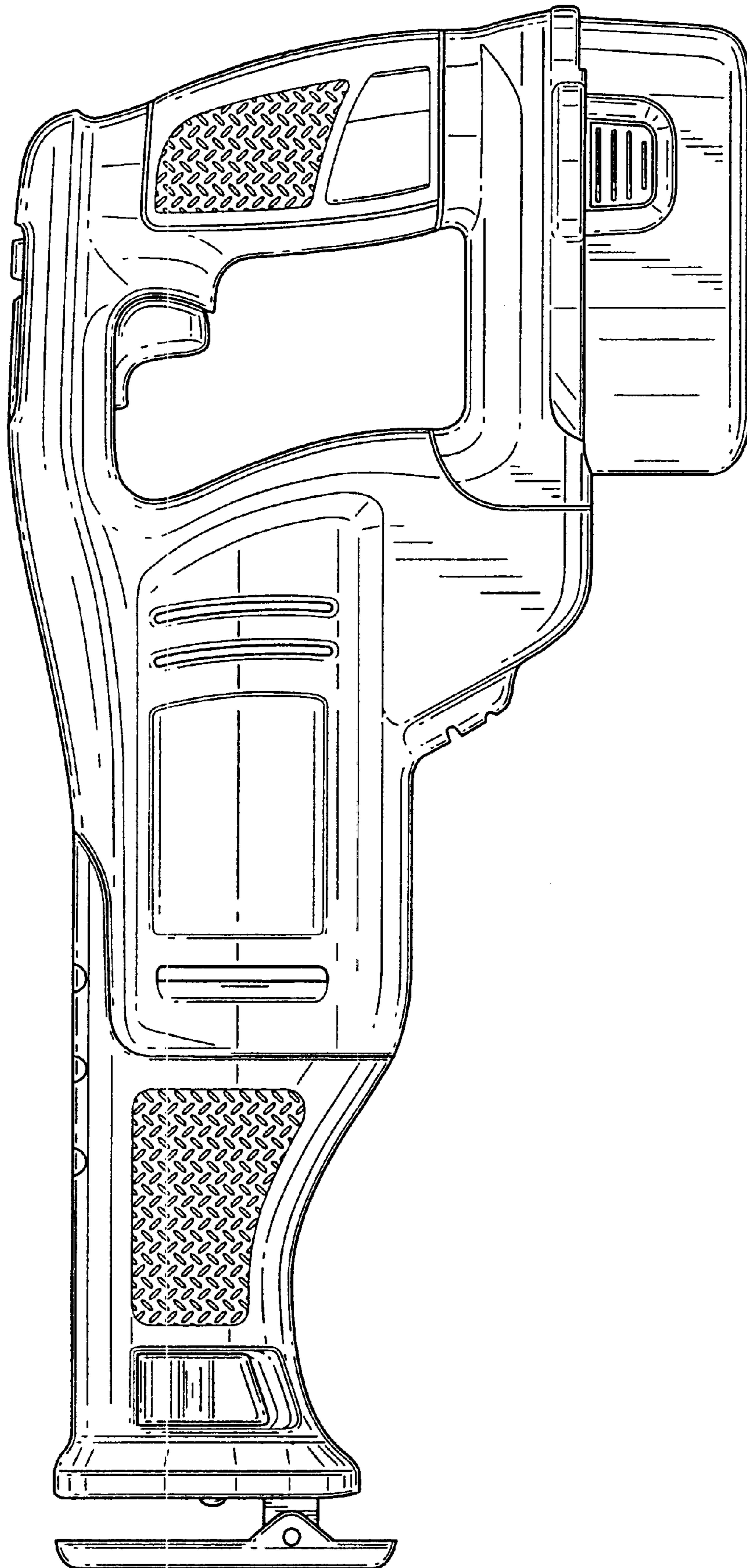


FIG. 6

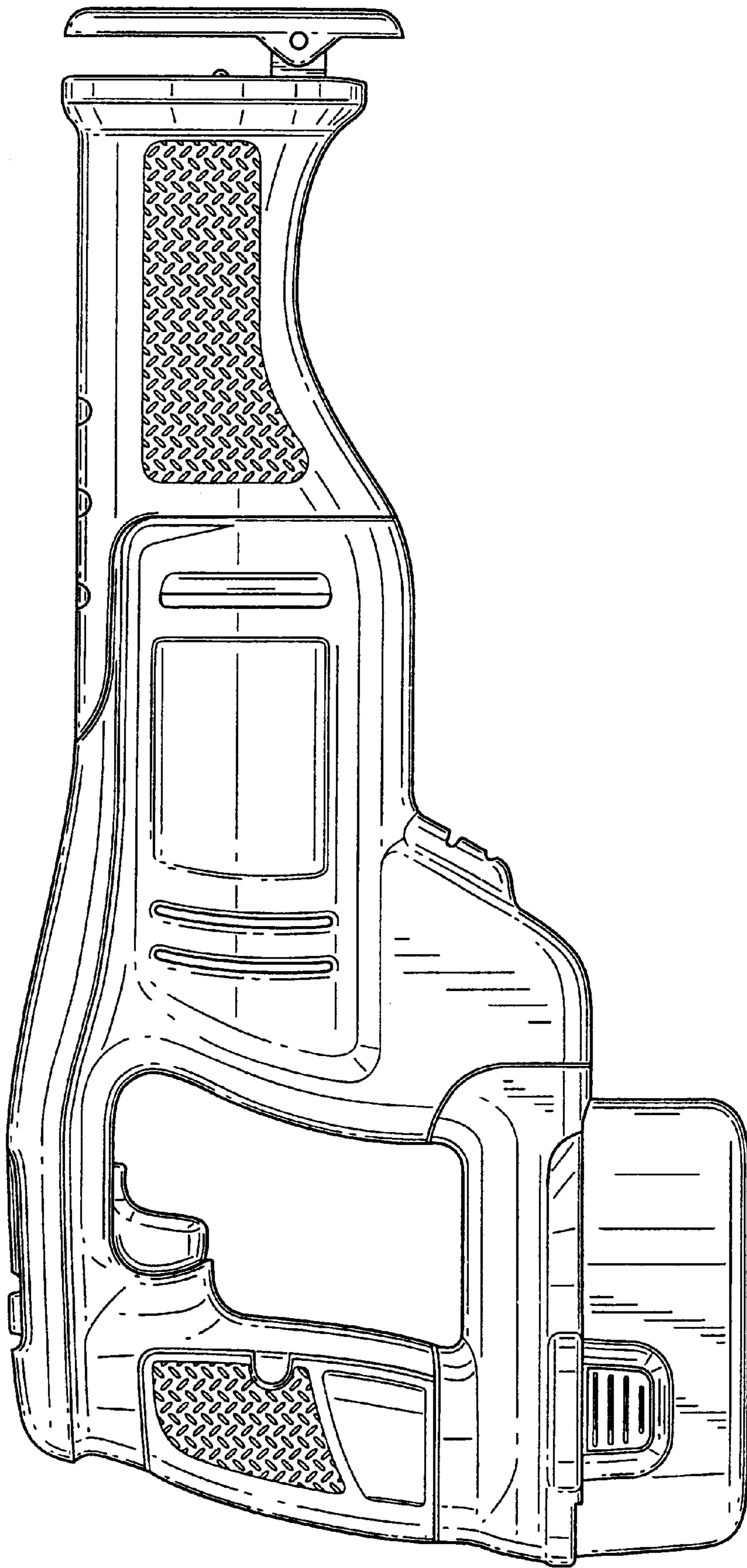


FIG. 7