



US00D456232S

(12) **United States Design Patent**  
**Chen**

(10) **Patent No.:** **US D456,232 S**

(45) **Date of Patent:** **\*\* Apr. 30, 2002**

(54) **PNEUMATIC TOOL**

(76) **Inventor:** **Ting-Yuan Chen**, No. 9, Lane 276,  
Alley 37, Sec. 1, Ya Huan Rd., Ta Ya  
Hsiang, Taichung Hsien (TW)

(\*\*) **Term:** **14 Years**

(21) **Appl. No.:** **29/144,111**

(22) **Filed:** **Jun. 27, 2001**

(51) **LOC (7) Cl.** ..... **08-04**

(52) **U.S. Cl.** ..... **D8/61; D8/25**

(58) **Field of Search** ..... D8/25, 59, 60,  
D8/61, 62, 64, 67, 68, 82, DIG. 7; 81/54,  
57, 57.11, 57.13, 57.14, 57.42, 57.29, 57.39,  
58, 60, 61, 62, 63, 63.1, 63.2, 177.1, 177.4,  
177.6, 177.8, 177.85, 177.9, 469, 474;  
173/169, 170, 182, 217

(56) **References Cited**

**U.S. PATENT DOCUMENTS**

- D265,962 S \* 8/1982 Izumisawa ..... D8/25
- D269,938 S \* 8/1983 Izumisawa ..... D8/61
- D278,407 S \* 4/1985 Fleischer, Jr. .... D8/61

- D289,135 S \* 4/1987 Doman ..... D8/61
- 4,791,836 A \* 12/1988 D'Haem et al. .... 81/57.39
- 5,450,773 A \* 9/1995 Darrah et al. .... 81/57.39
- 5,500,494 A \* 3/1996 Ligman ..... 181/230

\* cited by examiner

*Primary Examiner*—Doris V. Coles

*Assistant Examiner*—Elizabeth A. Albert

(74) *Attorney, Agent, or Firm*—Rosenberg, Klein & Lee

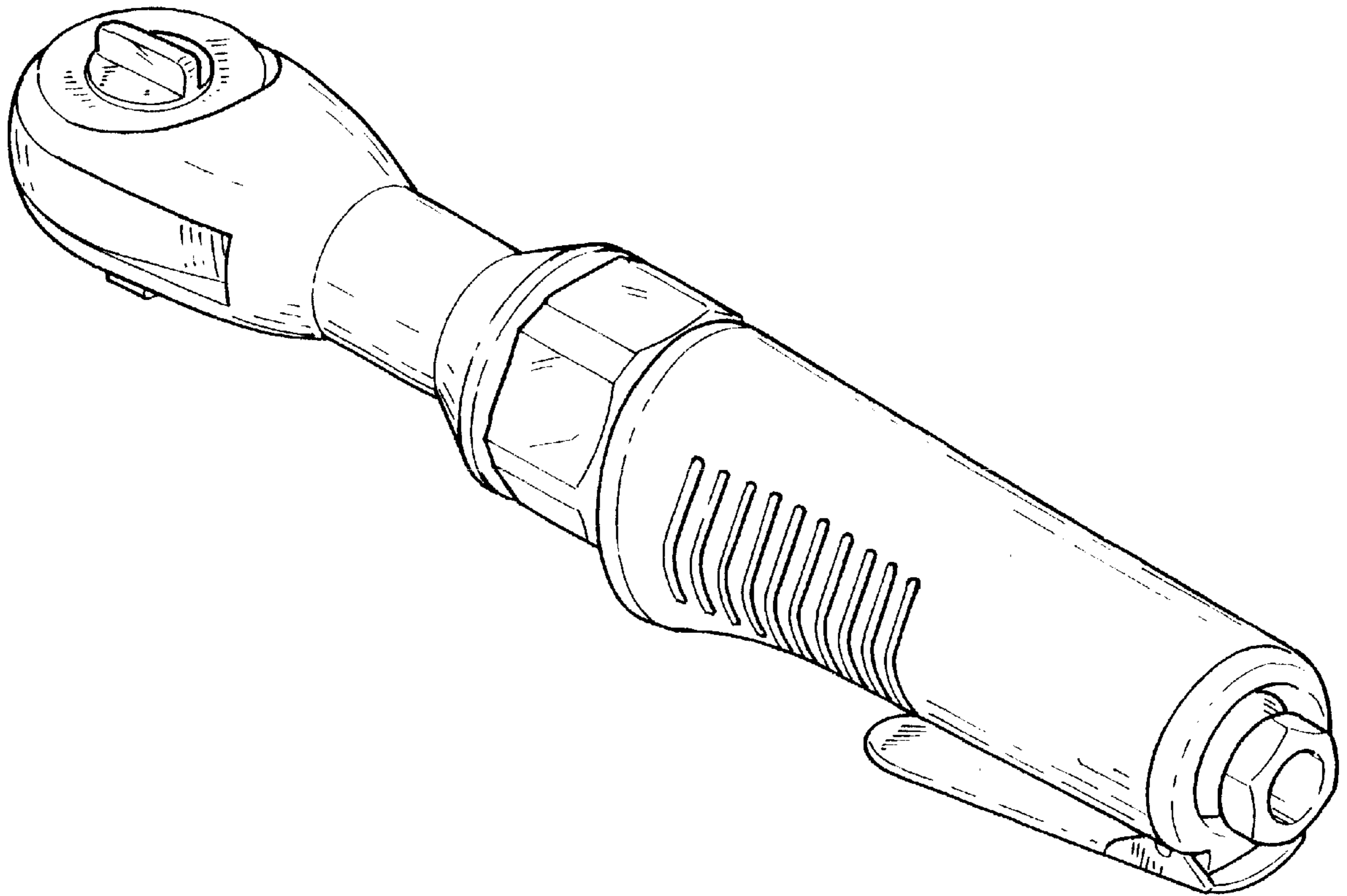
(57) **CLAIM**

The ornamental design for a pneumatic tool, as shown and described.

**DESCRIPTION**

FIG. 1 is a perspective view of a pneumatic tool, showing my new design;  
 FIG. 2 is a front elevational view thereof;  
 FIG. 3 is a rear elevational view thereof;  
 FIG. 4 is a right side view thereof;  
 FIG. 5 is a left side view thereof;  
 FIG. 6 is a top view thereof; and,  
 FIG. 7 is a bottom view thereof.

**1 Claim, 6 Drawing Sheets**



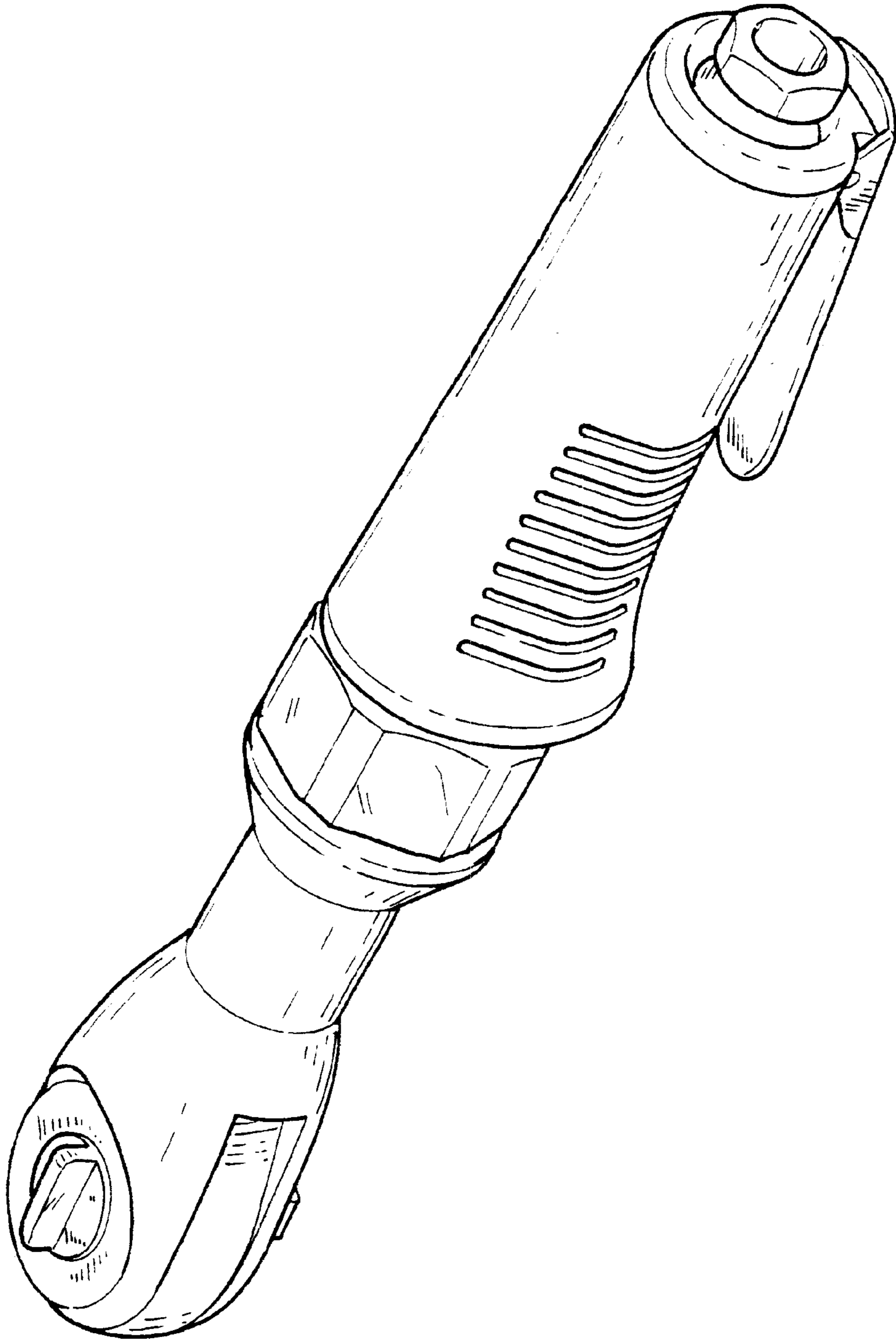


FIG. 1

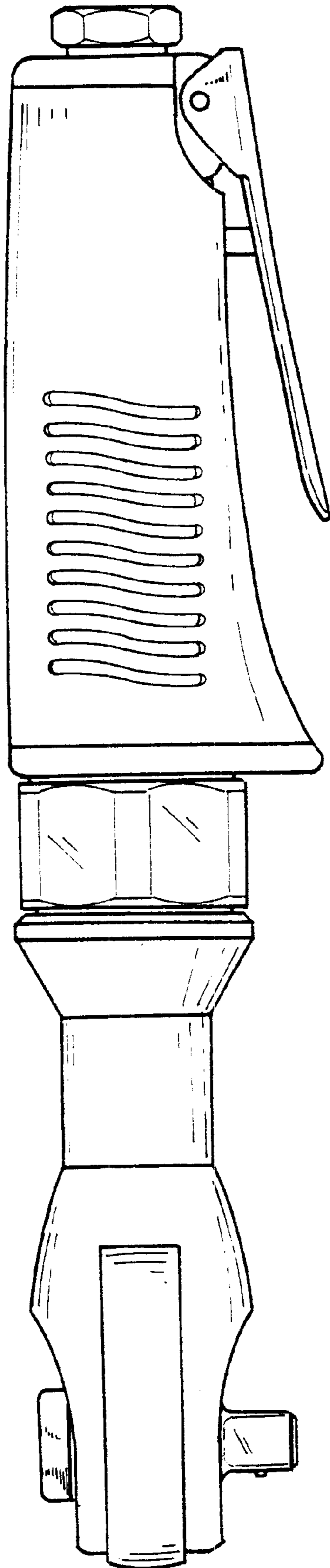


FIG.2

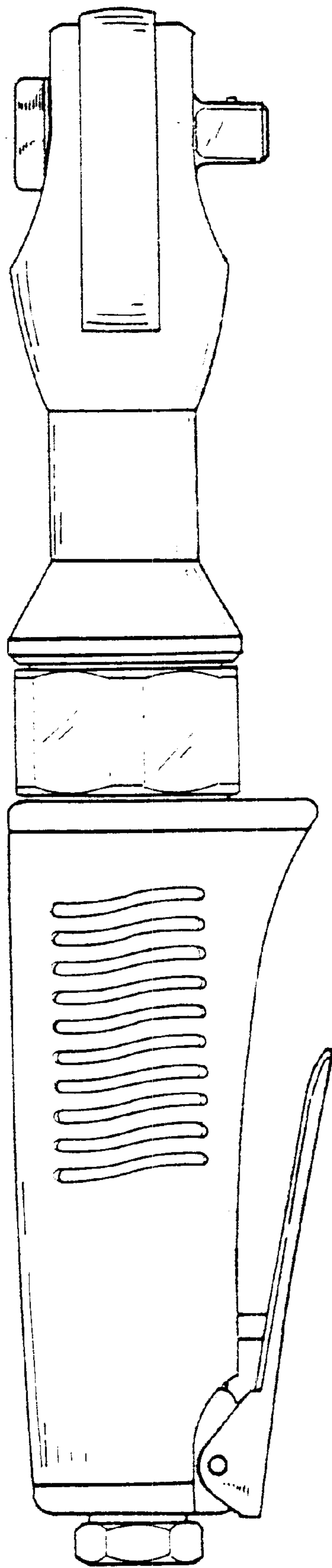


FIG.3

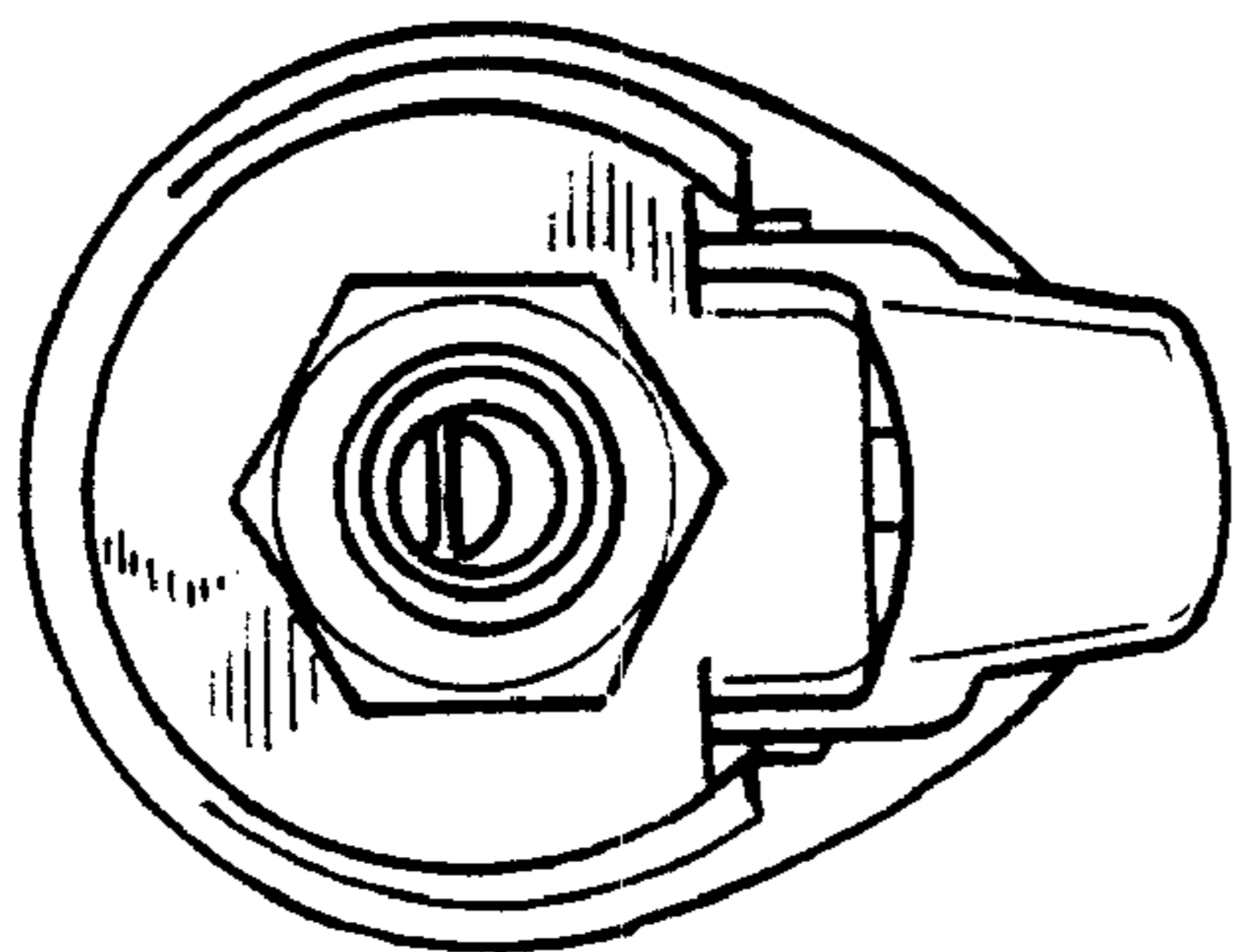


FIG. 5

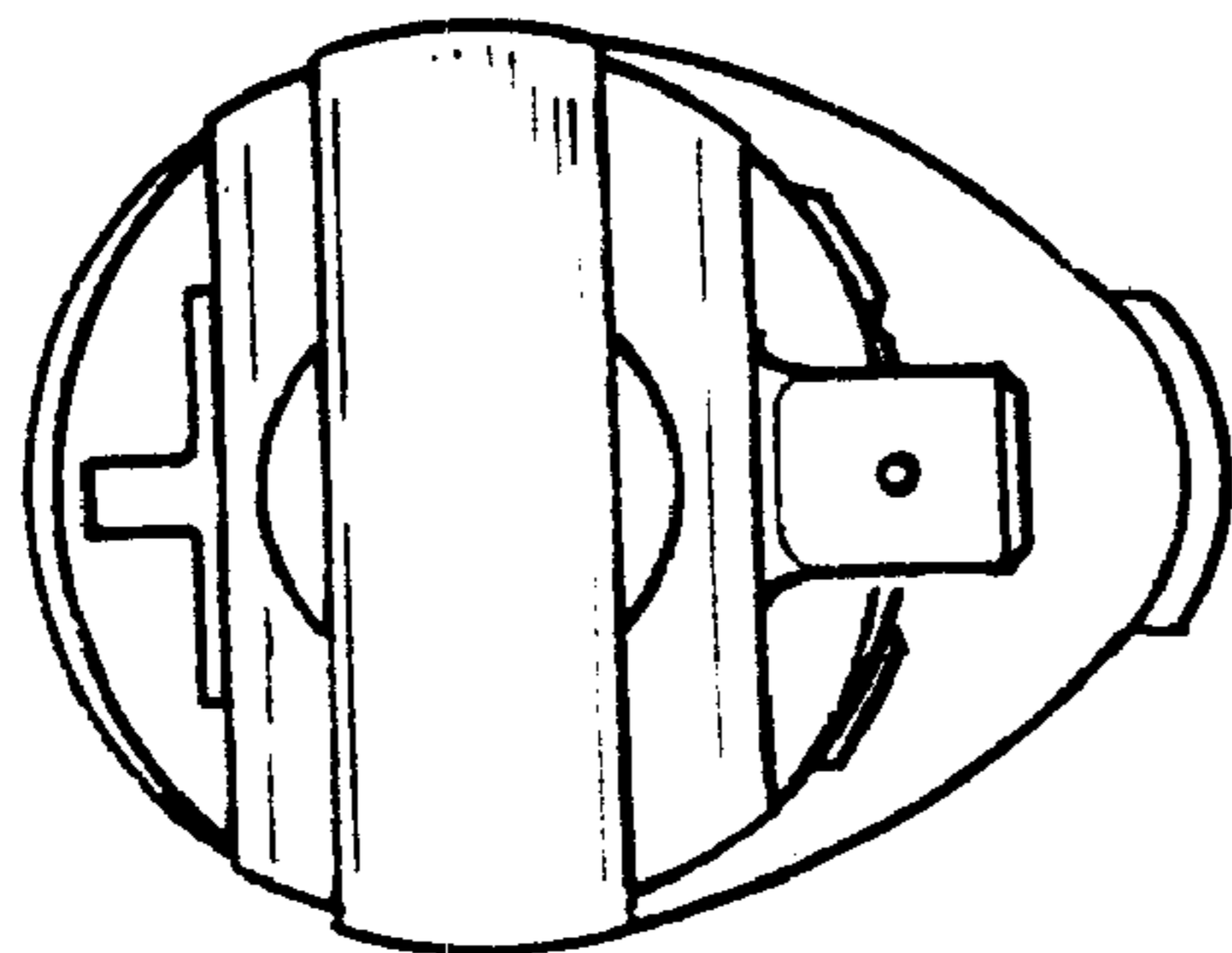


FIG. 4

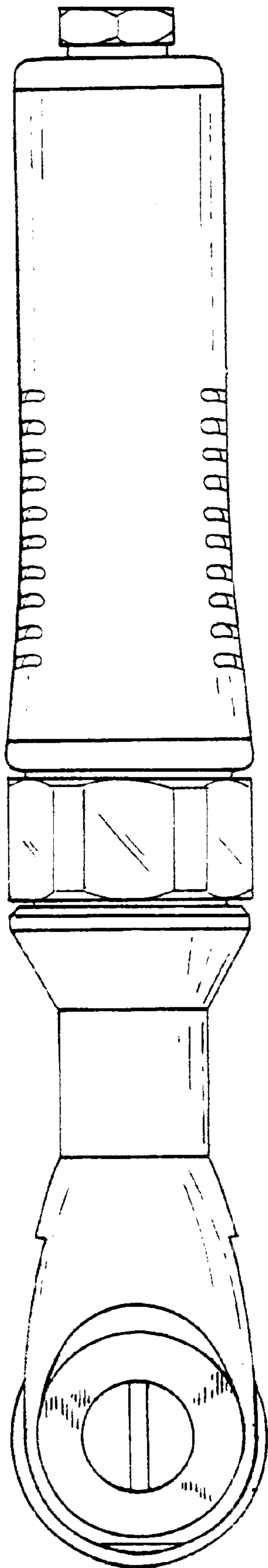


FIG. 6

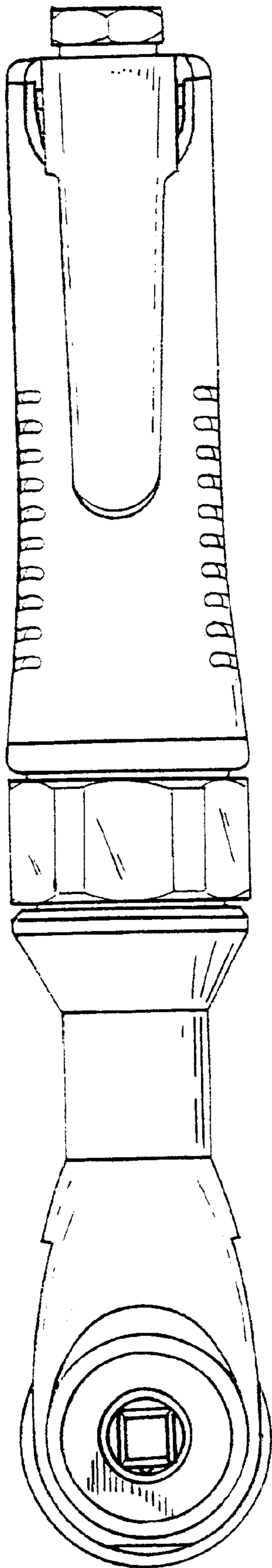


FIG. 7