



US00D456226S

(12) **United States Design Patent**
Doshay

(10) **Patent No.:** **US D456,226 S**

(45) **Date of Patent:** **** Apr. 30, 2002**

(54) **REPLACEMENT SPRINKLER HEAD
INSTALLATION TOOL**

6,195,823 B1 * 3/2001 Enriquez 7/138
D445,655 S * 7/2001 Maddox D8/19

(76) Inventor: **Irving Doshay**, 380 Surfview Dr.,
Pacific Palisades, CA (US) 90272

* cited by examiner

Primary Examiner—Raphael Barkai

(**) Term: **14 Years**

(74) *Attorney, Agent, or Firm*—Norton R. Townsley

(21) Appl. No.: **29/133,880**

(57) **CLAIM**

(22) Filed: **Dec. 7, 2000**

I claim the ornamental design for the improved replacement
sprinkler head installation tool, as shown and described.

(51) **LOC (7) Cl.** **08-05**

DESCRIPTION

(52) **U.S. Cl.** **D8/26; D8/21; D8/17;**
D8/19

FIG. 1 is a three dimensional view of an improved replace-
ment sprinkler head installation tool showing my new
design;

(58) **Field of Search** D8/17-29; 81/124.4,
81/124.3, 125.1; 7/138, 166

FIG. 2 is a top view thereof;

FIG. 3 is a bottom view thereof;

(56) **References Cited**

U.S. PATENT DOCUMENTS

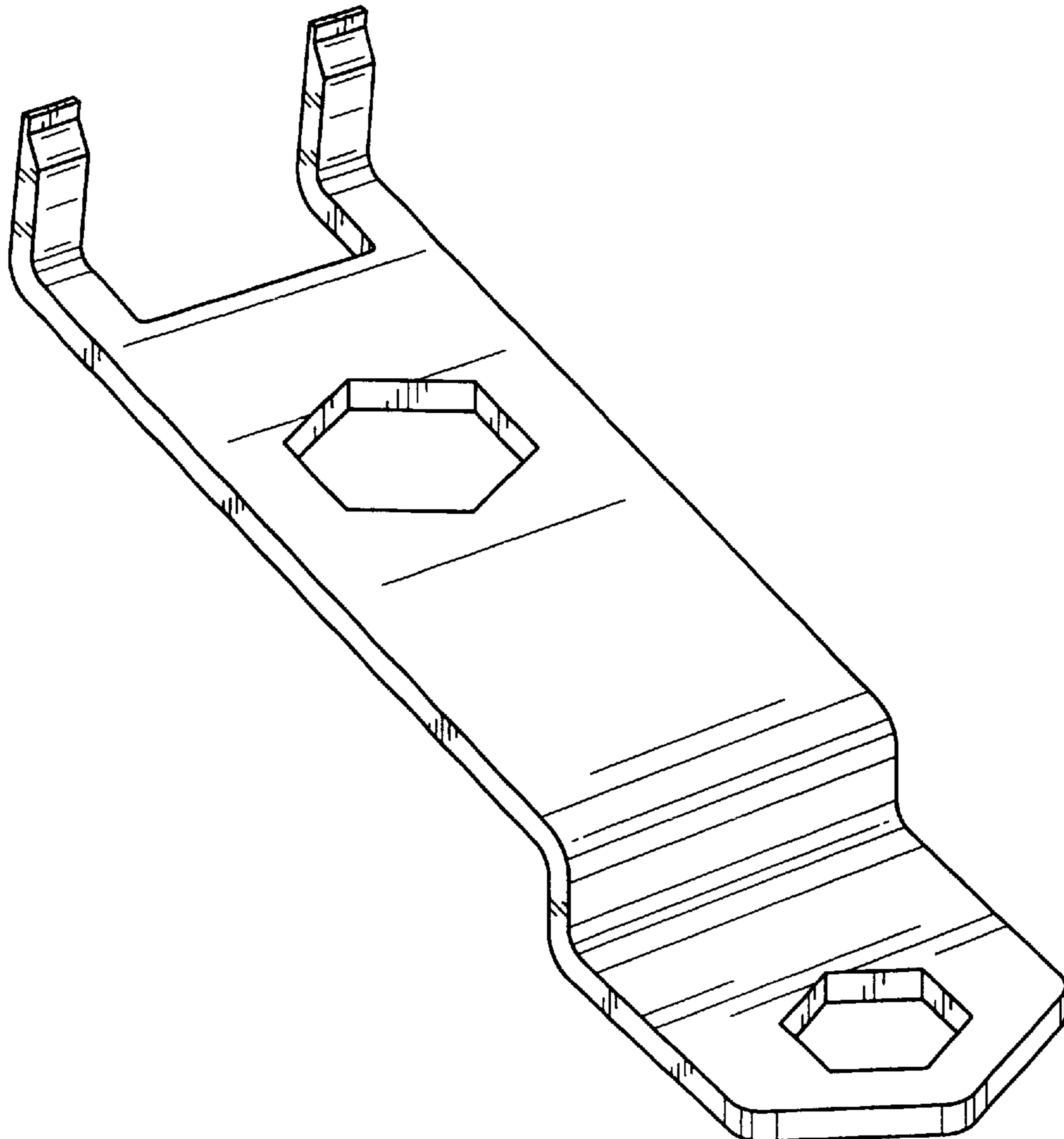
1,454,320 A * 5/1923 Jenkins 81/124.3
D268,473 S * 4/1983 Rust D8/17
5,088,361 A * 2/1992 Lish 81/124.4
D434,622 S * 12/2000 Jaynes D8/17

FIG. 4 is a side elevational view from one side thereof, the
other side elevational view being a mirror image of this
Figure;

FIG. 5 is an end elevational view from one end thereof; and,

FIG. 6 is an end elevational view from the other end thereof.

1 Claim, 5 Drawing Sheets



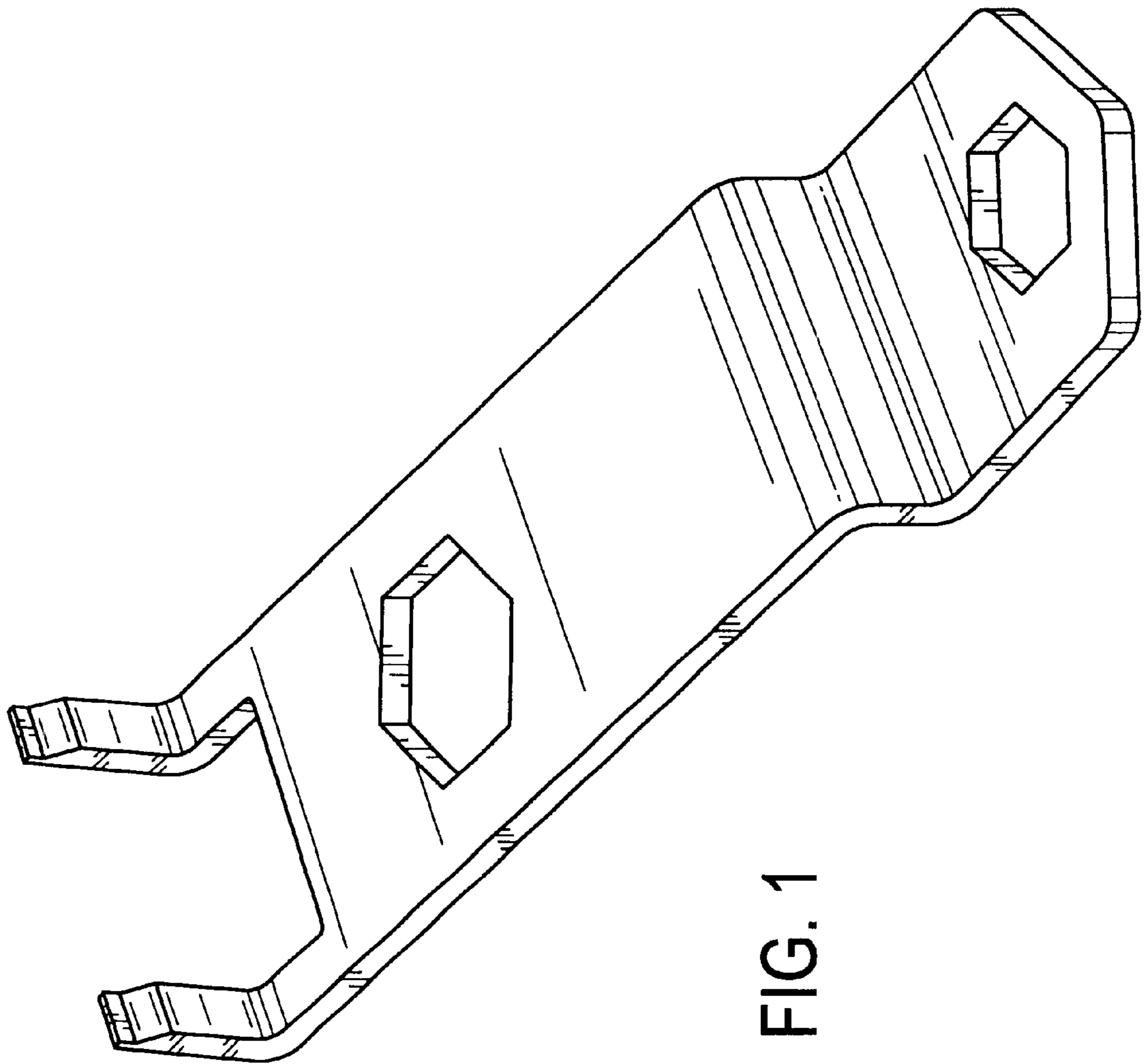


FIG. 1

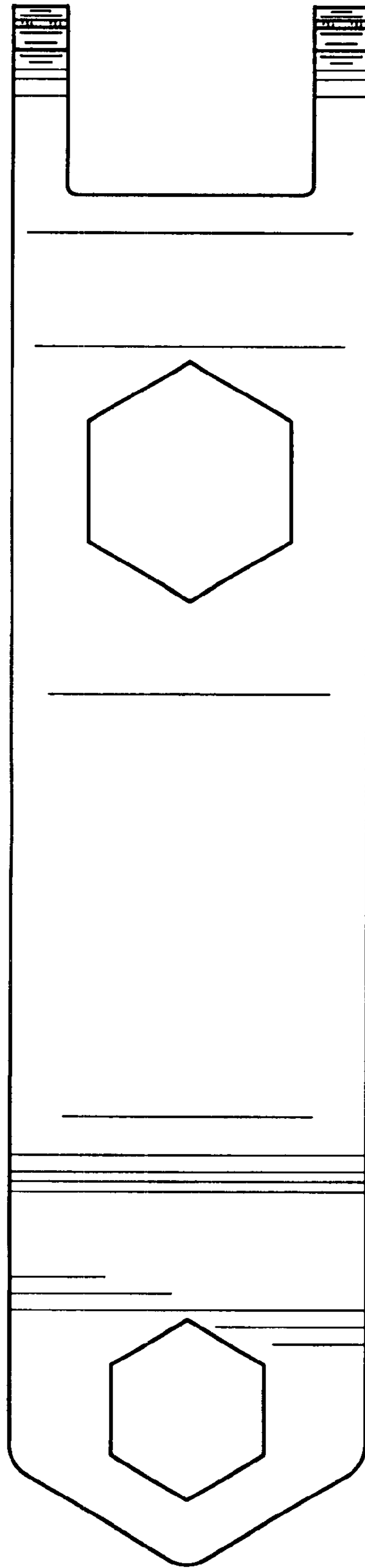


FIG. 2

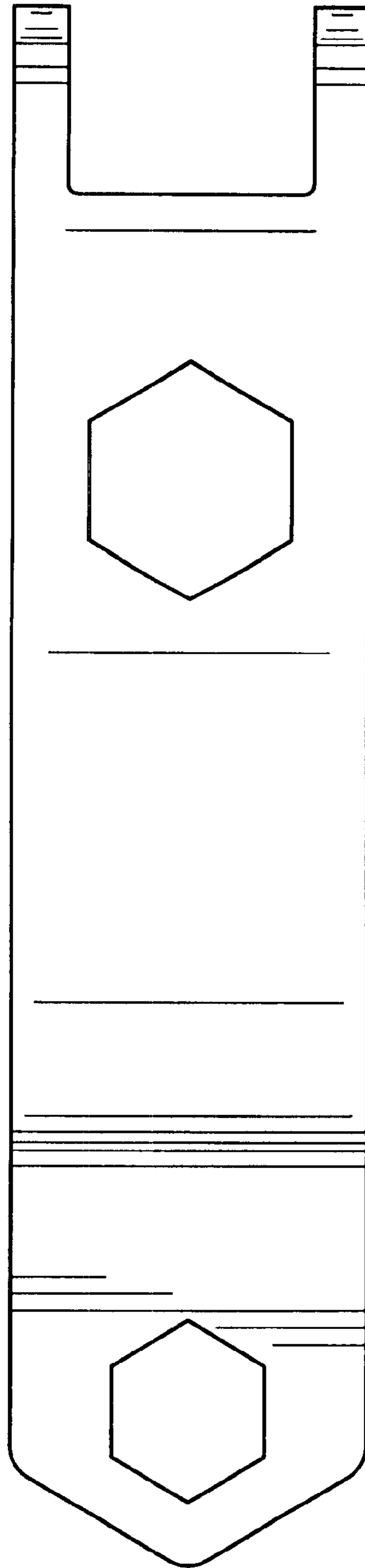


FIG. 3

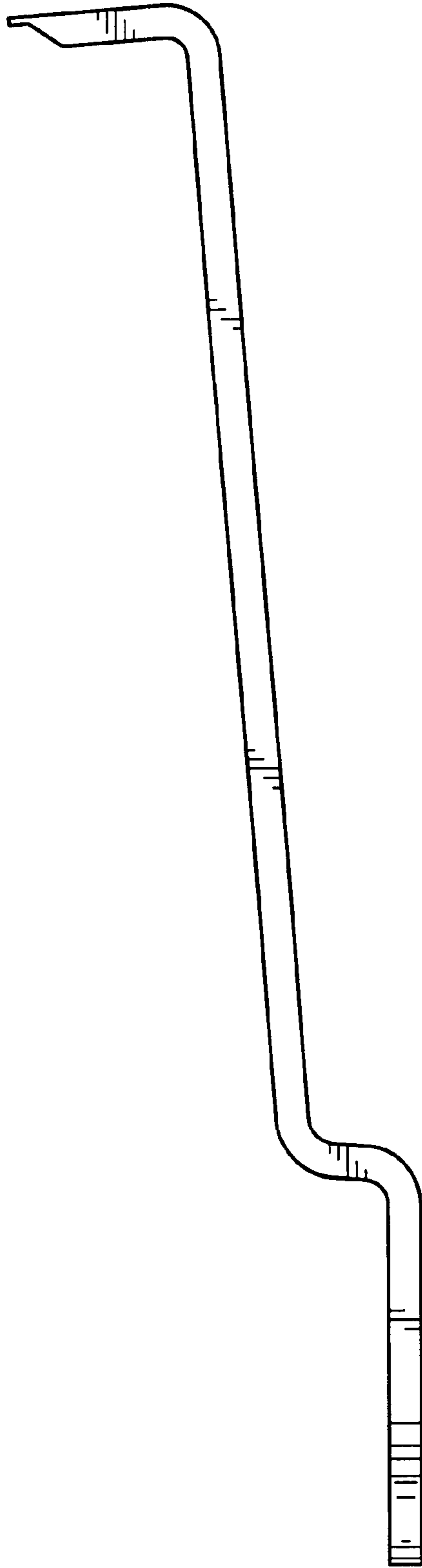


FIG. 4

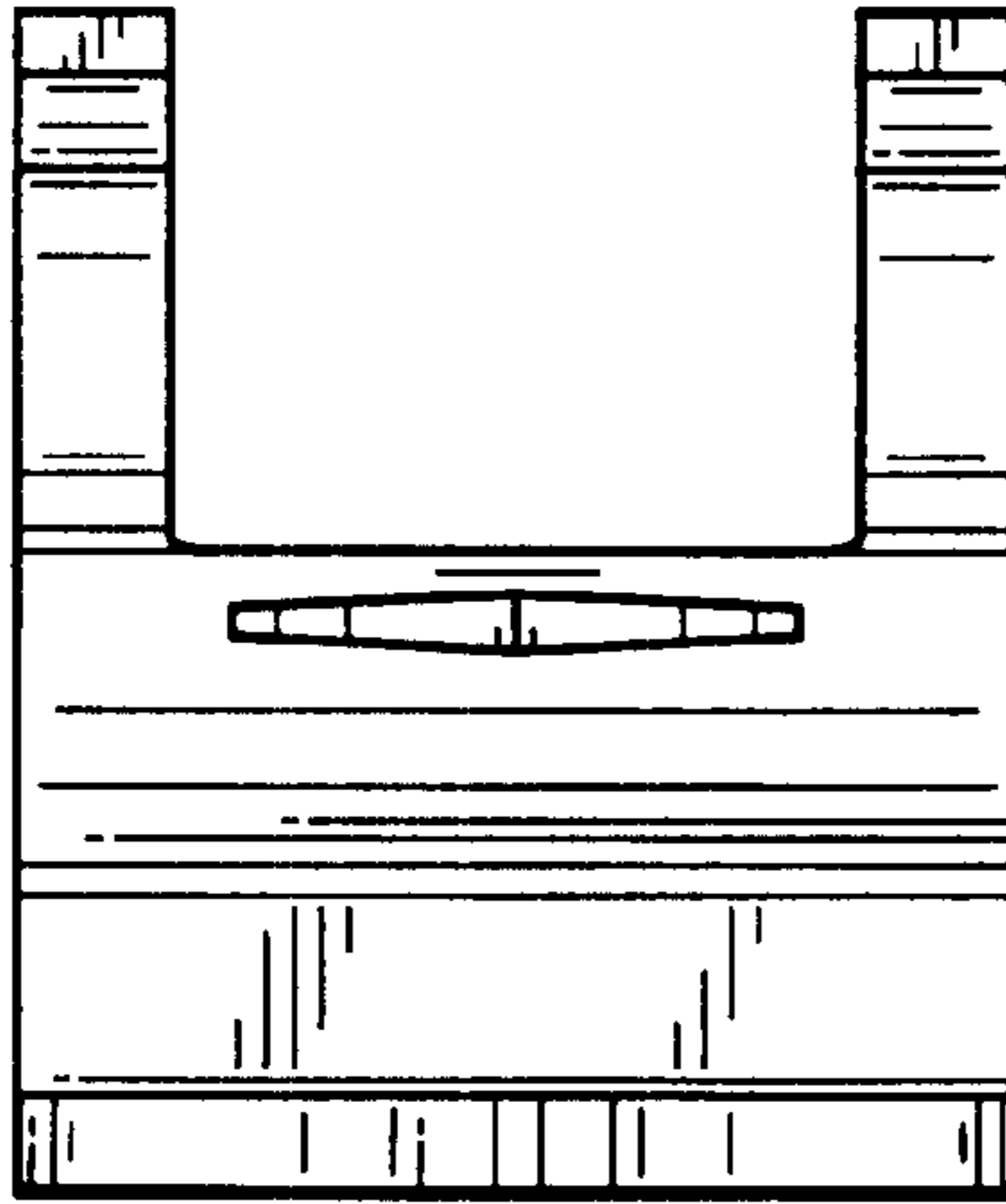


FIG. 5

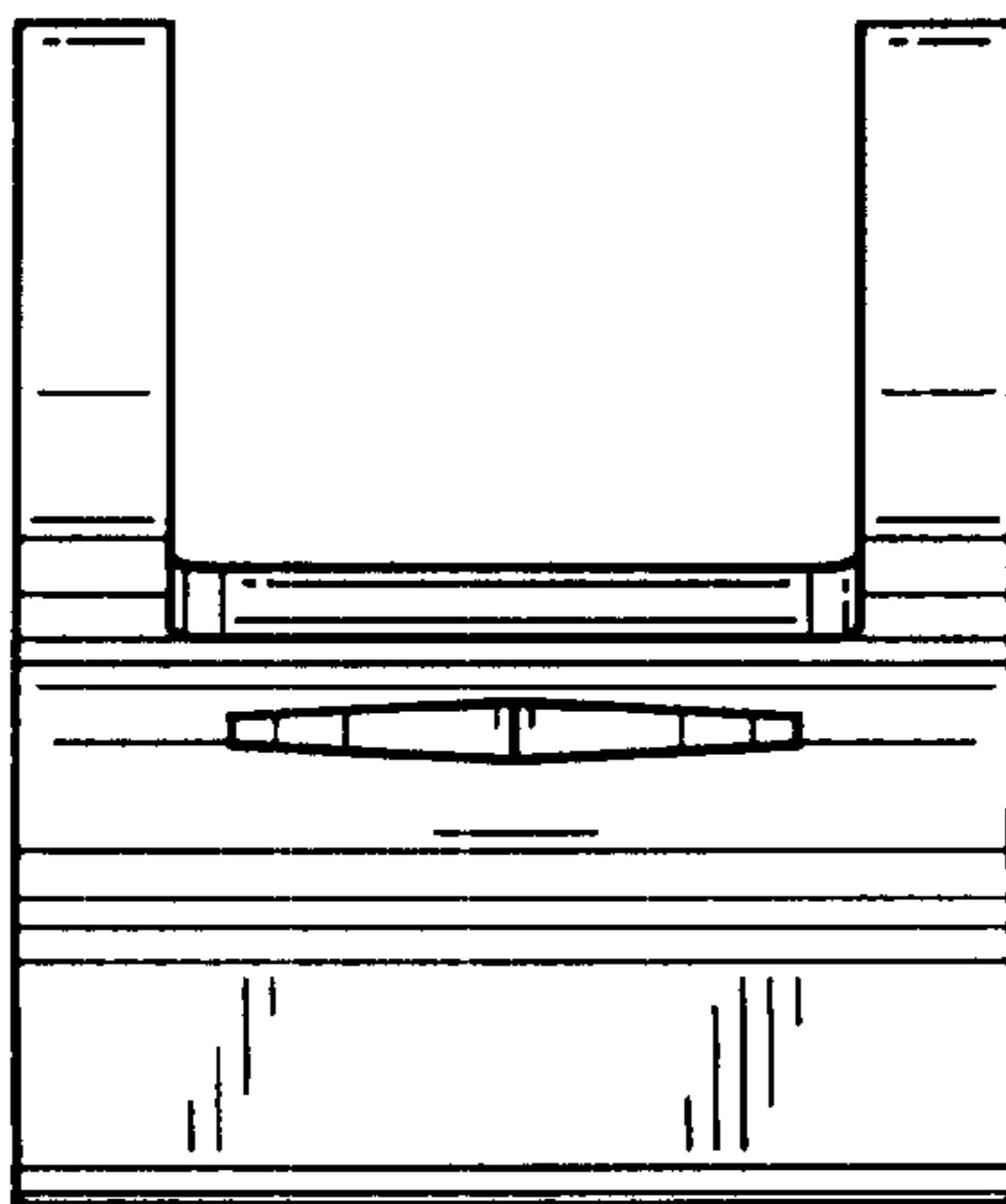


FIG. 6