



US00D456225S

(12) **United States Design Patent**
Kohn et al.

(10) **Patent No.:** **US D456,225 S**

(45) **Date of Patent:** **** Apr. 30, 2002**

(54) **PLANT ROOT WATERING DEVICE**

(76) Inventors: **Peter Kohn**, 162-21 Powell Cove Blvd., New York; **Amy Roth**, 10-24 166th St., #3B, Whitestone, both of NY (US) 11357

(**) Term: **14 Years**

(21) Appl. No.: **29/148,629**

(22) Filed: **Sep. 24, 2001**

(51) **LOC (7) Cl.** **08-01**

(52) **U.S. Cl.** **D8/2**

(58) **Field of Search** D8/1, 2; D23/213, D23/200, 214, 215, 217; 239/38, 371, 562, 571, 572; 47/48.5; 111/7.1; D11/117, 157-163; D1/118, 116; 428/17-26; D7/620, 628

(56) **References Cited**

U.S. PATENT DOCUMENTS

73,442 A	1/1868	Fish	
1,424,157 A	8/1922	Cook	
D158,596 S	5/1950	Lack	
2,685,761 A	8/1954	Schlesser	47/48.5
3,151,415 A	10/1964	James	47/48.5
D231,116 S	4/1974	Anderson	D35/3
3,856,205 A	12/1974	Rohling	239/63
3,944,138 A	* 3/1976	Easton	428/26
4,499,686 A	2/1985	Scragg	47/48.5
4,776,130 A	10/1988	West et al.	47/48.5

5,756,166 A	*	5/1998	Shinohara	428/26
D404,981 S	*	2/1999	Wu	D8/1
5,896,700 A		4/1999	McGough	47/48.5
D431,978 S		10/2000	Mayhill	D8/1
6,128,856 A		10/2000	Doan	47/48.5
6,219,963 B1		4/2001	Wang	47/48.5

* cited by examiner

Primary Examiner—Pamela Burgess

(74) *Attorney, Agent, or Firm*—Goldstein Law Offices, P.C.

(57) **CLAIM**

The ornamental design for a plant root watering device, as shown and described.

DESCRIPTION

FIG. 1 is a perspective view of a plant watering device showing our new design, the broken lines representing environmental structure are for illustrating purposes only, forming no part of the claimed design. It is understood that the in-ground portion of the claimed design is fully disclosed in FIGS. 2-6;

FIG. 2 is a perspective view thereof.

FIG. 3 is a front elevational view thereof.

FIG. 4 is a rear elevational view thereof.

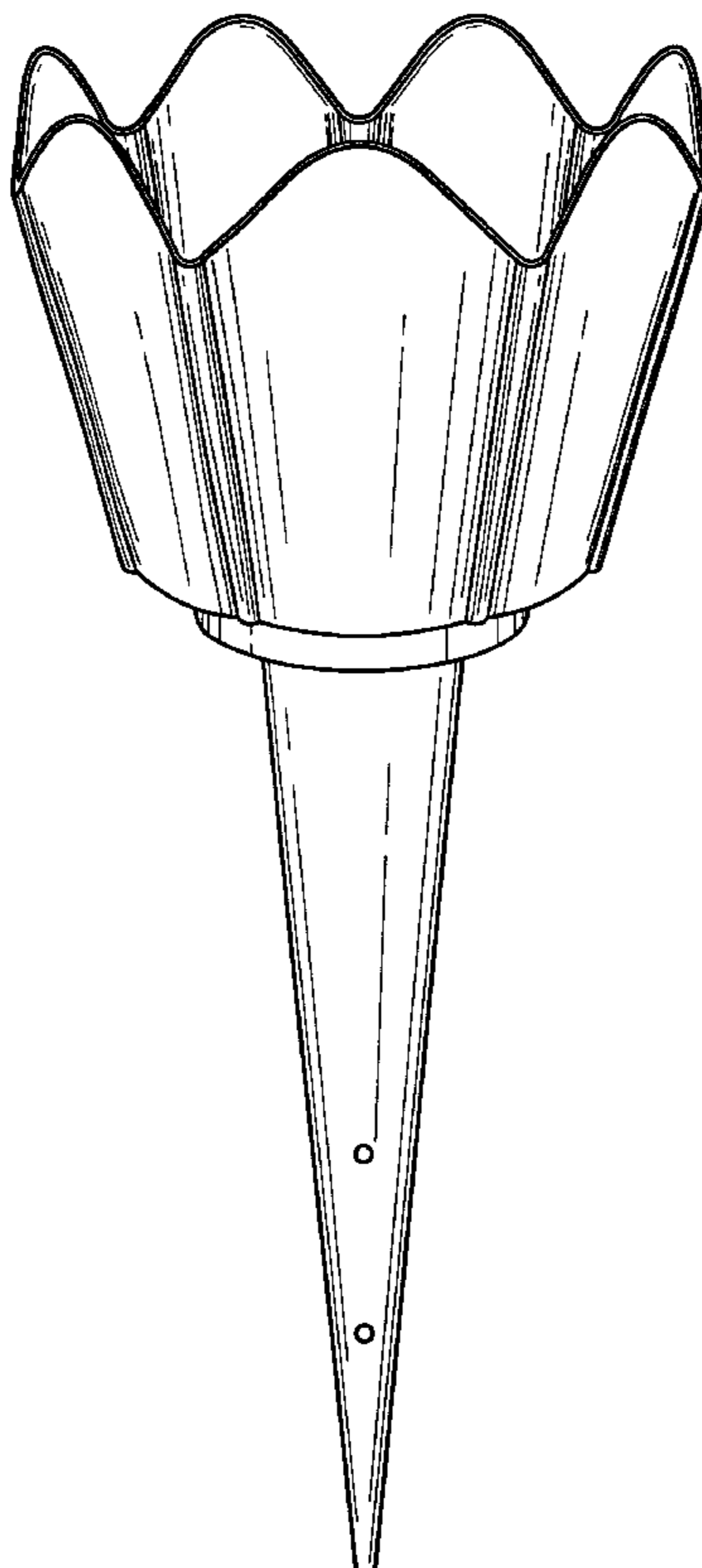
FIG. 5 is a left side elevational view thereof.

FIG. 6 is a right side elevational view thereof.

FIG. 7 is a bottom plan view thereof; and,

FIG. 8 is a top plan view thereof.

1 Claim, 3 Drawing Sheets



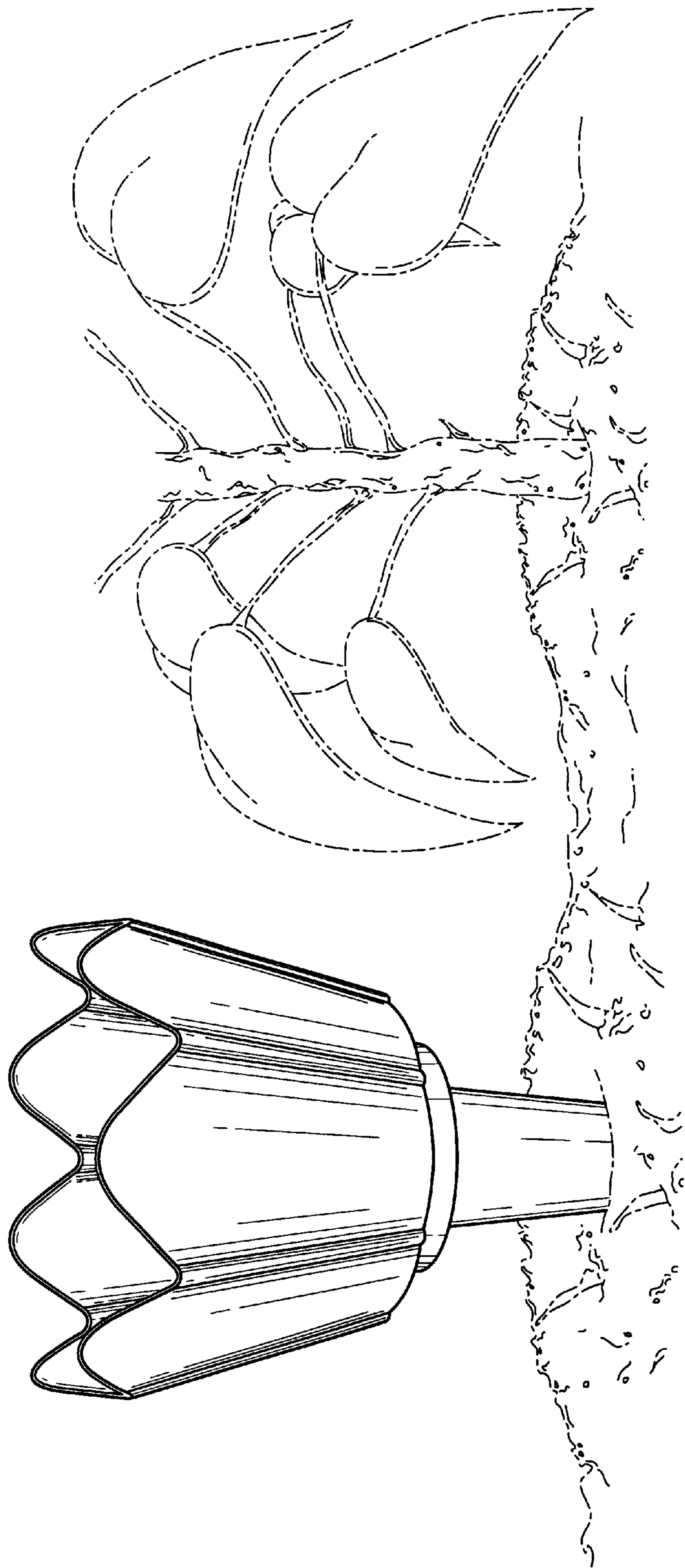


Fig. 1

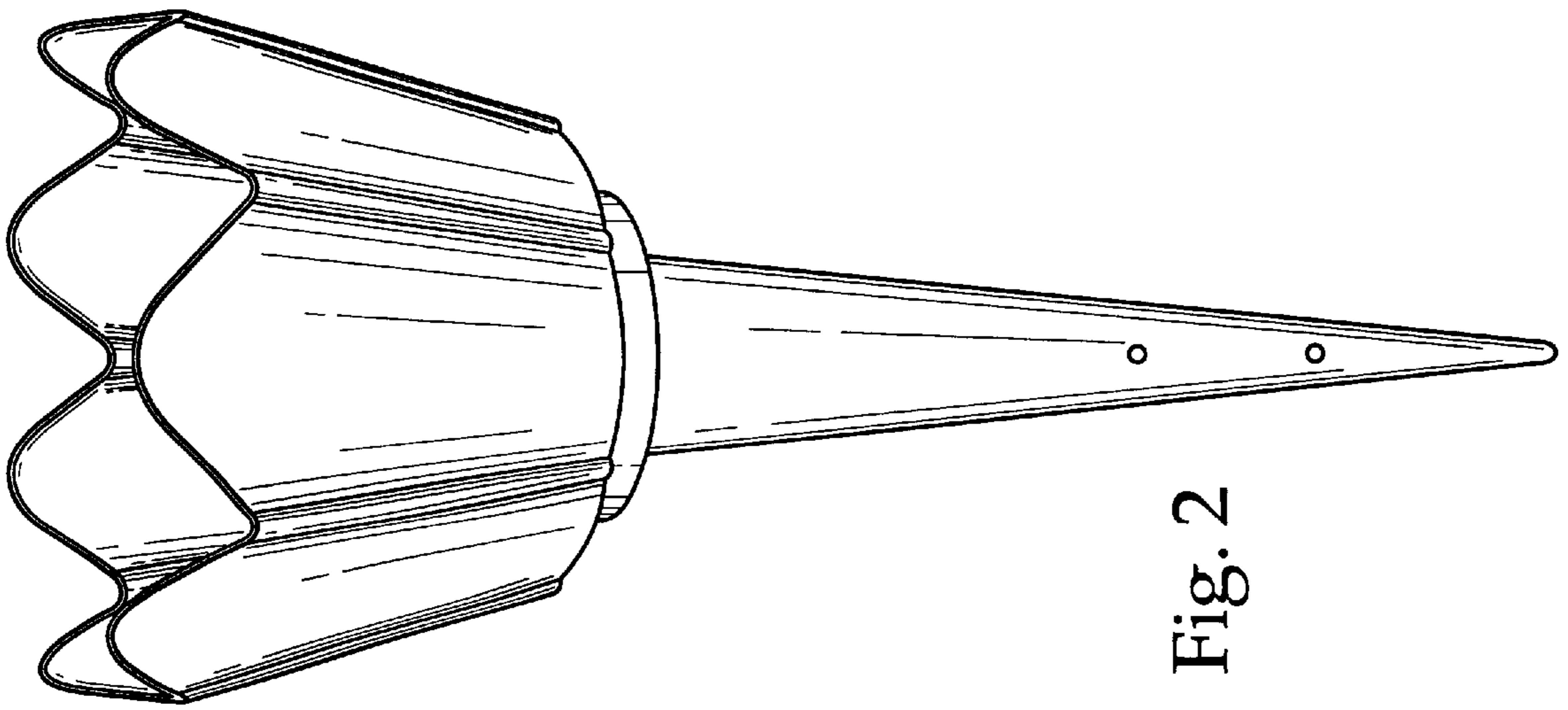


Fig. 2

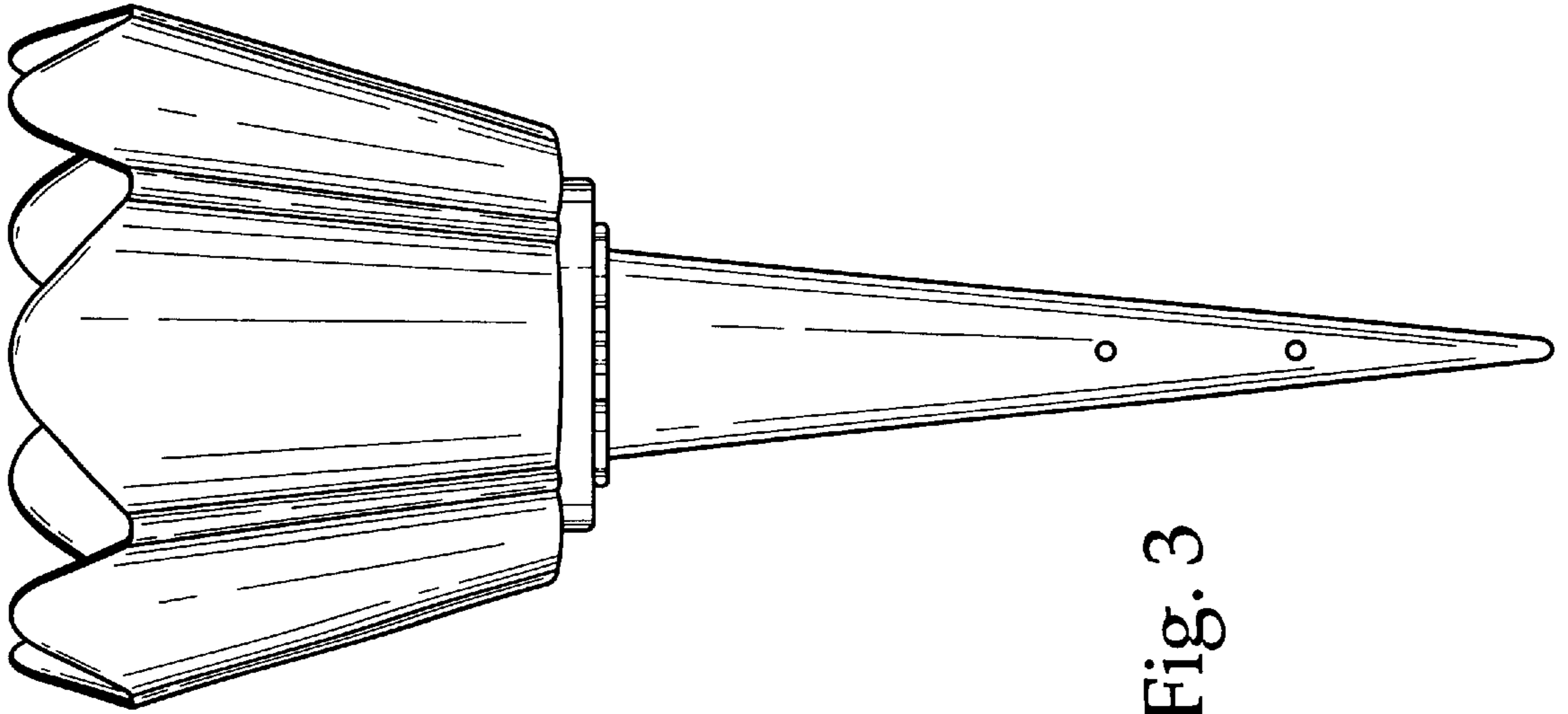


Fig. 3

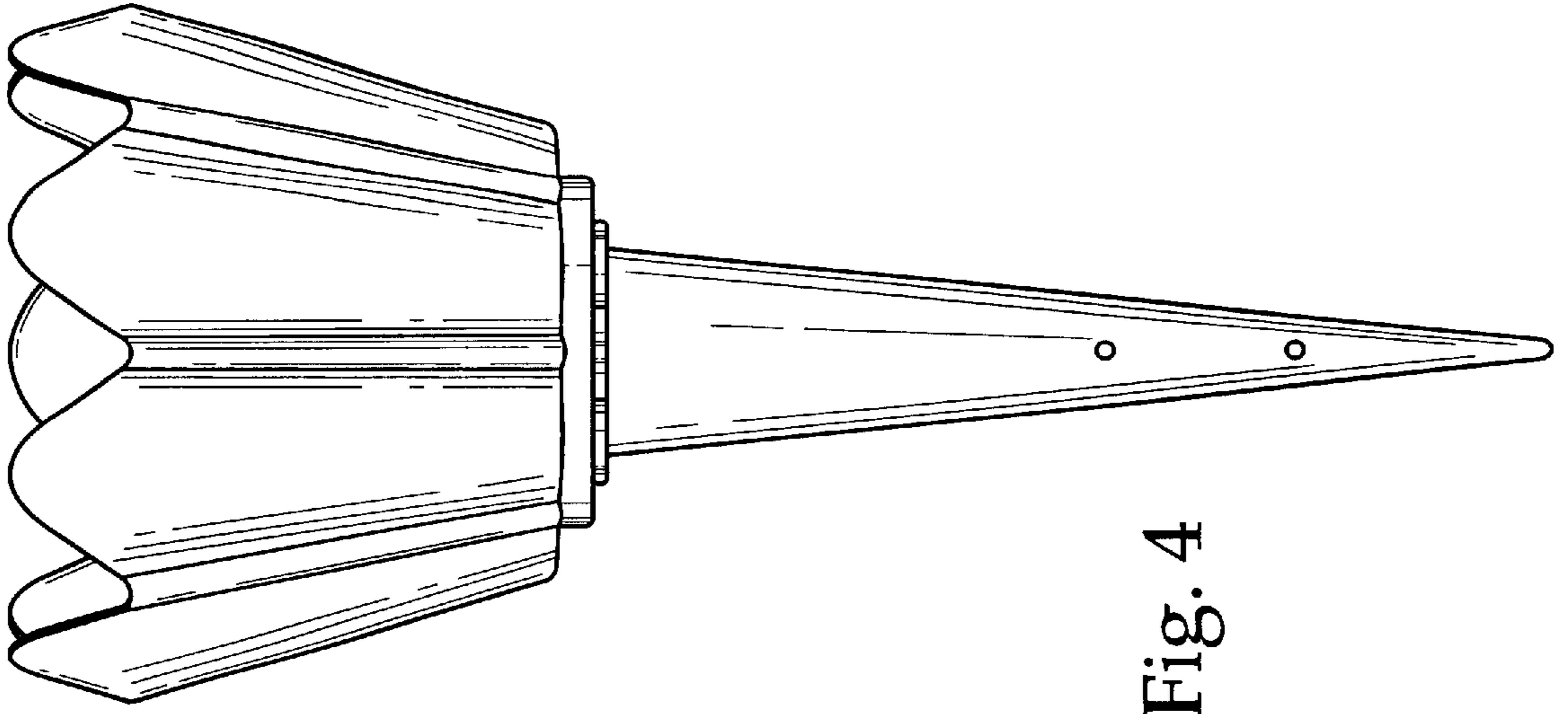


Fig. 4

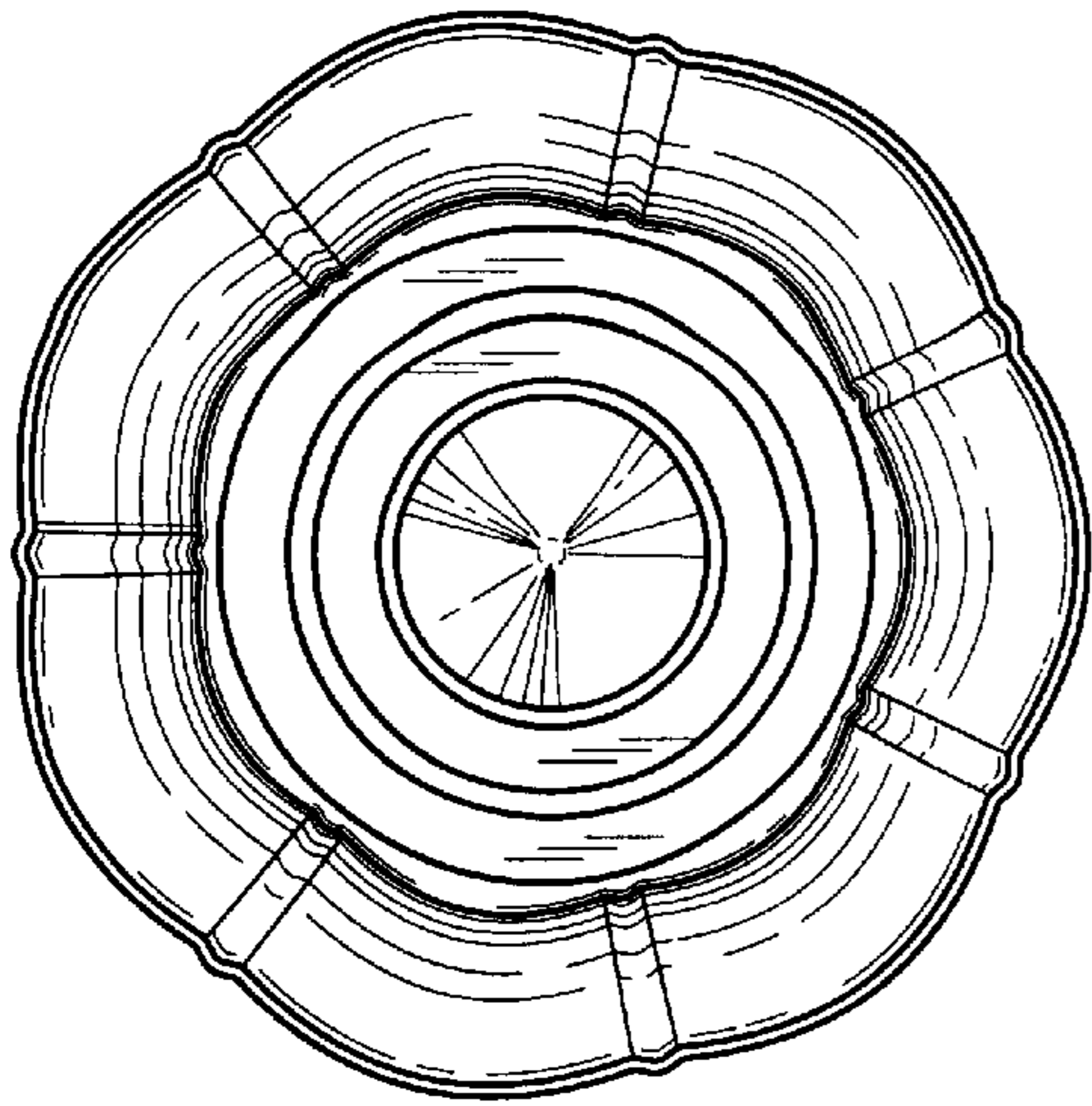


Fig. 7

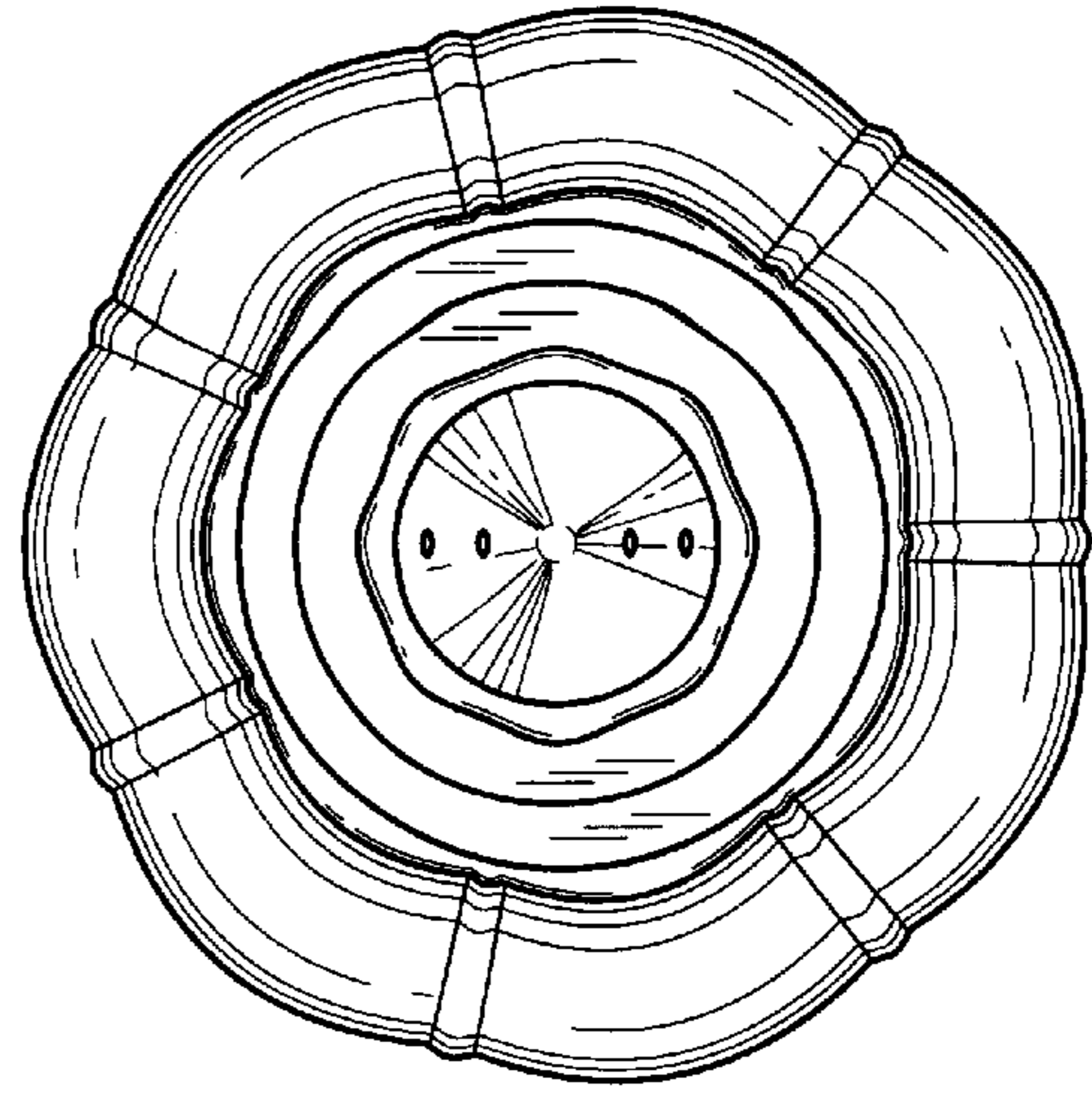


Fig. 8

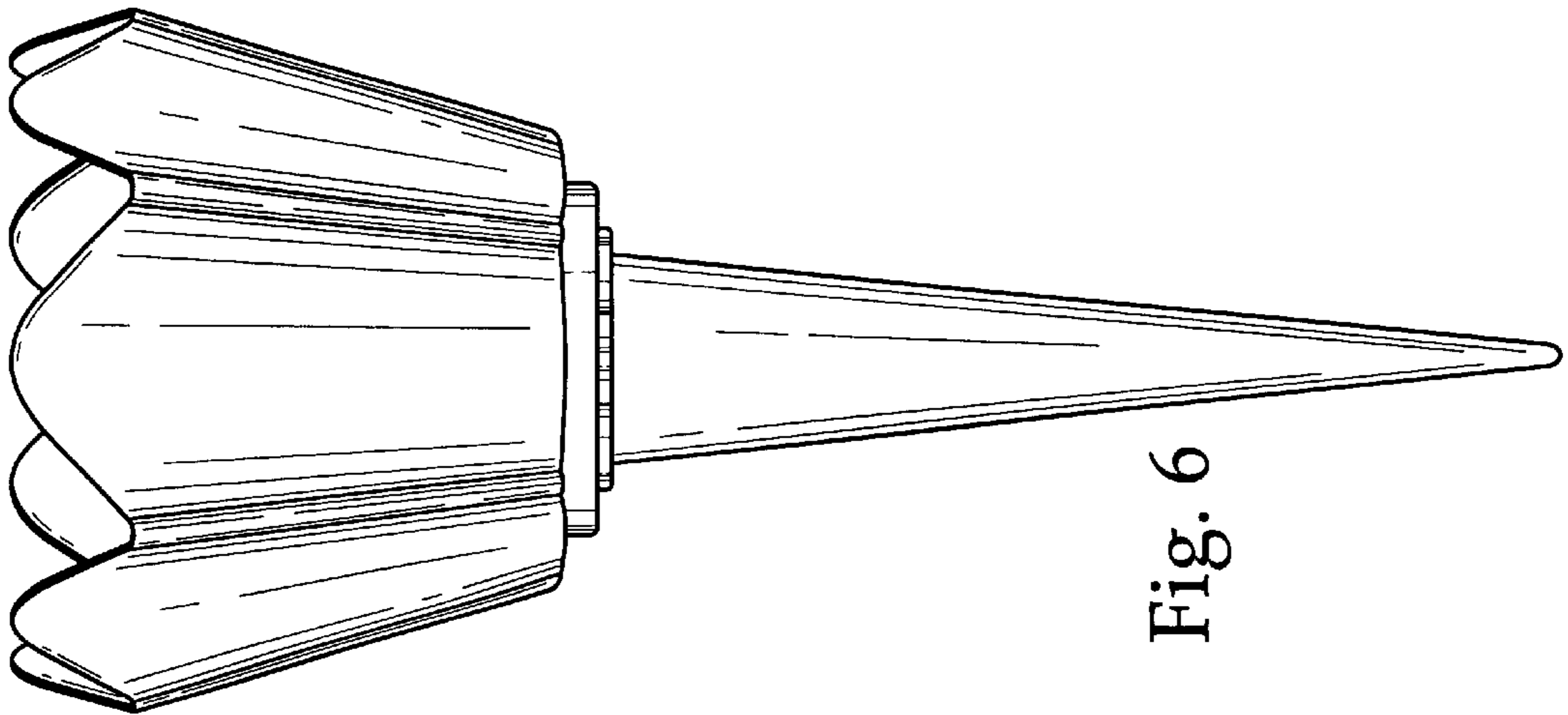


Fig. 6

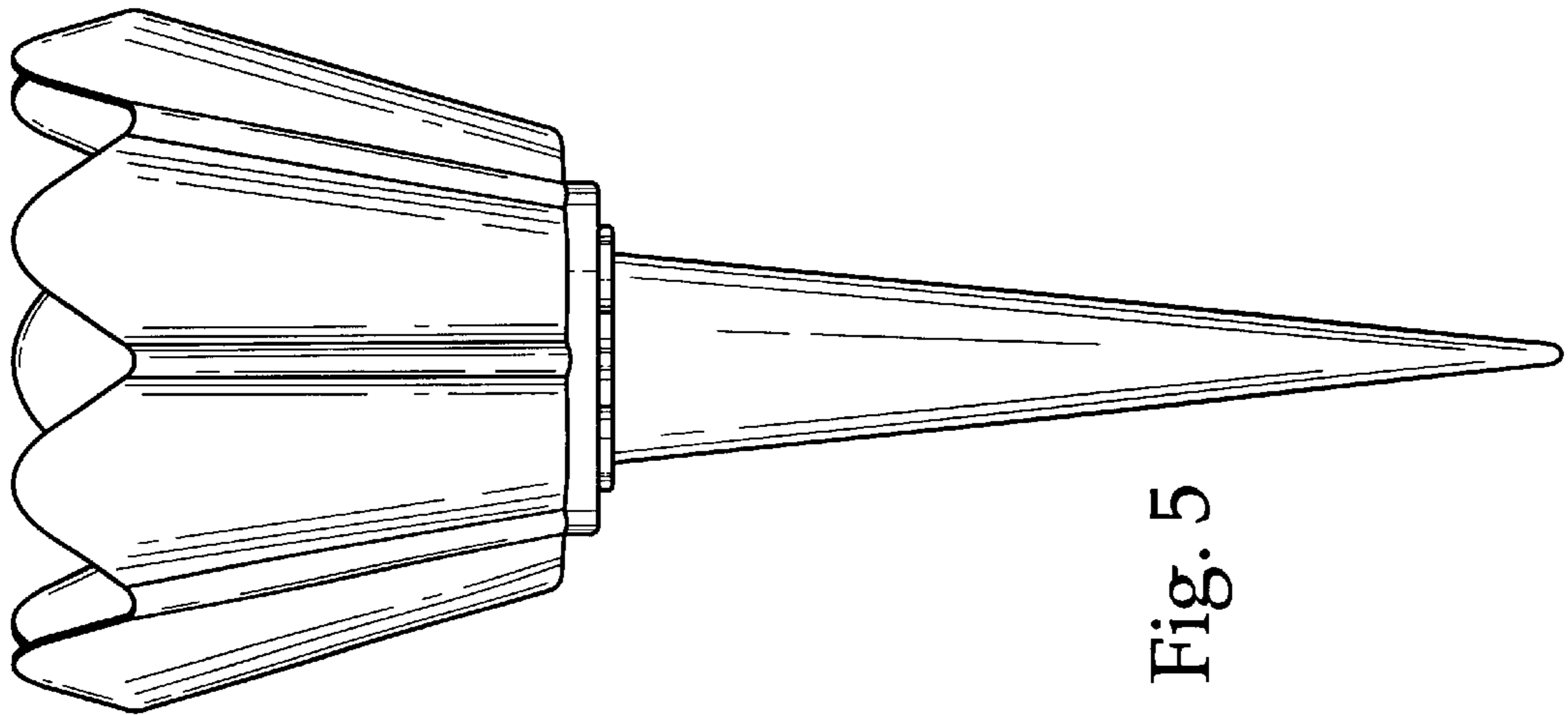


Fig. 5