



US00D456220S

(12) **United States Design Patent**
Loiacono

(10) **Patent No.:** **US D456,220 S**

(45) **Date of Patent:** **** Apr. 30, 2002**

(54) **TUBULAR BOTTLE SUPPORT**

D395,210 S * 6/1998 Almsig D23/266 X

(76) Inventor: **Anthony Loiacono**, 67 Stallion Cir.,
Rochester, NY (US) 14626

* cited by examiner

(**) Term: **14 Years**

Primary Examiner—Terry A. Wallace

(74) *Attorney, Agent, or Firm*—Greenwald & Basch LLP;
Duane C. Basch

(21) Appl. No.: **29/139,095**

(57) **CLAIM**

(22) Filed: **Mar. 22, 2001**

The ornamental design for a tubular bottle support, as shown and described.

(51) **LOC (7) Cl.** **07-06**

(52) **U.S. Cl.** **D7/619**

(58) **Field of Search** D7/619; D6/465,
D6/466; 211/13.1, 71.01, 74; 215/395;
248/105, 133, 146, 148, 152, 312; D23/266;
138/DIG. 11, 134, 115

DESCRIPTION

(56) **References Cited**

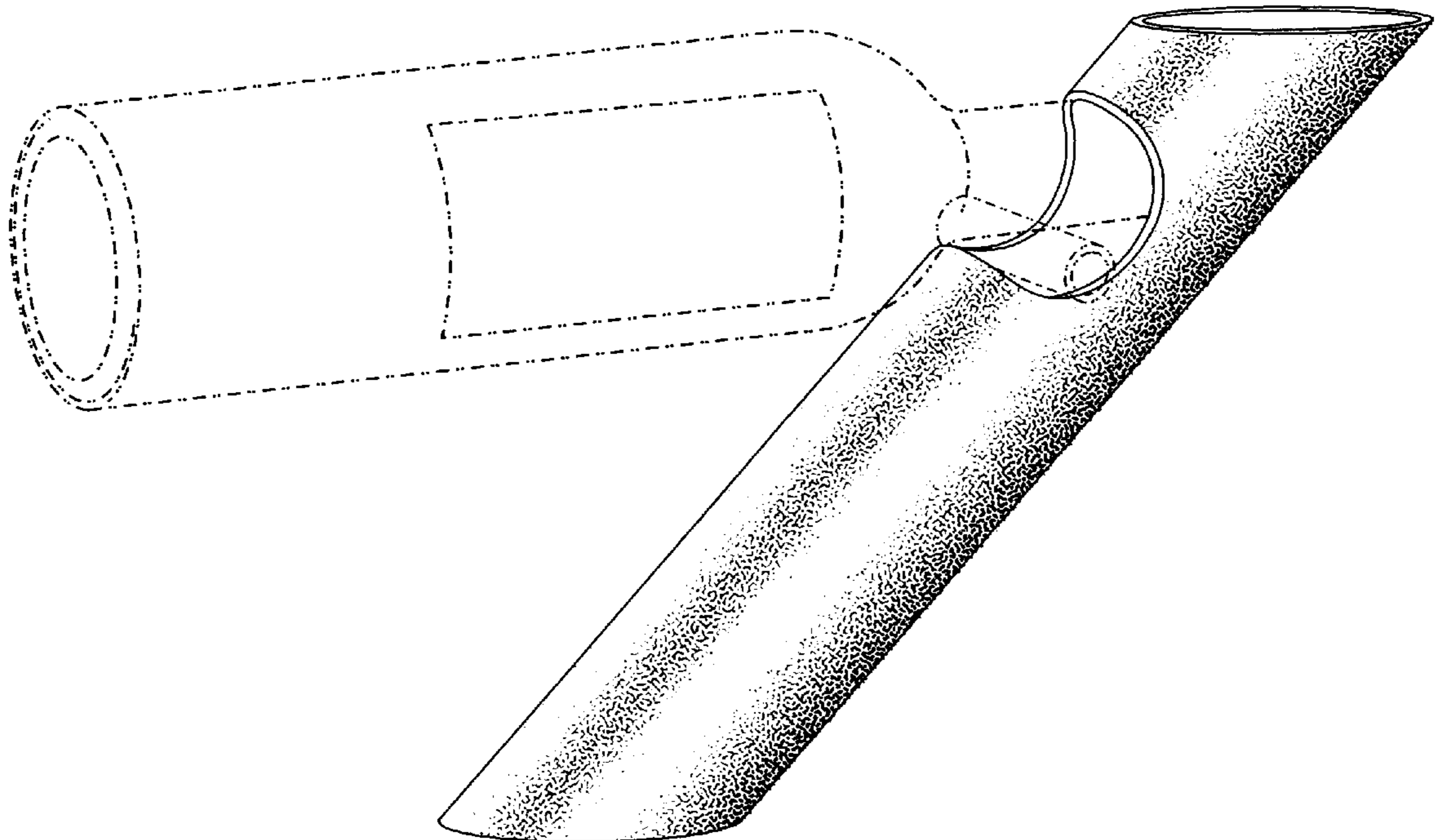
U.S. PATENT DOCUMENTS

- 3,004,330 A * 10/1961 Wilkins D23/266 X
- 3,901,389 A 8/1975 Belokin, Jr.
- 4,496,124 A 1/1985 Cole
- 4,515,334 A * 5/1985 Horne 248/146
- 5,180,066 A * 1/1993 McArdle 211/74
- D377,885 S 2/1997 Knapton

FIG. 1 is a perspective view of a tubular bottle support, showing my new design;
FIG. 2 is a front elevation view thereof;
FIG. 3 is a right-side elevation view thereof;
FIG. 4 is a rear elevation view thereof;
FIG. 5 is a left-side elevation view thereof;
FIG. 6 is a top plan view thereof; and,
FIG. 7 is a bottom plan view thereof.

The broken line showing of environment in the figures is for illustrative purposes only and forms no part of the claimed design.

1 Claim, 4 Drawing Sheets



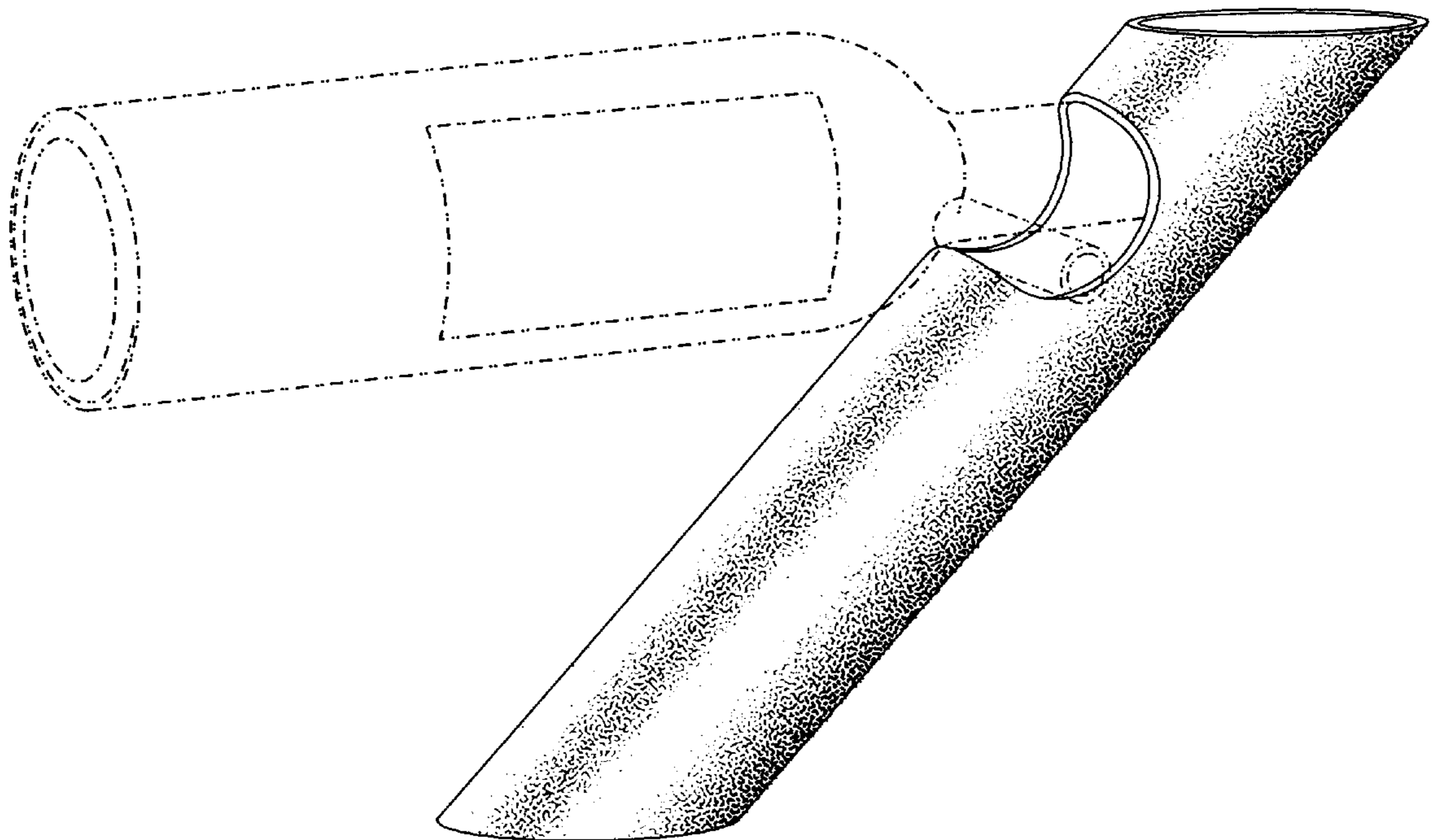


FIG. 1

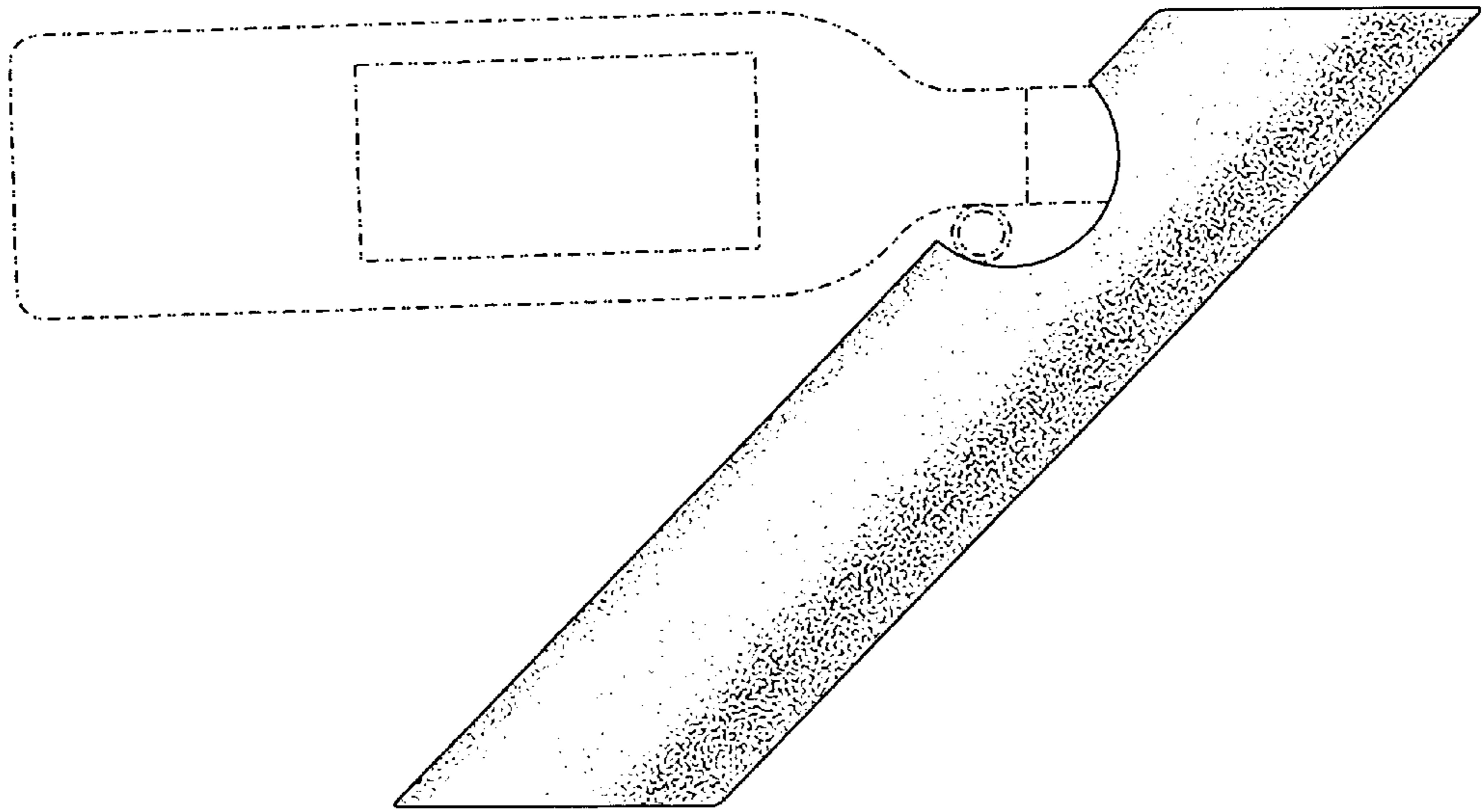


FIG. 2

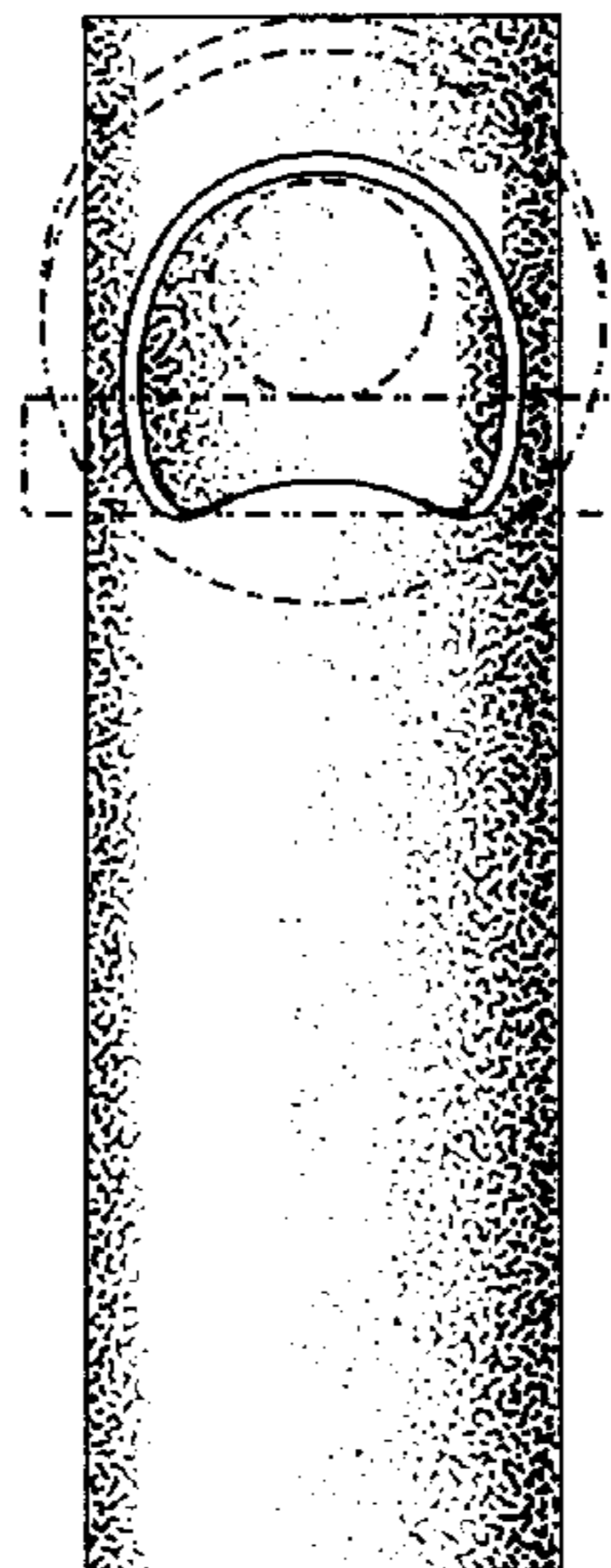


FIG. 3

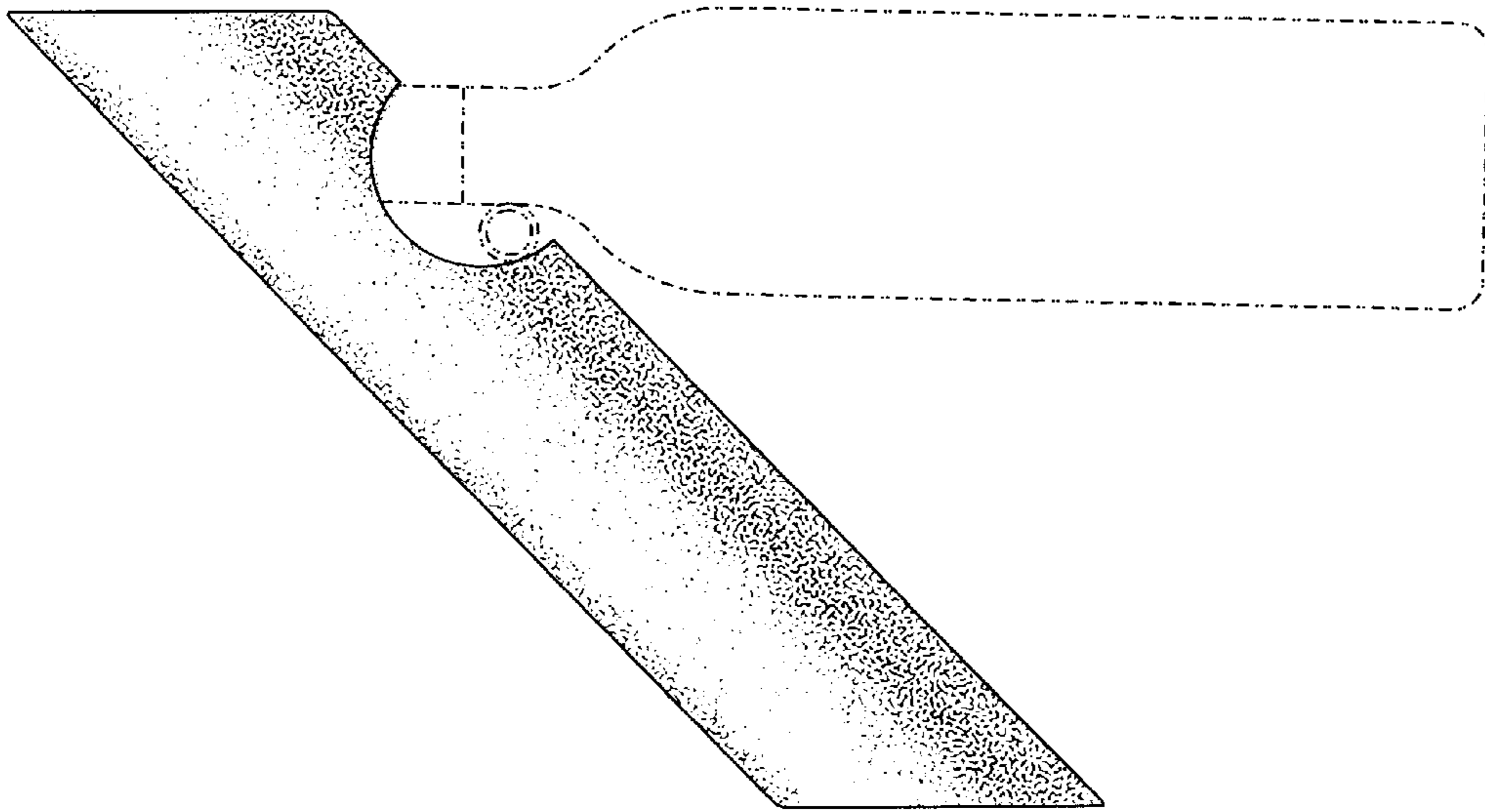


FIG. 4

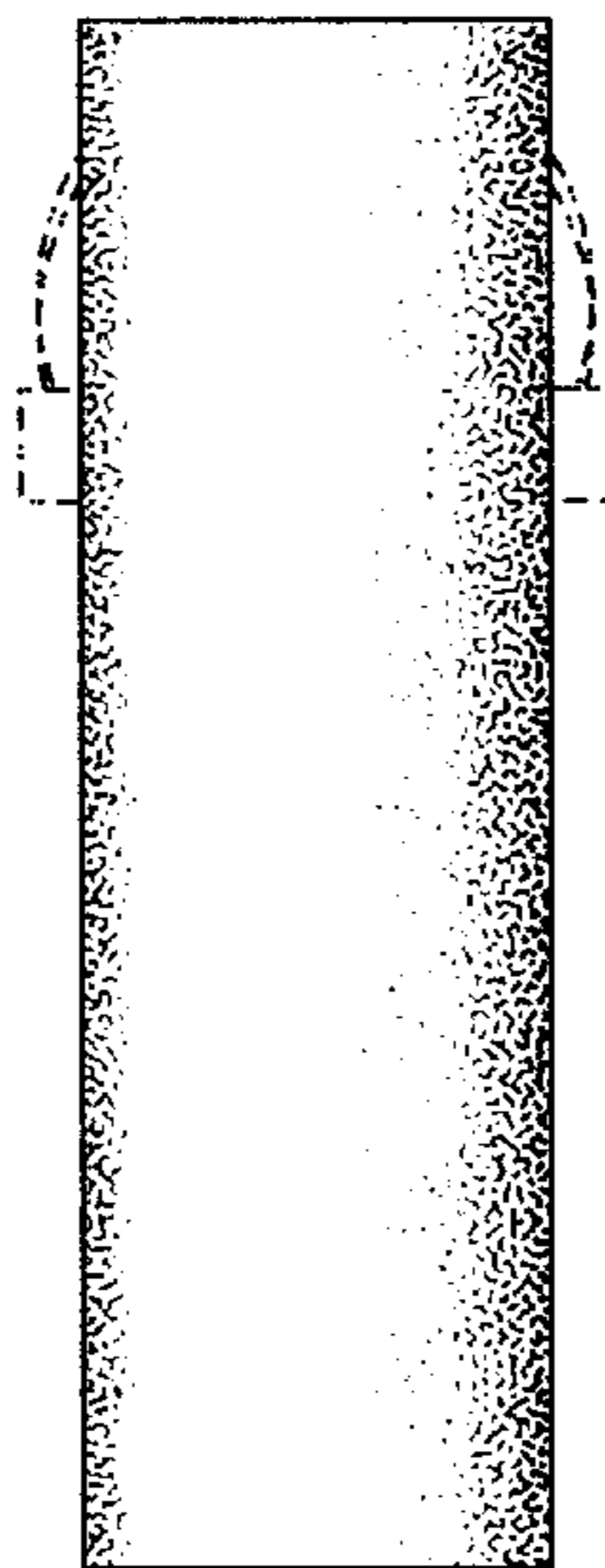


FIG. 5

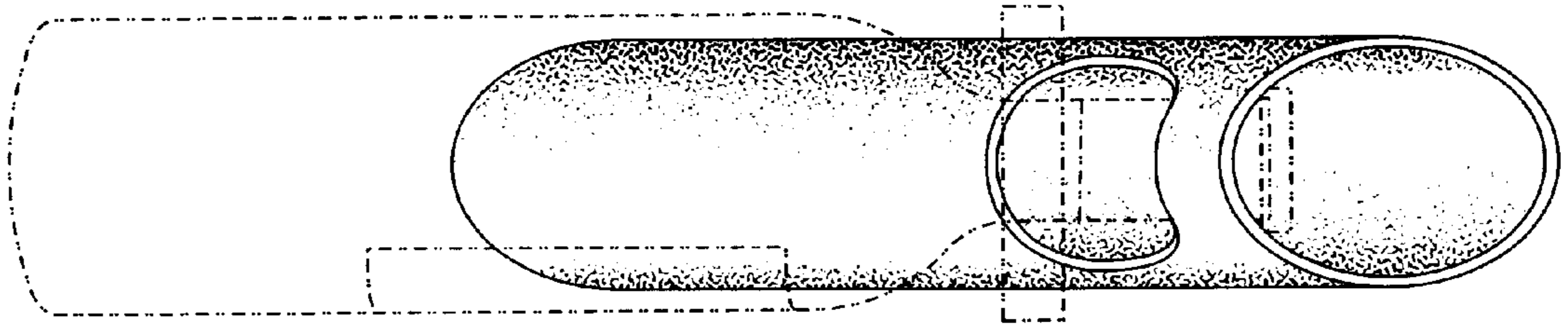


FIG. 6

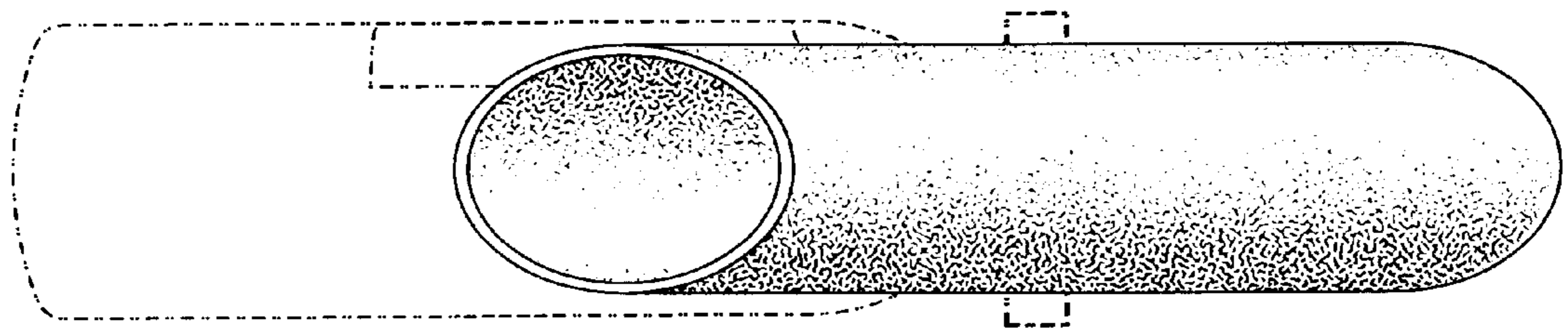


FIG. 7