



US00D456219S

(12) **United States Design Patent**
Kracke

(10) **Patent No.:** **US D456,219 S**

(45) **Date of Patent:** **** Apr. 30, 2002**

(54) **NOVELTY SNOWMAN FIGURINE/COOKIE JAR**

D365,025 S * 12/1995 Dinand D9/519
D384,595 S * 10/1997 Hartwell-Ruland D11/128

(76) **Inventor:** **Donald R. Kracke**, 883 N. Crown Dr.,
Lake Arrowhead, CA (US) 92352

* cited by examiner

(**) **Term:** **14 Years**

Primary Examiner—Terry A. Wallace

(74) *Attorney, Agent, or Firm*—Kelly Bauersfeld Lowry &
Kelley, LLP

(21) **Appl. No.:** **29/135,568**

(57) **CLAIM**

(22) **Filed:** **Jan. 12, 2001**

The ornamental design for a novelty snowman figurine/
cookie jar, as shown.

(51) **LOC (7) Cl.** **07-01**

(52) **U.S. Cl.** **D7/613**; D11/128

(58) **Field of Search** D7/612–615; D9/310,
D9/312; D11/128; D21/629; 206/457; 215/381–384

DESCRIPTION

FIG. 1 is a front elevational view of a novelty snowman figurine/cookie jar embodying my new design; FIG. 2 is a rear elevational view thereof; FIG. 3 is a right-side elevational view thereof; FIG. 4 is a left-side elevational view thereof; FIG. 5 is a top plan view thereof; and, FIG. 6 is a bottom plan view thereof.

(56) **References Cited**

U.S. PATENT DOCUMENTS

2,484,776 A * 10/1949 Zent et al. 206/457
D315,277 S * 3/1991 Meixel D9/312
D345,435 S * 3/1994 McLaughlin, II D21/629 X
D351,340 S * 10/1994 Drummon et al.

1 Claim, 2 Drawing Sheets





FIG. 1

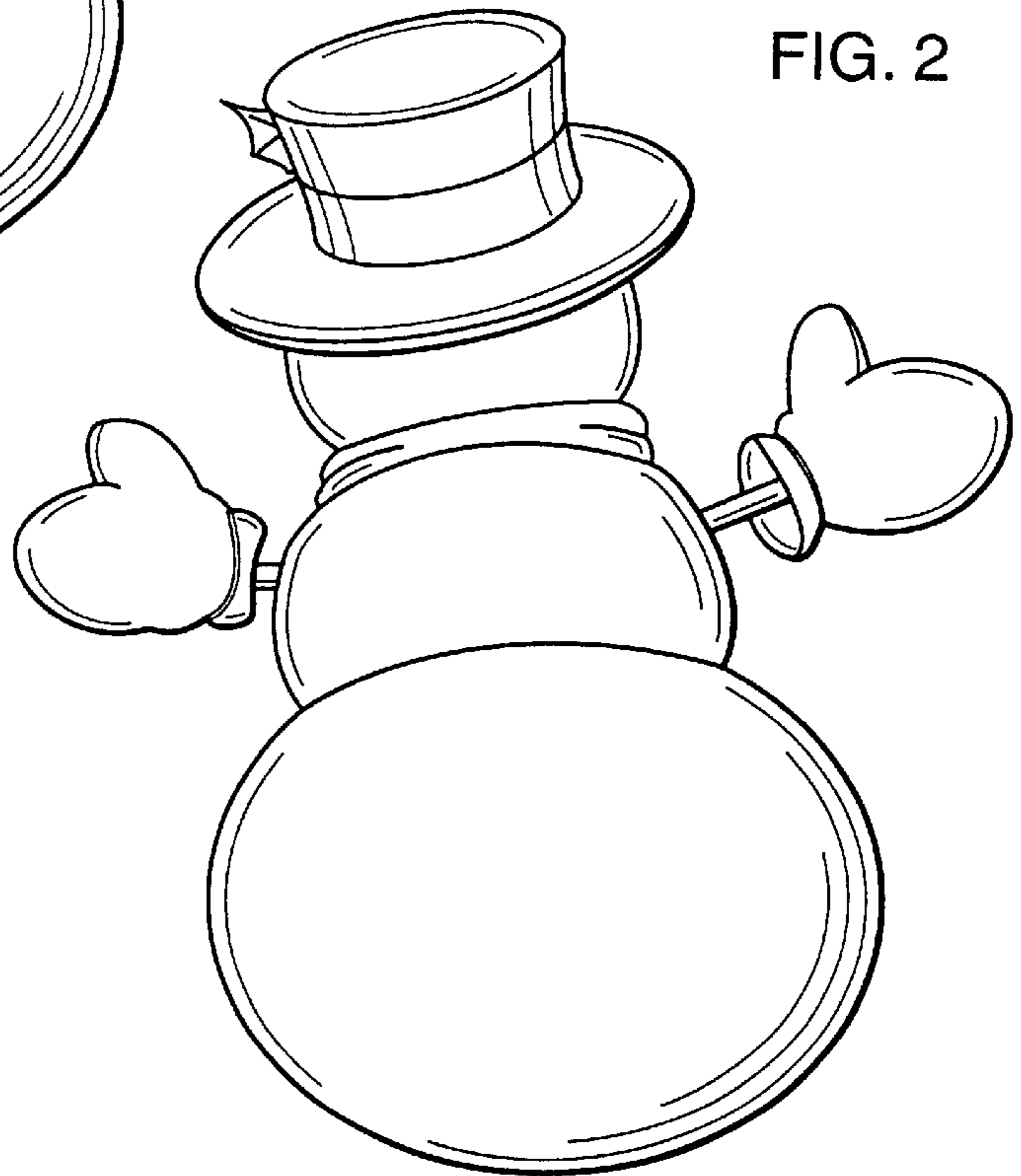


FIG. 2

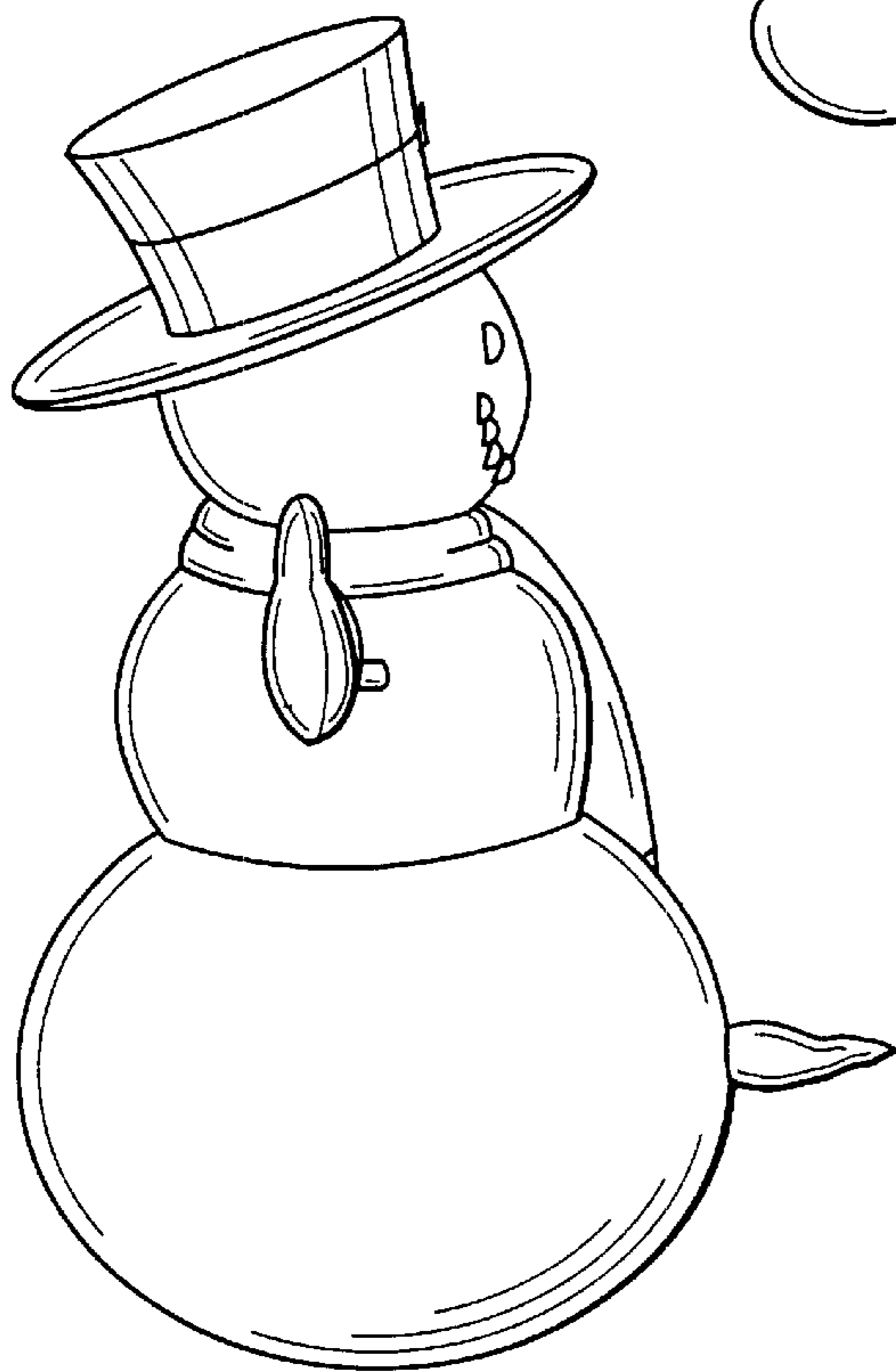


FIG. 3

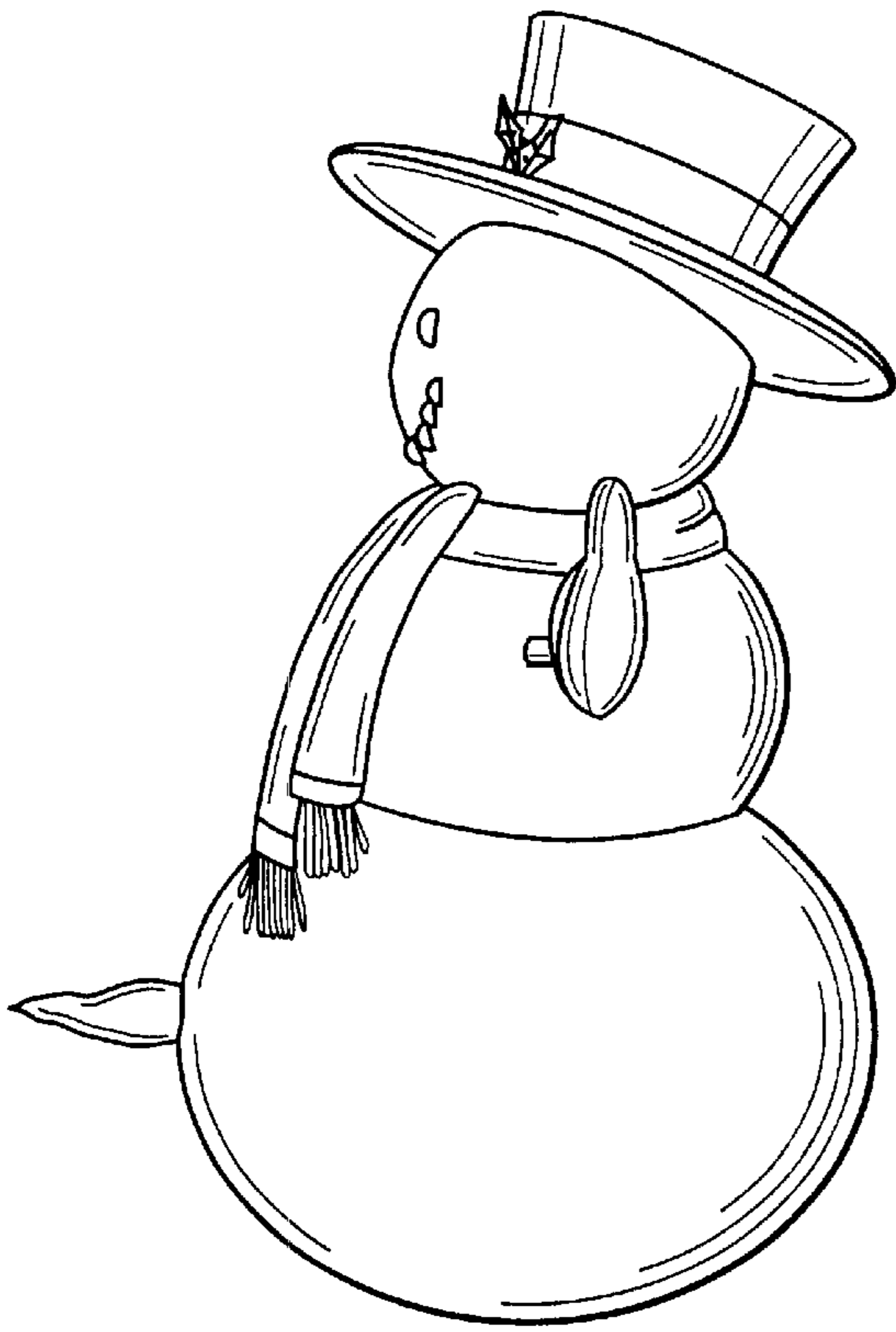


FIG. 4

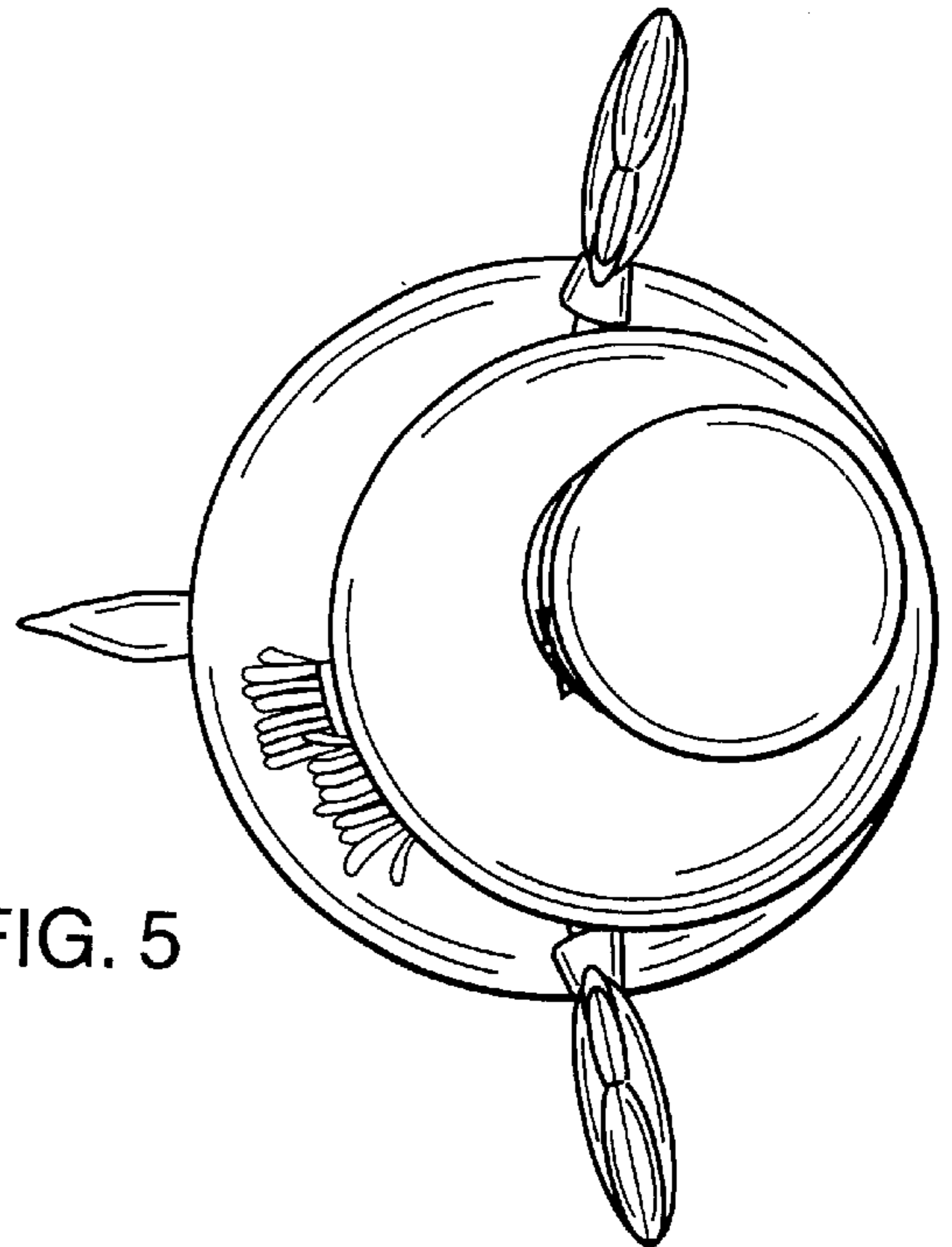


FIG. 5

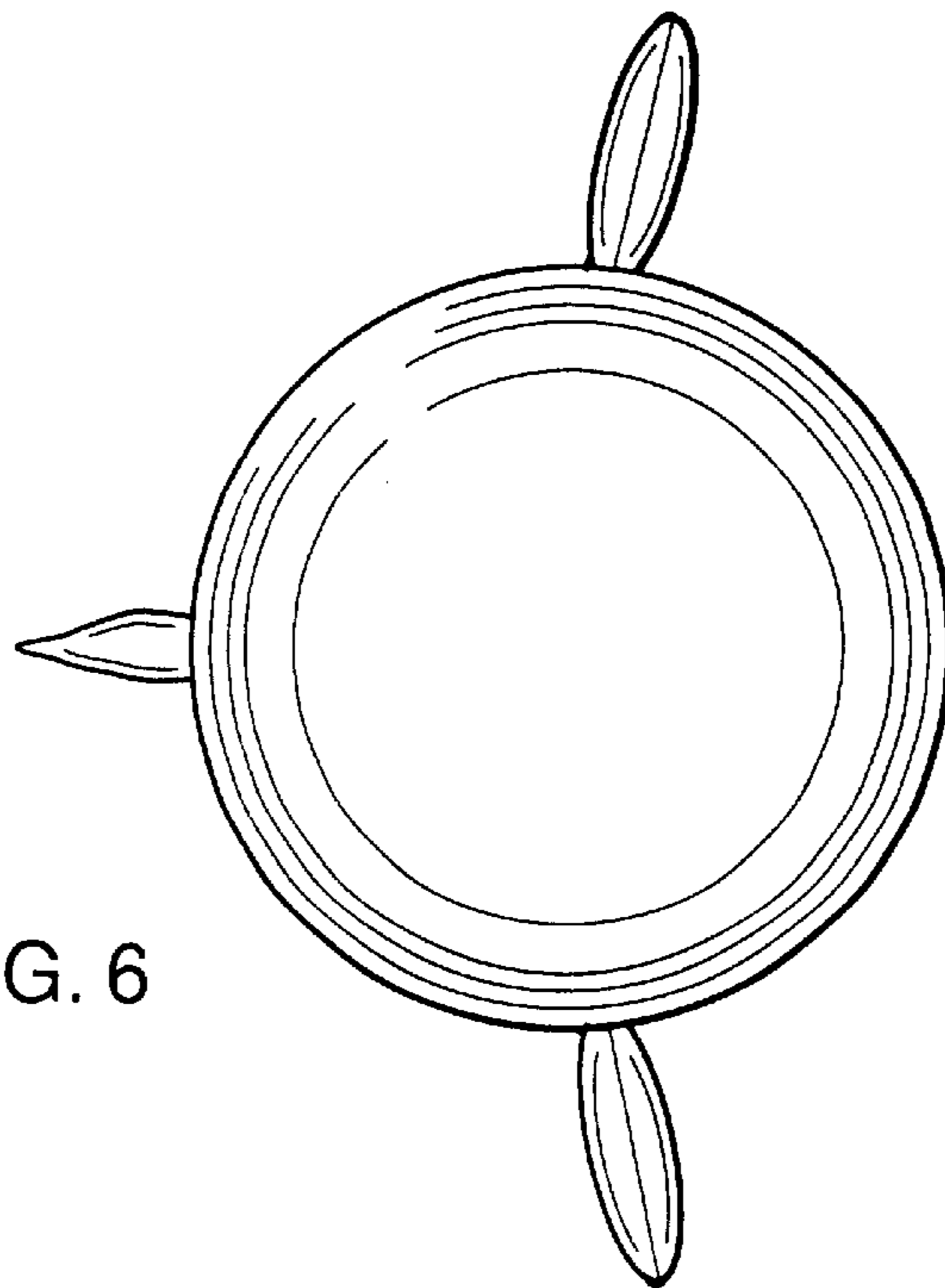


FIG. 6