



US00D456211S

(12) **United States Design Patent**
Price

(10) **Patent No.:** **US D456,211 S**

(45) **Date of Patent:** **** Apr. 30, 2002**

(54) **MUG**

(75) **Inventor:** **Eric J. Price**, Medford, MA (US)

(73) **Assignee:** **Punch Products USA, Inc.**, Rahway, NJ (US)

(**) **Term:** **14 Years**

(21) **Appl. No.:** **29/134,813**

(22) **Filed:** **Dec. 29, 2000**

(51) **LOC (7) Cl.** **07-01**

(52) **U.S. Cl.** **D7/509; D7/523**

(58) **Field of Search** D7/531, 619, 523, D7/509, 507, 511, 587; 270/675, 711, 737, 752; 215/12.1; 229/400, 403; 206/520; D34/1

D382,446 S * 8/1997 Bacon D7/587

D395,395 S 6/1998 De Muschamp Payne

5,803,306 A 9/1998 Lewis

D399,392 S 10/1998 Husted

5,839,599 A 11/1998 Lin

5,845,807 A 12/1998 De Villiers

5,899,354 A 5/1999 Garcia

5,918,761 A 7/1999 Wissinger

D423,877 S * 5/2000 Kerr D7/509

D446,684 S * 8/2001 Price D7/509

D477,915 * 9/2001 Lefroy-Brooks D7/507

OTHER PUBLICATIONS

No. 8702, 11½ oz. Monongah Glass Co. Catalog Apr. 1920, p. 159.*

* cited by examiner

Primary Examiner—M. N. Pandozzi

(74) *Attorney, Agent, or Firm*—Pennie & Edmonds LLP

(56) **References Cited**

U.S. PATENT DOCUMENTS

D72,783 S * 5/1927 Buell D7/523

2,051,446 A * 8/1936 Ice 215/12.1

2,792,696 A 5/1957 Stayart

D209,307 S * 11/1967 Schilling D7/523

3,495,733 A * 2/1970 Davis 206/520

D225,253 S * 11/1972 Quistgaard D7/509

3,847,324 A * 11/1974 Uchanski et al. 220/737

4,273,245 A * 6/1981 Machalek 215/12.1

D264,795 S 6/1982 Strieber

D288,766 S * 3/1987 Tardif D7/523

4,762,229 A 8/1988 Wickre

D305,193 S * 12/1989 Sajadieh D7/509

5,071,060 A * 12/1991 DeFelice 229/403

5,249,703 A 10/1993 Karp

5,301,830 A 4/1994 Müller

D370,831 S 6/1996 Steinfels, III et al.

5,645,191 A 7/1997 Neville

(57) **CLAIM**

The ornamental design for a mug, as shown and described.

DESCRIPTION

FIG. 1 is a perspective view of a mug according to the present invention;

FIG. 2 is a front view thereof, the rear view being a mirror image thereof;

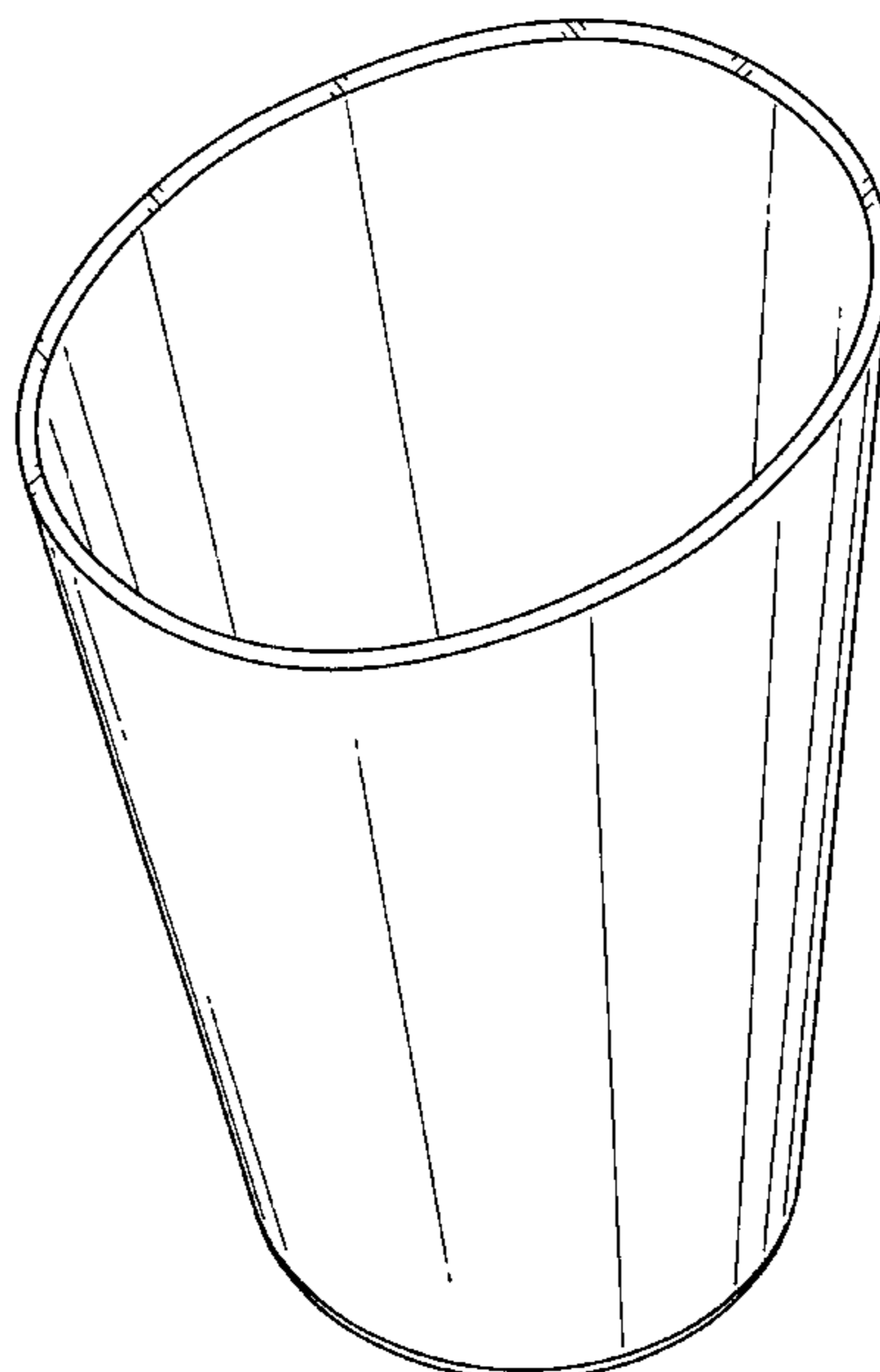
FIG. 3 is a right side view thereof, the left side view being a mirror image thereof;

FIG. 4 is a top view thereof; and,

FIG. 5 is a bottom view thereof.

It should be understood that the claimed mug design can include a variety of shaped lids to fit on top of the mug and/or a handle to hold the mug.

1 Claim, 5 Drawing Sheets



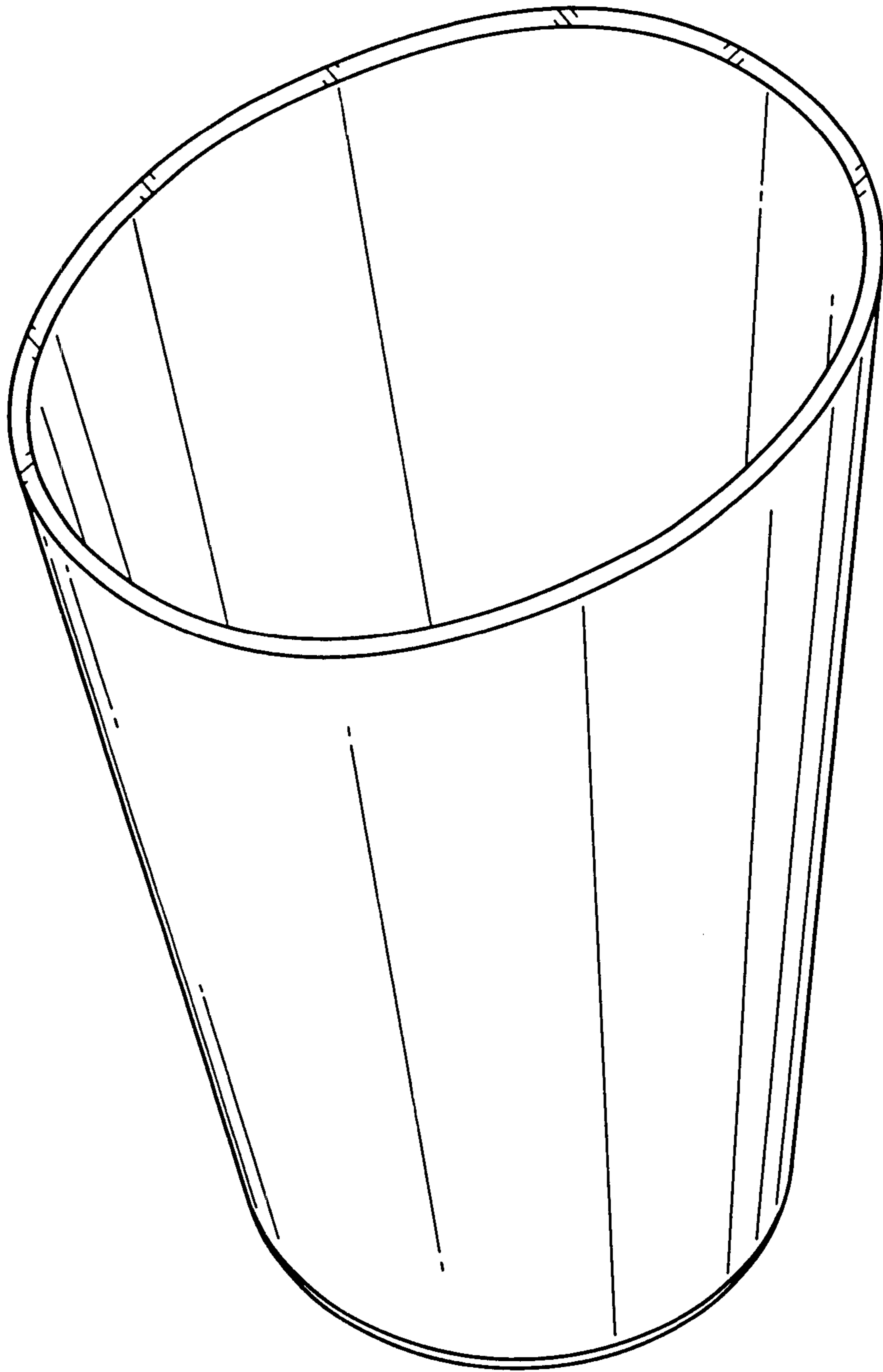


FIG. 1

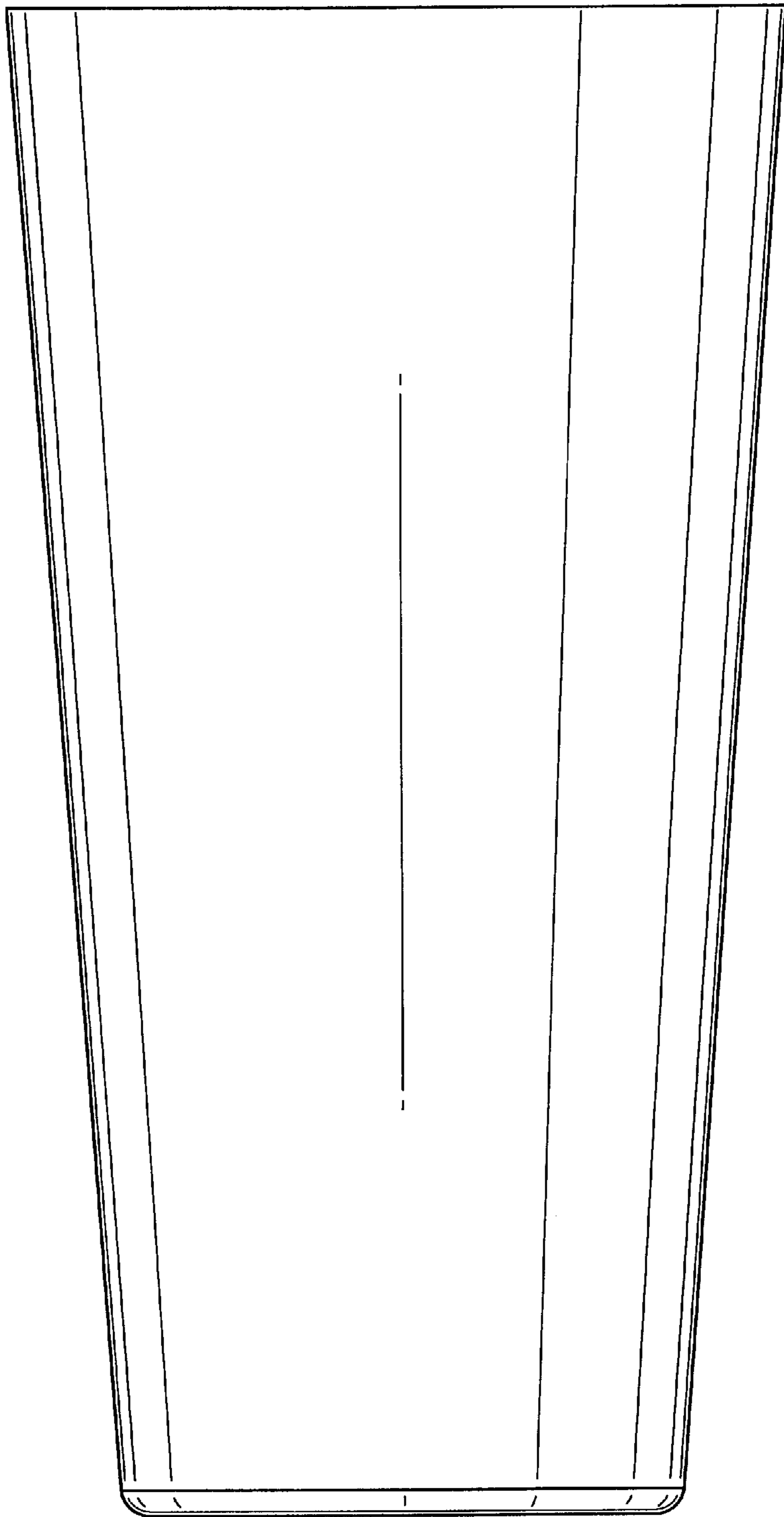


FIG. 2

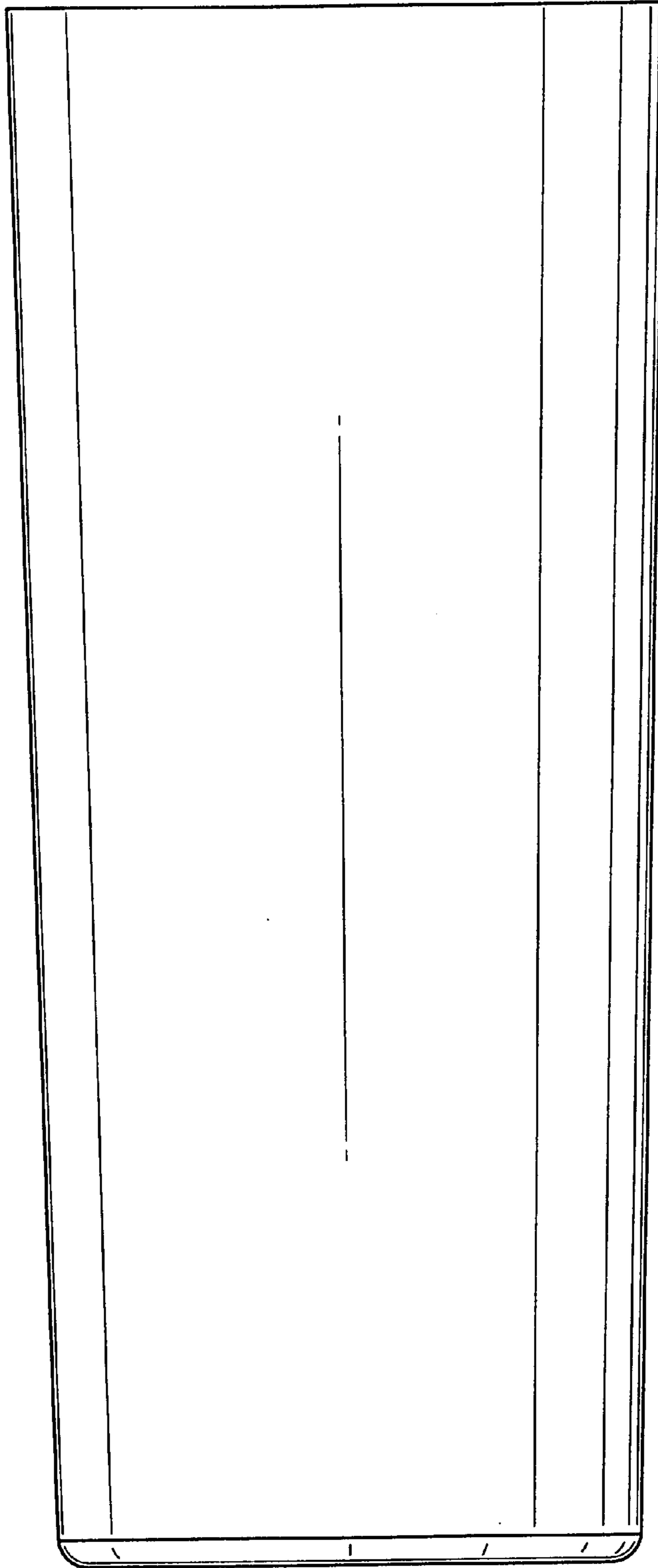


FIG. 3

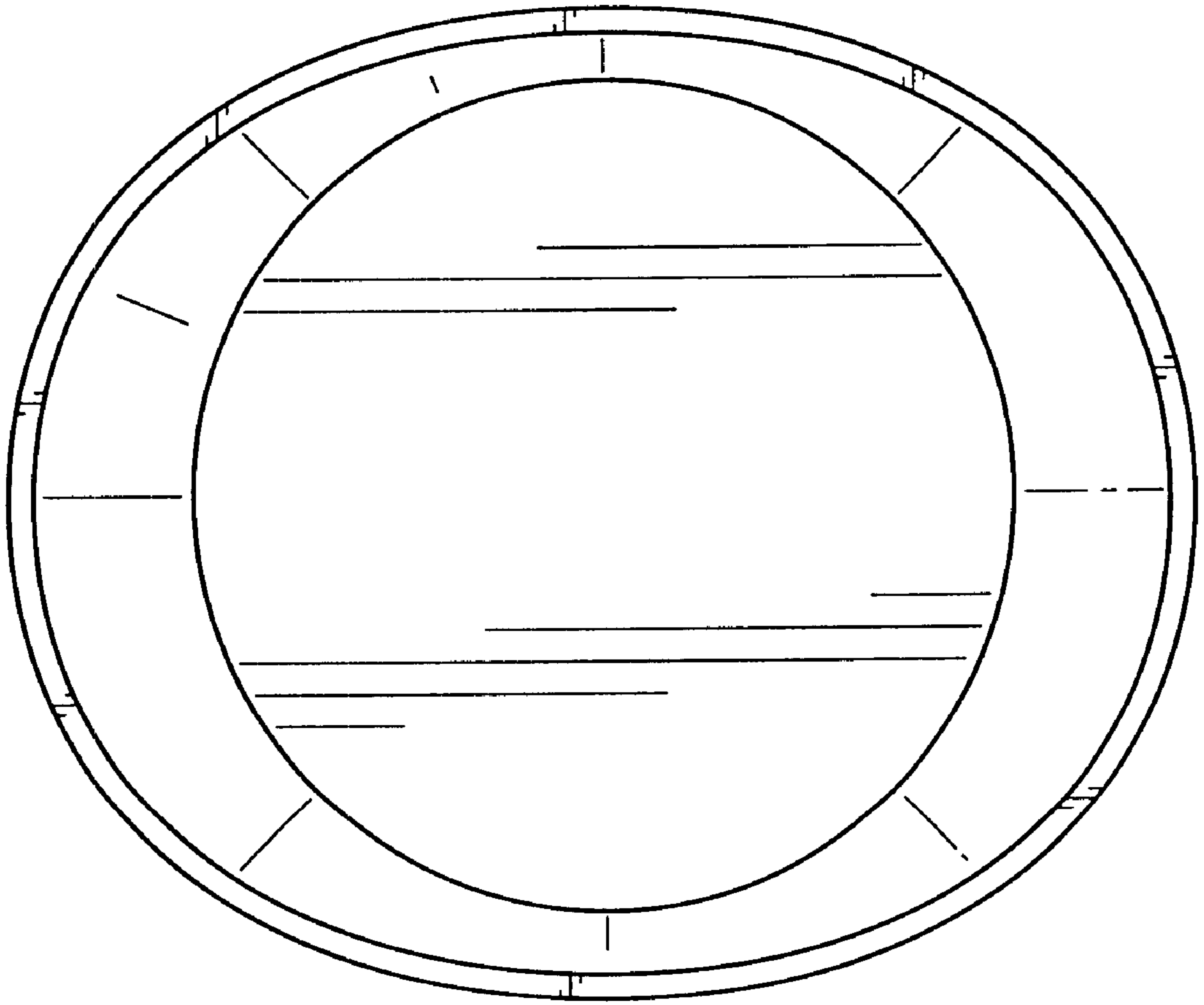


FIG. 4

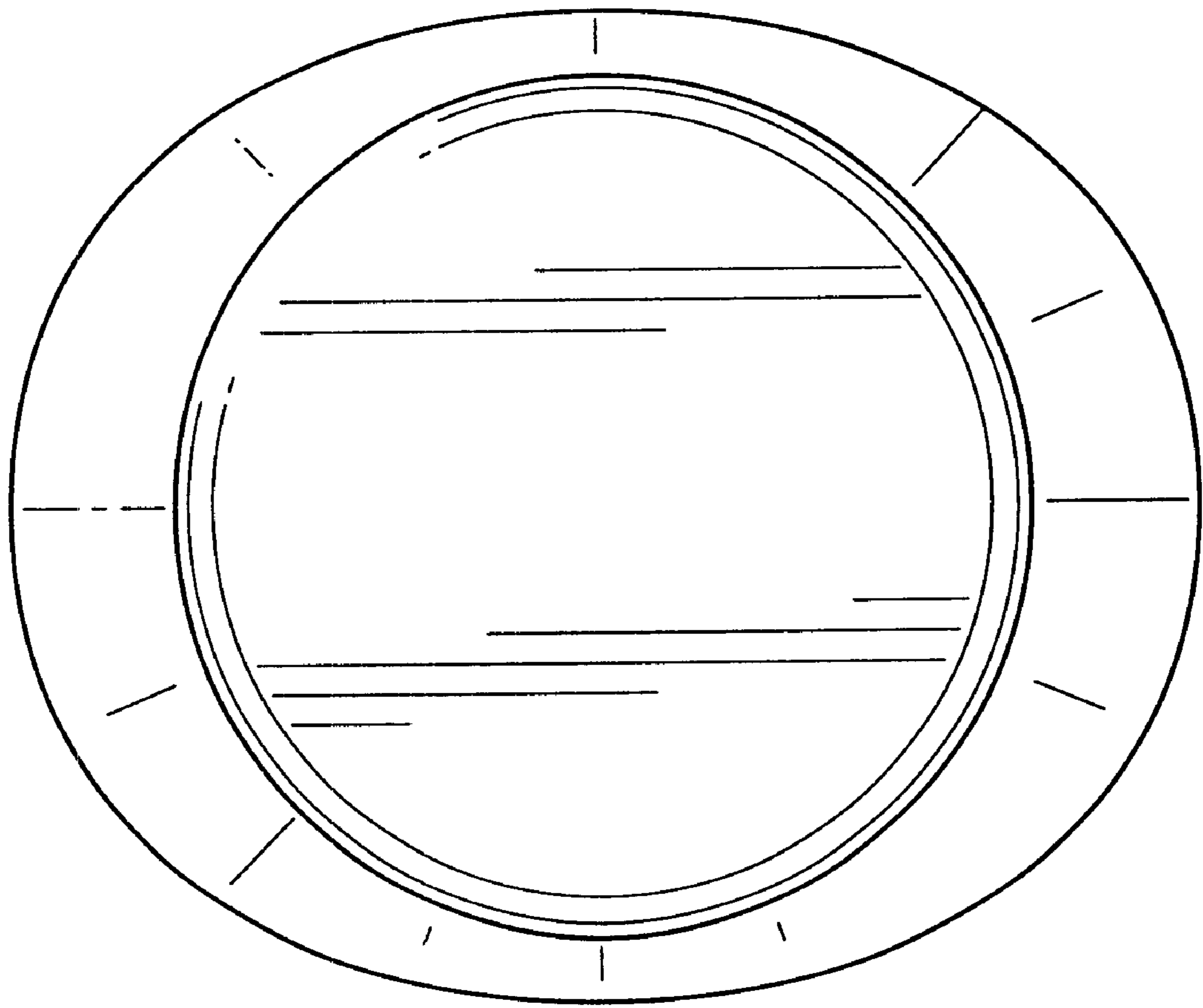


FIG. 5