



US00D456210S

(12) **United States Design Patent**  
**Bamford**

(10) **Patent No.: US D456,210 S**

(45) **Date of Patent: \*\* Apr. 30, 2002**

(54) **SET OF CROCKERY**

(75) Inventor: **Roderick J Bamford**, McMasters Beach (AU)

(73) Assignee: **Manfredi Enterprises Pty. Ltd.**, Sydney (AU)

(\*\*) Term: **14 Years**

(21) Appl. No.: **29/119,781**

(22) Filed: **Mar. 8, 2000**

(30) **Foreign Application Priority Data**

Sep. 9, 1999 (AU) ..... 2895/99

(51) **LOC (7) Cl.** ..... **07-01**

(52) **U.S. Cl.** ..... **D7/505**

(58) **Field of Search** ..... D7/388, 396.3, D7/400, 500, 505, 507, 509, 510, 511, 514, 515, 516, 522, 523, 524, 531, 532, 533, 534, 536, 537, 584, 901; D24/197; 99/279, 295, 304, 306; 141/106, 340, 341, 342, 364; 206/217, 520; 210/249, 250, 474, 478; 215/11.1, 11.6, 227, 379, 383, 392, 393; 220/367.1, 574, 669, 671, 672, 673, 675, 700, 703, 704, 705, 712, 713, 714, 715, 717, 718, 729, 737, 739, 771; 229/106, 400, 402; 248/94

(56) **References Cited**

**U.S. PATENT DOCUMENTS**

D22,780 S	*	9/1893	Hache	.....	D7/584
D55,129 S	*	5/1920	Koken	.....	D7/523
1,517,298 A	*	12/1924	Lange	.....	D5/509
D69,818 S	*	4/1926	Connor	.....	D7/584
D78,171 S	*	4/1929	Stern	.....	D7/536
D250,314 S	*	11/1978	Elliott et al.	.....	D7/511
D393,777 S	*	4/1998	Bernard	.....	D5/500

**OTHER PUBLICATIONS**

#575—1¼ oz. individual salt dip; Bryce Brothers Company 1936 catalogue, p. 463.\*

\* cited by examiner

*Primary Examiner*—Doris V. Coles

*Assistant Examiner*—T. Chase Nelson

(74) *Attorney, Agent, or Firm*—Ladas & Parry

(57) **CLAIM**

The ornamental design for a set of crockery, as shown and described.

**DESCRIPTION**

FIG. 1 is a Bottom Plan View showing the small beaker of a set of crockery;

FIG. 2 is a Top Plan View thereof;

FIG. 3 is a Side Elevational View, it being understood that all other sides are the same, thereof;

FIG. 4 is a Perspective View thereof;

FIG. 5 is a Bottom Plan View showing the large beaker of a set of crockery;

FIG. 6 is a Top Plan View thereof;

FIG. 7 is a Side Elevational View, it being understood that all other sides are the same, thereof;

FIG. 8 is a Perspective View thereof;

FIG. 9 is a Bottom Plan View showing the cup of a set of crockery;

FIG. 10 is a Top Plan View thereof;

FIG. 11 is a Front Side Elevational View thereof;

FIG. 12 is a Rear Side Elevational View thereof;

FIG. 13 is a Left Side Elevational View thereof;

FIG. 14 is a Right Side Elevational View thereof;

FIG. 15 is a Perspective View thereof;

FIG. 16 is a Top View showing the saucer of a set of crockery;

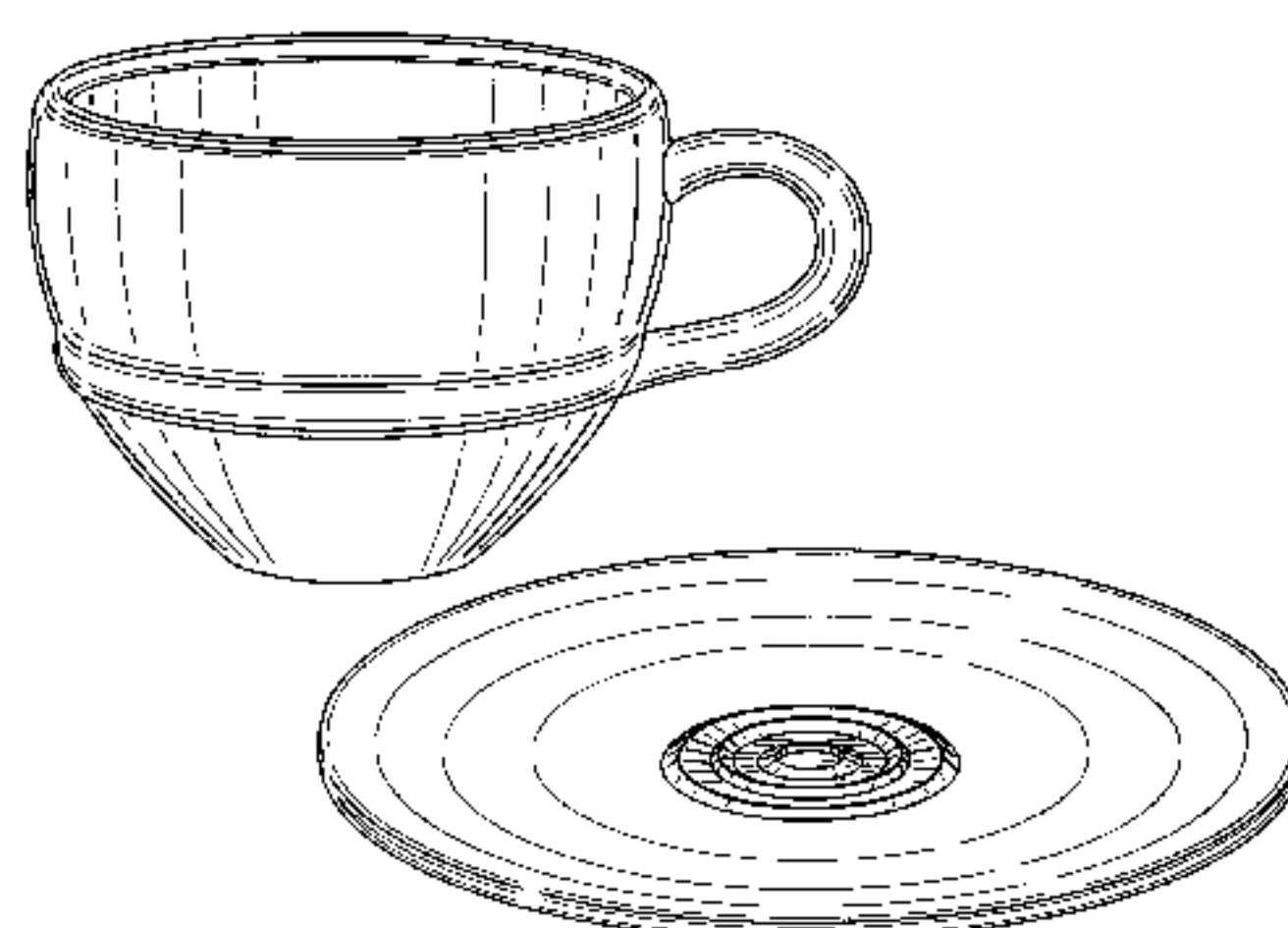
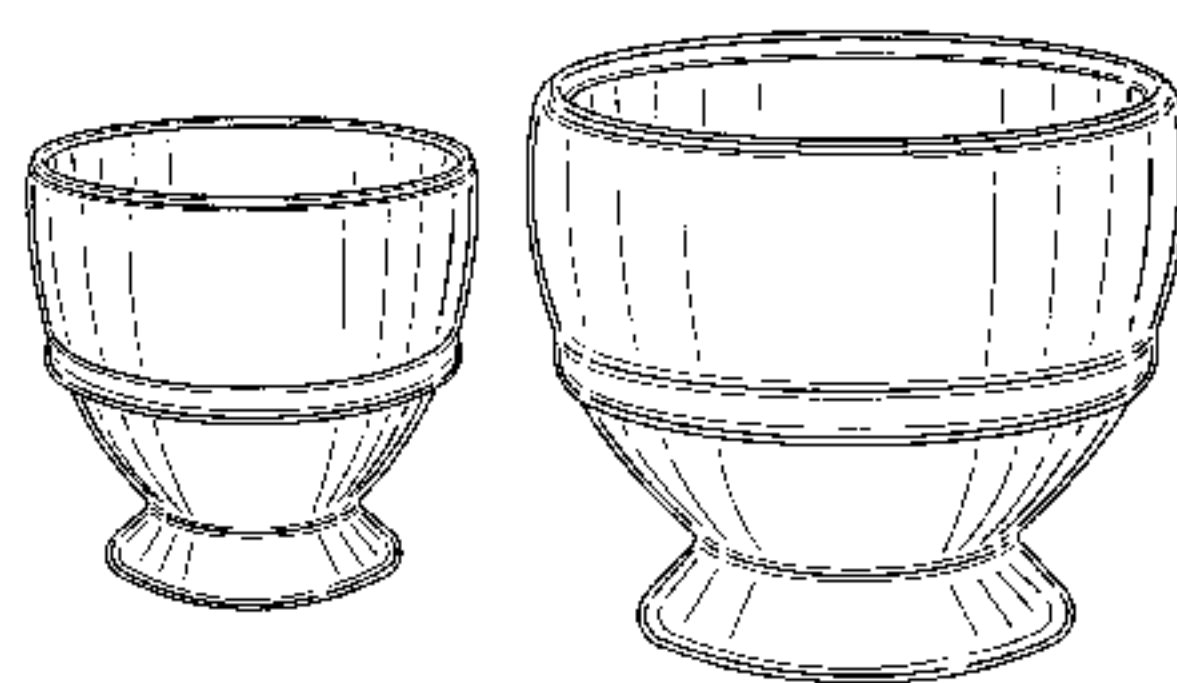
FIG. 17 is a Bottom Plan View thereof;

FIG. 18 is a Side Elevational View, it being understood that all other sides are the same, thereof;

FIG. 19 is a Perspective View thereof; and,

FIG. 20 is a Perspective View of a set of crockery showing my new design.

**1 Claim, 20 Drawing Sheets**



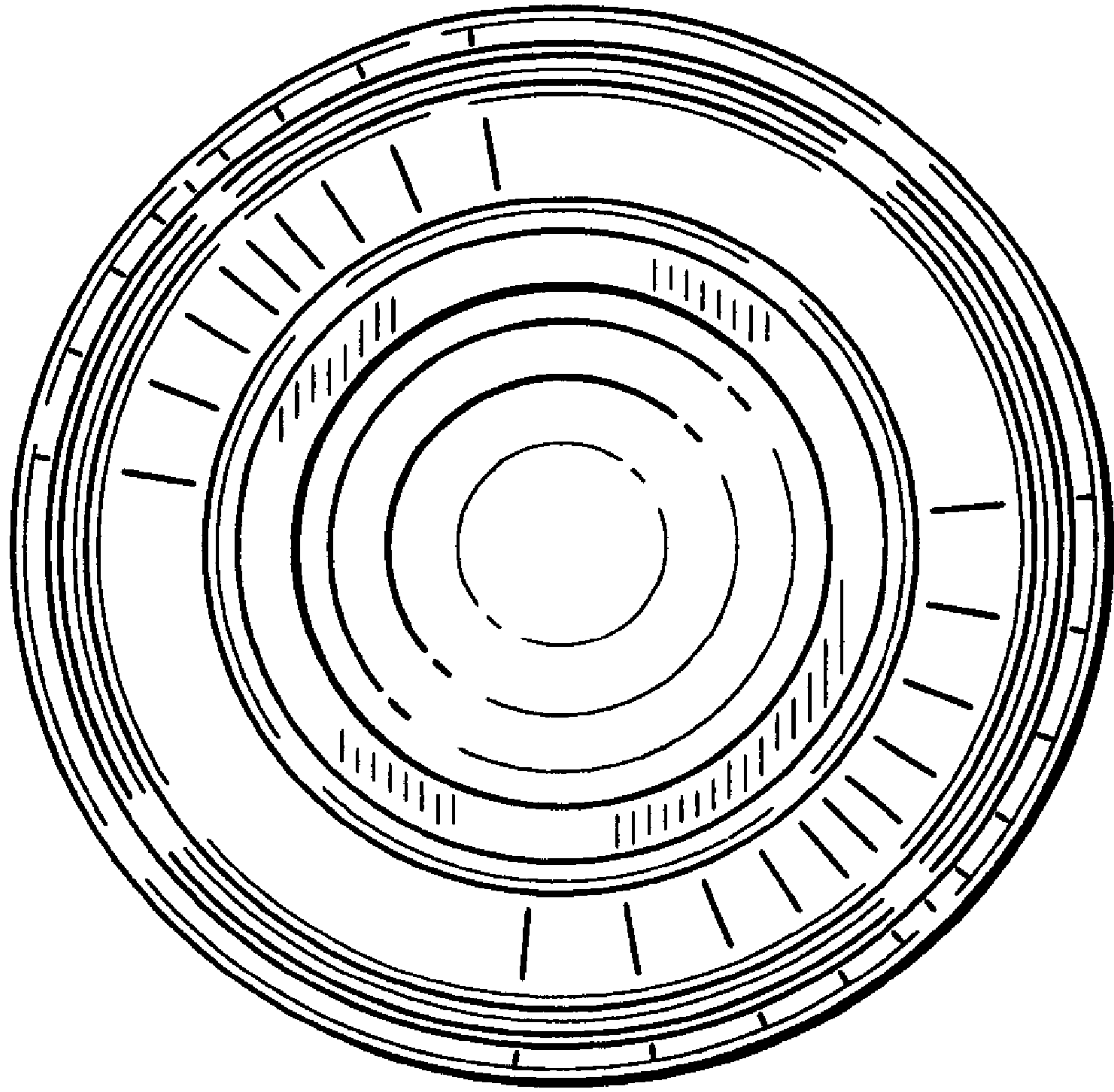


FIG. 1

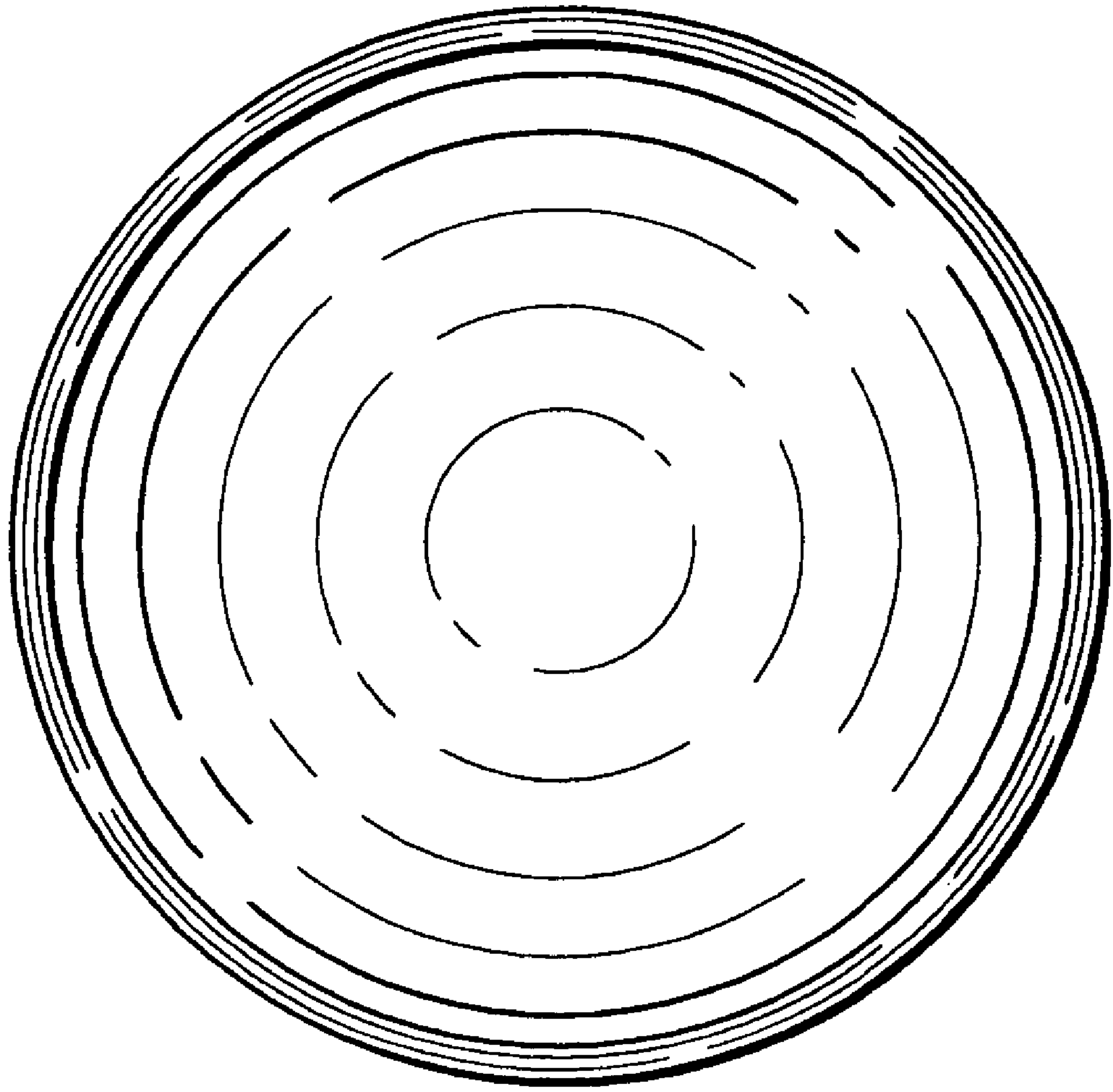


FIG. 2

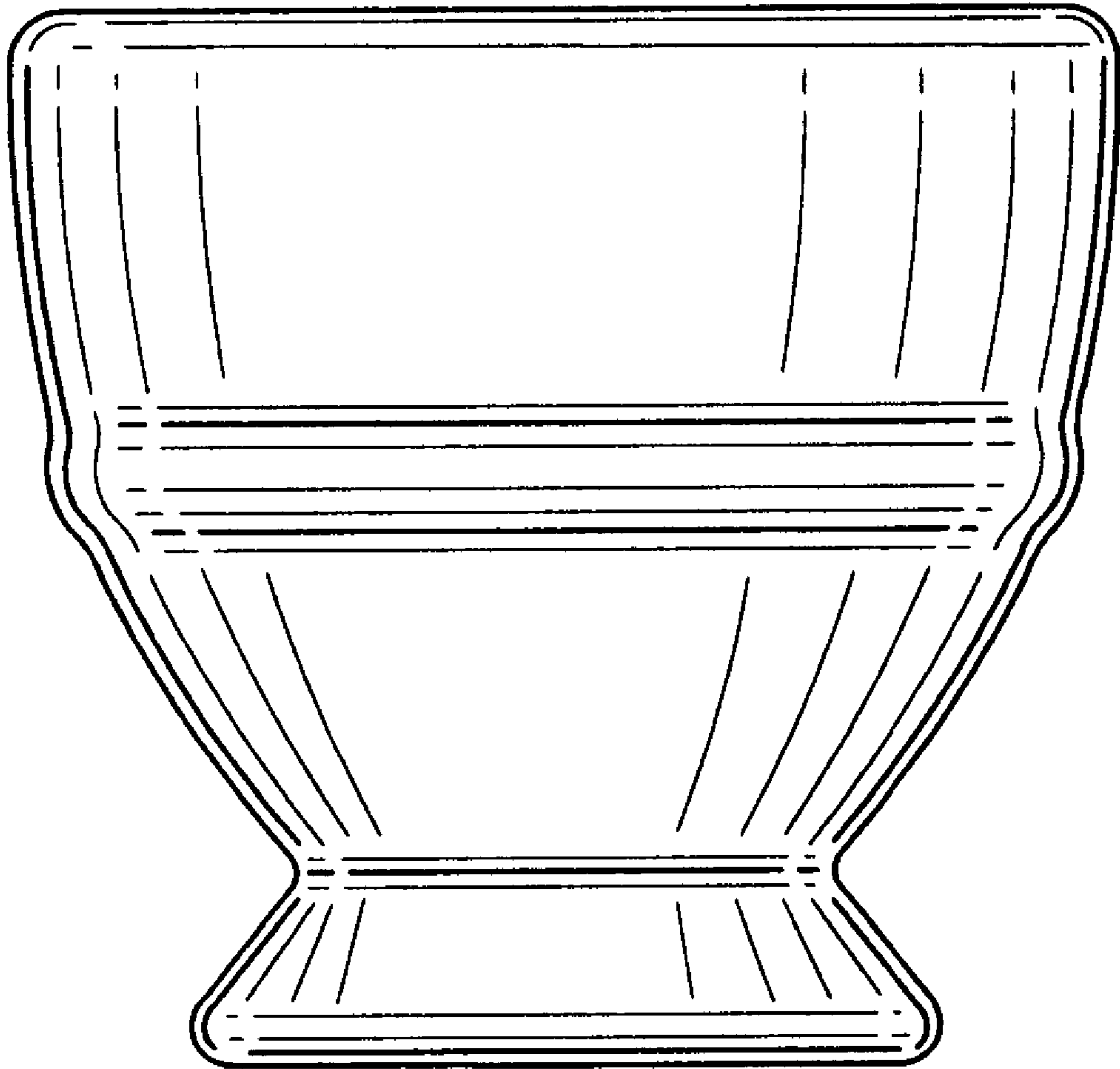


FIG. 3

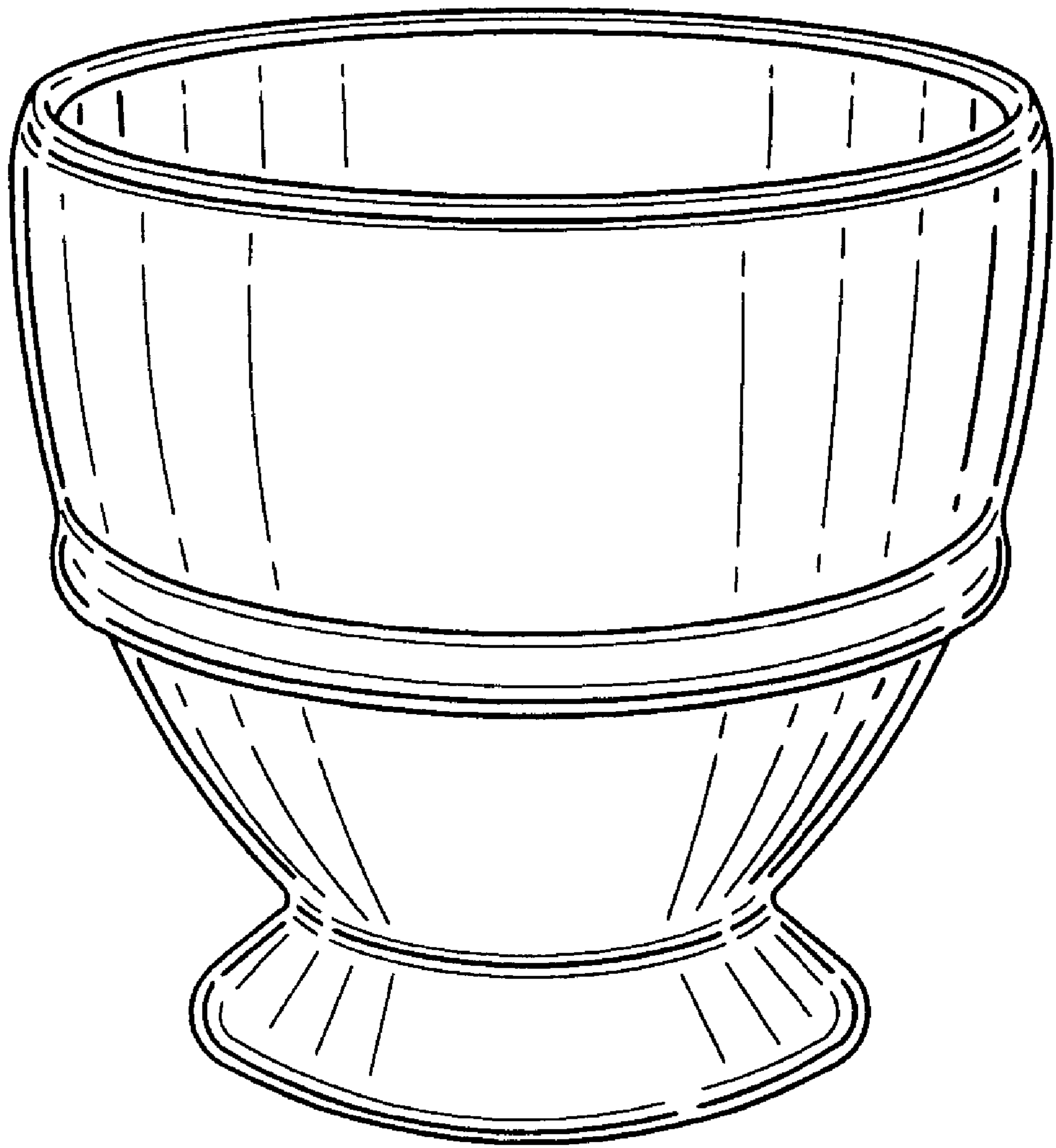


FIG. 4



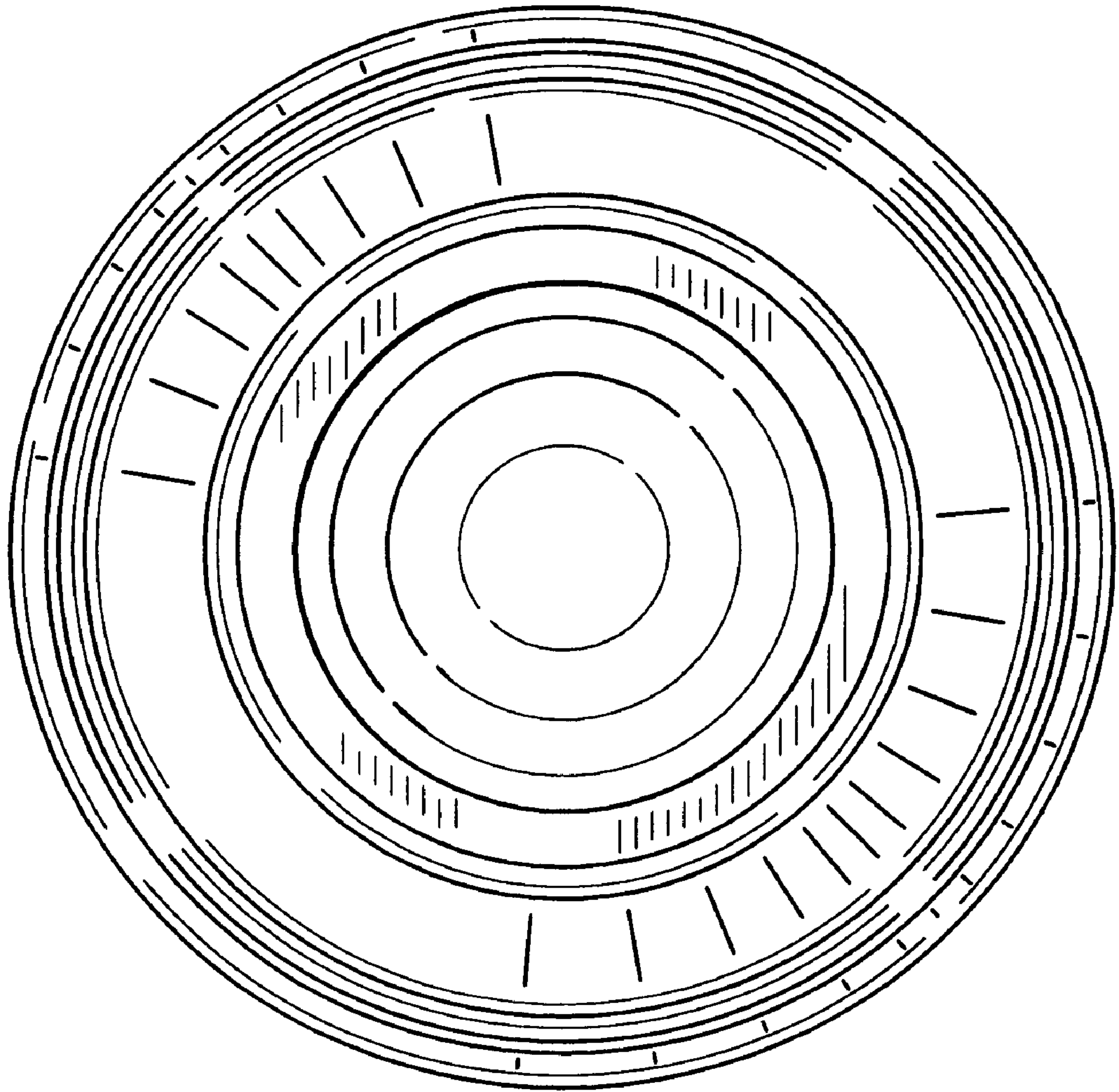


FIG. 5

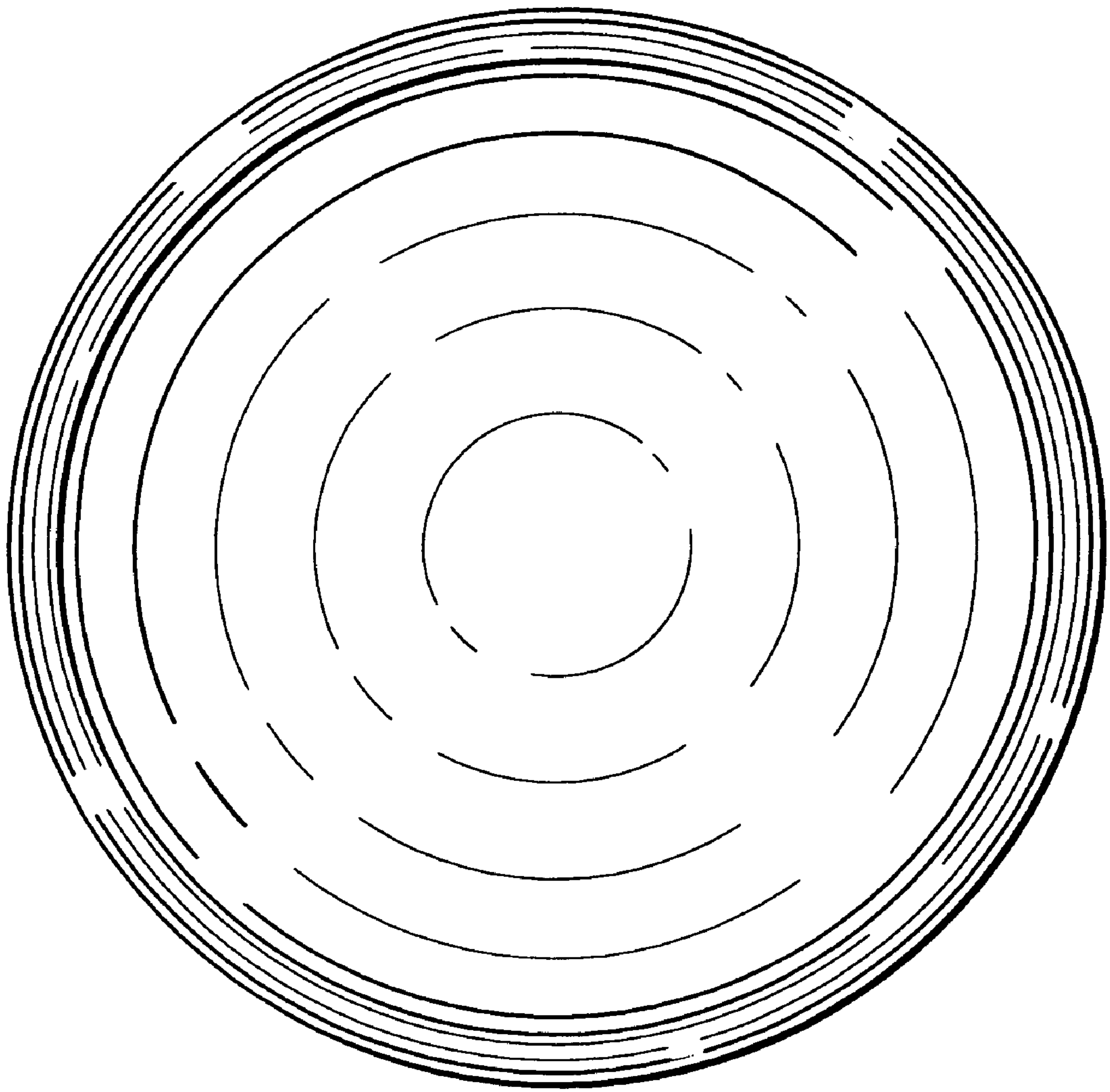


FIG. 6

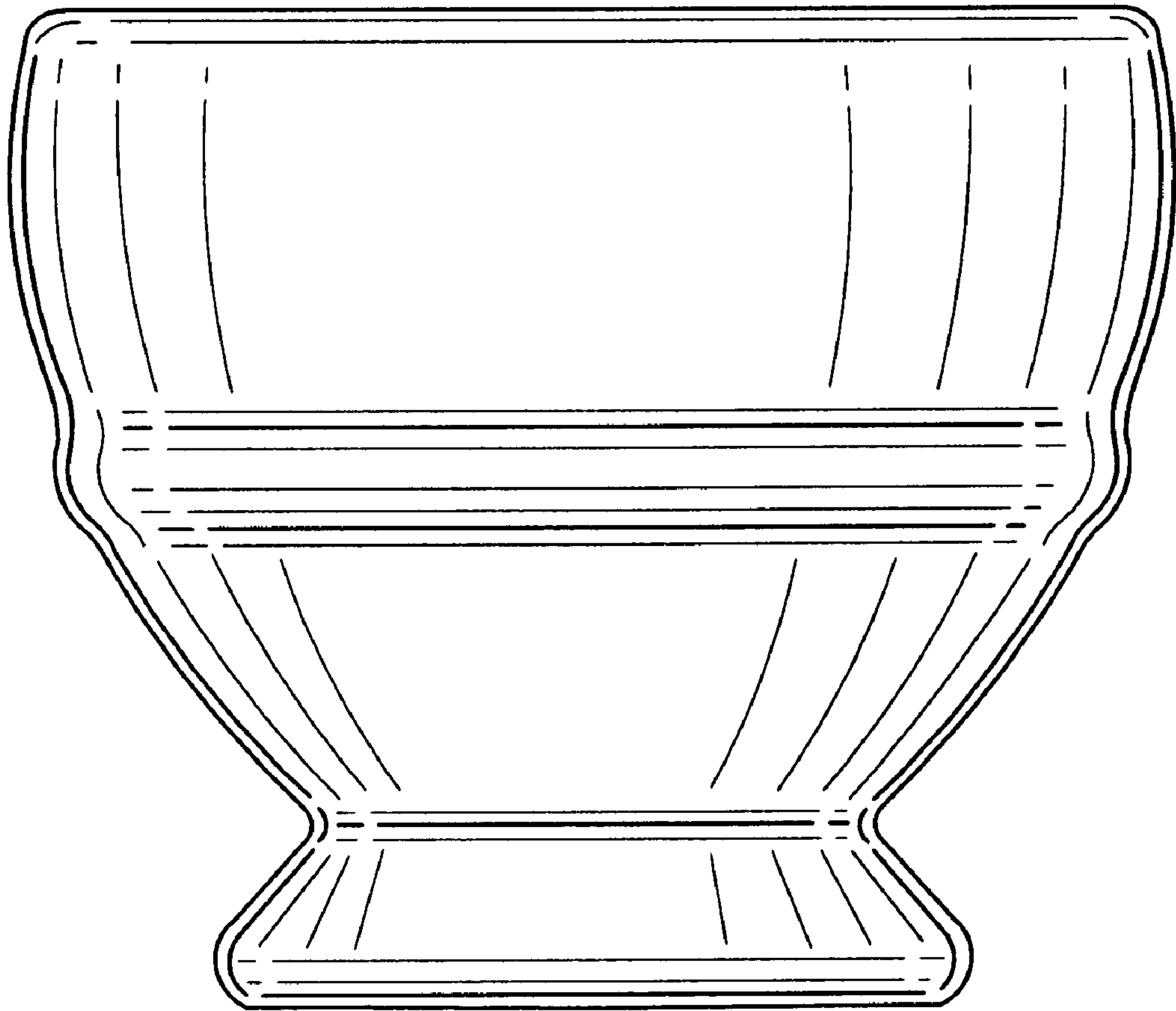


FIG. 7



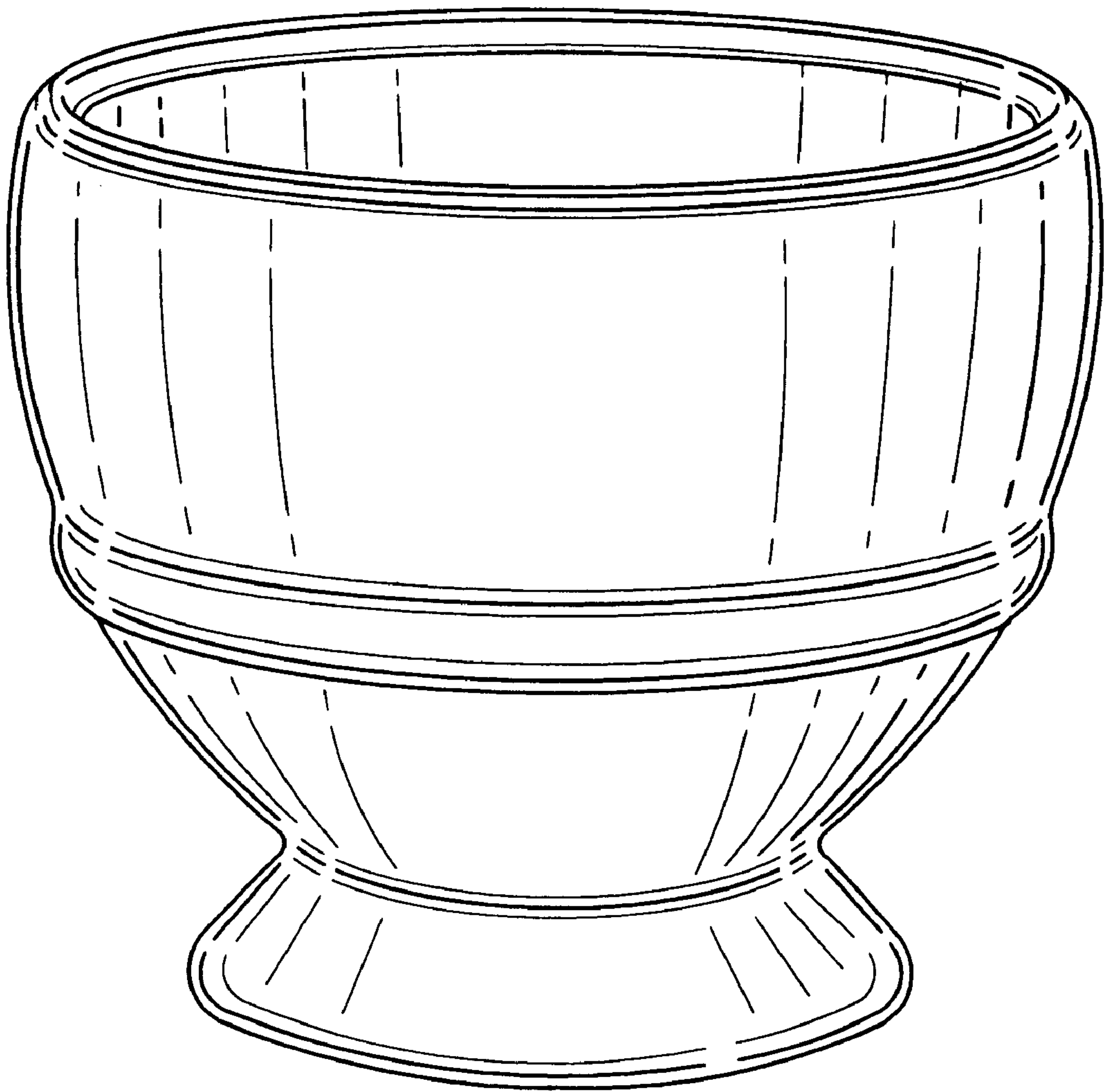


FIG. 8

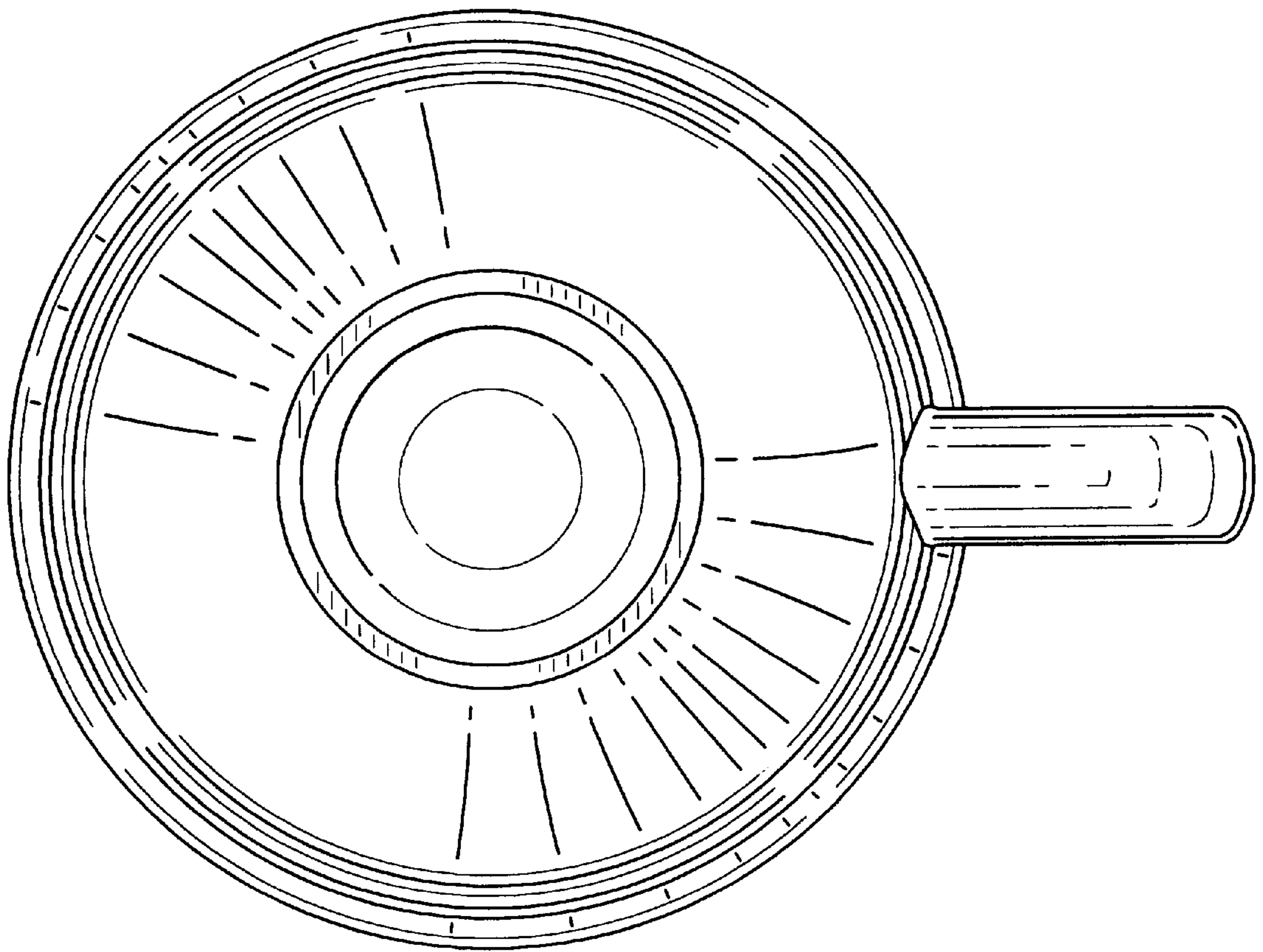


FIG. 9

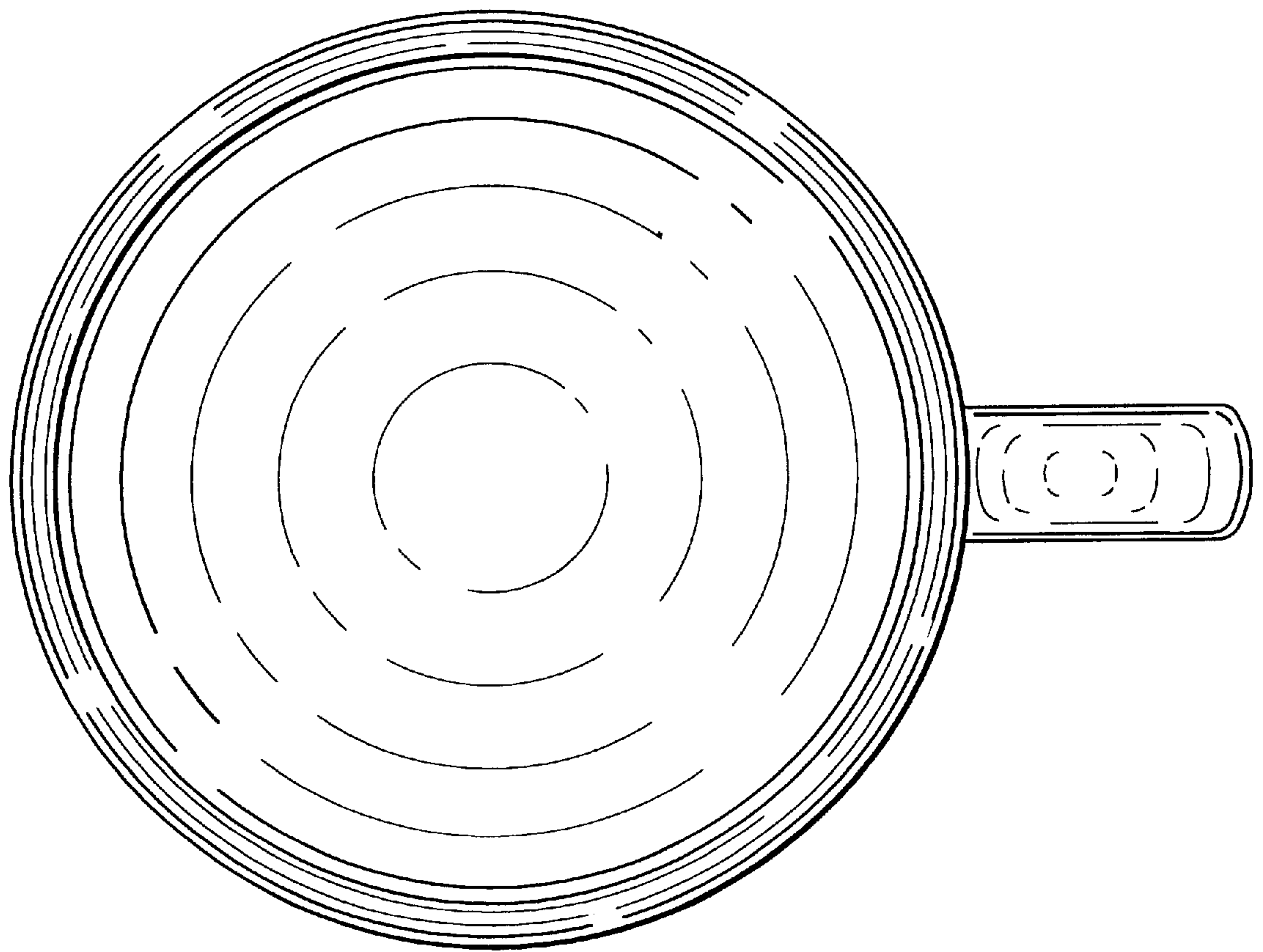


FIG. 10

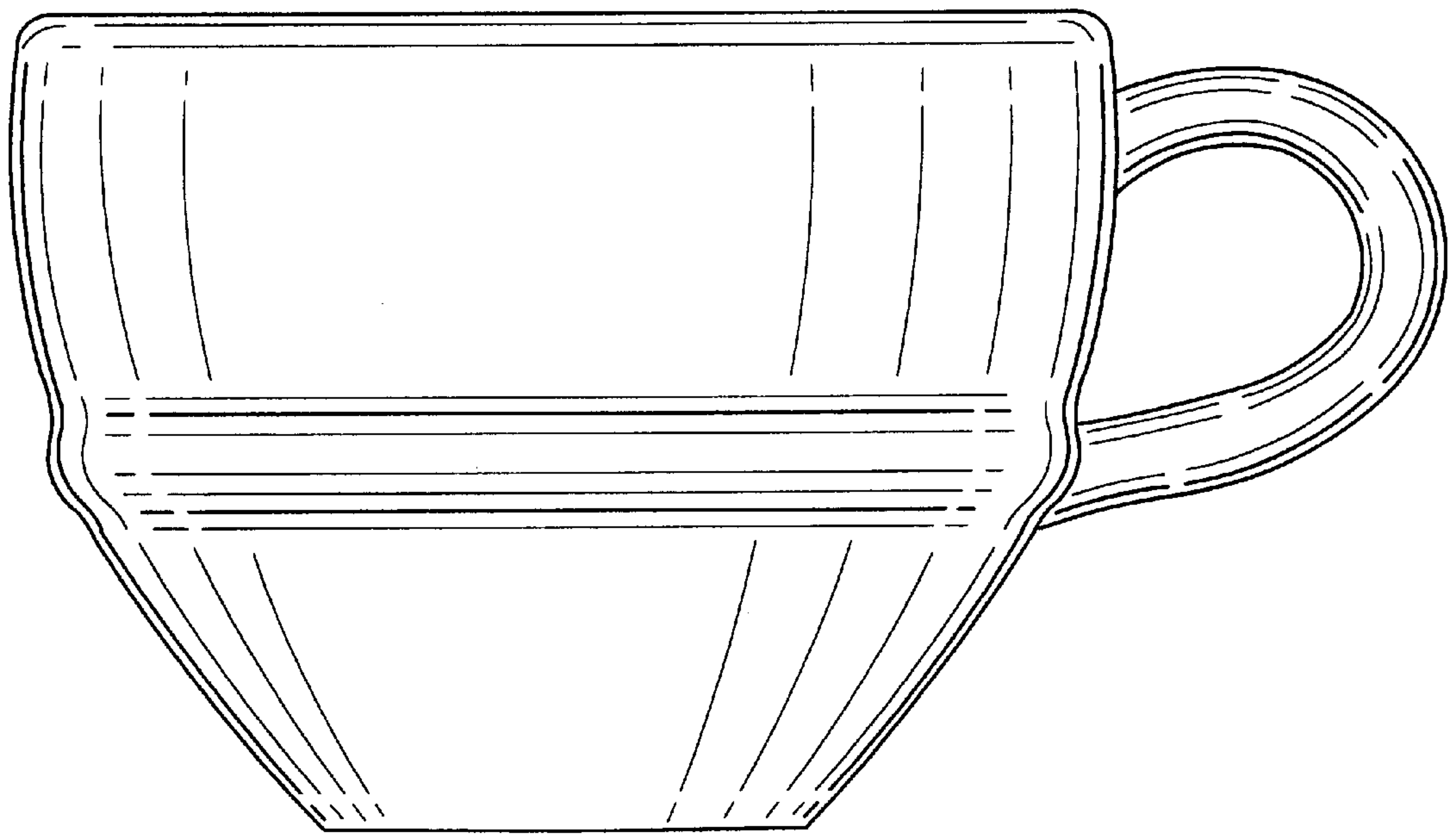


FIG. 11

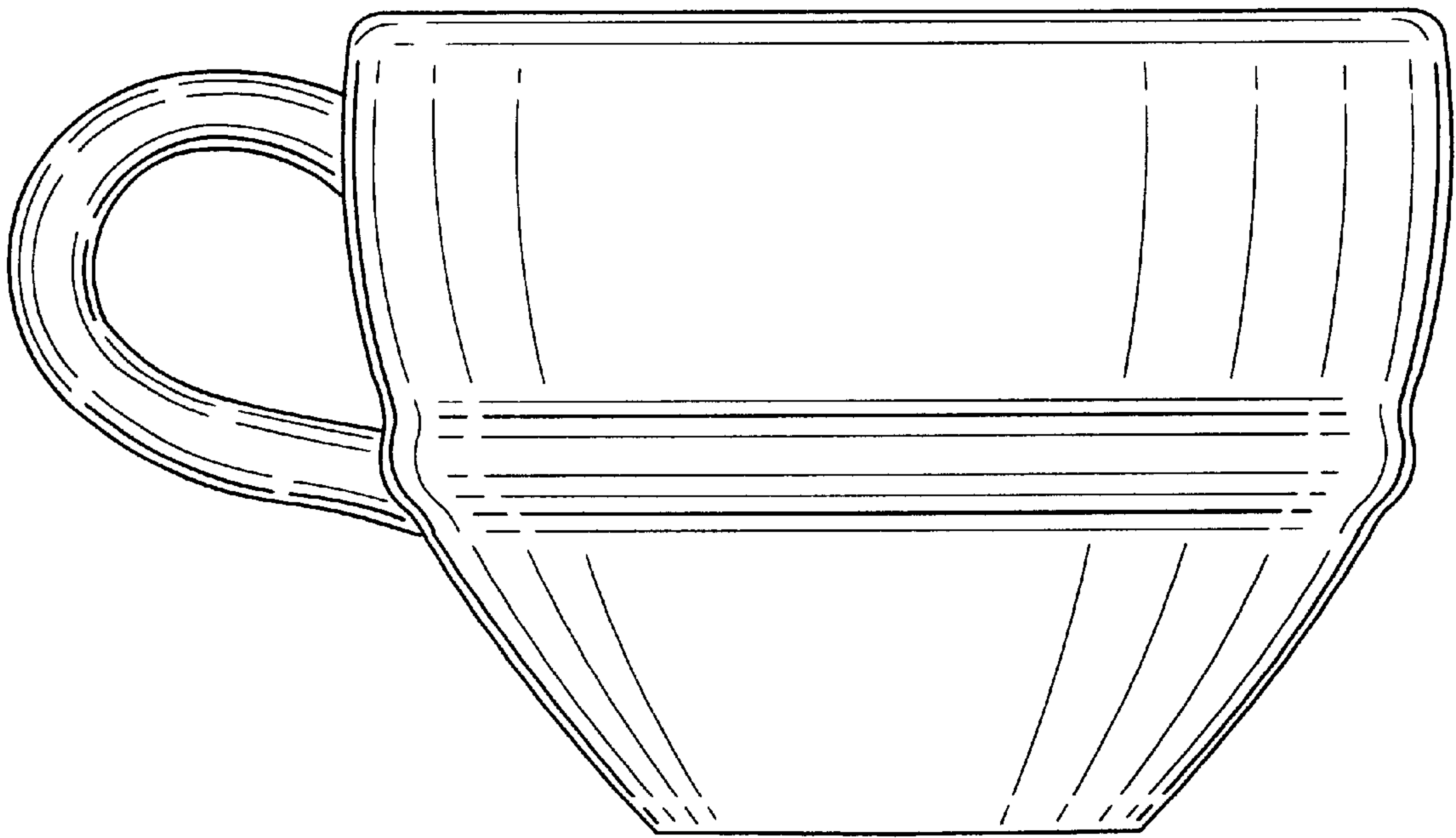


FIG. 12



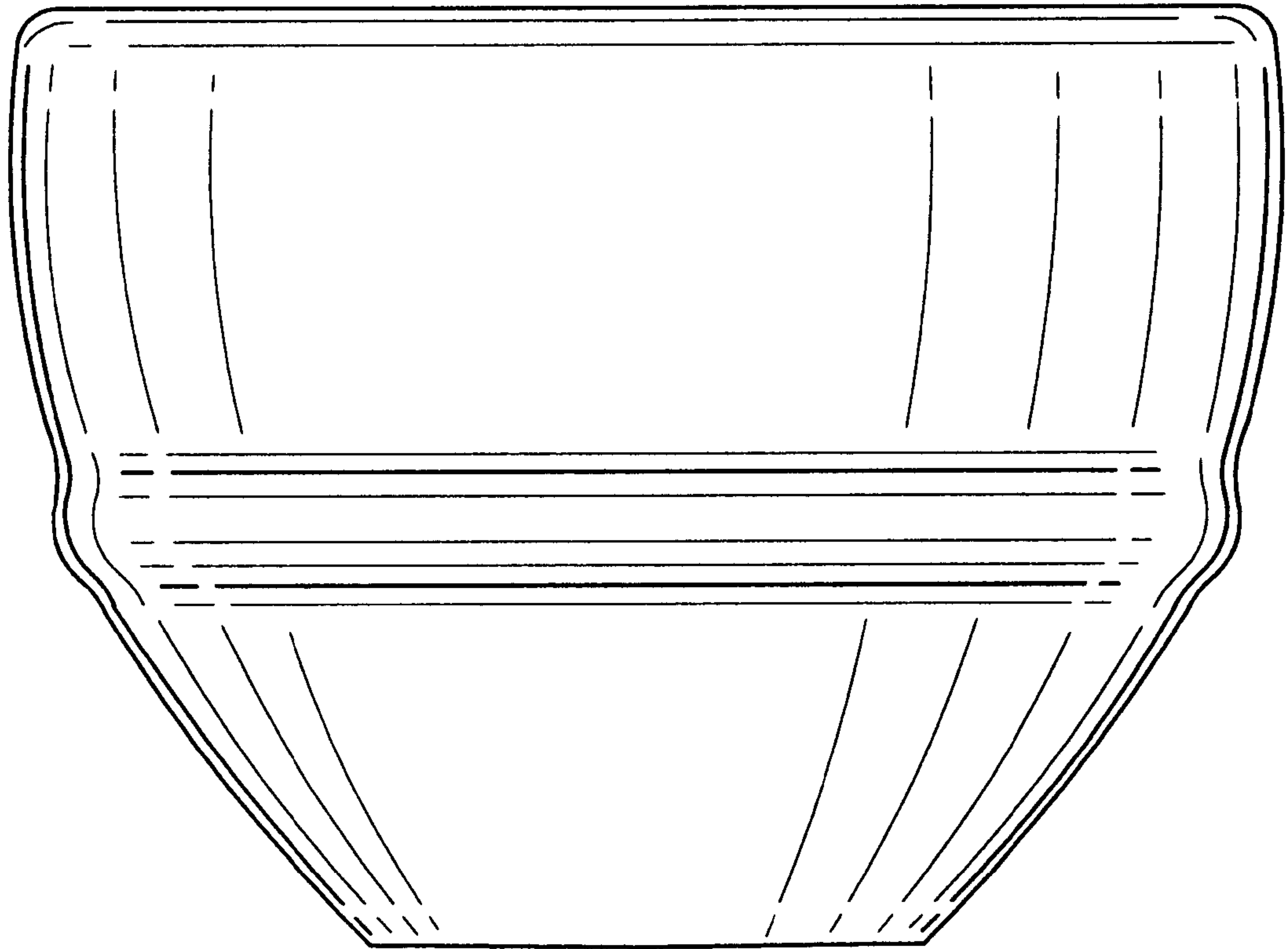


FIG. 13

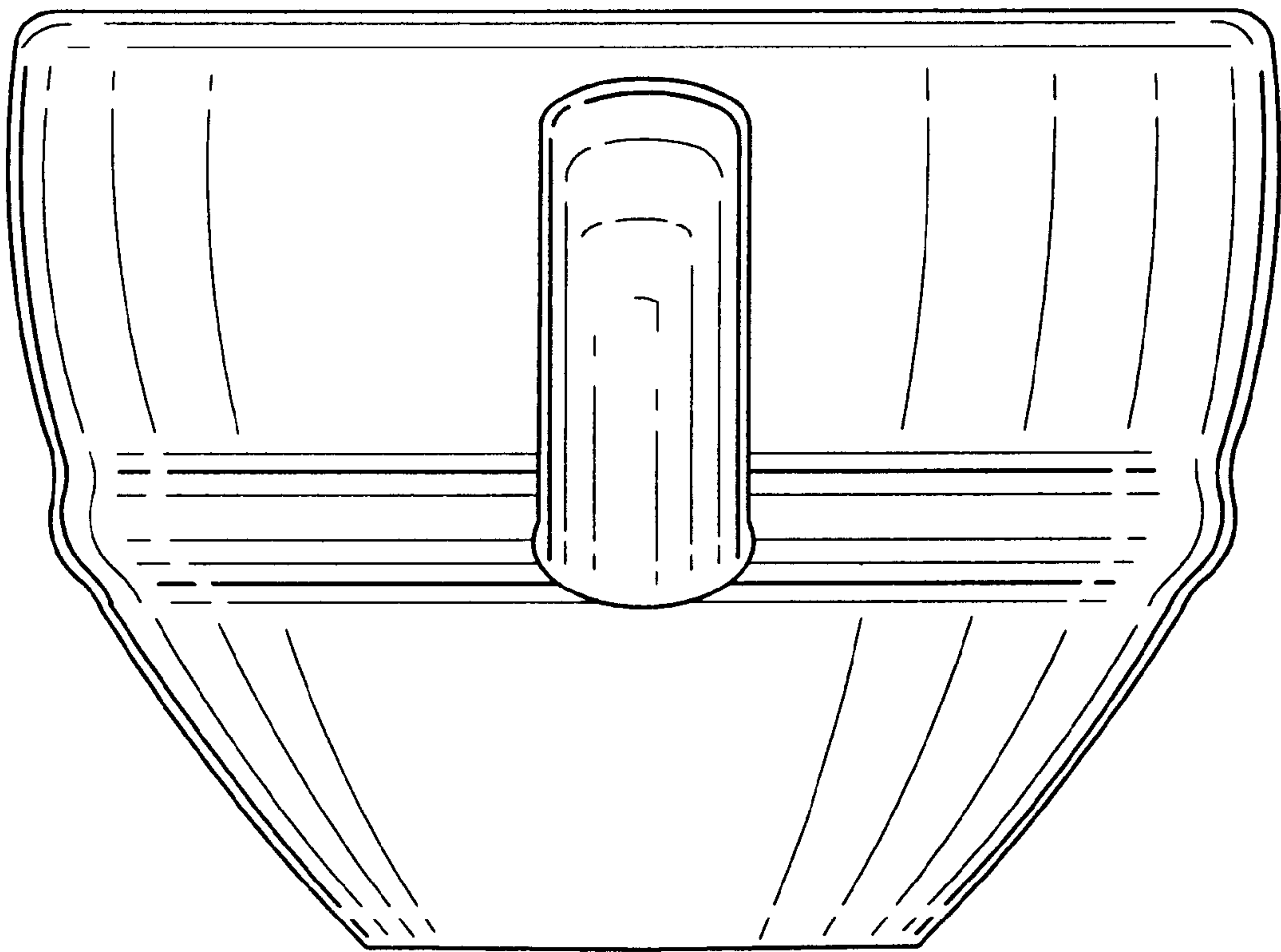


FIG. 14

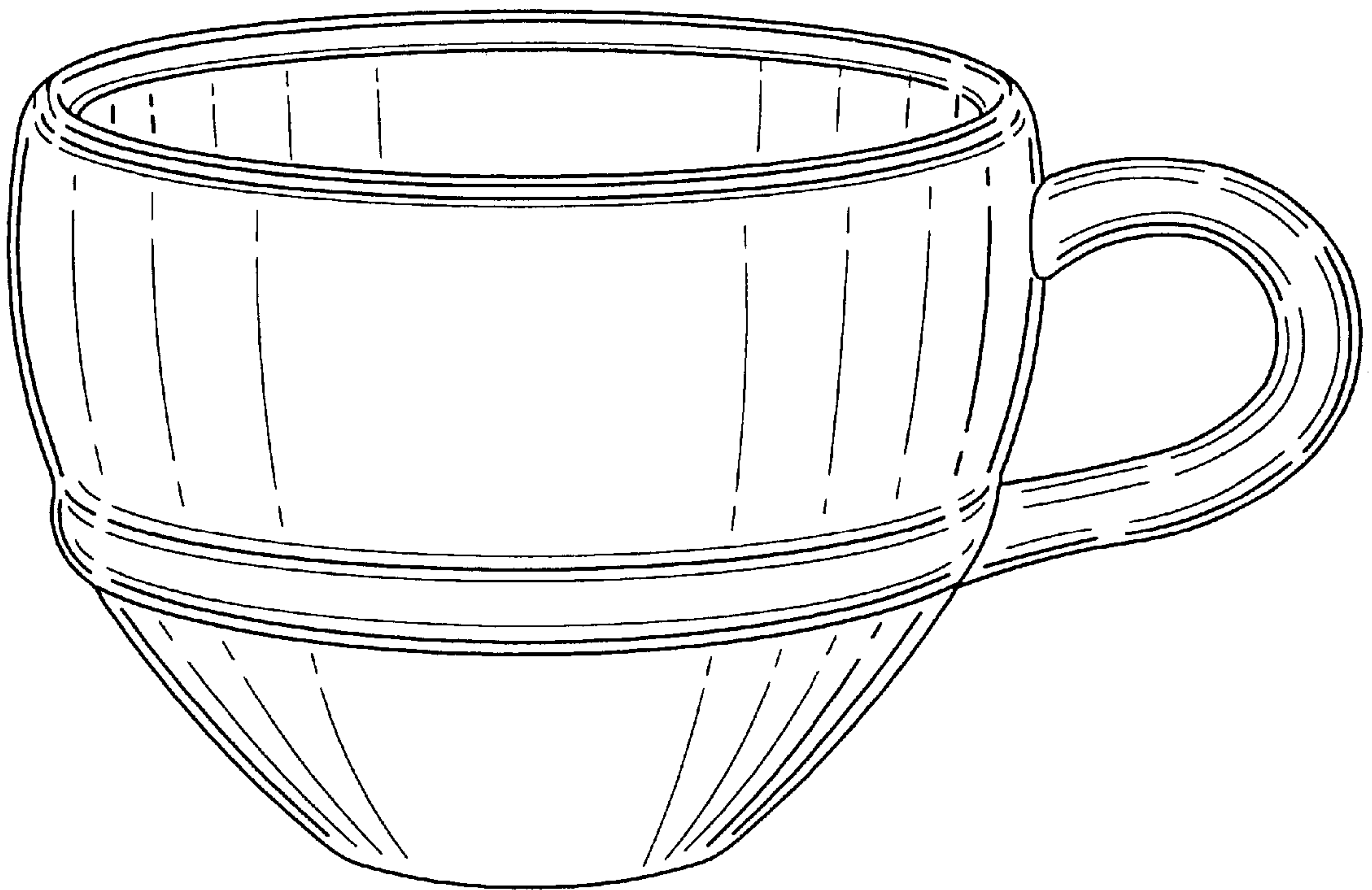


FIG. 15

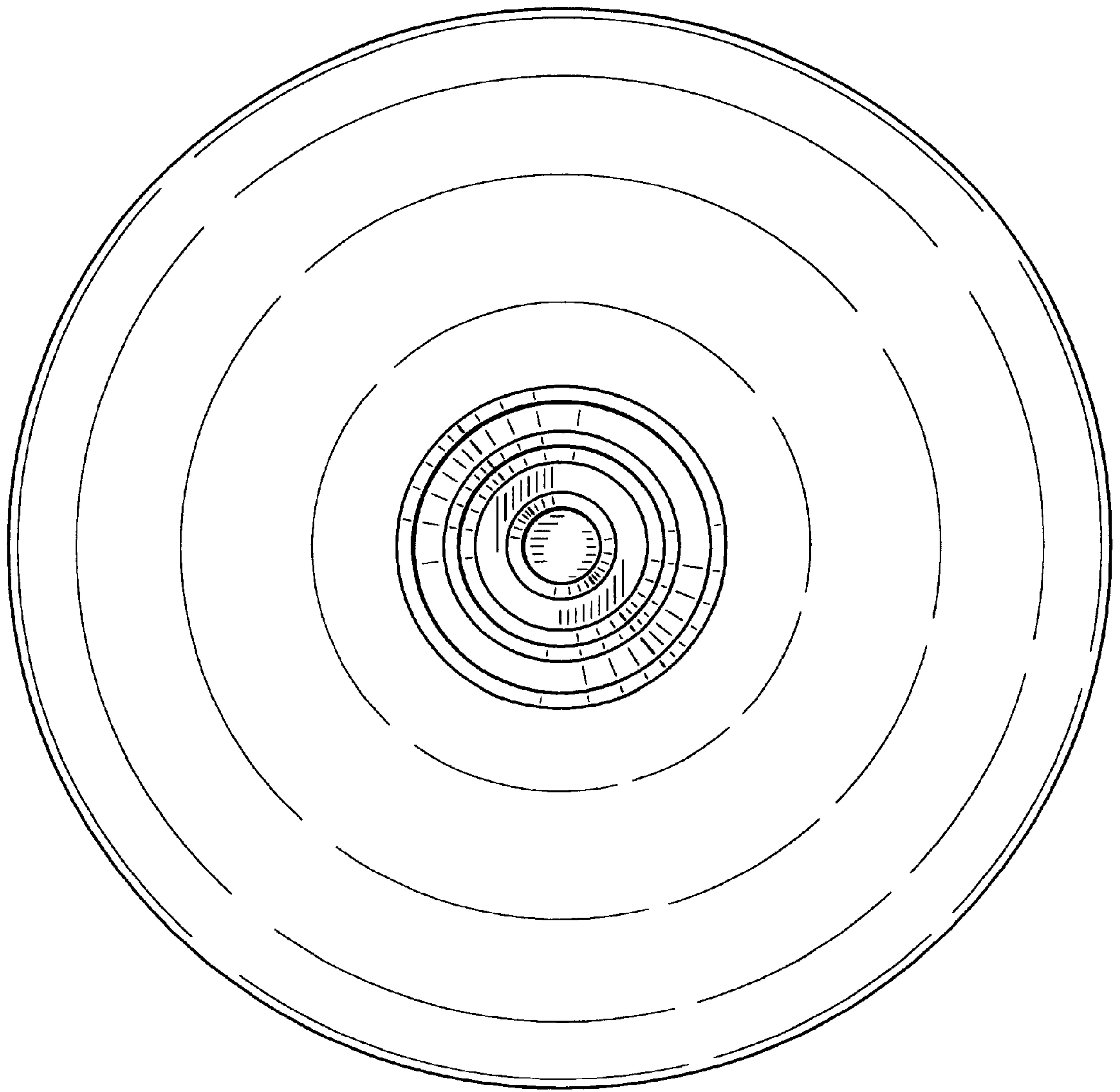


FIG. 16

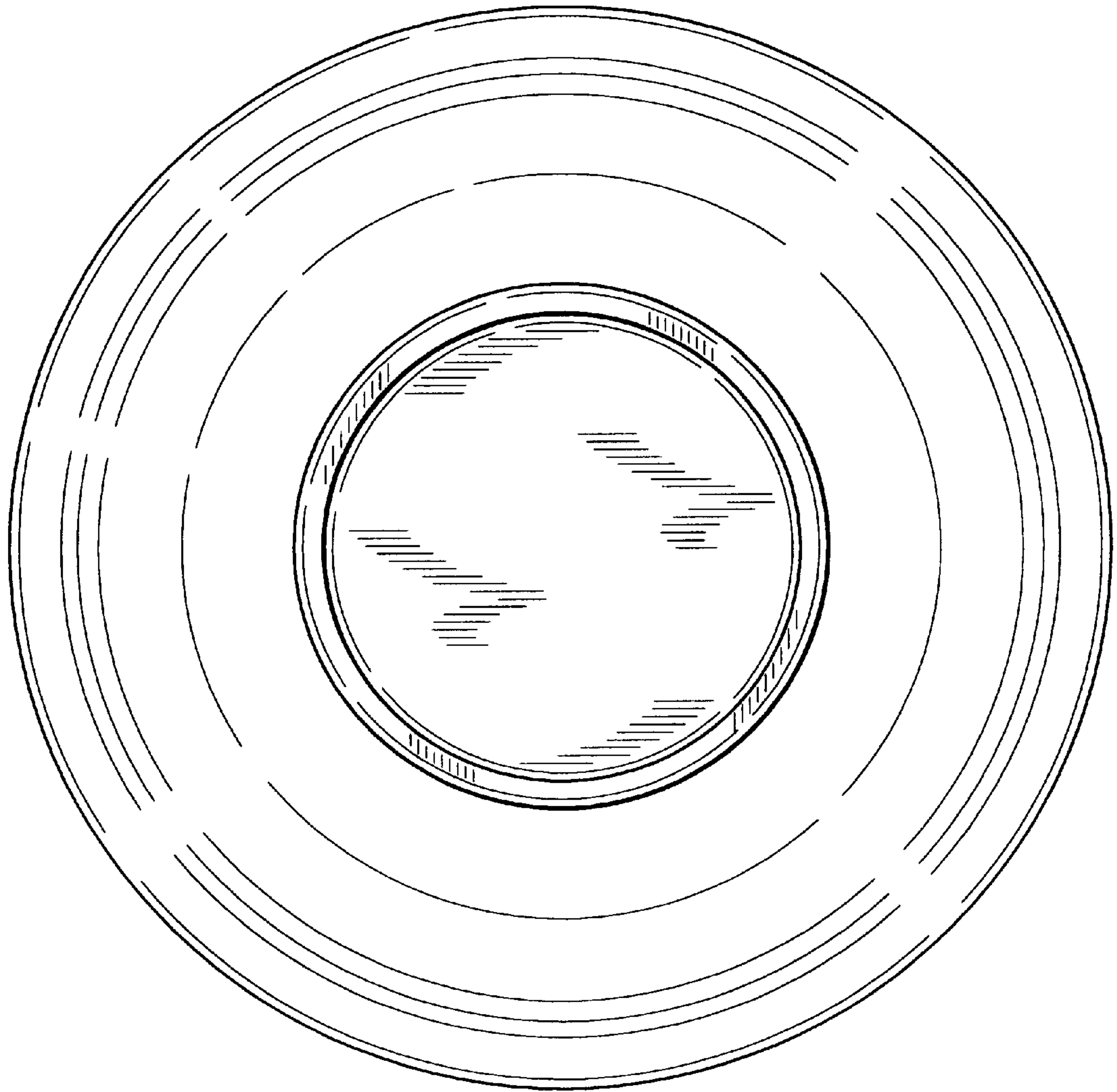


FIG. 17



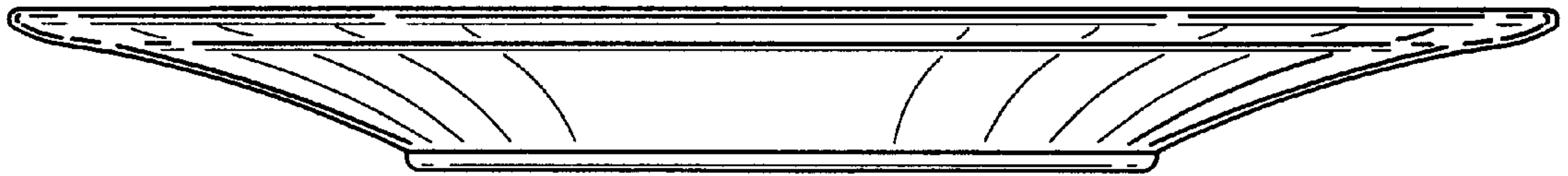


FIG. 18

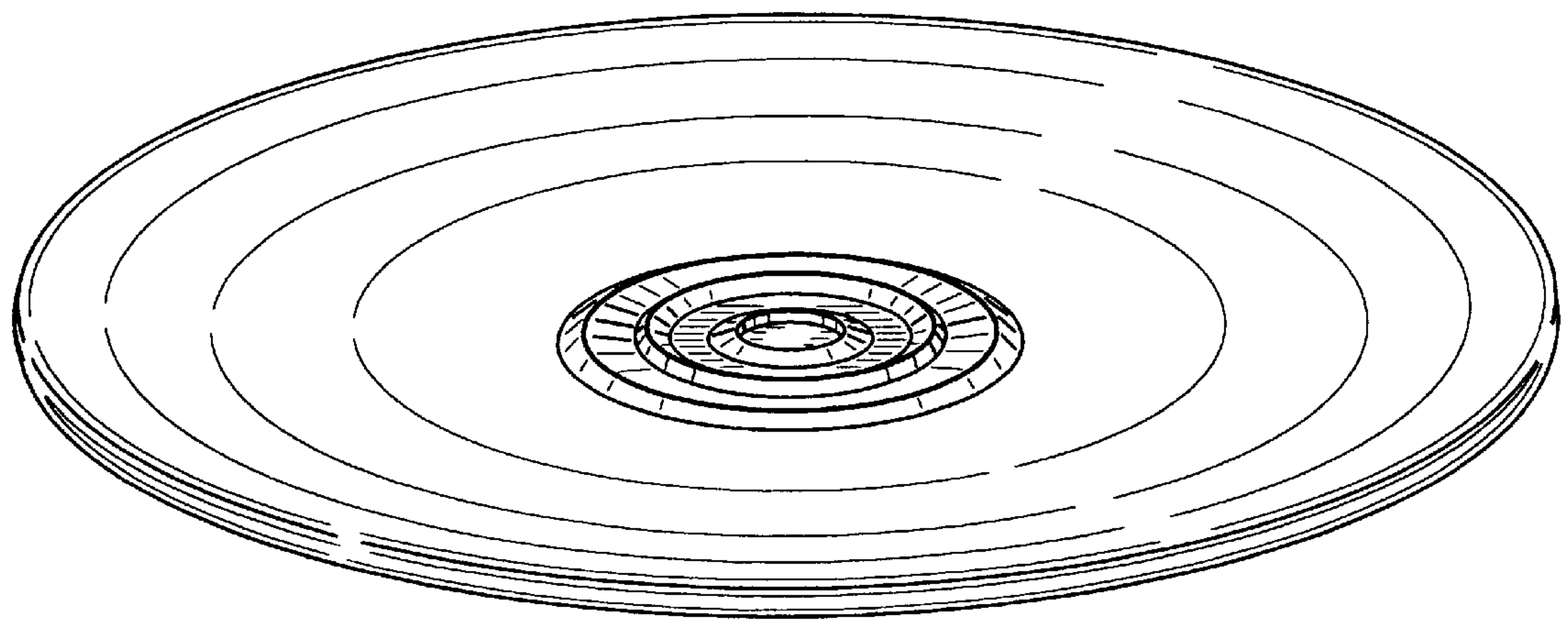


FIG. 19



FIG. 20