



US00D456205S

(12) **United States Design Patent**  
**Fromm**

(10) **Patent No.:** **US D456,205 S**

(45) **Date of Patent:** **\*\* Apr. 30, 2002**

(54) **MILK FROTHING APPLIANCE**

(76) Inventor: **Wayne G. Fromm**, 4 Glenarden Cres.,  
Richmond Hill, Ontario (CA), L4B 2G2

(\*\*) Term: **14 Years**

(21) Appl. No.: **29/122,027**

(22) Filed: **Apr. 18, 2000**

(51) **LOC (7) Cl.** ..... **31-00**

(52) **U.S. Cl.** ..... **D7/376**

(58) **Field of Search** ..... D7/376-386, 414,  
D7/317; 366/130, 260; 222/547; 426/474

(56) **References Cited**

**U.S. PATENT DOCUMENTS**

85,187 A	12/1868	Sweeney	
586,470 A	* 7/1897	Widder	366/260
993,130 A	5/1911	Walters	
1,590,831 A	6/1926	Jones	
1,604,513 A	* 10/1926	Hoffer	366/260
2,291,708 A	8/1942	Gluck	
2,481,352 A	* 9/1949	Sabatella	366/260
D167,259 S	* 7/1952	Fox	D7/376
D181,143 S	10/1957	Gundelfinger	D7/376
3,589,685 A	6/1971	Gradishar	
3,820,692 A	* 6/1974	Swett et al.	222/547
4,737,036 A	4/1988	Offermann	366/130
4,946,286 A	8/1990	Purkapile	366/247
D319,556 S	* 9/1991	Purkapile	D7/414
D321,301 S	* 11/1991	Purkapile	D7/376
D382,764 S	* 8/1997	Brady	D7/317

5,780,087 A	* 7/1998	Brady	426/474
D405,642 S	2/1999	Toriba	D7/319
5,939,122 A	8/1999	Brady	426/474
D426,742 S	* 6/2000	Gartz et al.	D7/376

\* cited by examiner

*Primary Examiner*—Caron D. Veynar

(74) *Attorney, Agent, or Firm*—John C. Thompson

(57) **CLAIM**

The ornamental design for a milk frothing appliance, as shown.

**DESCRIPTION**

FIG. 1 is a front elevation view of a milk frothing appliance showing my new design;

FIG. 2 is a rear elevation view thereof;

FIG. 3 is a left side elevation view thereof;

FIG. 4 is a right side elevation view thereof;

FIG. 5 is a top plan view thereof;

FIG. 6 is a bottom plan view thereof;

FIG. 7 is a front elevation view showing a second embodiment of my new design;

FIG. 8 is a rear elevation view thereof;

FIG. 9 is a left side elevation view thereof;

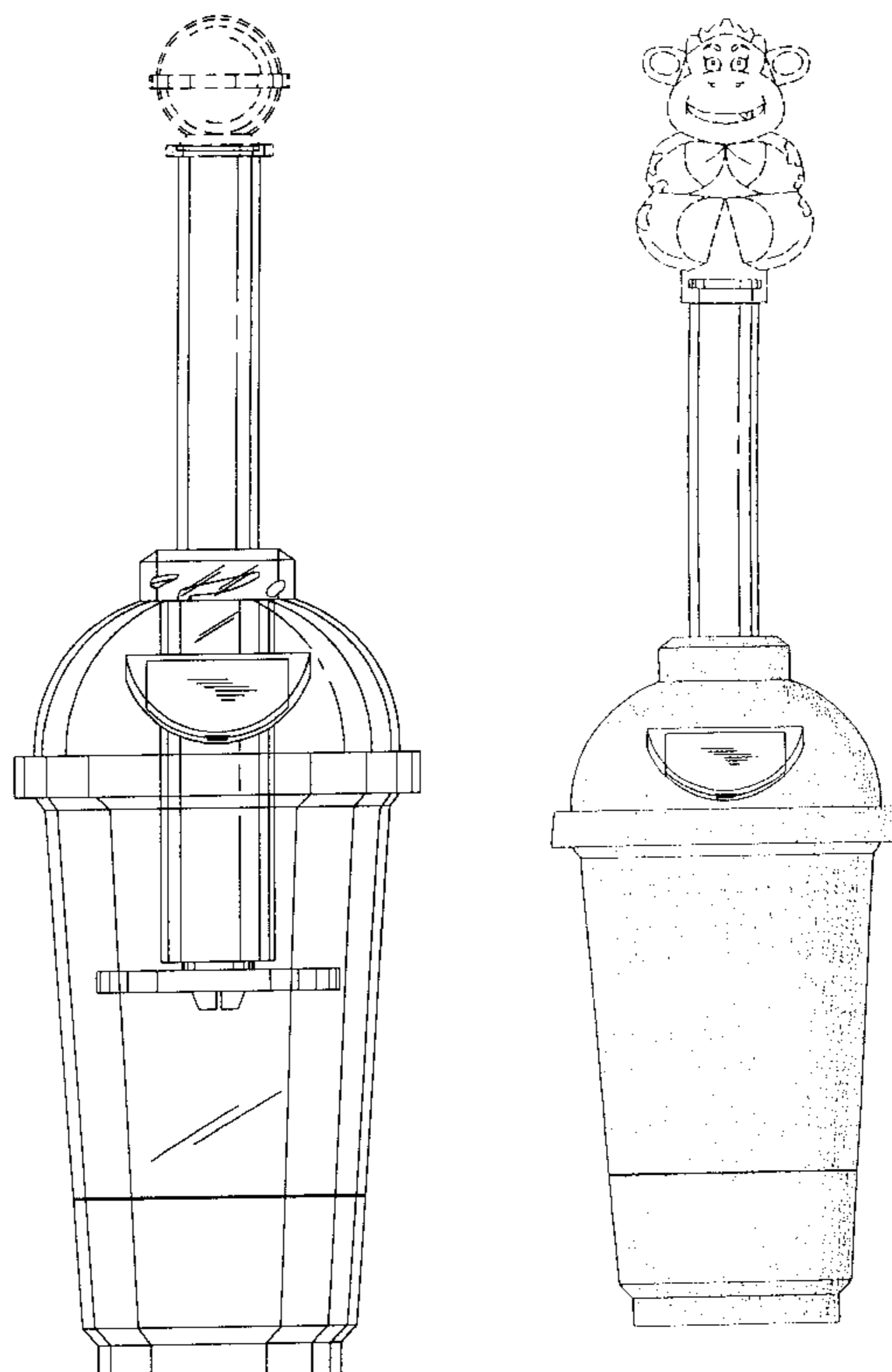
FIG. 10 is a right side elevation view thereof;

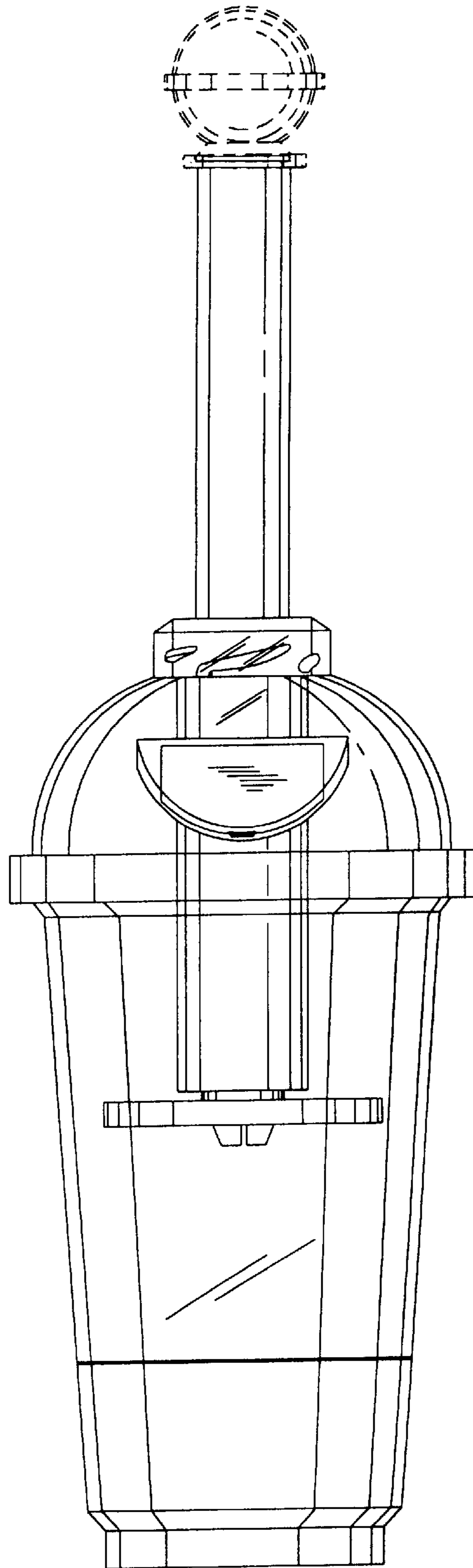
FIG. 11 is a top plan view thereof; and,

FIG. 12 is a bottom plan view thereof.

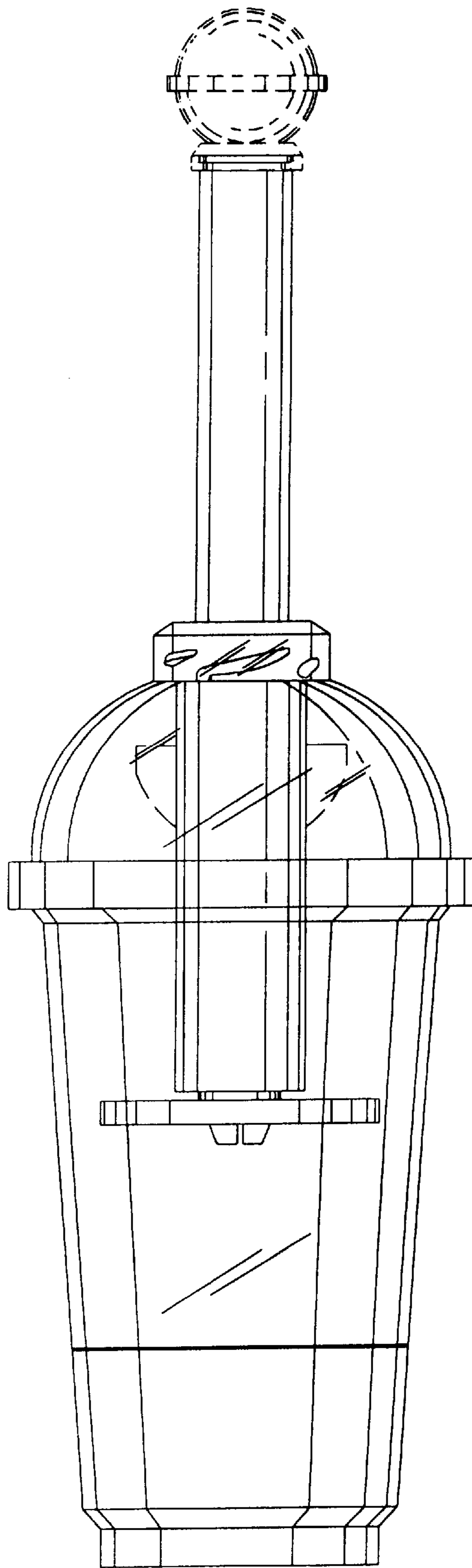
The broken lines shown on FIGS. 1-5 and 7-11 are for illustrative purposes only and form no part of the claimed design.

**1 Claim, 10 Drawing Sheets**

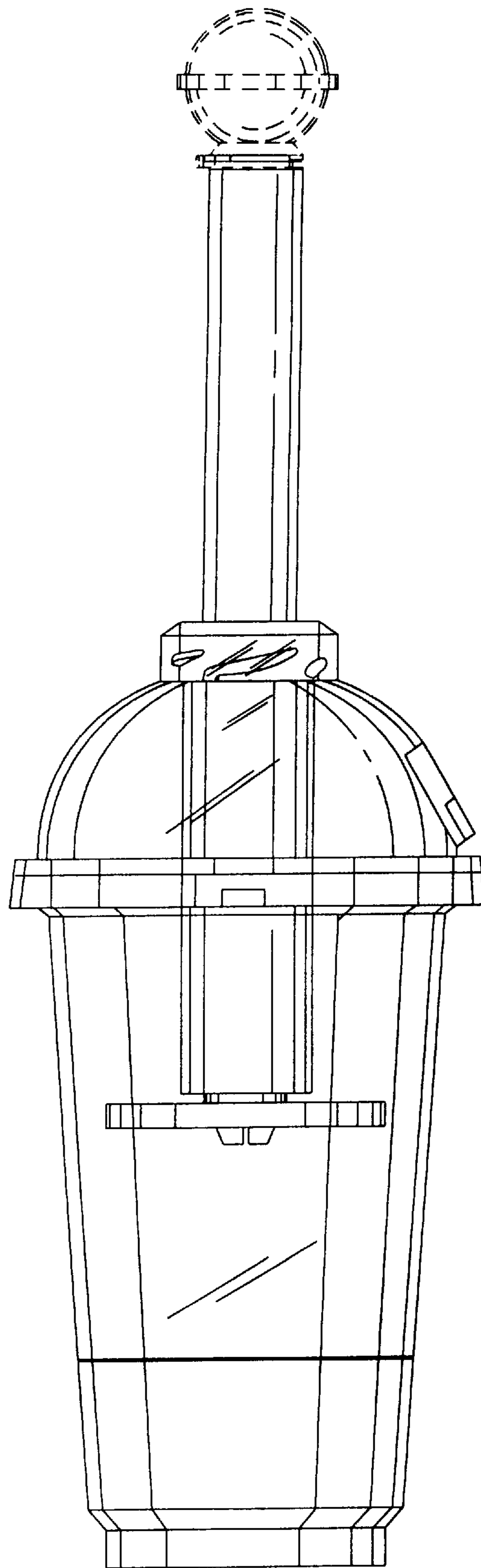




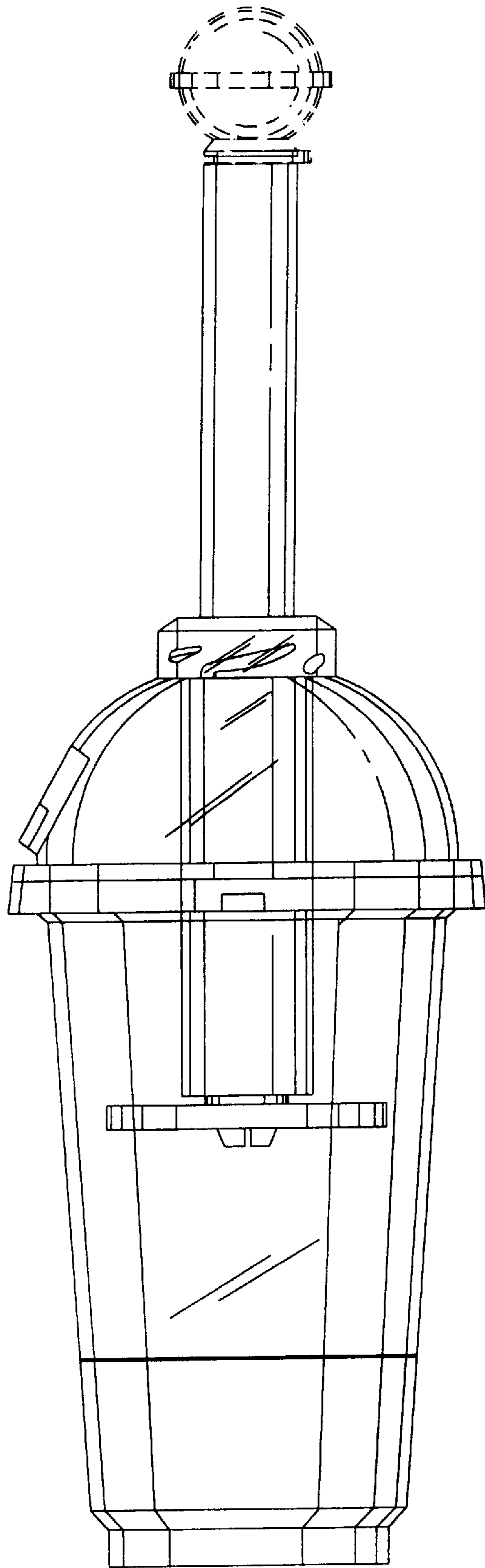
**FIG. 1**



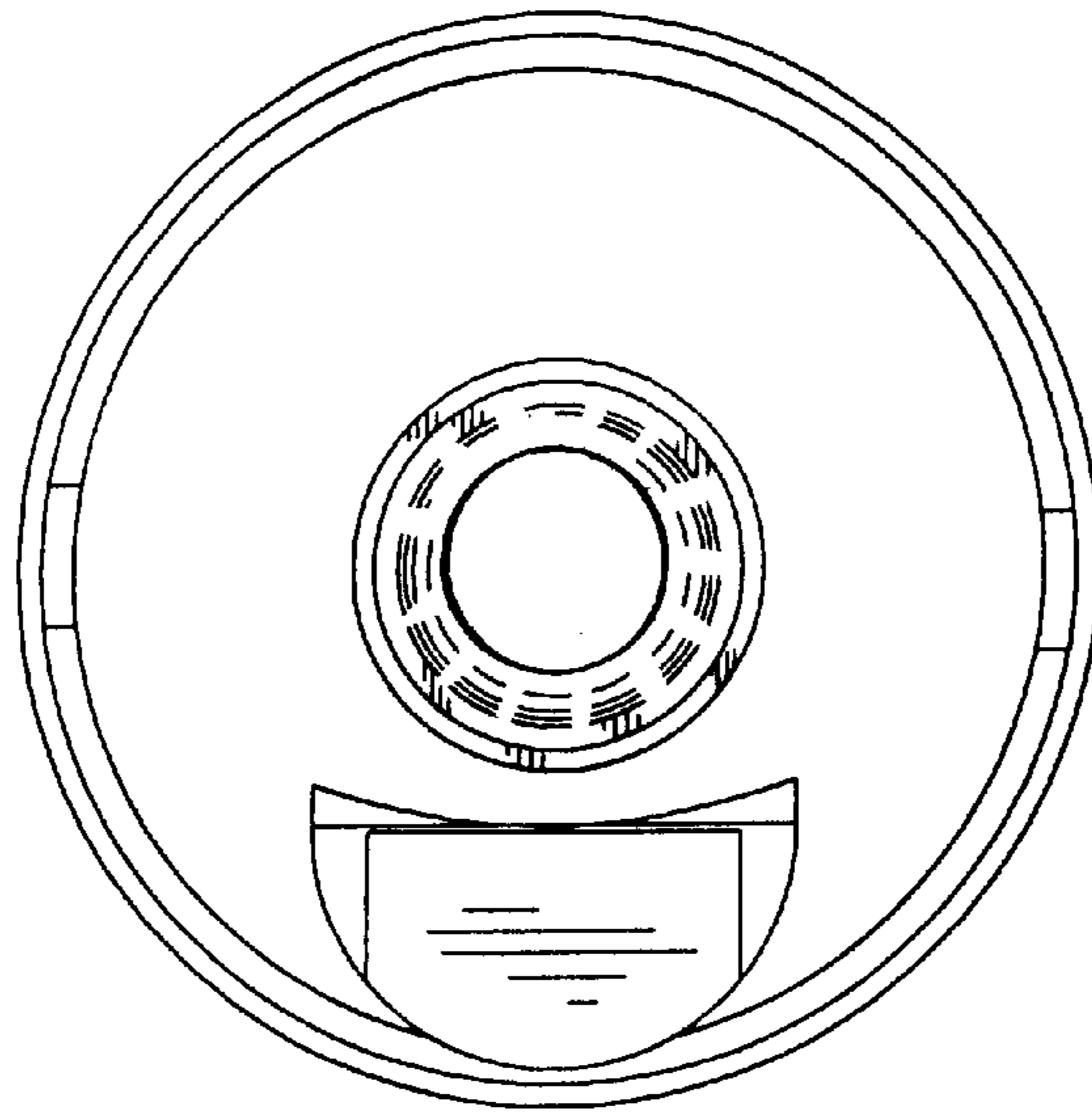
**FIG. 2**



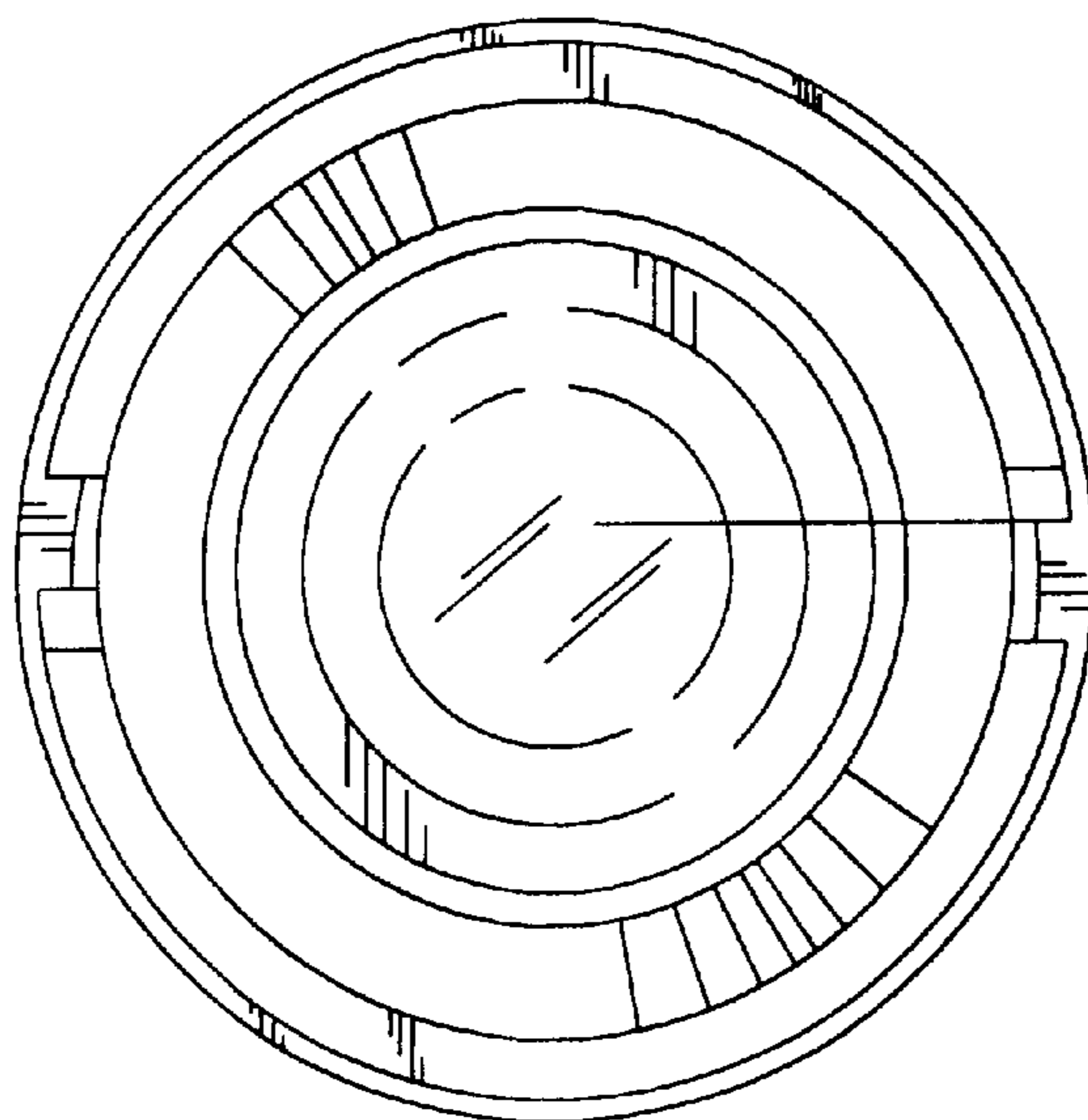
**FIG. 3**



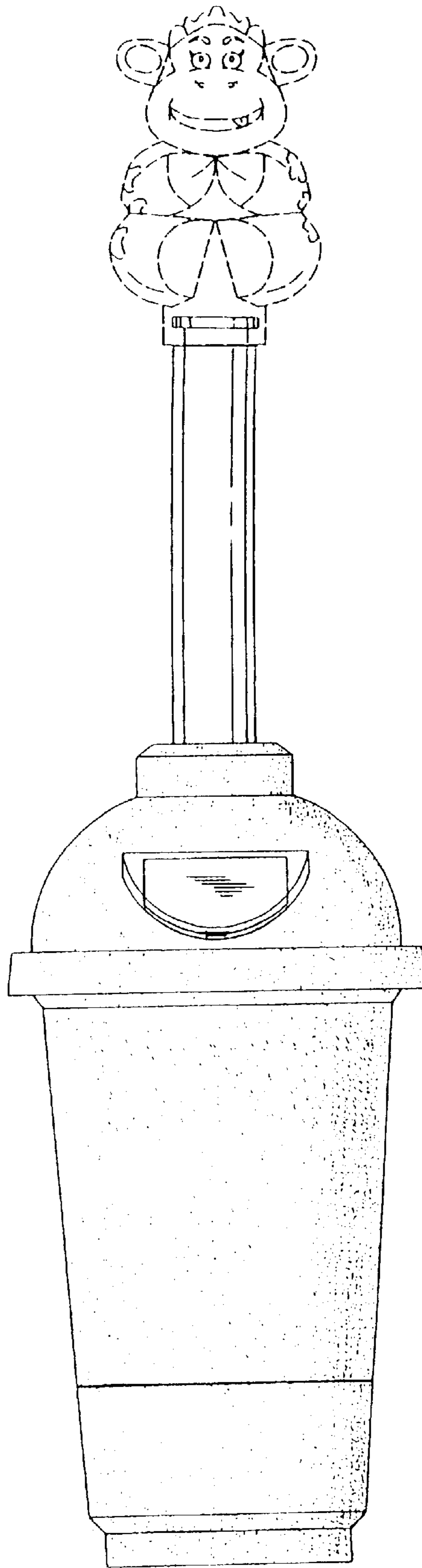
**FIG. 4**



**FIG. 5**

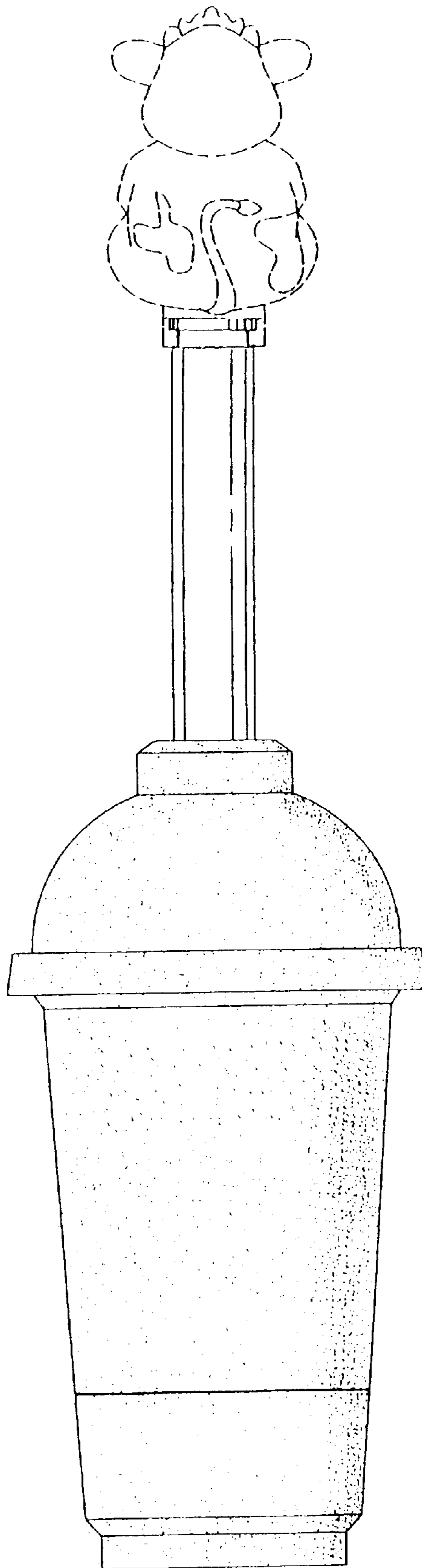


**FIG. 6**



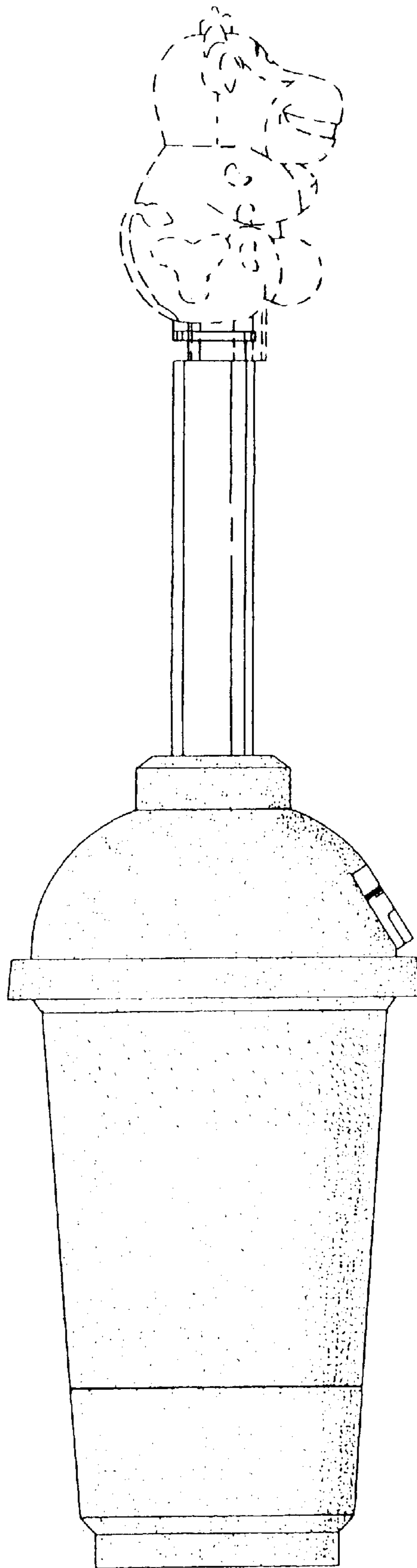
**FIG. 7**



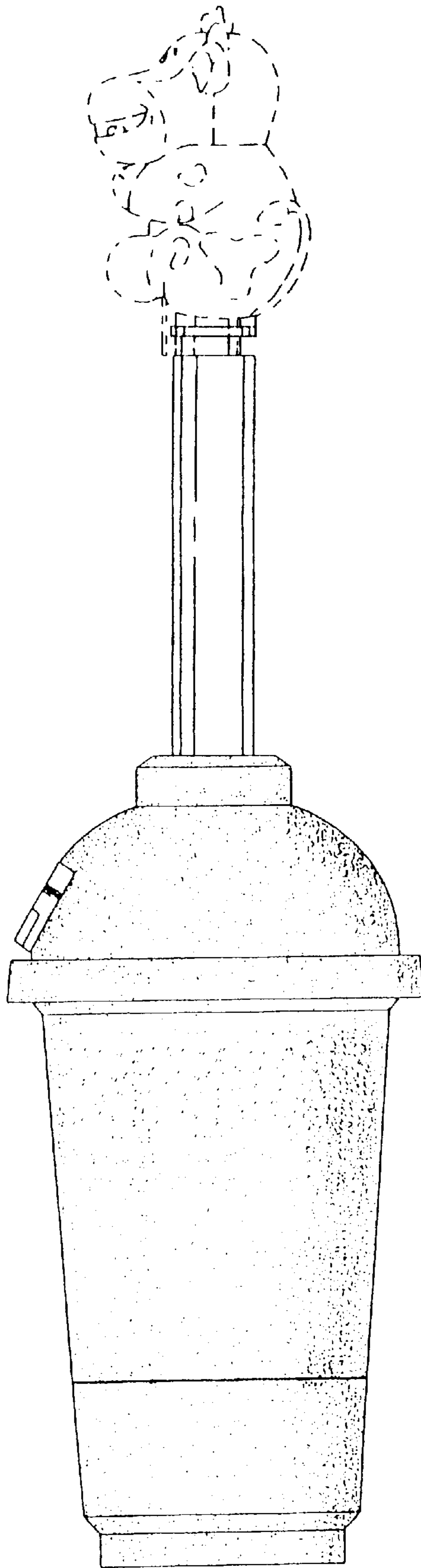


**FIG. 8**

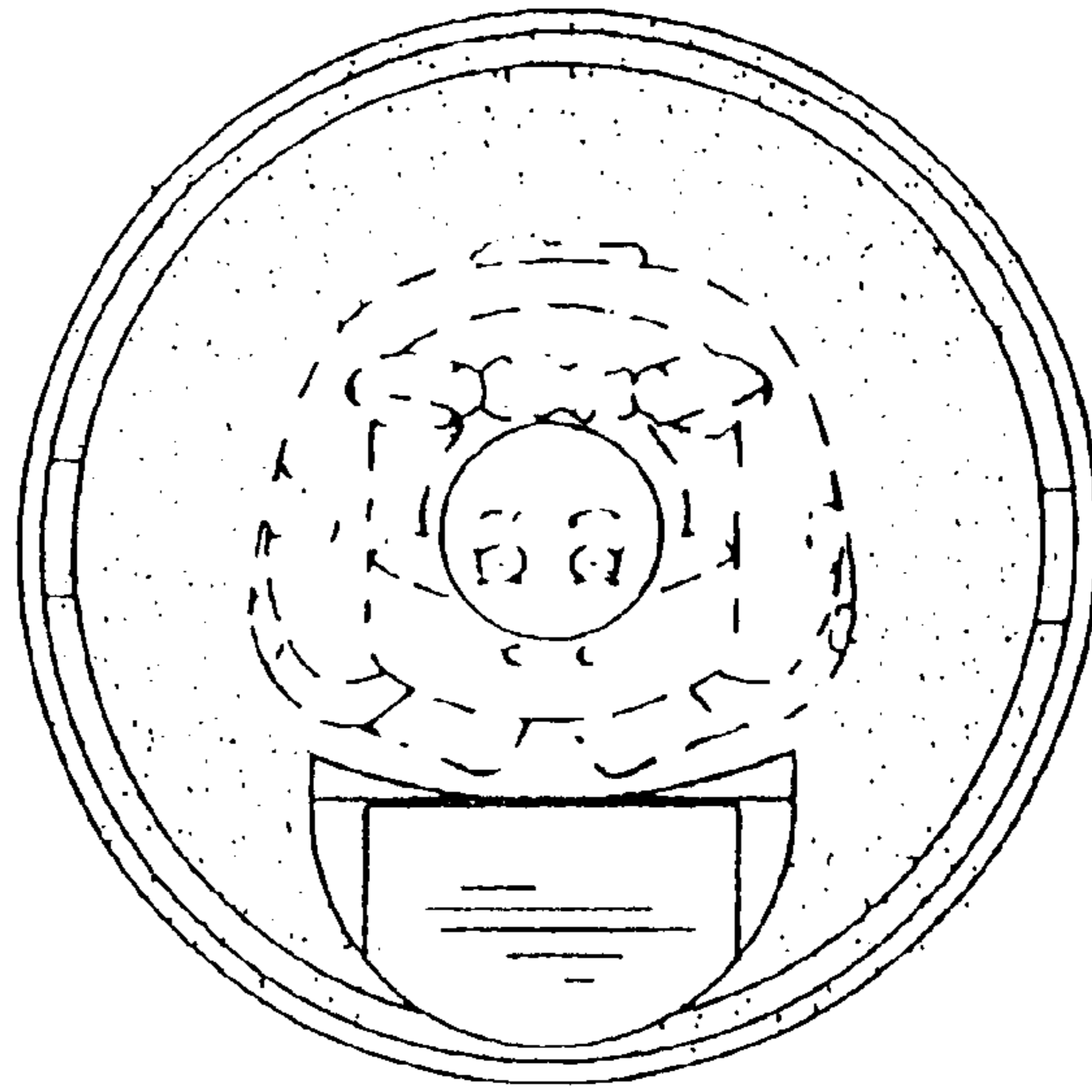




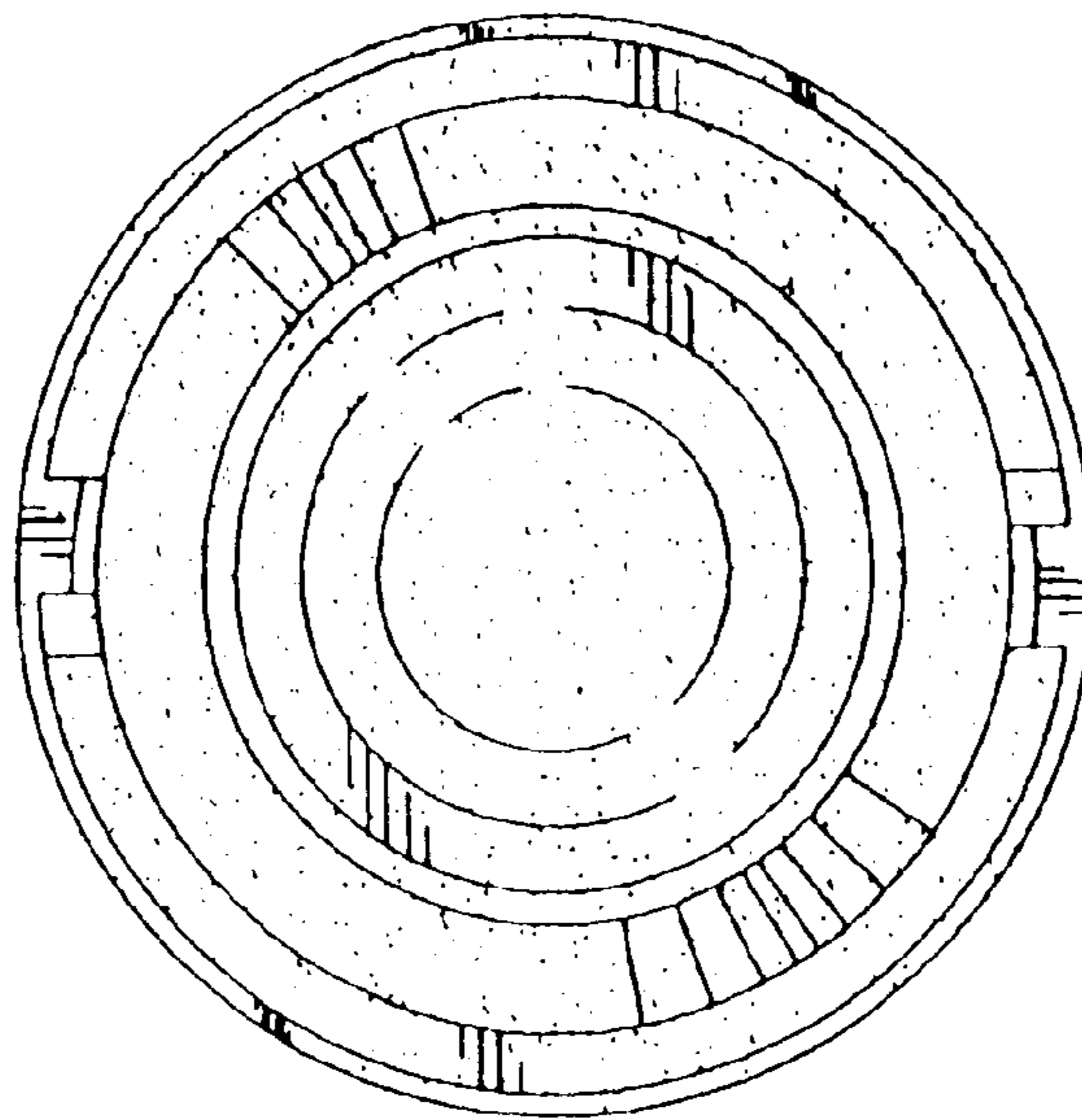
**FIG. 9**



**FIG. 10**



**FIG. 11**



**FIG. 12**