



US00D456204S

(12) **United States Design Patent**  
**Schulein**

(10) **Patent No.:** **US D456,204 S**

(45) **Date of Patent:** **\*\* Apr. 30, 2002**

(54) **WARMING PLATE**

(75) Inventor: **Rolf Gunter Schulein**, Singhofen (DE)

(73) Assignee: **Leifheit AG**, Nassau (DE)

(\*\*) Term: **14 Years**

(21) Appl. No.: **29/134,650**

(22) Filed: **Dec. 29, 2000**

(30) **Foreign Application Priority Data**

Jul. 1, 2000 (DE) ..... 400 06 076

(51) **LOC (7) Cl.** ..... **07-02**

(52) **U.S. Cl.** ..... **D7/362**

(58) **Field of Search** ..... D7/323, 352, 362-367,  
D7/332, 337-338, 402, 409-410, 328-330;  
99/372, 374-376, 379-380, 389, 425, 386,  
443 C, 329 RT, 450; 219/450.1, 512

(56) **References Cited**

**U.S. PATENT DOCUMENTS**

1,542,330 A	*	6/1925	Ball	.....	219/392
D84,758 S	*	7/1931	Samuels	.....	D7/364
D92,329 S	*	5/1934	Weinhardt et al.	.....	D7/364
D97,530 S	*	11/1935	Knapp	.....	D7/364
D109,359 S	*	4/1938	Stocker	.....	D7/364
D205,820 S	*	9/1966	Ryan	.....	D7/364
D304,990 S	*	12/1989	Springer	.....	D7/367
D305,290 S	*	1/1990	Springer	.....	D7/367

\* cited by examiner

*Primary Examiner*—Ruth McInroy

(74) *Attorney, Agent, or Firm*—Frishauf, Holtz, Goodman, Langer & Chick, P.C.

(57) **CLAIM**

The ornamental design for a warming plate, as shown and described.

**DESCRIPTION**

FIG. 1 is a top, front, right side perspective view of a warming plate showing a first embodiment of my new design;

FIG. 2 is a front elevational view thereof, the rear elevational view being a mirror image;

FIG. 3 is a left side elevational view thereof;

FIG. 4 is a right side elevational view thereof;

FIG. 5 is a top plan view thereof;

FIG. 6 is a bottom plan view thereof;

FIG. 7 is a top, front, right side perspective view of a second embodiment thereof;

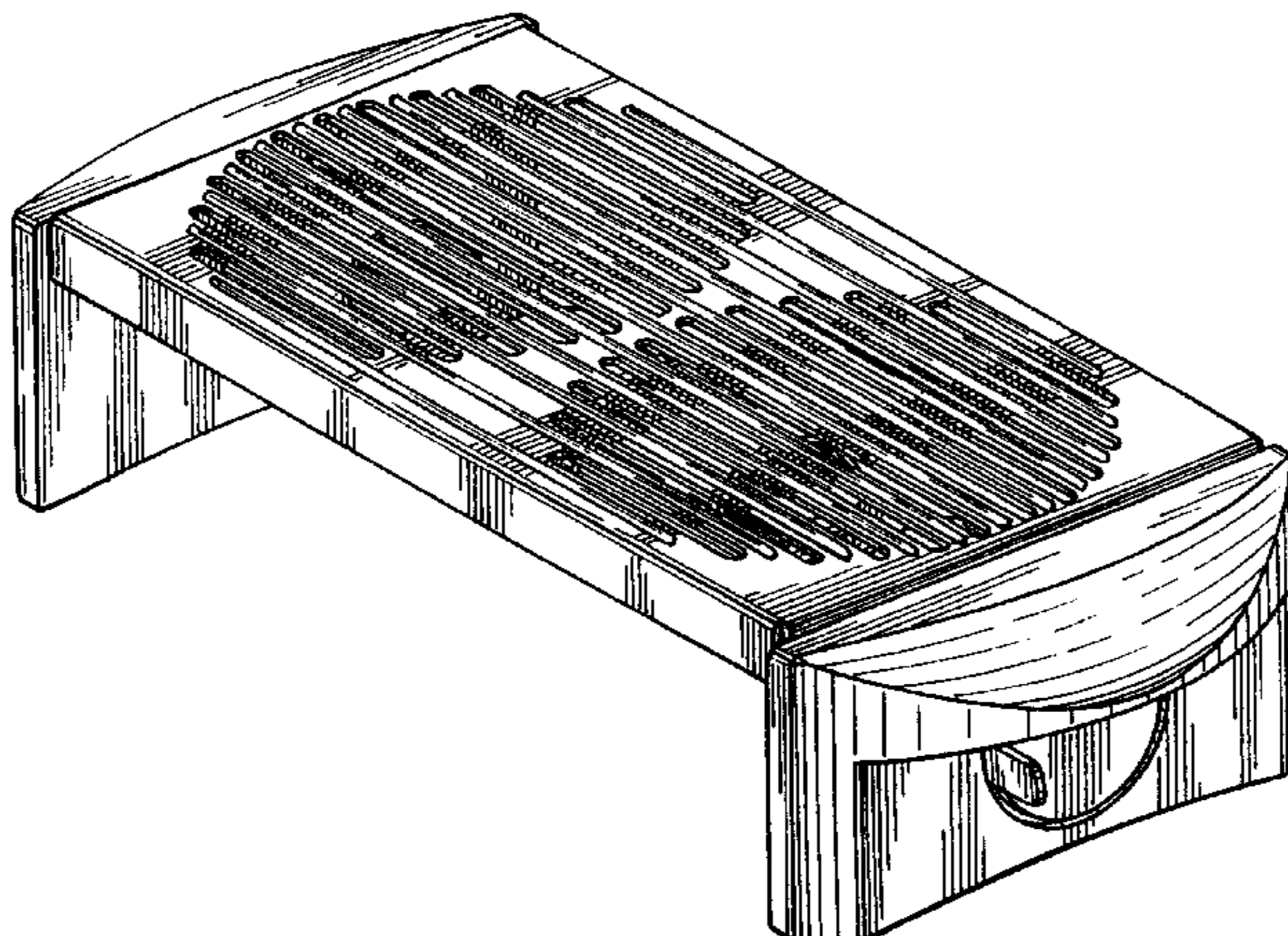
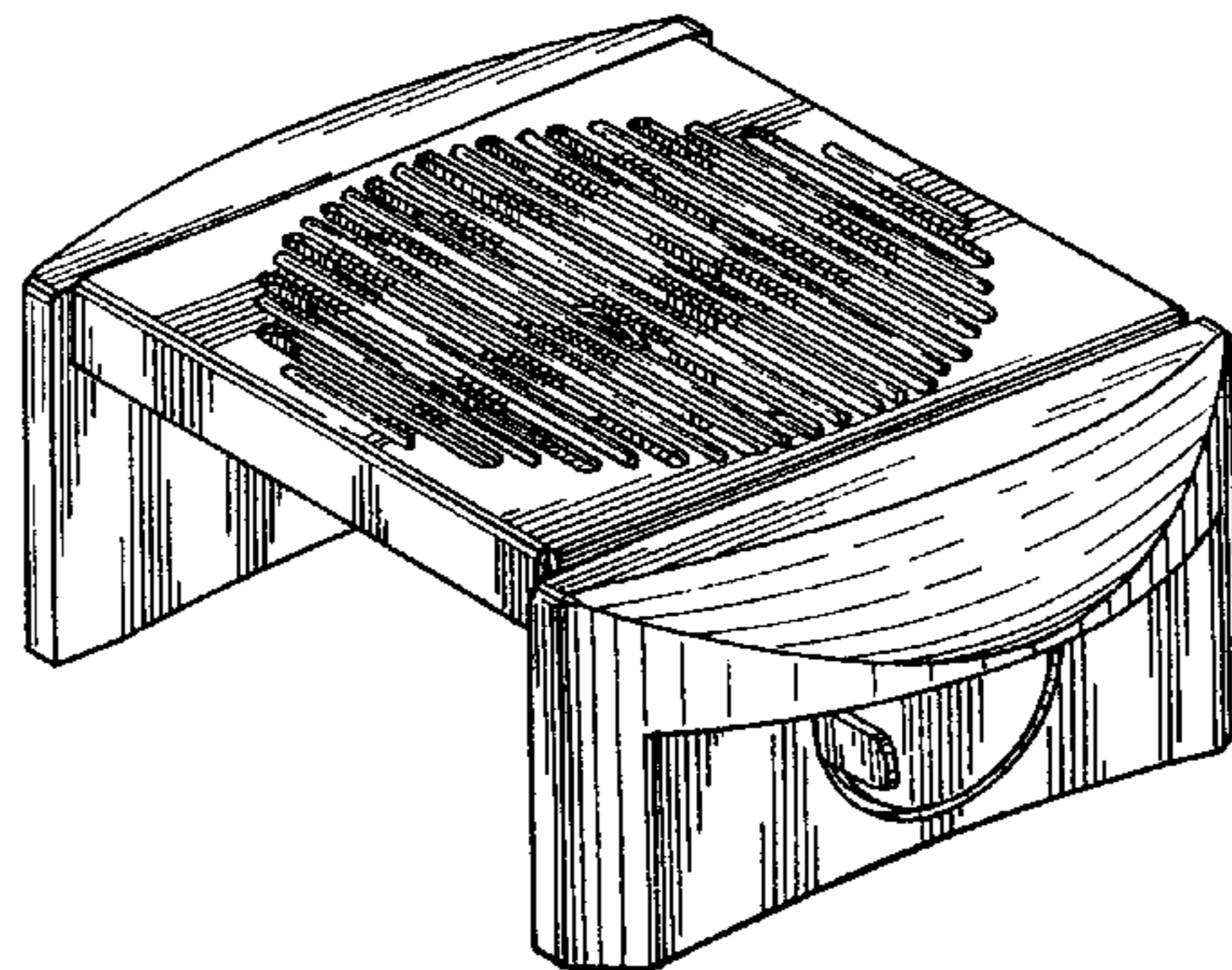
FIG. 8 is a front elevational view thereof, the rear elevational view being identical;

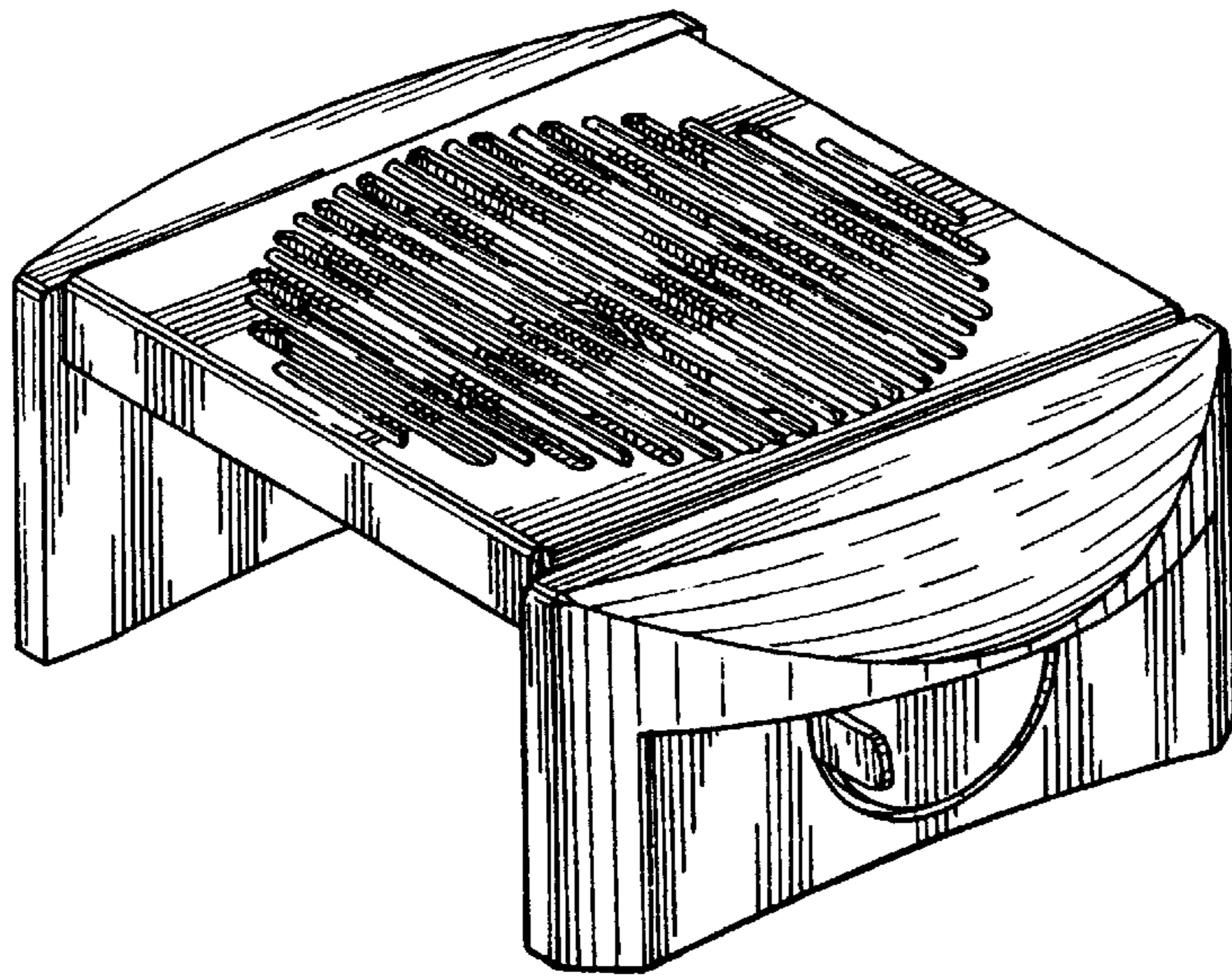
FIG. 9 is a left side elevational view thereof, the right side elevational view being identical;

FIG. 10 is a top plan view thereof; and,

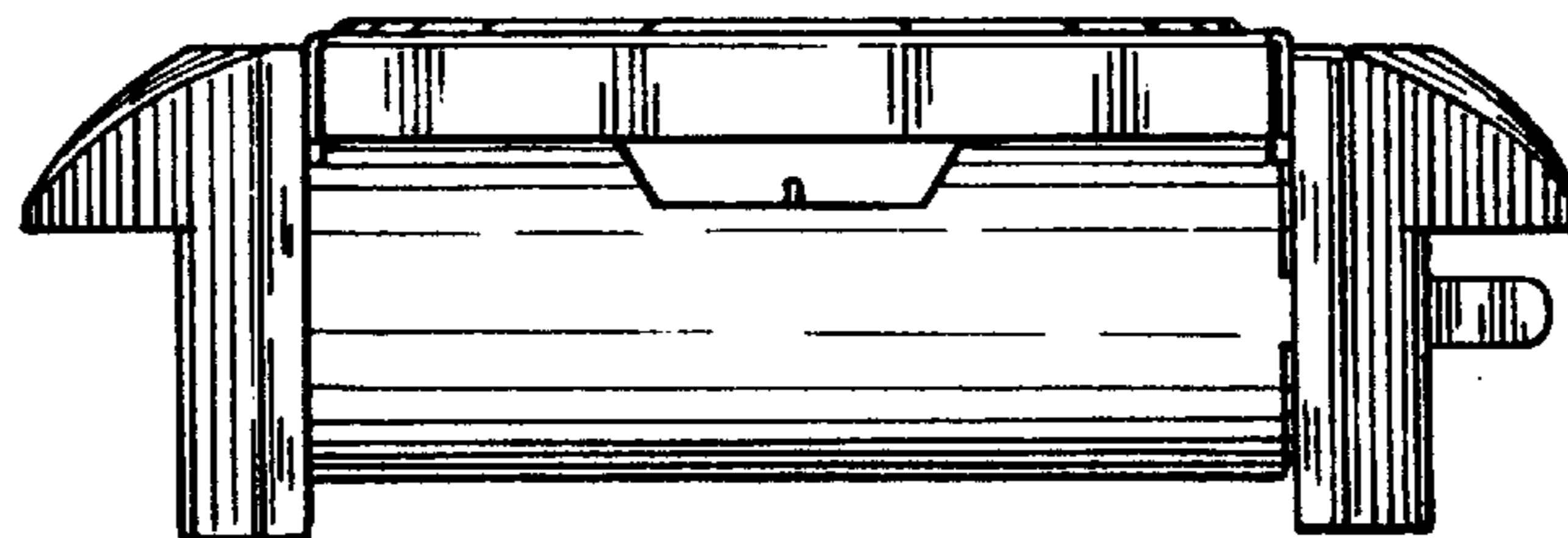
FIG. 11 is a bottom view thereof.

**1 Claim, 4 Drawing Sheets**

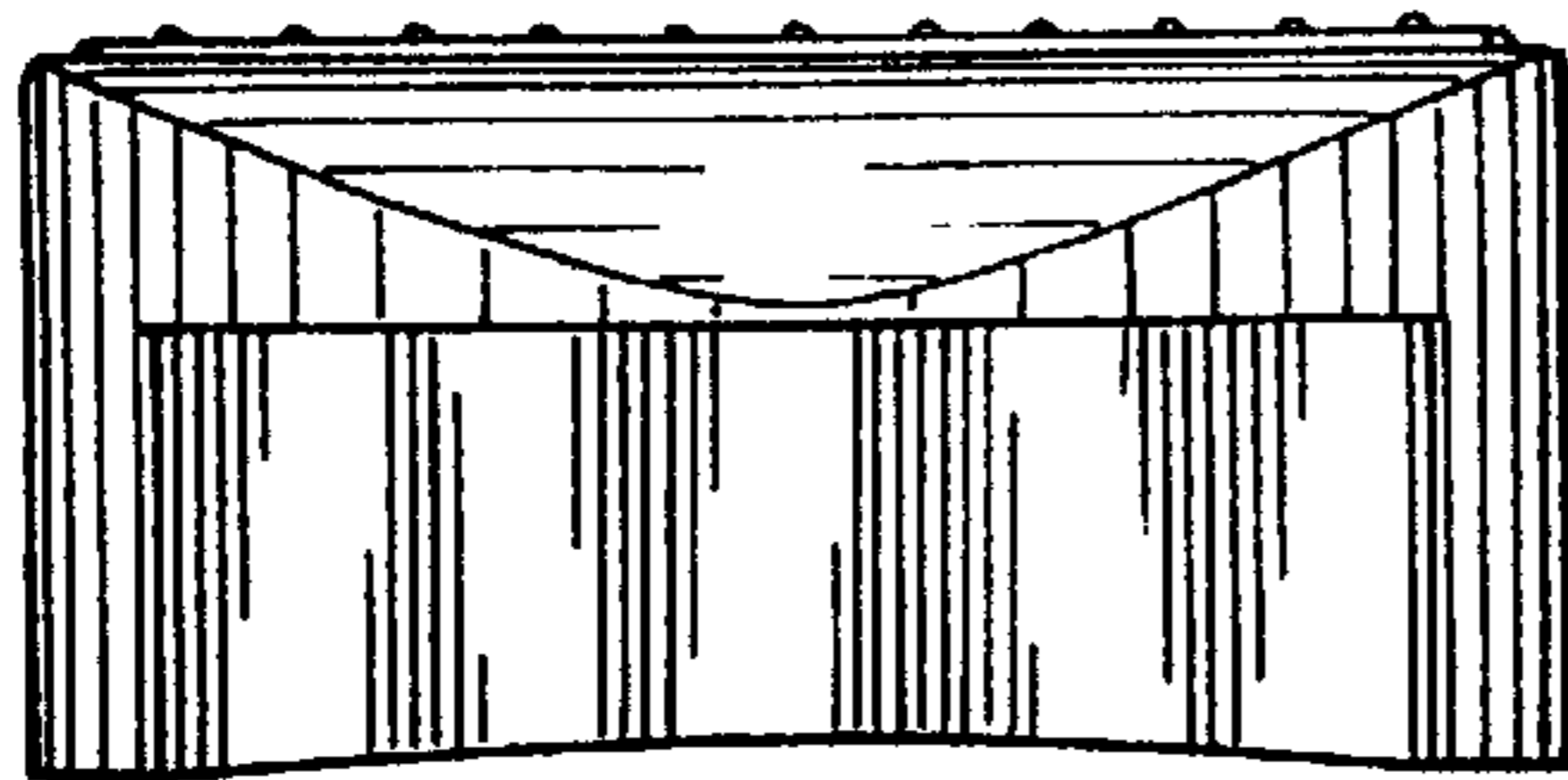




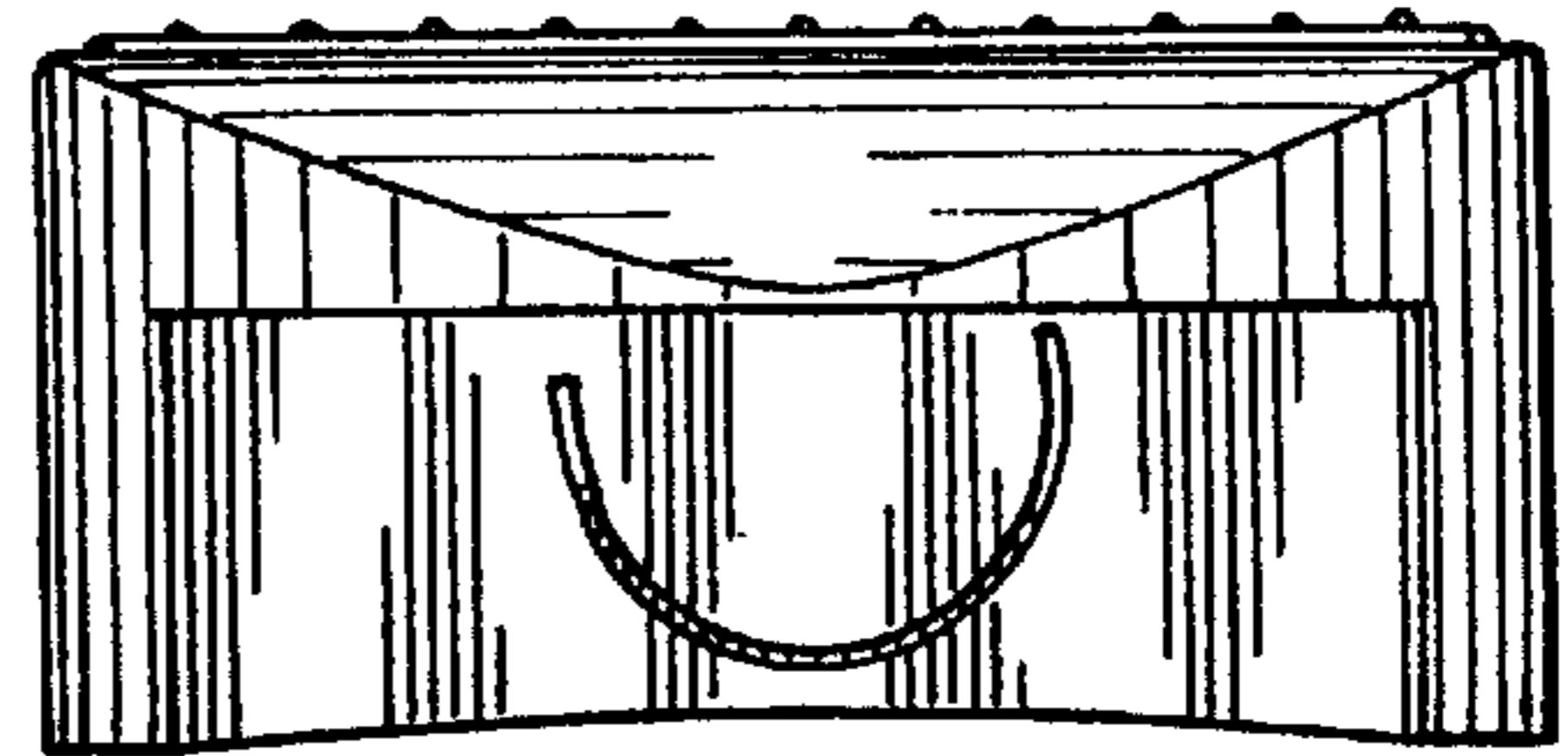
*Fig. 1*



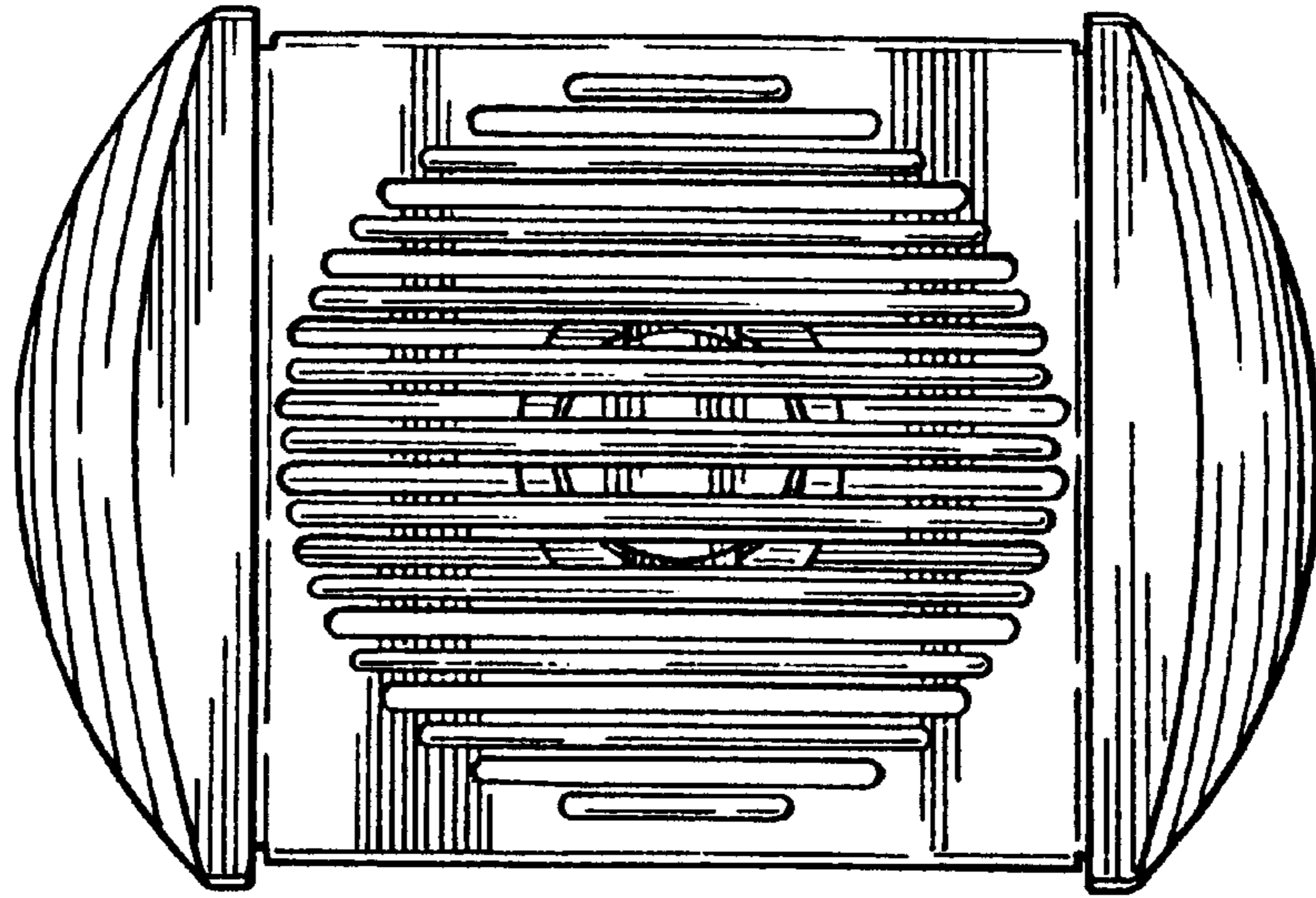
*Fig. 2*



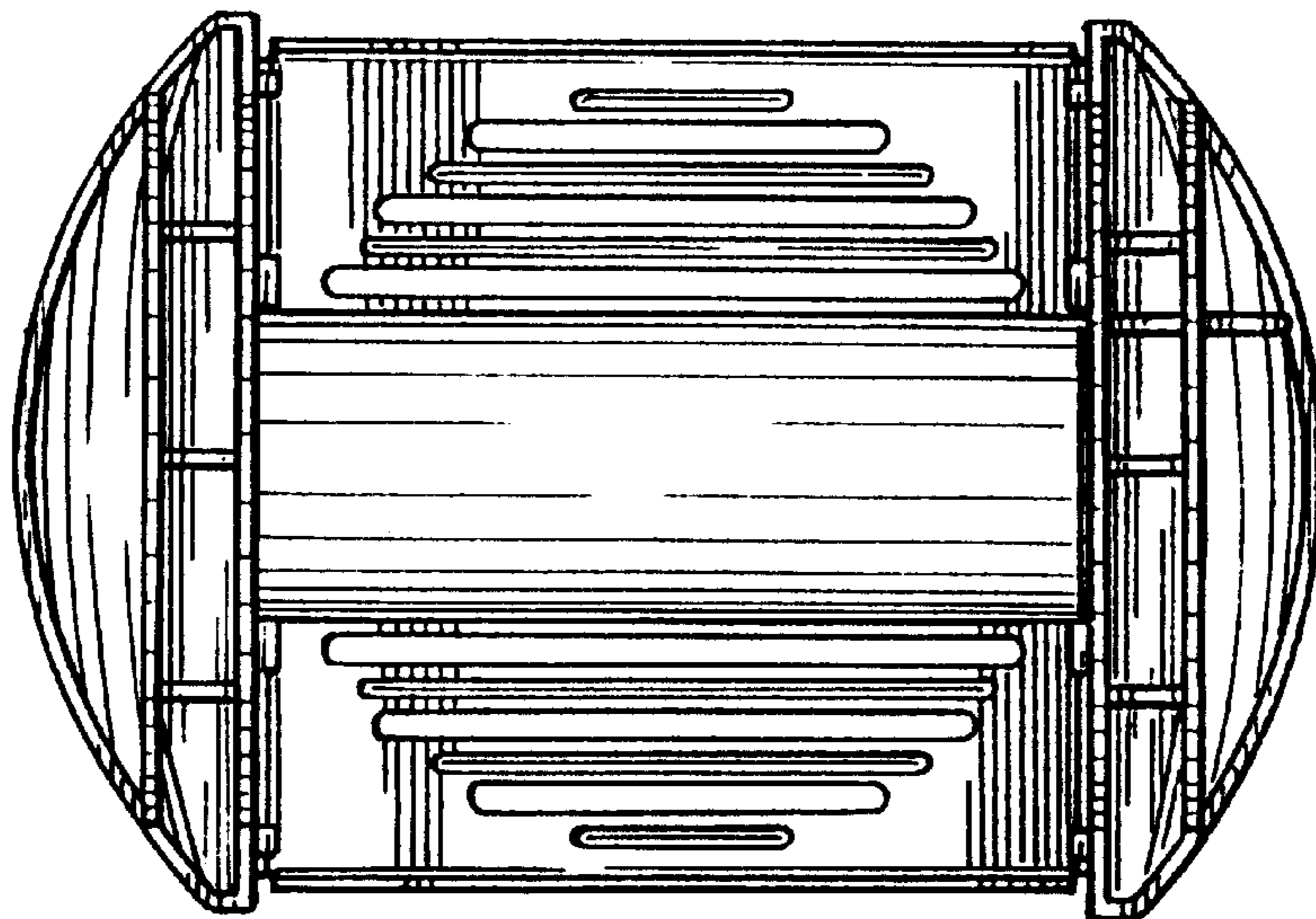
*Fig. 3*



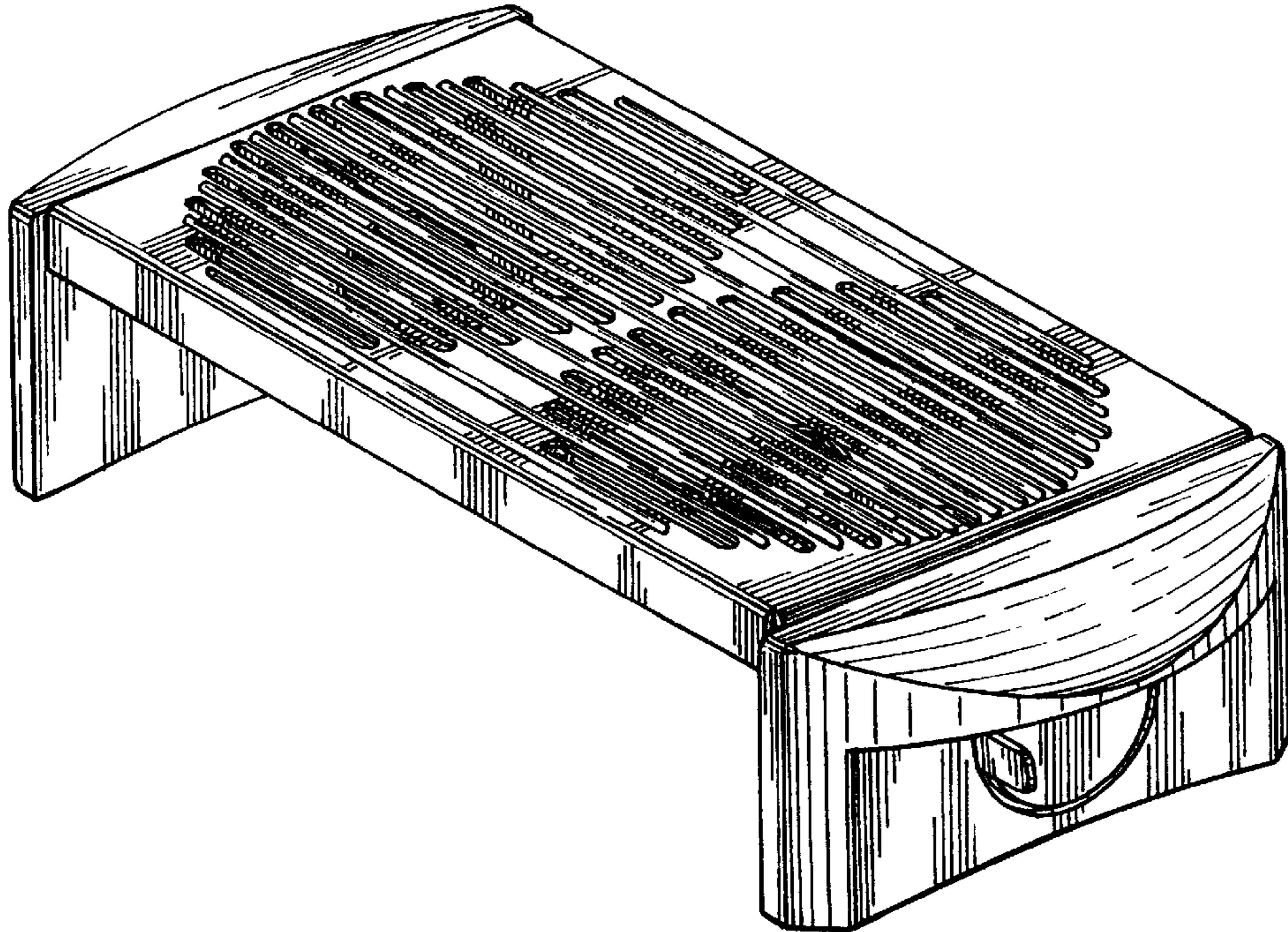
*Fig. 4*



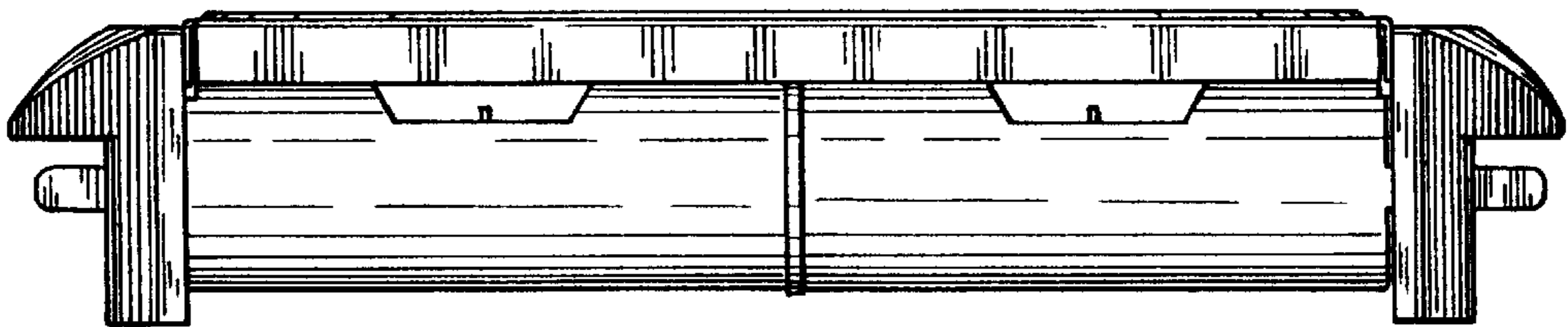
*Fig. 5*



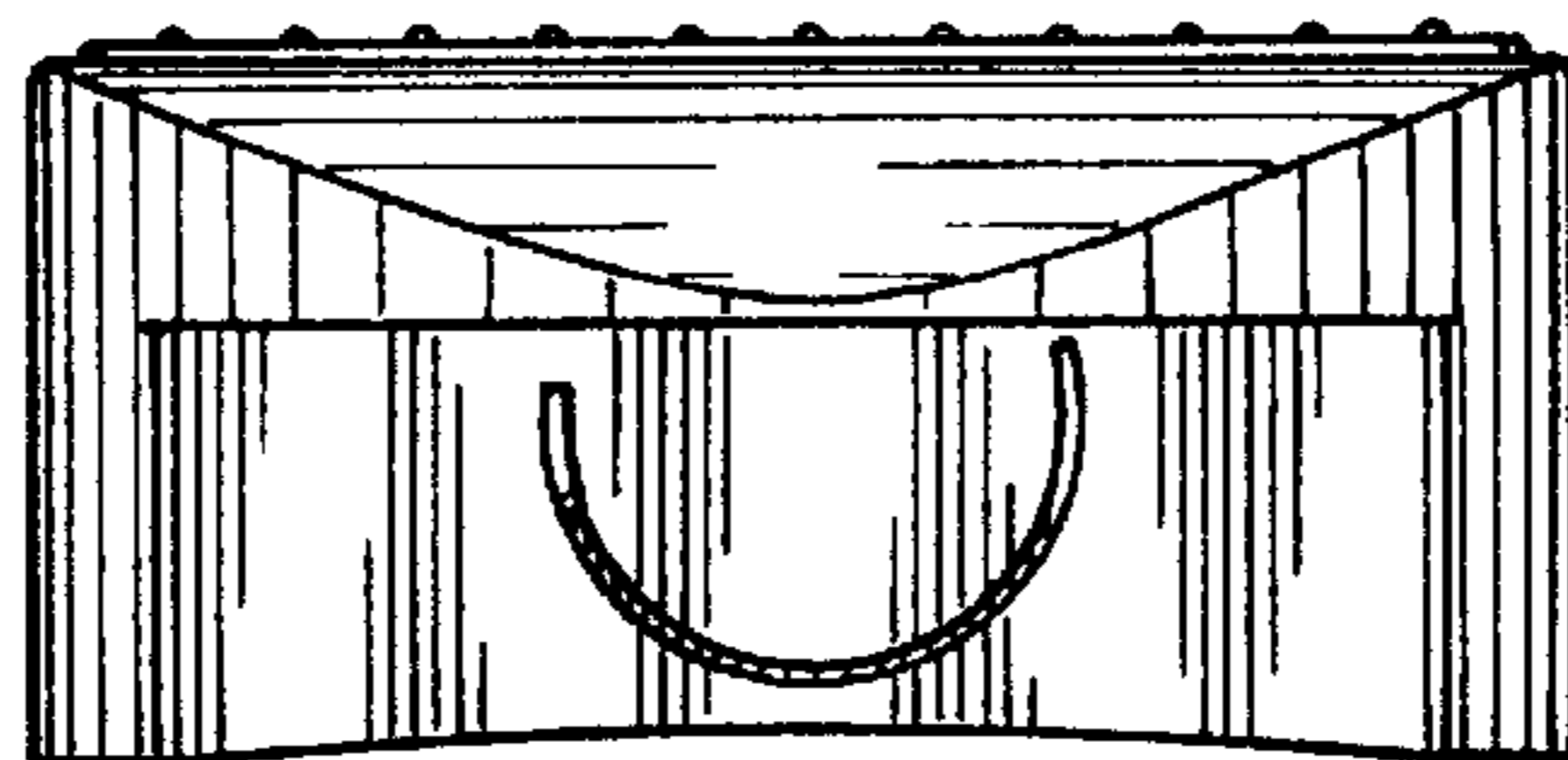
*Fig. 6*



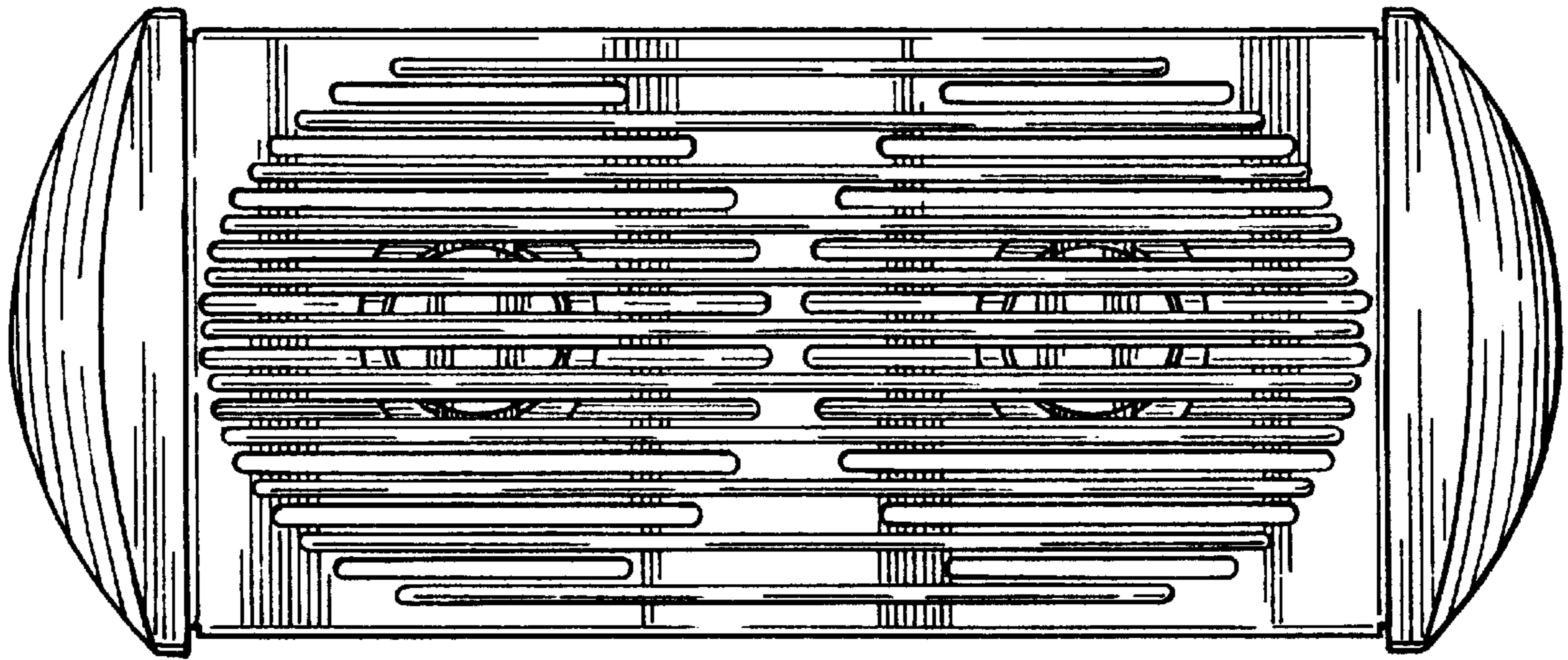
*Fig. 7*



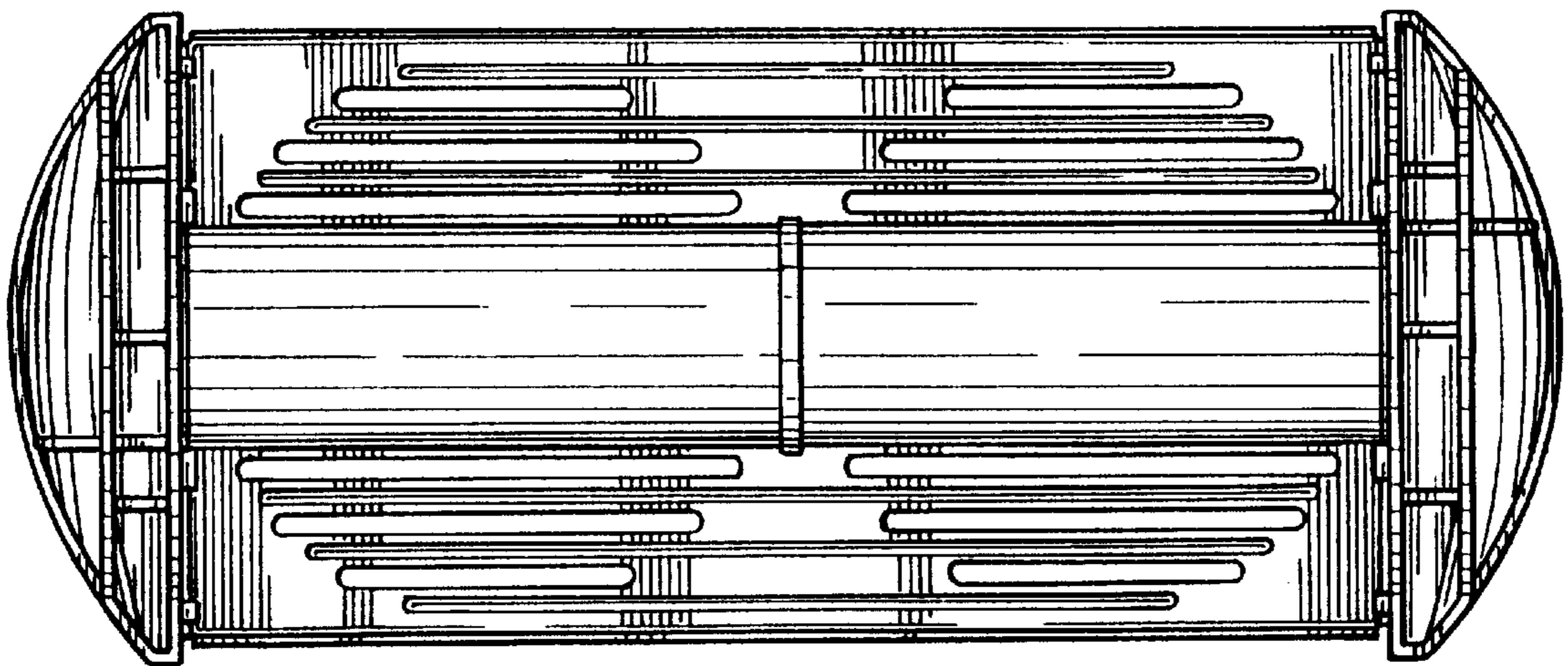
*Fig. 8*



*Fig. 9*



*Fig. 10*



*Fig. 11*