



US00D456203S

(12) **United States Design Patent**  
**Peloquin**

(10) **Patent No.:** **US D456,203 S**

(45) **Date of Patent:** **\*\* Apr. 30, 2002**

(54) **PORTABLE GRILL**

(75) **Inventor:** **Bruce Peloquin, Milford, MA (US)**

(73) **Assignee:** **Four Star International Trading Company, Milford, MA (US)**

(\*\*) **Term:** **14 Years**

(21) **Appl. No.:** **29/136,187**

(22) **Filed:** **Jan. 29, 2001**

(51) **LOC (7) Cl.** ..... **07-02**

(52) **U.S. Cl.** ..... **D7/334**

(58) **Field of Search** ..... D7/332, 334, 335,  
D7/336, 337, 402, 409; 126/25 R, 25 A,  
25 AA, 41 R, 29-30, 9 R, 9 B, 38, 506,  
519; D23/343, 348, 350, 317, 332, 334-336,  
338-339; 99/443, 450, 421 R

(56) **References Cited**

**U.S. PATENT DOCUMENTS**

- D270,606 S \* 9/1983 McCrary et al. .... D7/334
- D312,746 S \* 12/1990 Lutter ..... D7/337
- D325,319 S \* 4/1992 Zilber et al. .... D7/337
- 5,572,983 A \* 11/1996 Schlosser et al. .... 126/25 R

- 5,617,779 A \* 4/1997 Dutczak ..... 99/450
- D379,286 S \* 5/1997 Fincher ..... D7/334
- D381,860 S \* 8/1997 Chiang ..... D7/334

\* cited by examiner

*Primary Examiner*—Ruth McInroy

(74) *Attorney, Agent, or Firm*—Mirick O’Connell

(57) **CLAIM**

The ornamental design for a portable grill, as shown and described.

**DESCRIPTION**

FIG. 1 is a perspective view of a portable grill showing my new design;

FIG. 2 is a right side elevational view thereof;

FIG. 3 is a left side elevational view thereof;

FIG. 4 is a front elevational view thereof;

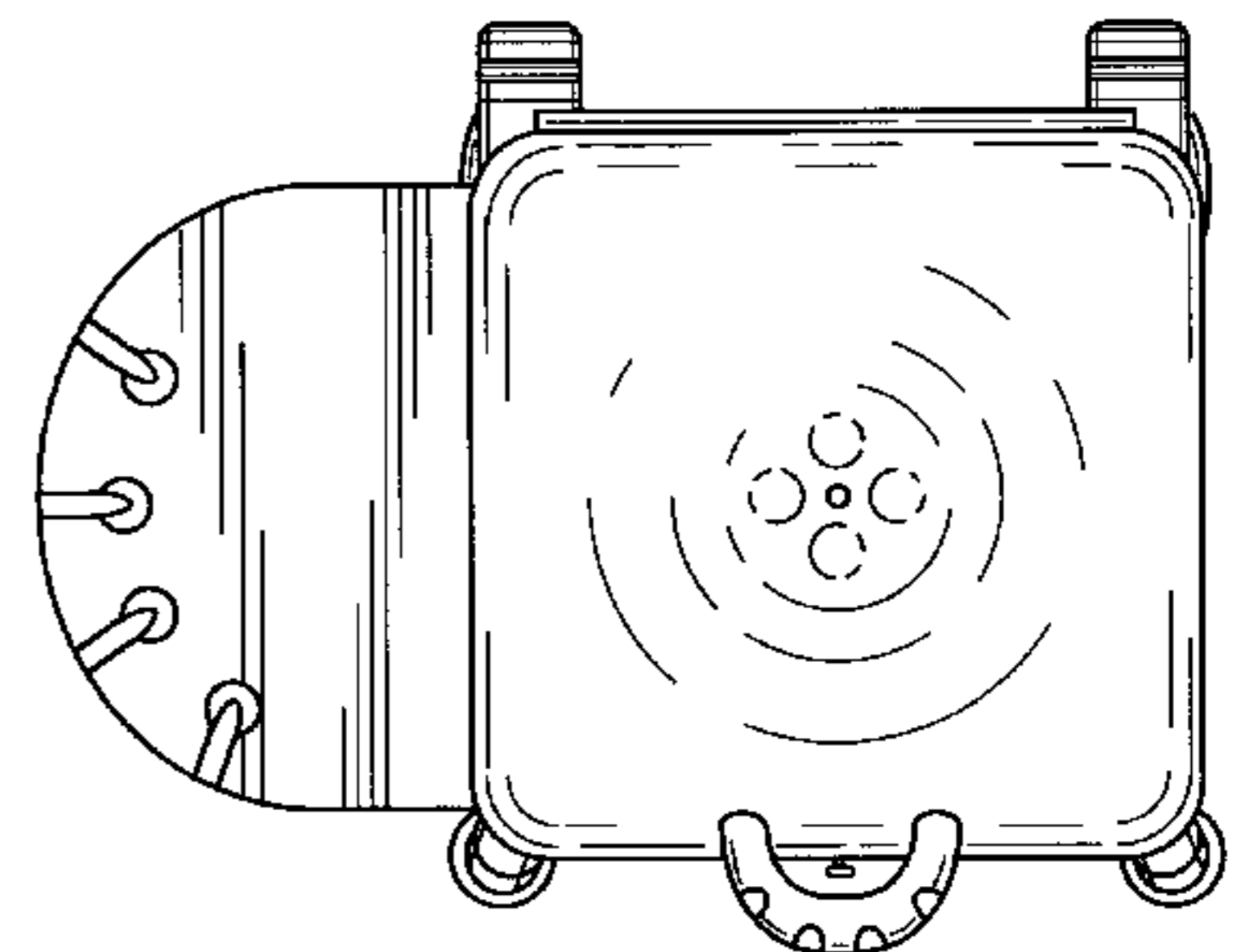
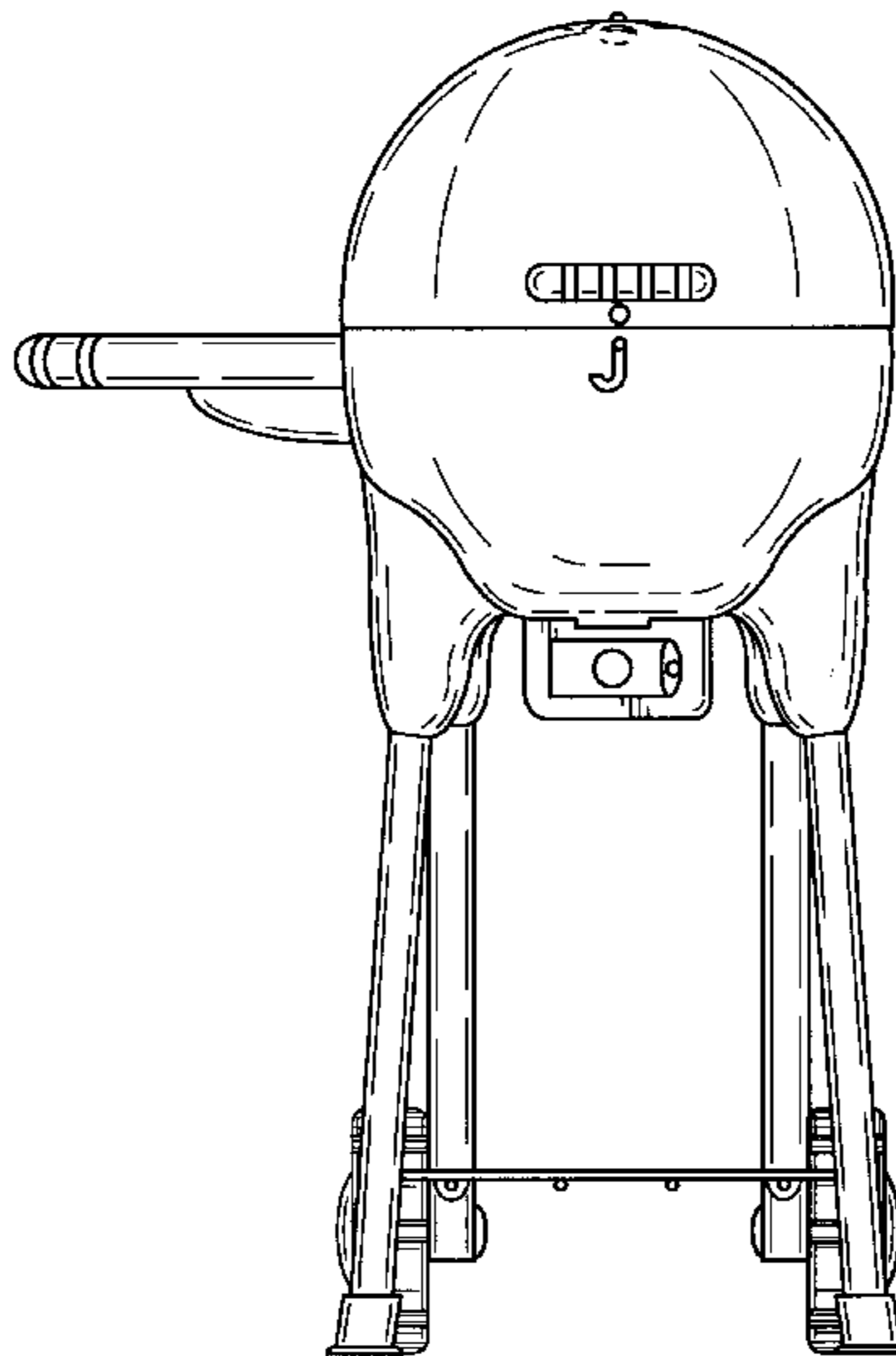
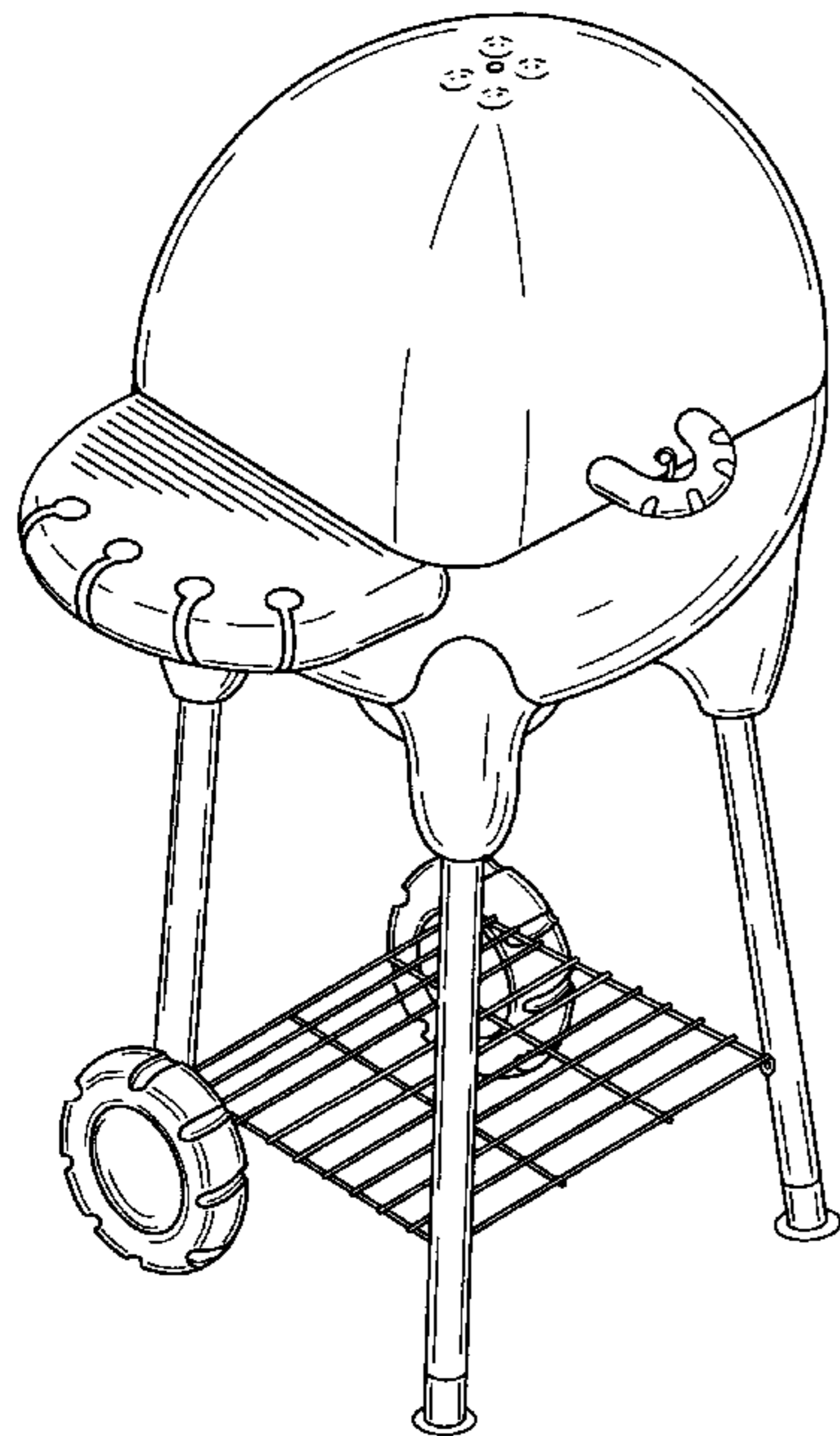
FIG. 5 is a rear elevational view thereof;

FIG. 6 is a top plan view thereof; and,

FIG. 7 is a bottom plan view thereof.

The vent openings in FIGS. 1-6 are shown in broken lines for illustrative purposes only and form no part of the claimed design.

**1 Claim, 6 Drawing Sheets**



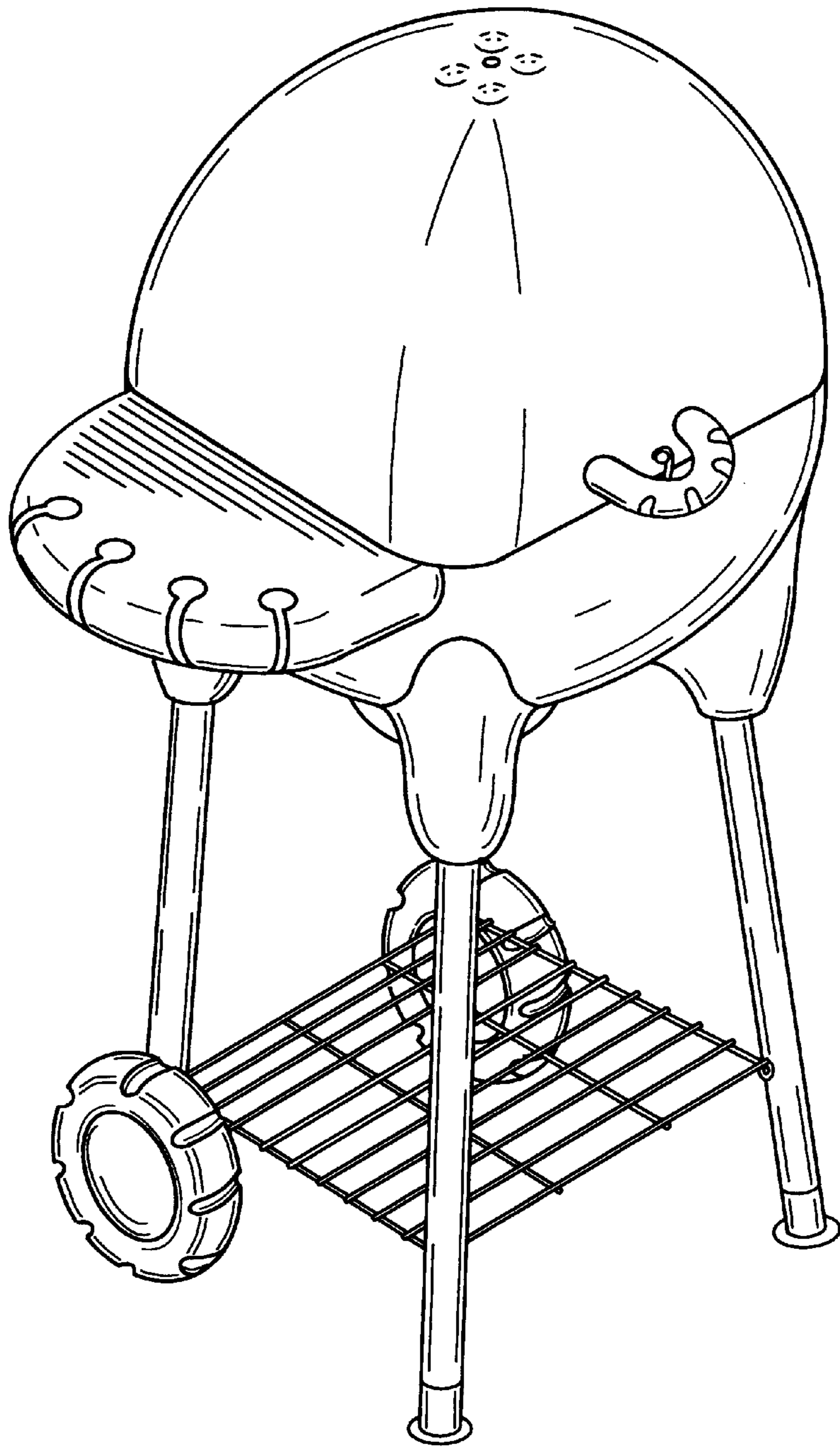


FIG. 1

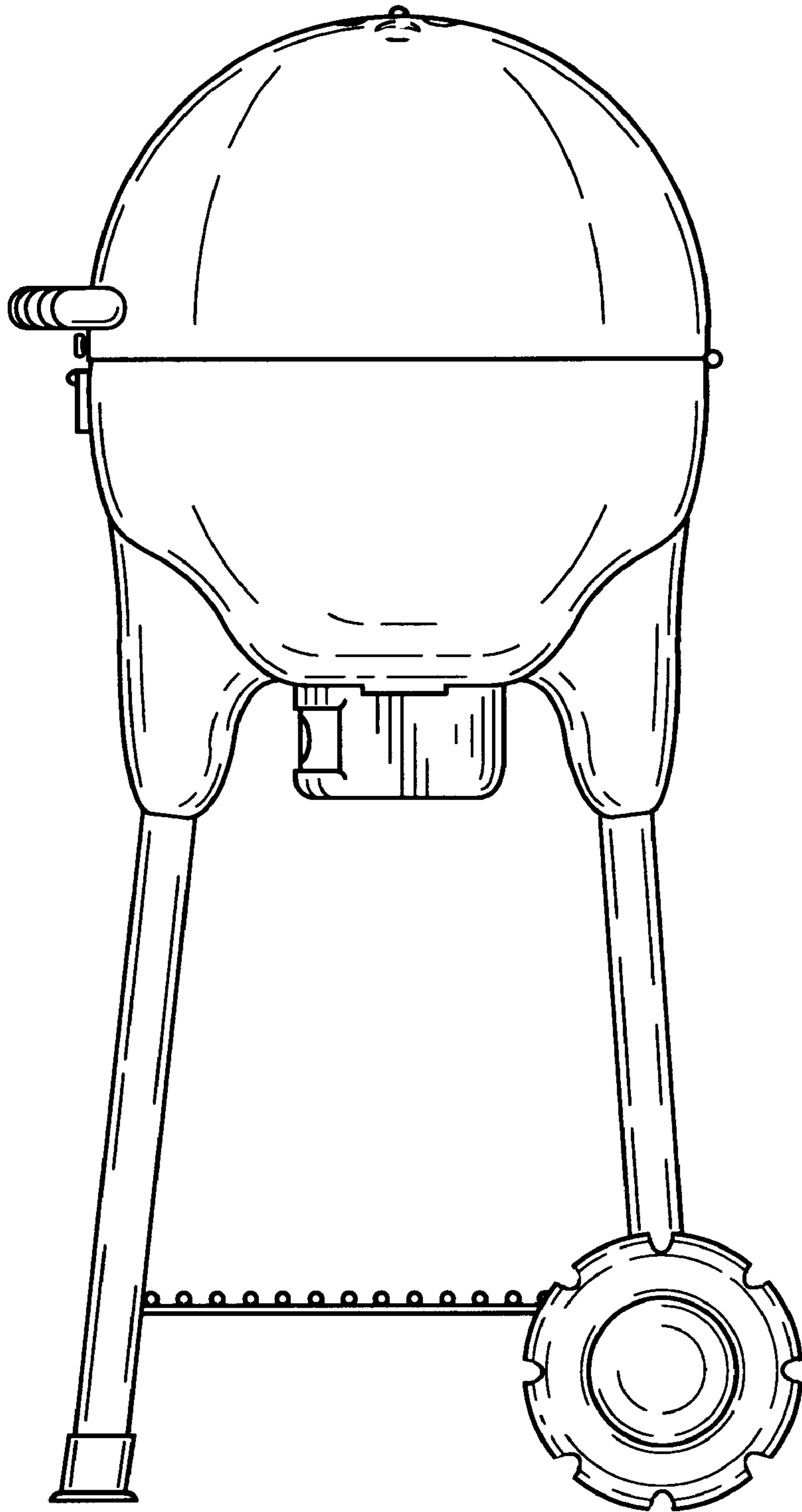


FIG. 2

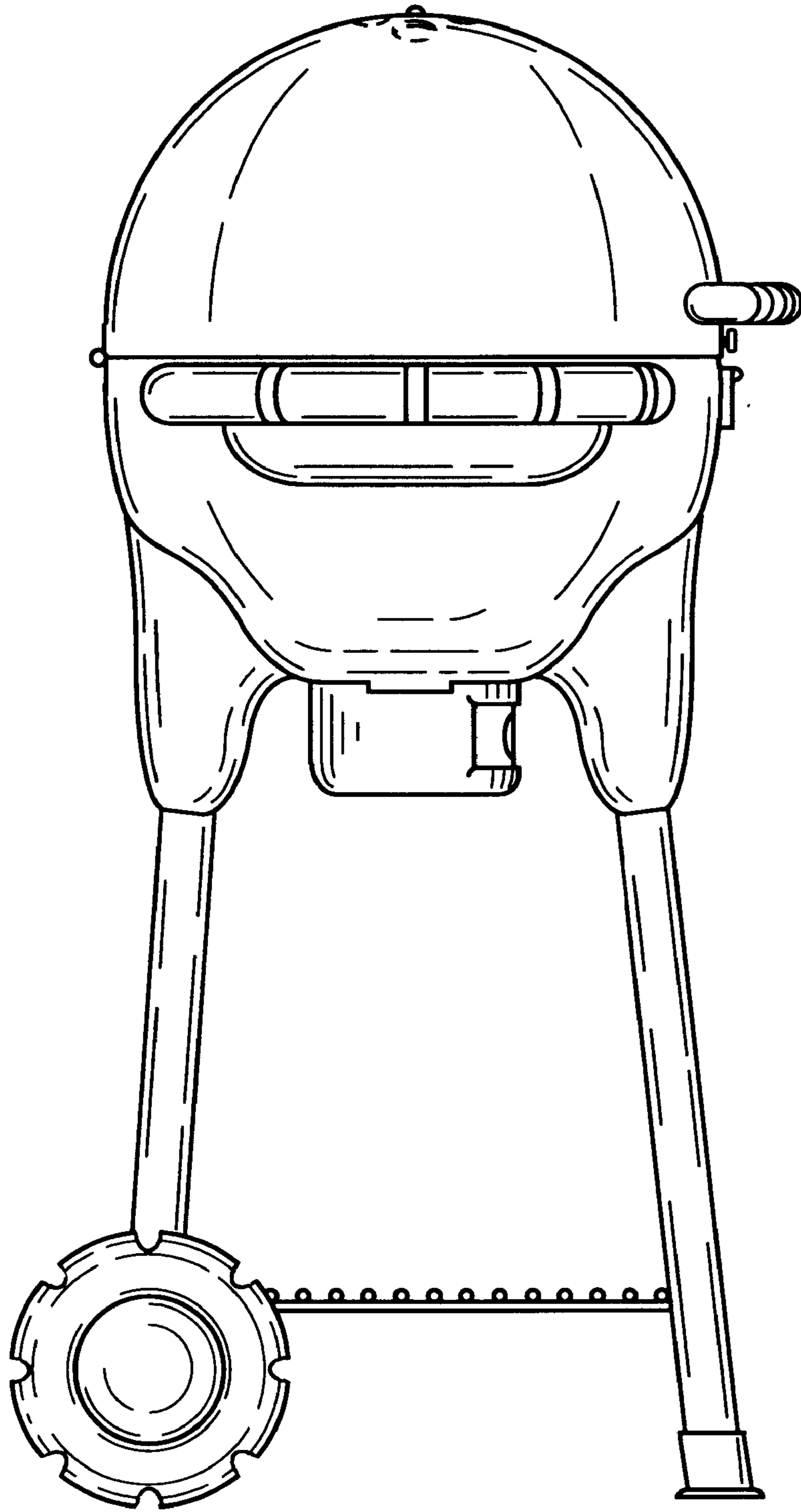


FIG. 3

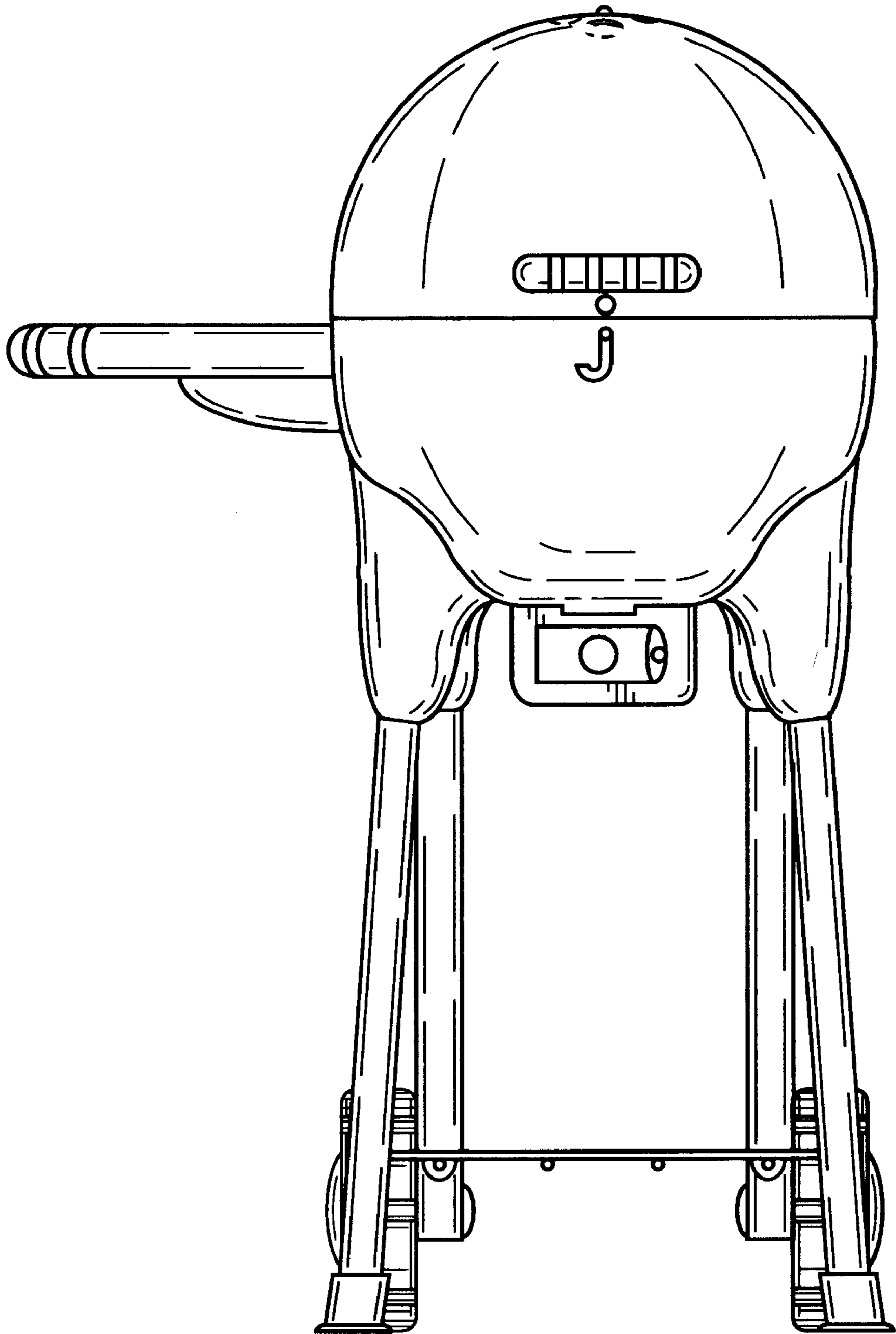


FIG. 4

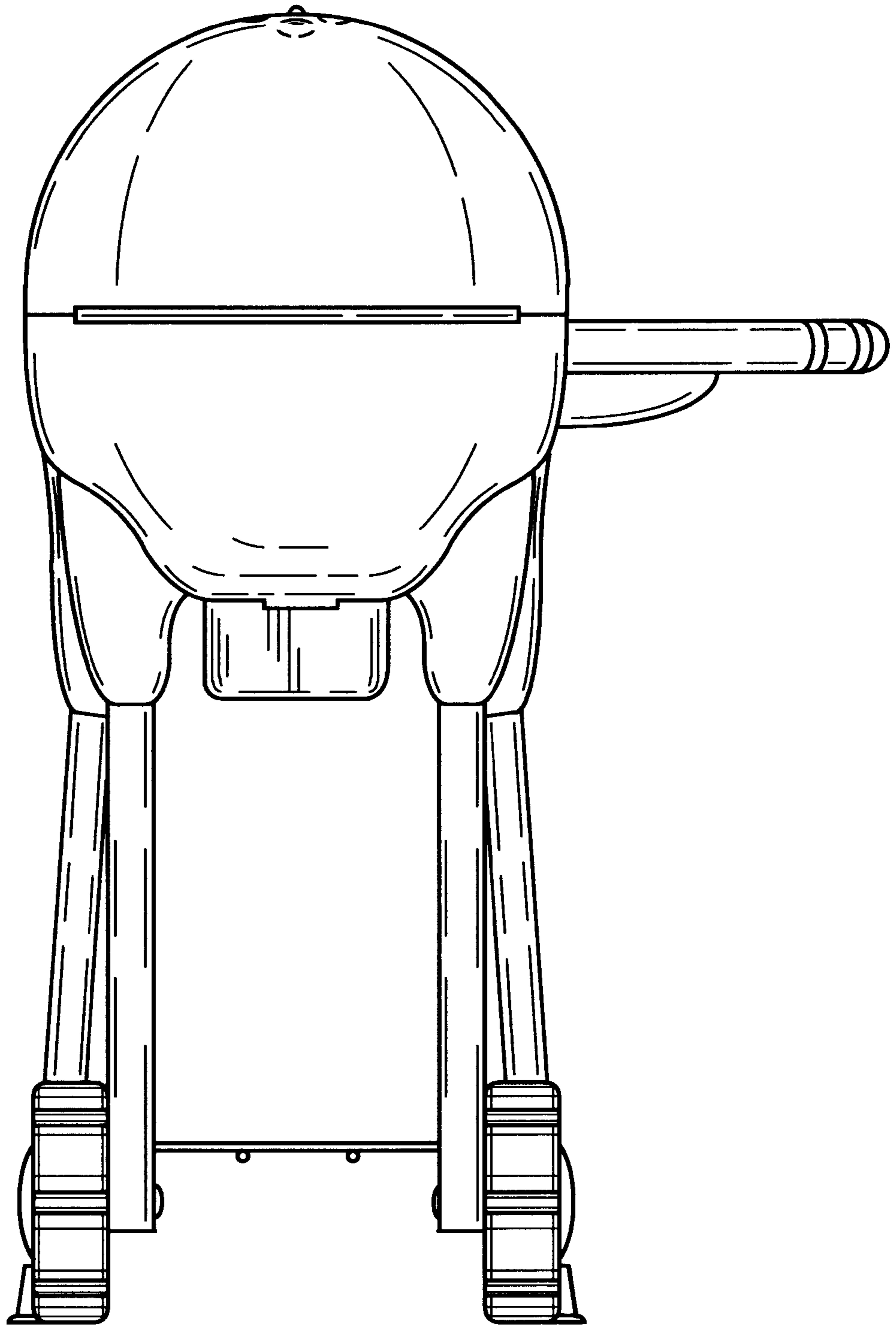


FIG. 5



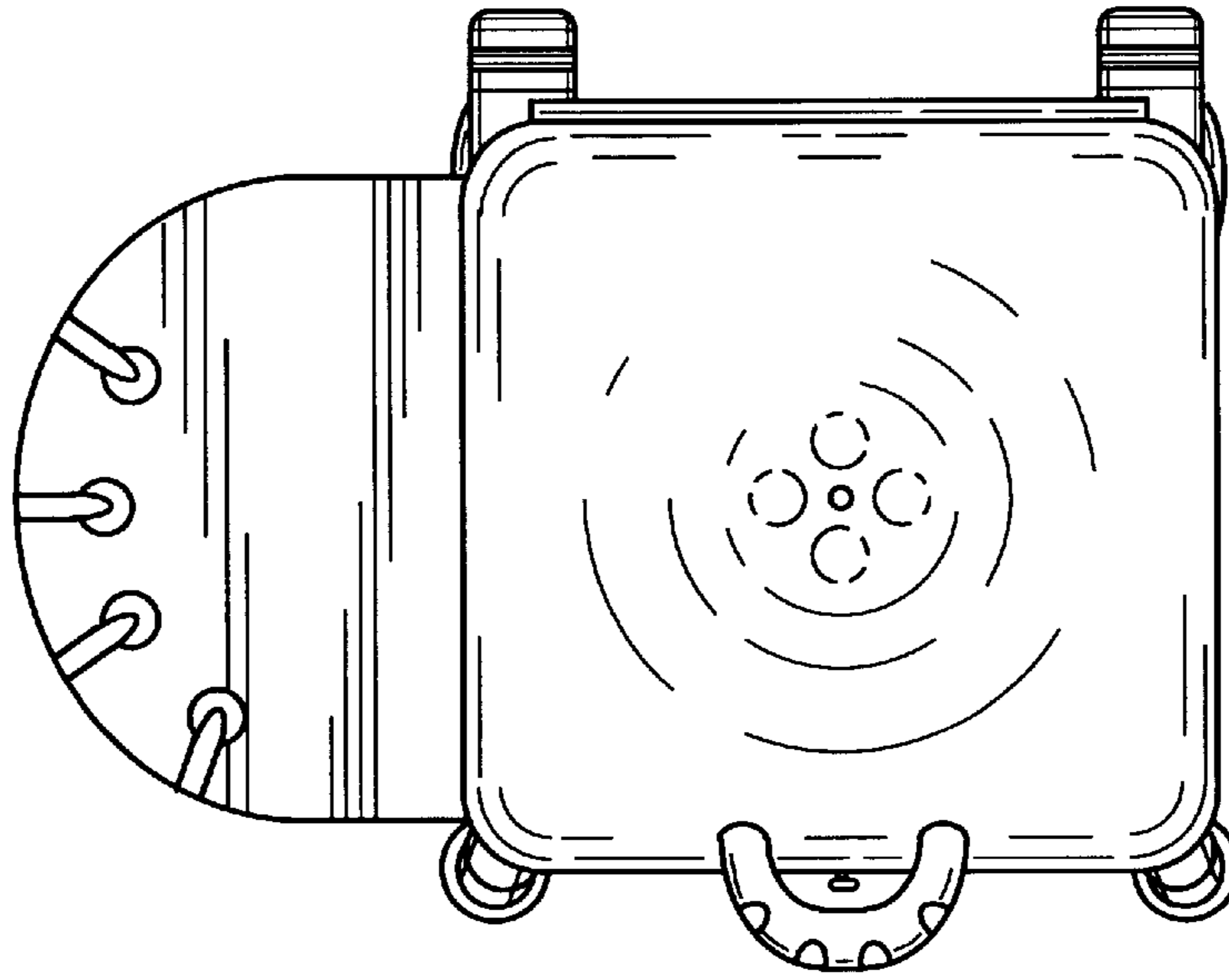


FIG. 6

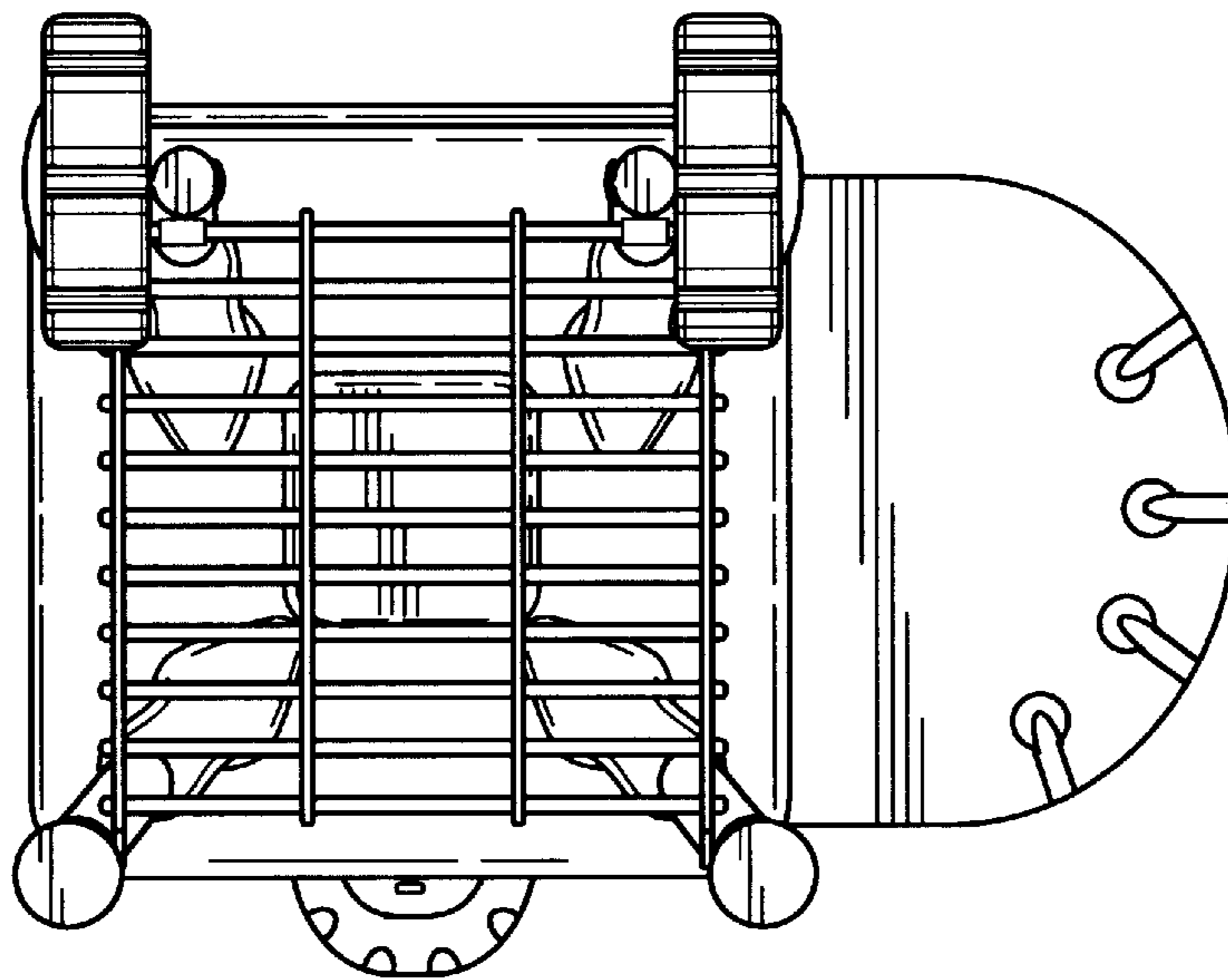


FIG. 7