



US00D456202S

(12) **United States Design Patent**
McNair et al.

(10) **Patent No.:** **US D456,202 S**

(45) **Date of Patent:** **** Apr. 30, 2002**

(54) **PORTABLE BARBECUE GRILL**

(75) Inventors: **John McNair**, Tai Po (HK); **Brian Coleman**, Midland, GA (US); **Nheeda Enriquez**, Atlanta, GA (US); **Devin Moore**, Decatur, GA (US)

(73) Assignee: **W. C. Bradley Company**, Columbus, GA (US)

(**) Term: **14 Years**

(21) Appl. No.: **29/127,777**

(22) Filed: **Aug. 11, 2000**

(51) **LOC (7) Cl.** **07-02**

(52) **U.S. Cl.** **D7/332**

(58) **Field of Search** D7/332-337, 402-404,
D7/406; 126/31 R, 40, 50, 9 R, 25 R, 25 A,
25 AA, 29-30, 37 R, 38, 332

(56) **References Cited**

U.S. PATENT DOCUMENTS

- D324,622 S * 3/1992 Baynes et al. D7/334
- D362,153 S * 9/1995 Home D7/334
- 5,623,866 A * 4/1997 Home 99/444

- D404,963 S * 2/1999 Schlosser et al. D7/334
- D426,101 S * 6/2000 Pai D7/334
- D437,177 S * 2/2001 Giebel et al. D7/334

* cited by examiner

Primary Examiner—Ruth McInroy

(74) *Attorney, Agent, or Firm*—James W. Kayden; Thomas, Kayden, Horstemeyer & Risley

(57) **CLAIM**

The ornamental design of a portable barbecue grill, as shown and described.

DESCRIPTION

FIG. 1 is a perspective view of a portable barbecue grill showing our new design;

FIG. 2 is a left side elevational view thereof;

FIG. 3 is a right side elevational view thereof;

FIG. 4 is a front elevational view thereof;

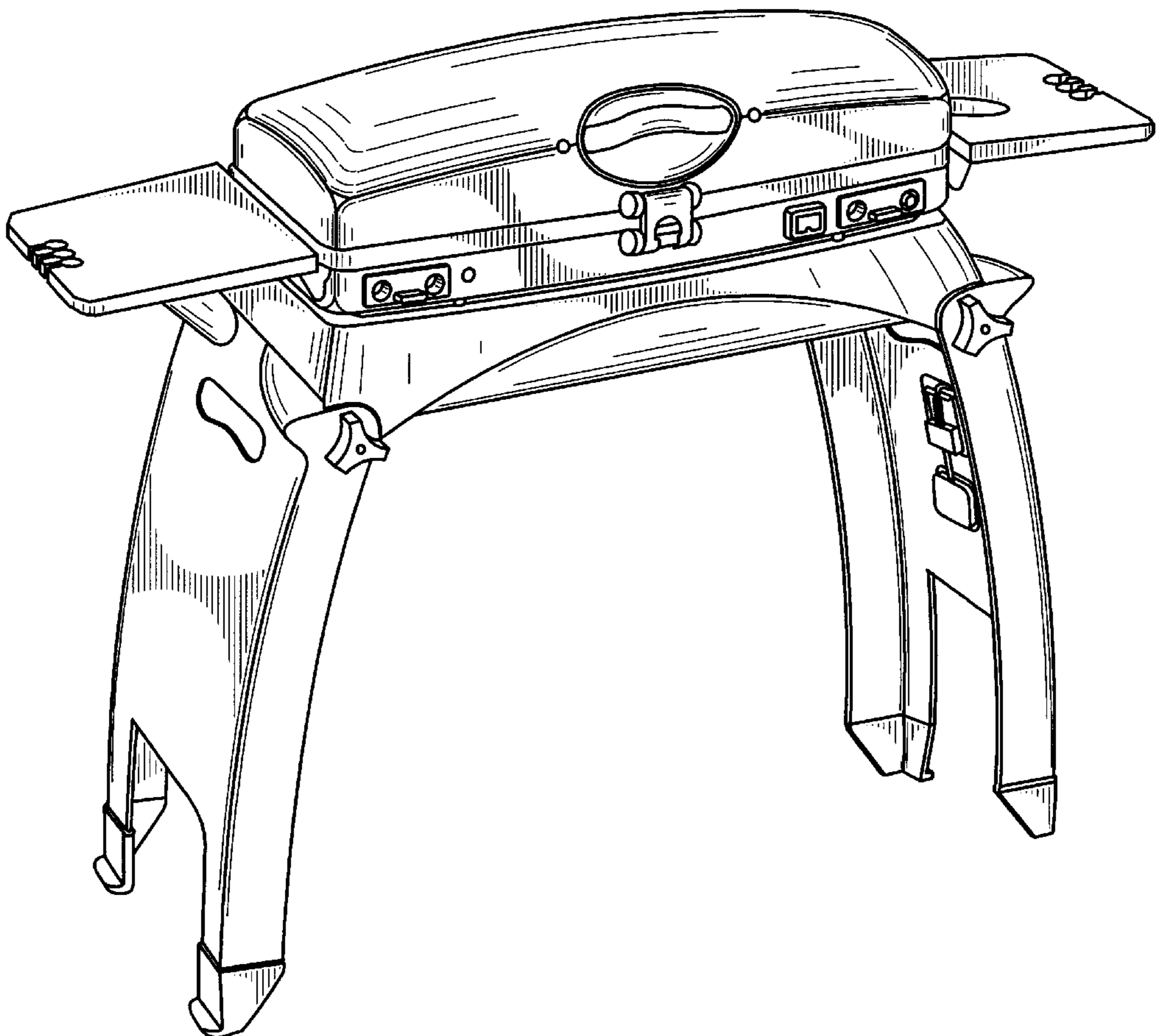
FIG. 5 is a rear elevational view thereof;

FIG. 6 is a top plan view thereof; and,

FIG. 7 is a bottom plan view thereof.

The details shown in broken lines in FIGS. 4 and 5 are for illustrative purposes only and form no part of the claimed design.

1 Claim, 5 Drawing Sheets



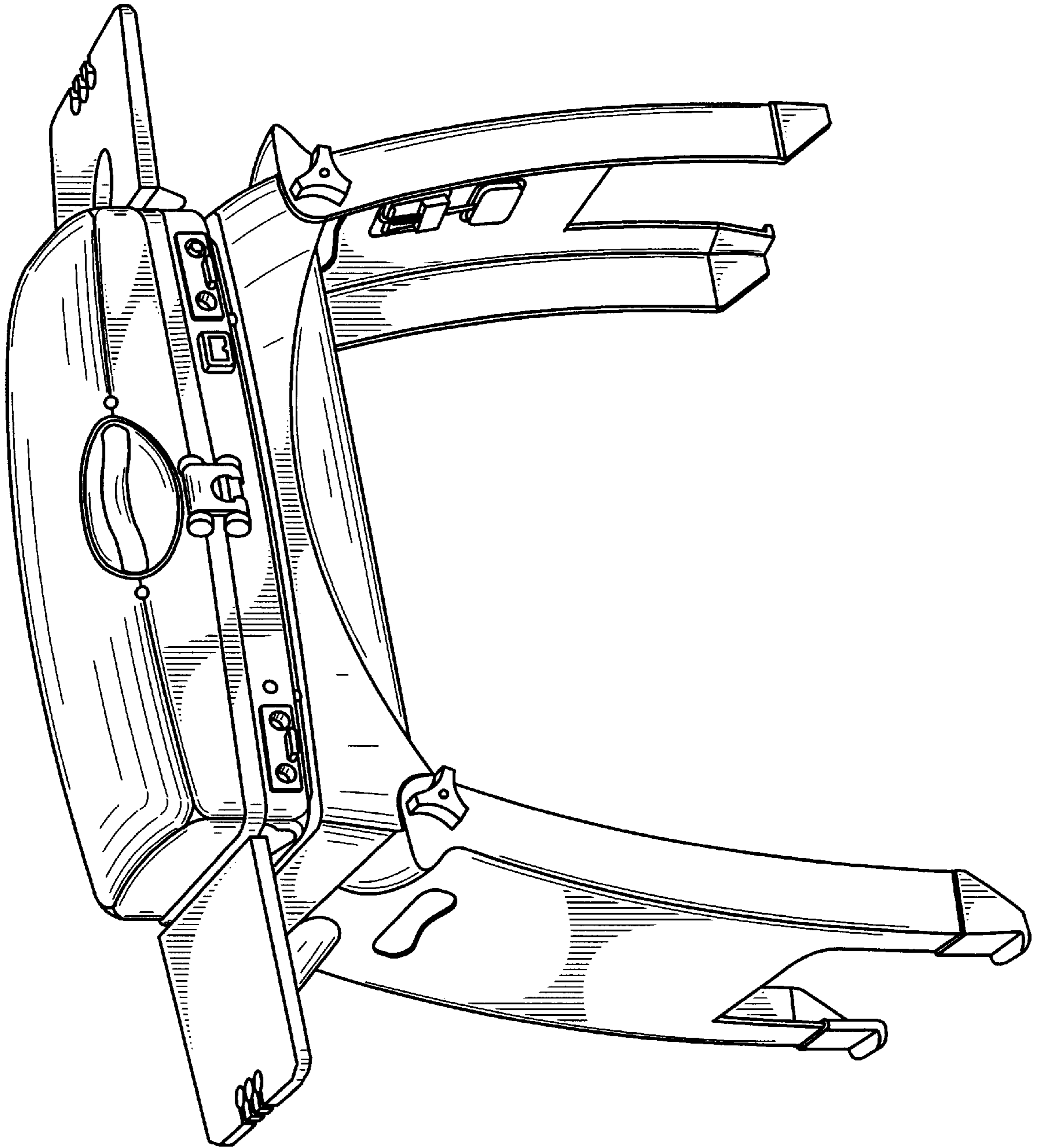


Fig. 1

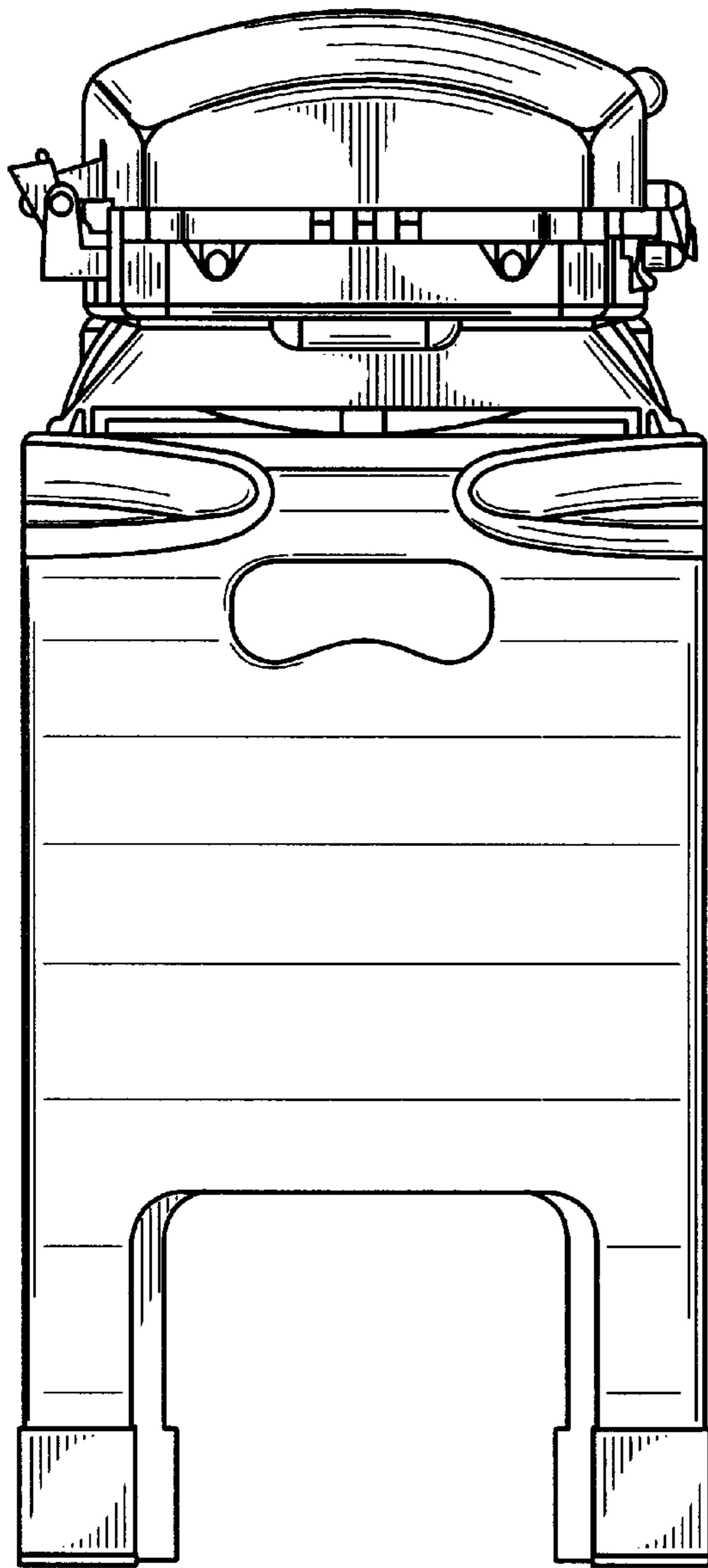


Fig. 2

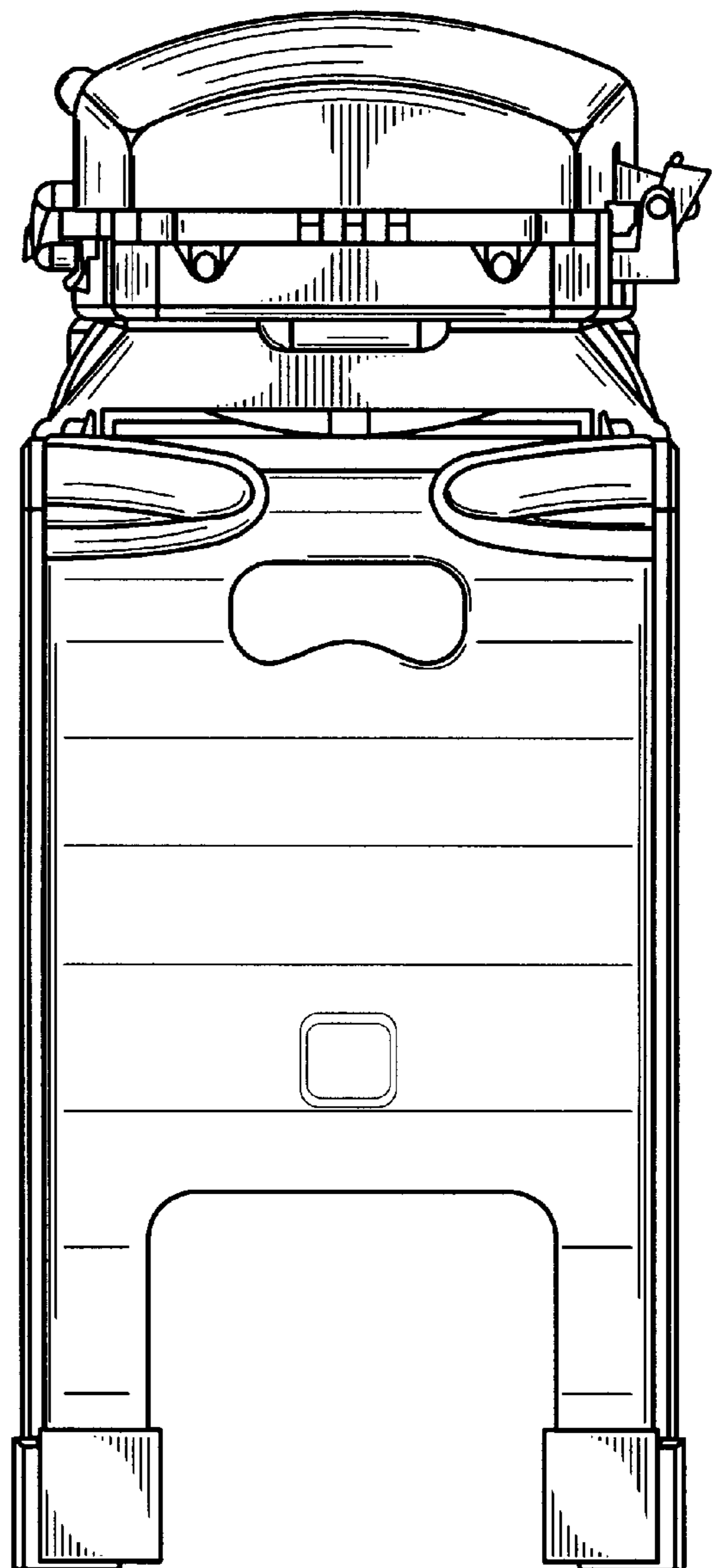


Fig. 3

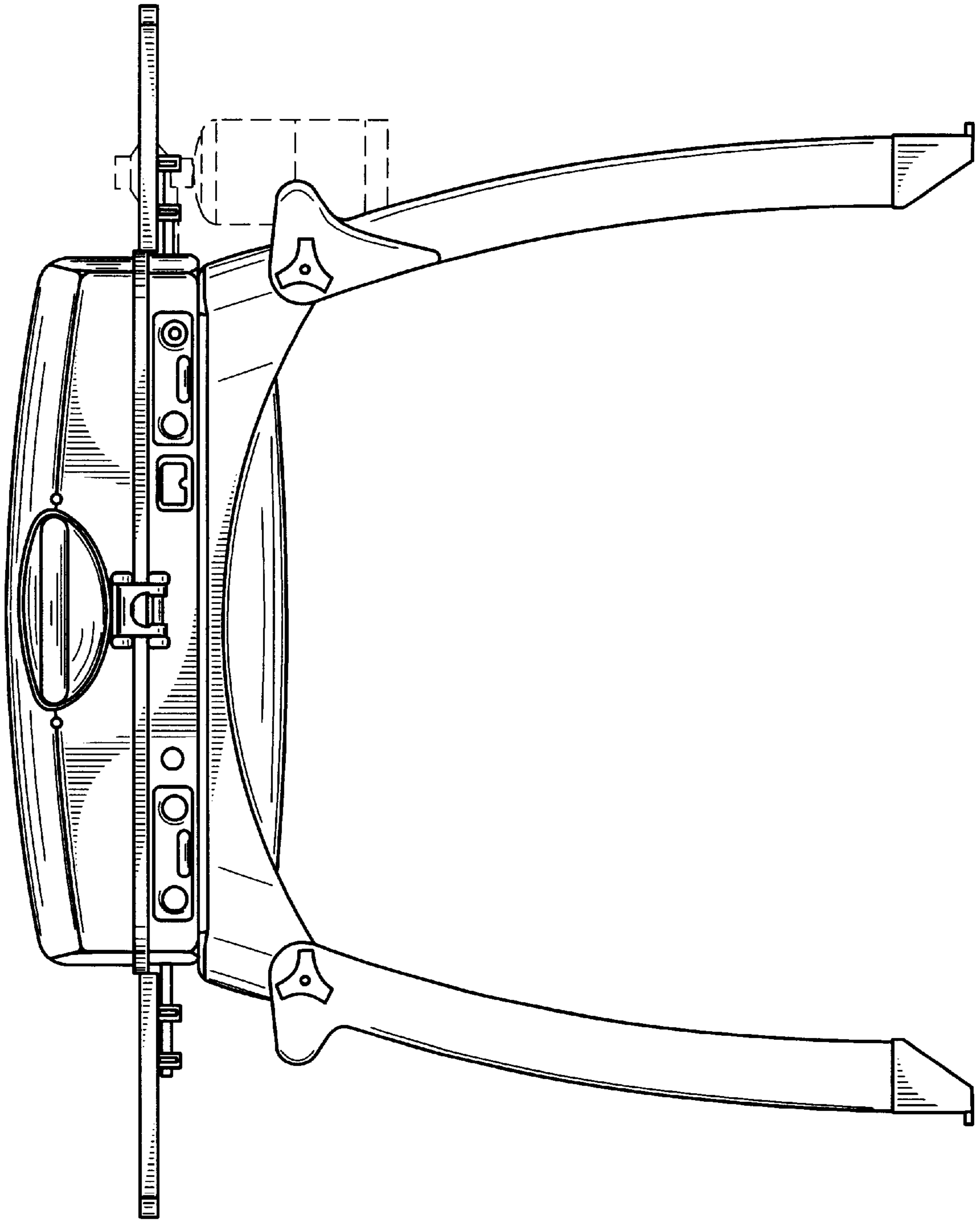


Fig. 4

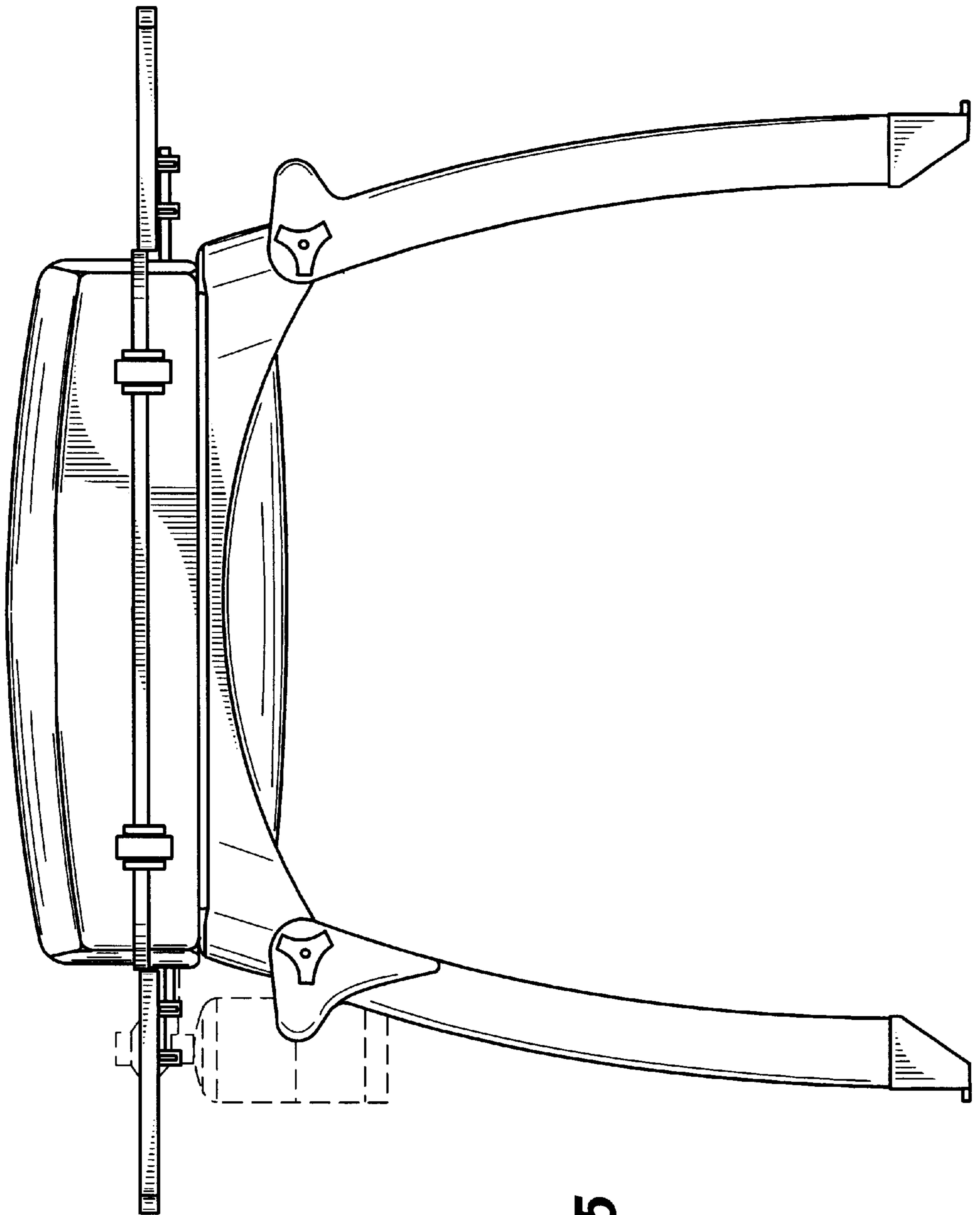


Fig. 5

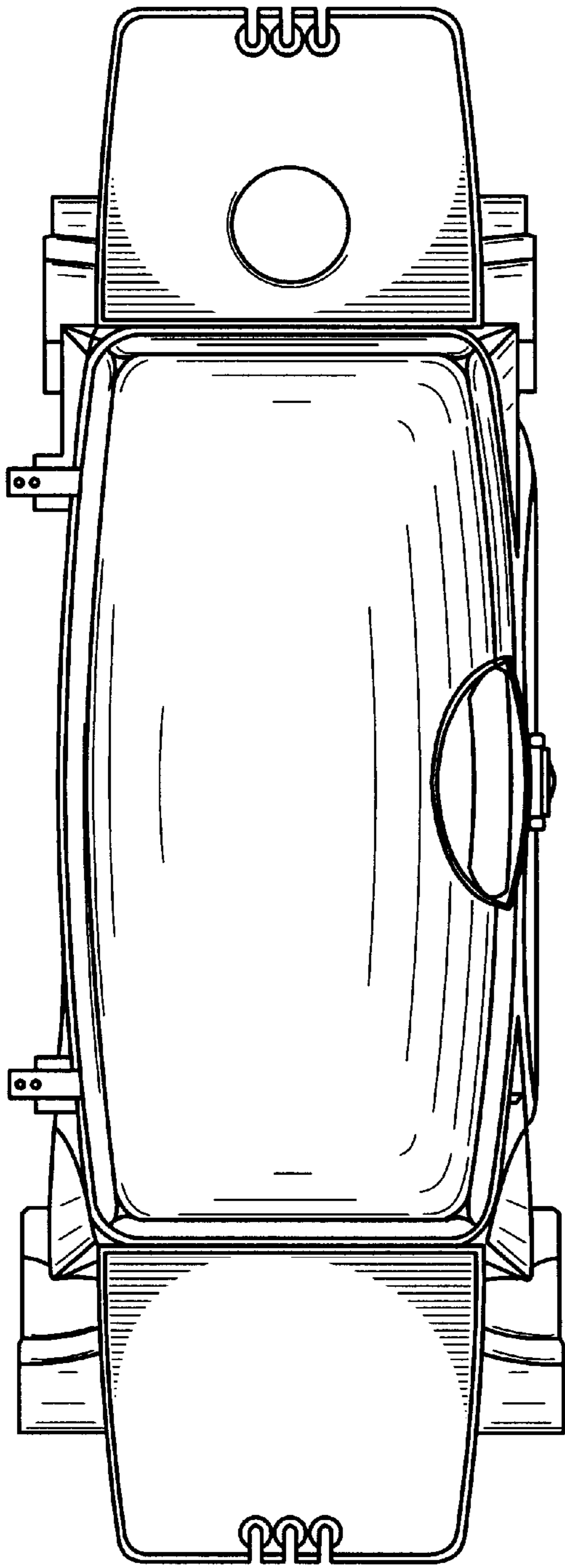


Fig. 6

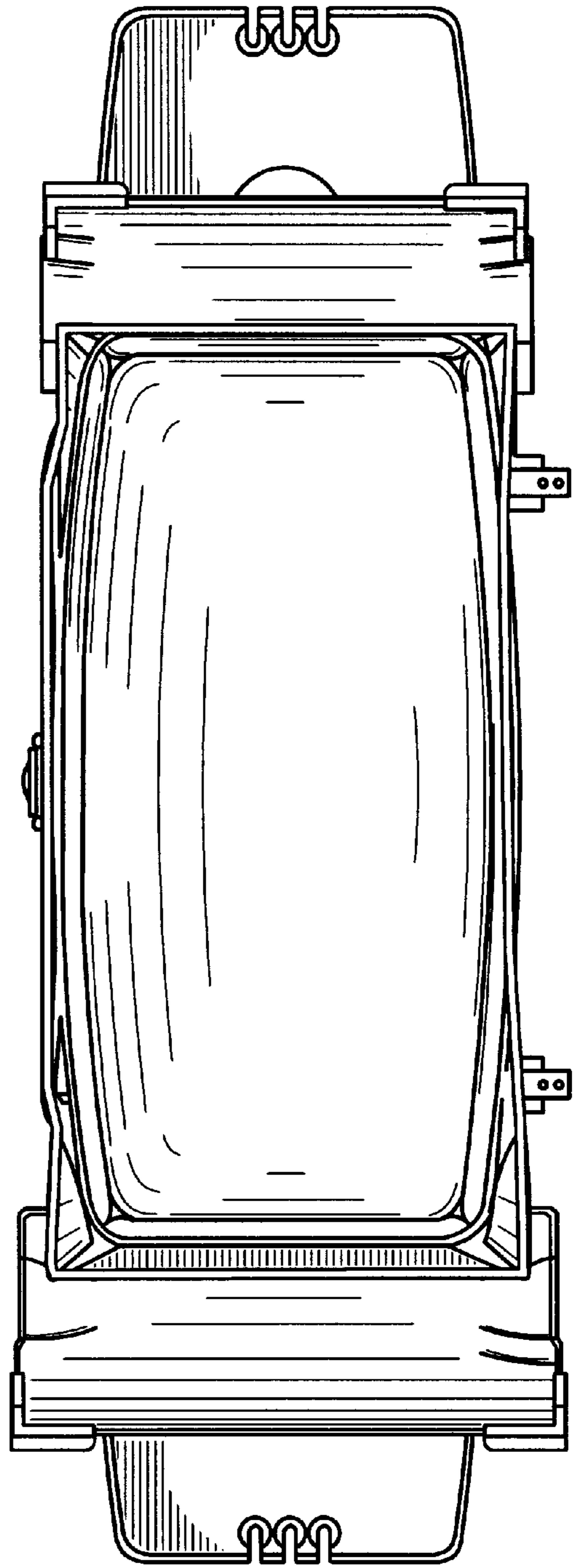


Fig. 7